



US00D758459S

(12) **United States Design Patent**  
**Hooijmans**

(10) **Patent No.:** **US D758,459 S**  
(45) **Date of Patent:** **\*\* \*Jun. 7, 2016**

(54) **WING FOR GROUND ENGAGING MACHINE IMPLEMENT**

(56) **References Cited**

(71) Applicant: **CATERPILLAR WORK TOOLS B.V.**,  
s-Hertogenbosch (NL)

(72) Inventor: **Willem Hooijmans**, Maasdriel (NL)

(73) Assignee: **Caterpillar Work Tools B.V.**,  
s-Hertogenbosch (NL)

(\*) Notice: This patent is subject to a terminal disclaimer.

(\*\*) Term: **14 Years**

(21) Appl. No.: **29/500,711**

(22) Filed: **Aug. 27, 2014**

(30) **Foreign Application Priority Data**

Feb. 28, 2014 (EM) ..... 002415661-0002

(51) **LOC (10) Cl.** ..... **15-03**

(52) **U.S. Cl.**  
USPC ..... **D15/28**

(58) **Field of Classification Search**

USPC ..... D15/11, 21, 28, 29, 32; 172/172, 701.2,  
172/701.3, 713, 719, 772.5, 770, 771;  
37/444, 446, 449, 452-456, 448, 903  
CPC ..... E02F 9/2833; E02F 9/2825; E02F 9/2883;  
E02F 9/2841; E02F 9/28; E02F 3/40; E21C  
35/183; Y10Y 403/7069; Y10Y 403/7018;  
Y10Y 403/587

See application file for complete search history.

U.S. PATENT DOCUMENTS

|              |    |   |         |                 |       |        |
|--------------|----|---|---------|-----------------|-------|--------|
| D242,162     | S  | * | 11/1976 | Dahlberg        | ..... | D15/32 |
| D242,274     | S  | * | 11/1976 | Dahlberg        | ..... | D15/28 |
| 4,047,312    | A  | * | 9/1977  | Stepe           | ..... | 37/448 |
| D246,176     | S  | * | 10/1977 | Dahlberg et al. | ..... | D15/32 |
| 6,799,388    | B2 | * | 10/2004 | Weaver et al.   | ..... | 37/448 |
| D676,066     | S  | * | 2/2013  | Attwood et al.  | ..... | D15/28 |
| D676,067     | S  | * | 2/2013  | Attwood et al.  | ..... | D15/28 |
| 2013/0185964 | A1 | * | 7/2013  | Anisy et al.    | ..... | 37/453 |
| 2014/0082976 | A1 | * | 3/2014  | Vicq et al.     | ..... | 37/453 |
| 2014/0082977 | A1 | * | 3/2014  | Pilon           | ..... | 37/453 |

\* cited by examiner

*Primary Examiner* — Mark Goodwin

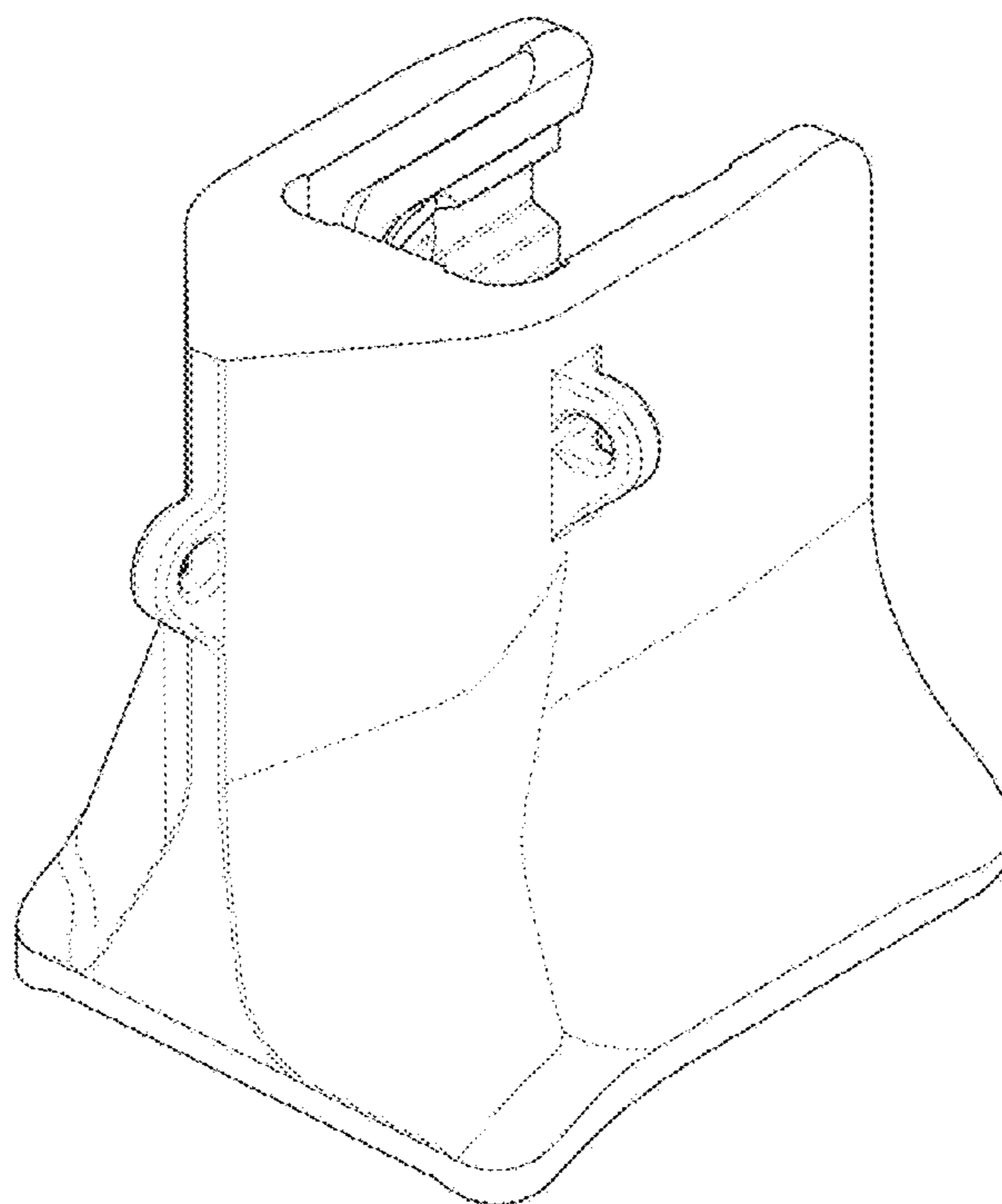
(57) **CLAIM**

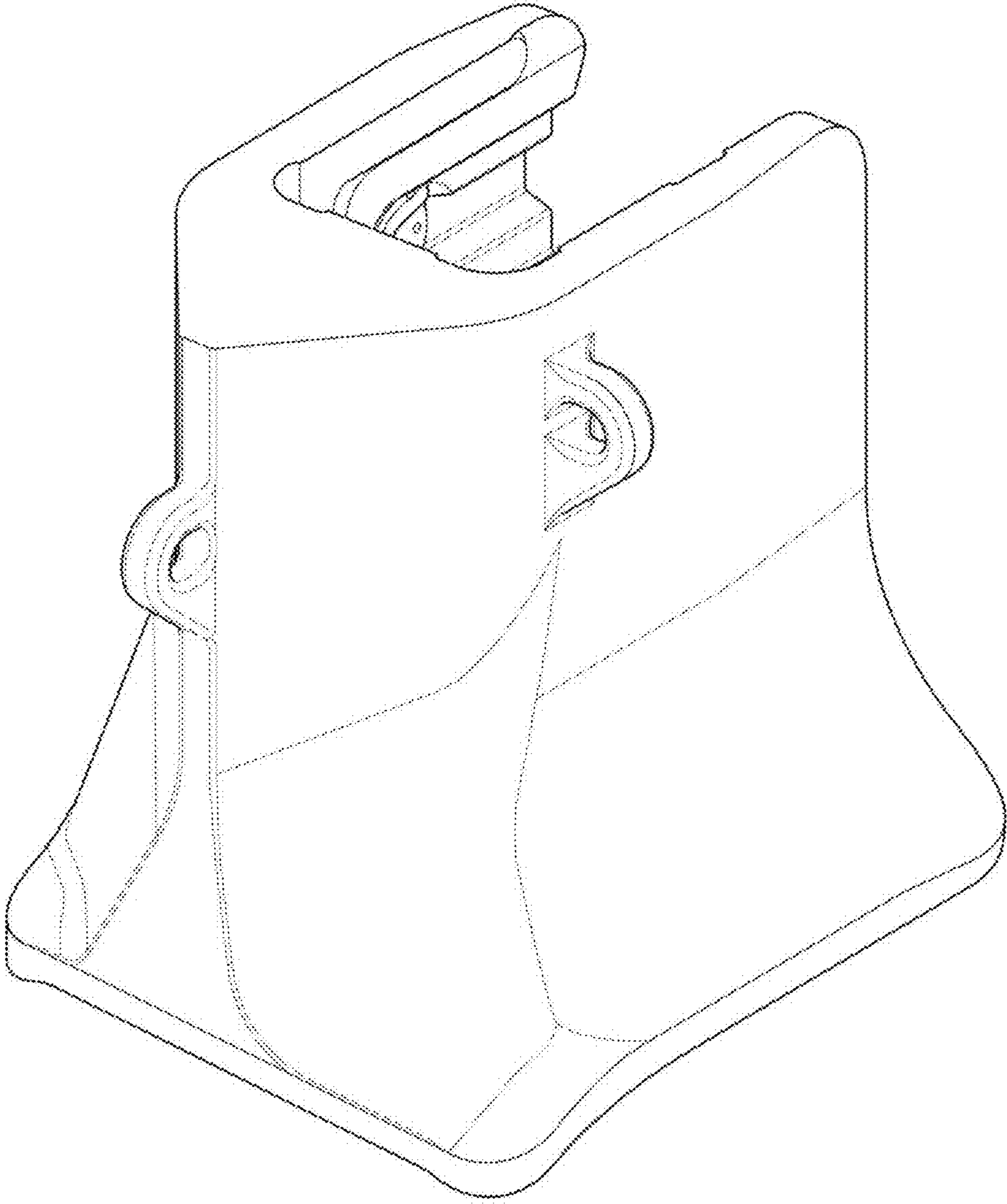
The ornamental design for a wing for ground engaging machine implement, as shown and described.

**DESCRIPTION**

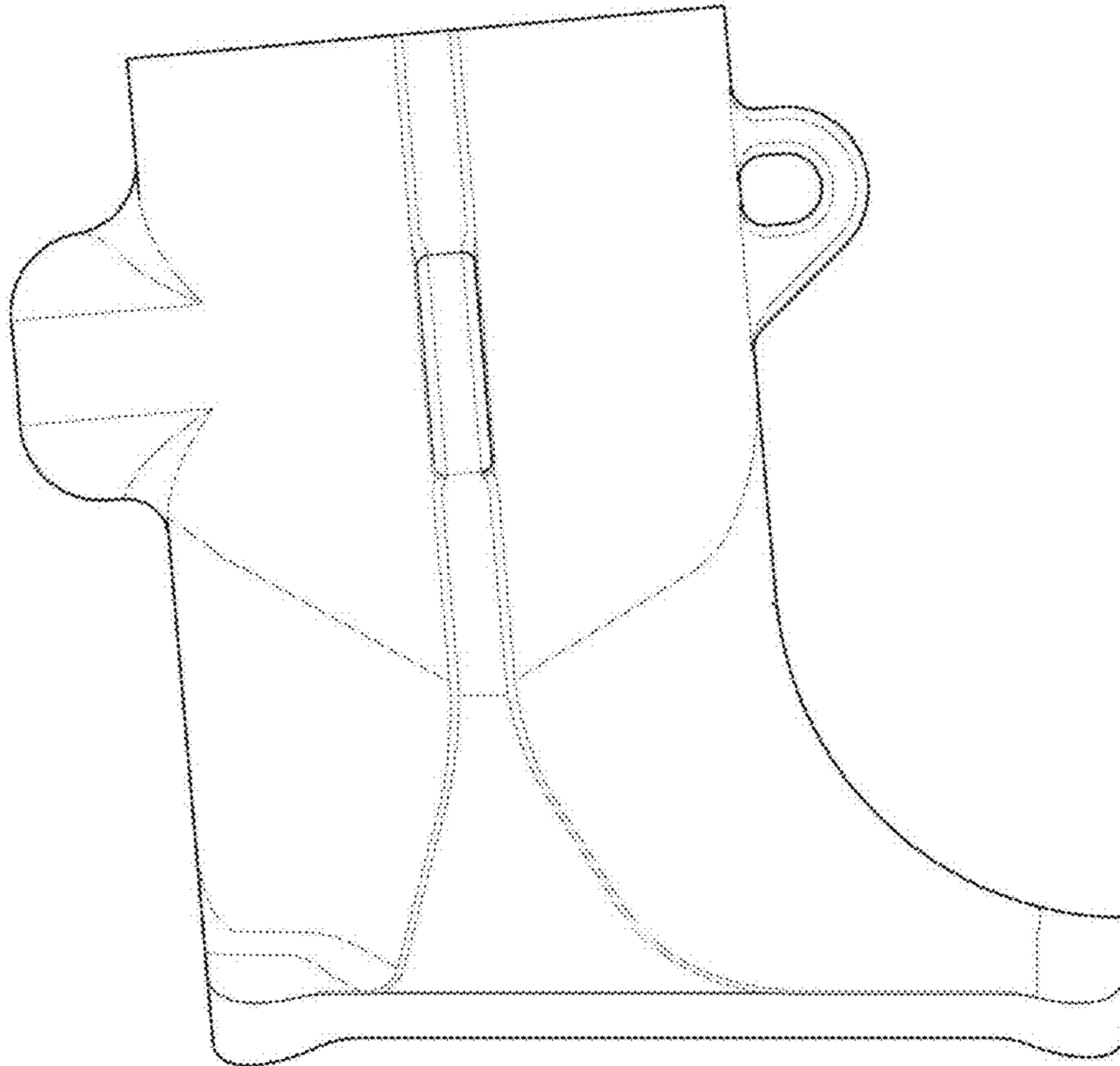
FIG. 1 is a perspective view of a wing for ground engaging machine implement showing my new design;  
FIG. 2 is a front view thereof;  
FIG. 3 is a rear view thereof;  
FIG. 4 is a left side view thereof;  
FIG. 5 is a right side view thereof;  
FIG. 6 is a top view thereof; and,  
FIG. 7 is a bottom view thereof.  
The drawings include cad lines which represent contour, not surface ornamentation.

**1 Claim, 7 Drawing Sheets**

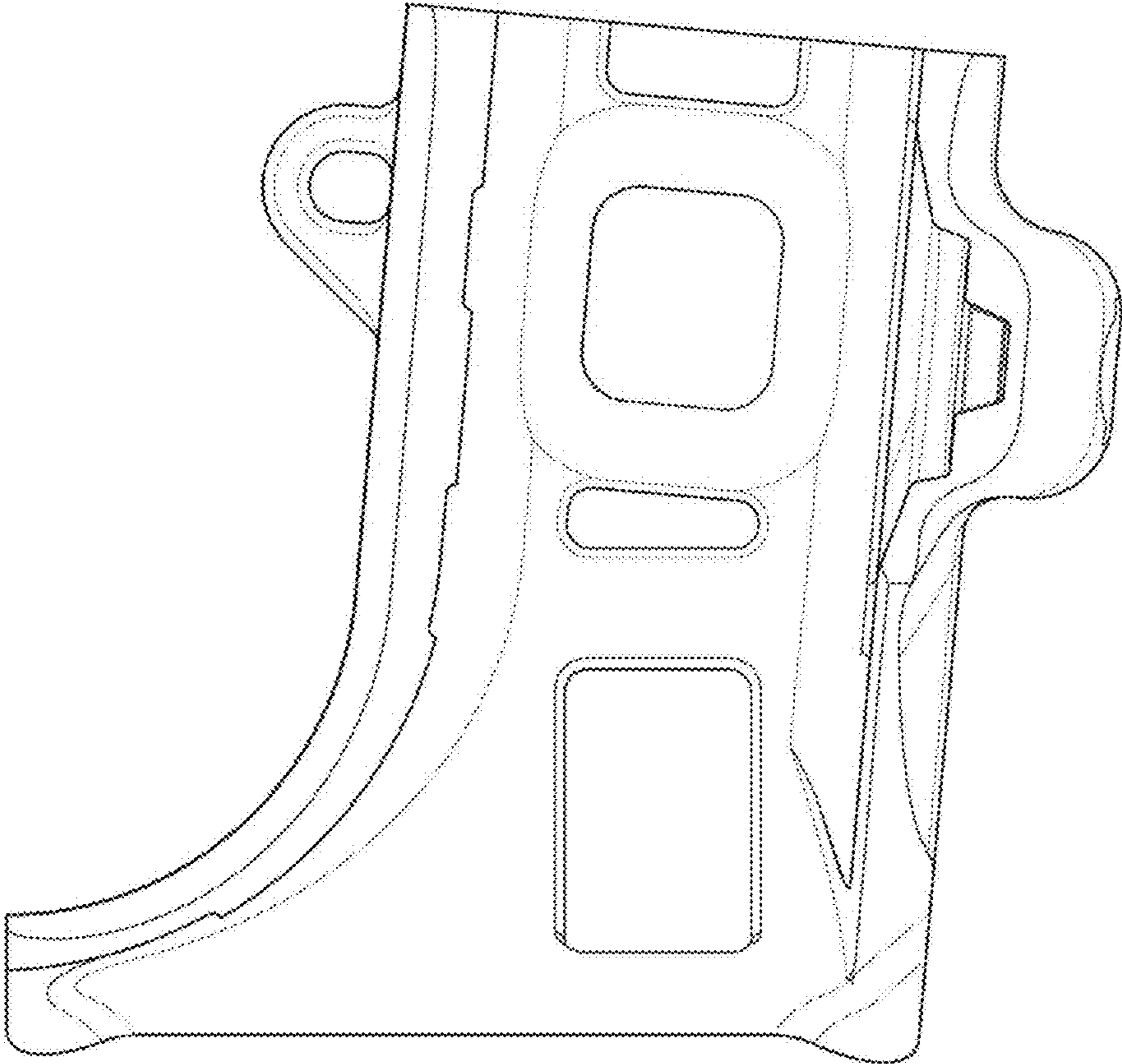




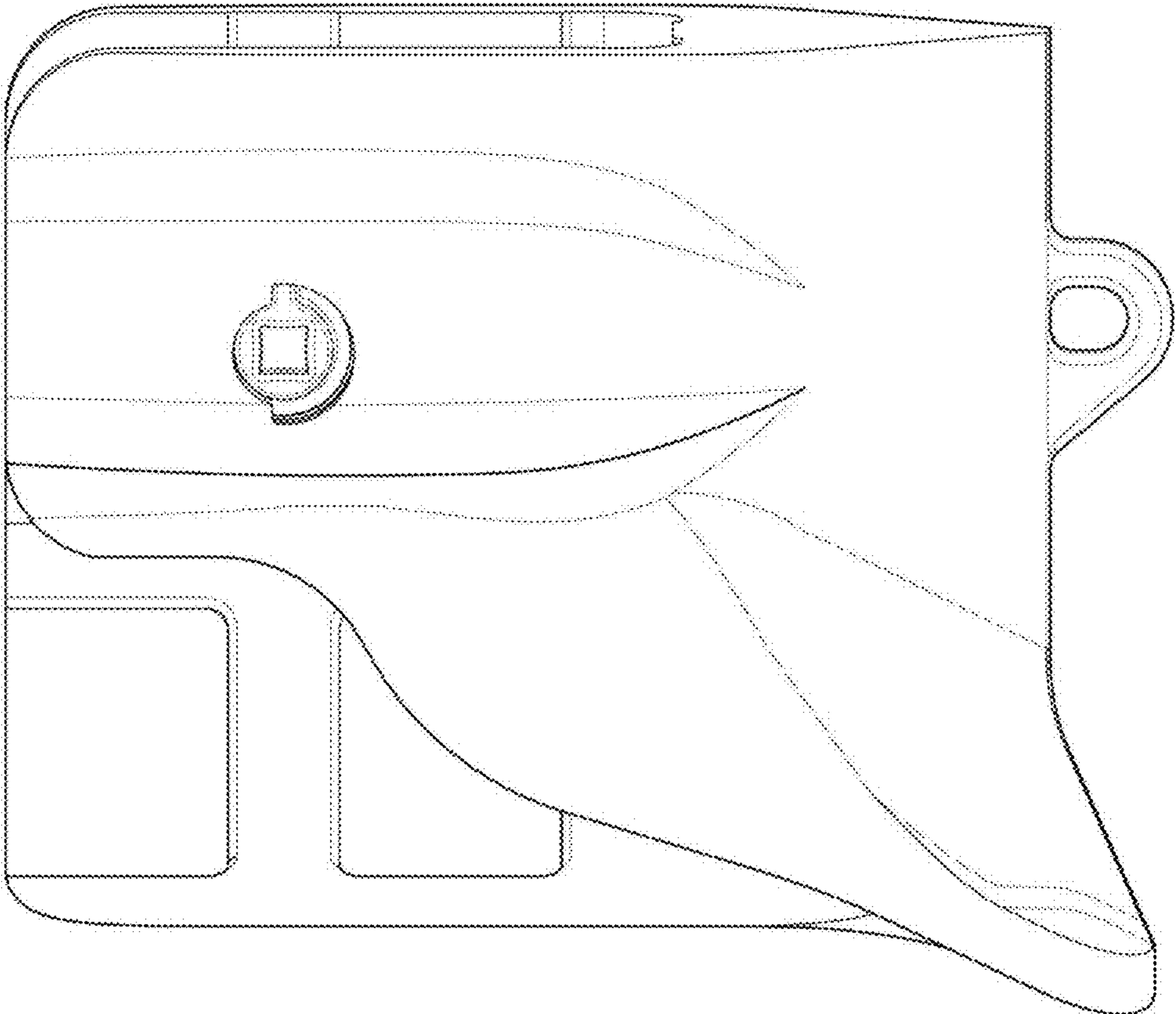
**Fig. 1**



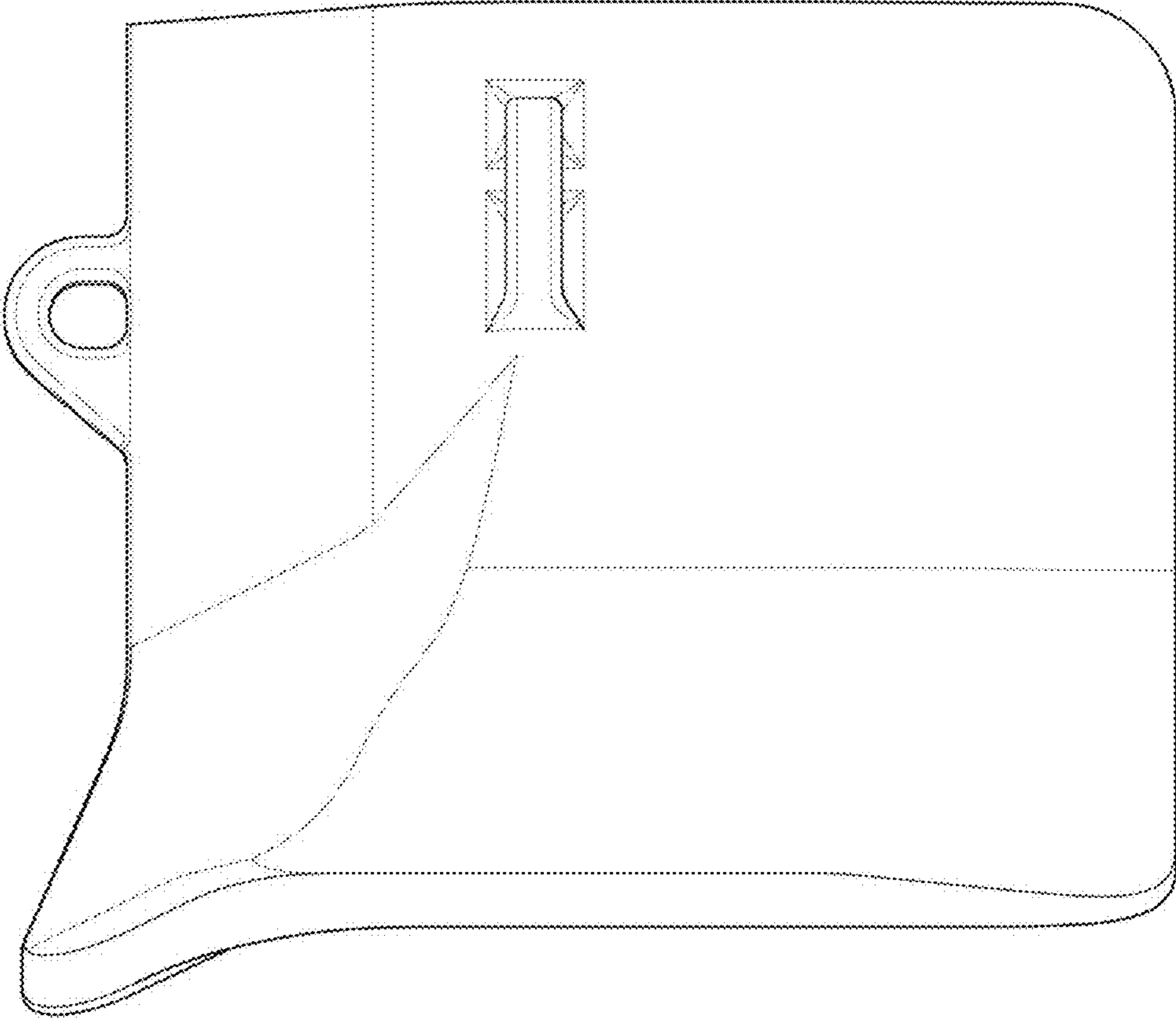
**Fig. 2**



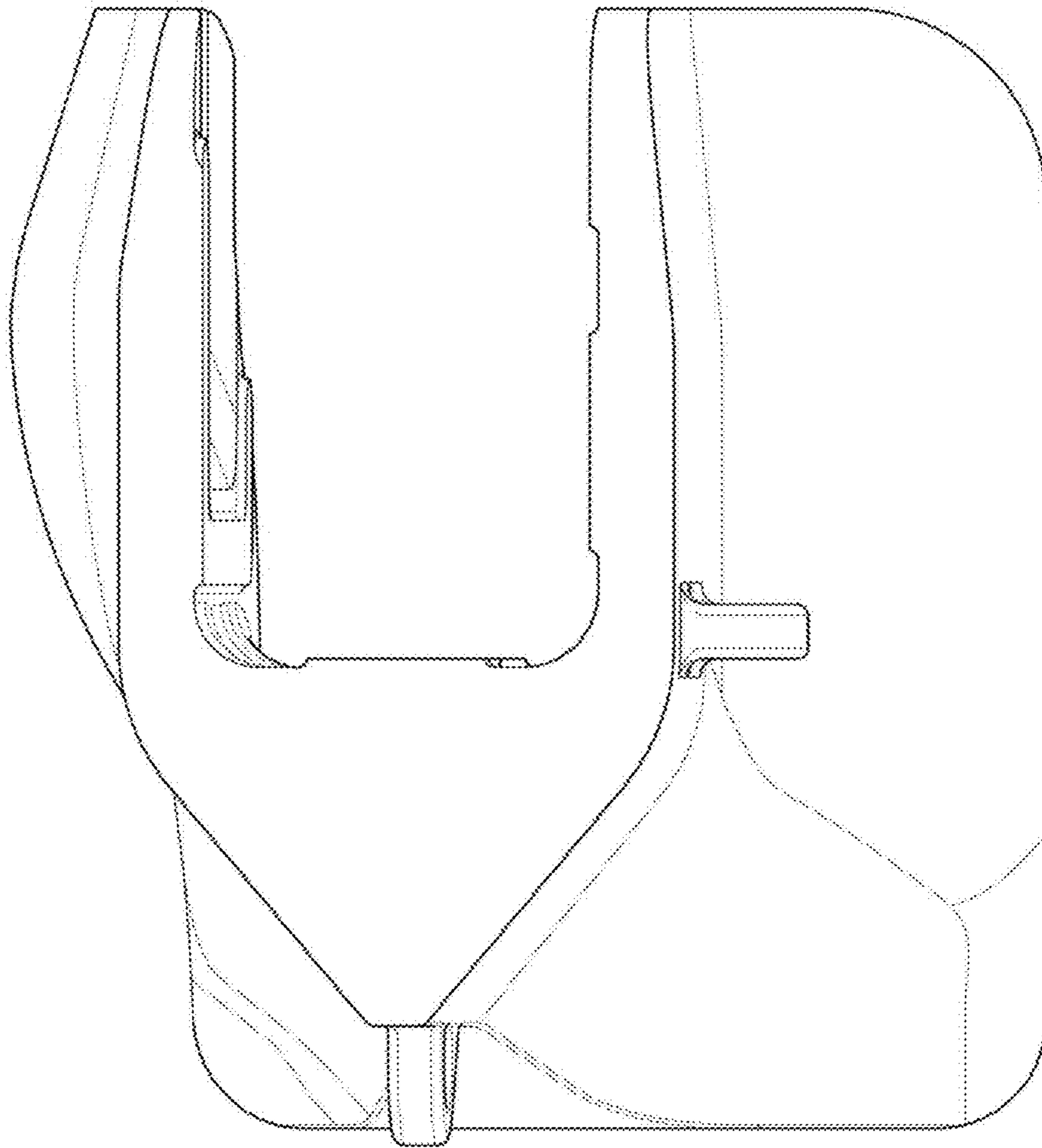
**Fig. 3**



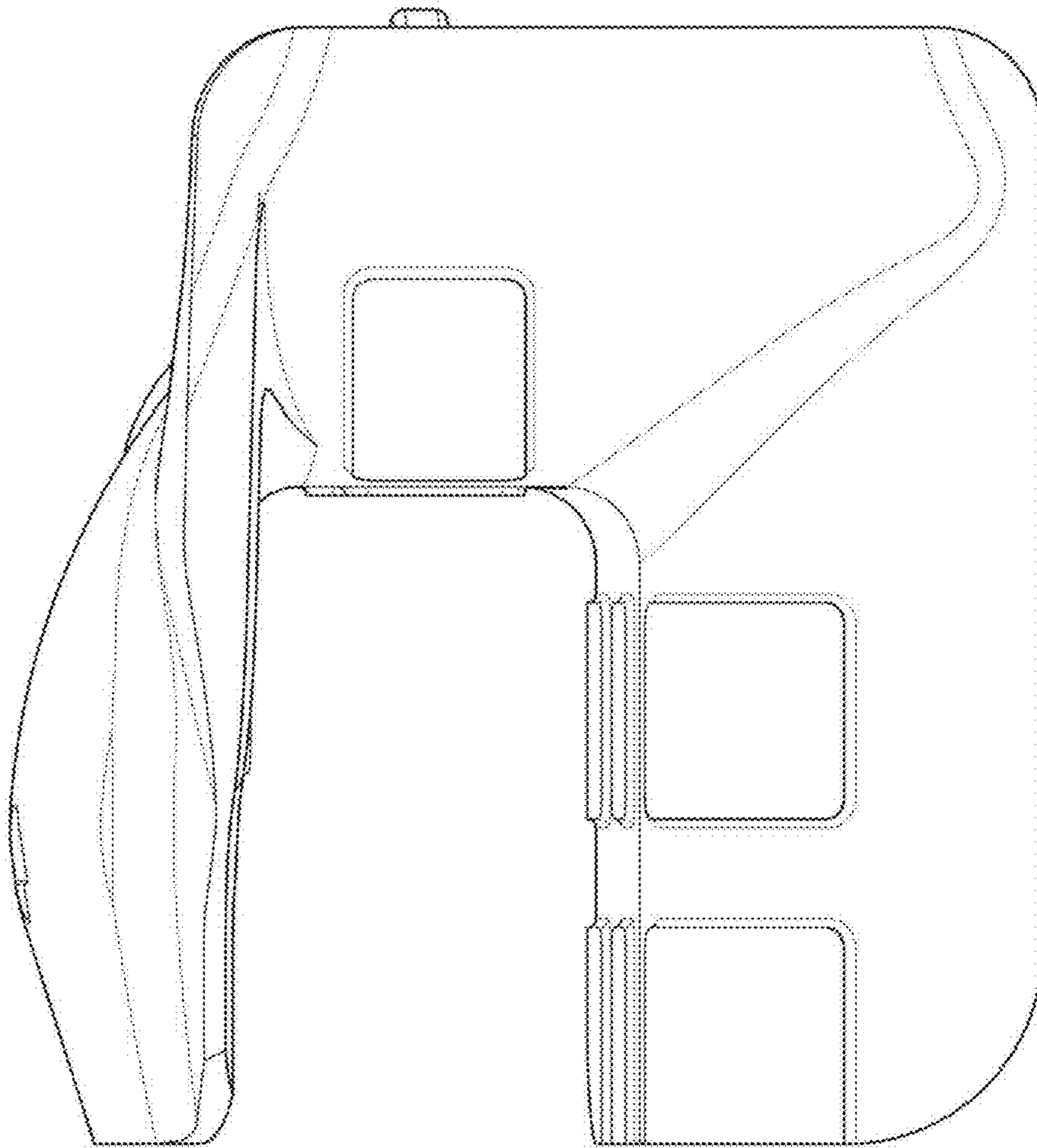
**Fig. 4**



**Fig. 5**



**Fig. 6**



**Fig. 7**