



US00D758458S

(12) **United States Design Patent**
Anderson et al.

(10) **Patent No.:** **US D758,458 S**
(45) **Date of Patent:** **** Jun. 7, 2016**

(54) **AGRICULTURAL PLANTER**

(71) Applicant: **CNH Industrial America LLC**, New Holland, PA (US)

(72) Inventors: **Brian J. Anderson**, Yorkville, IL (US); **Larry B. Griffey**, Elgin, IL (US); **Travis L. Harnetiaux**, Bourbonnais, IL (US); **Marvin A. Prickel**, Homer Glen, IL (US); **Michael J. Connors**, Lockport, IL (US)

(73) Assignee: **CNH Industrial America LLC**, New Holland, PA (US)

(**) Term: **15 Years**

(21) Appl. No.: **29/531,802**

(22) Filed: **Jun. 30, 2015**

(51) **LOC (10) Cl.** **15-03**

(52) **U.S. Cl.**
USPC **D15/27**; D15/10

(58) **Field of Classification Search**
USPC D15/10, 12, 27, 28; 56/15.8, 15.9; 172/311, 210, 466, 484, 456, 481, 605, 172/626, 776, 507; 280/411.1, 412, 413, 280/415 A, 415 R, 482, 656
CPC A01B 73/065; A01B 73/005; A01B 73/00; A01B 73/02; A01B 73/04; A01B 73/06; A01C 7/208; A01C 7/18; A01C 7/00; A01C 7/20; Y10S 111/921; Y10S 111/923; Y10S 111/924; Y10S 111/925

See application file for complete search history.

6,502,645 B1 * 1/2003 Brueggen A01B 73/065 111/57

D469,782 S * 2/2003 Paluch D15/10

6,935,254 B2 * 8/2005 Ostrander A01B 73/065 111/174

D559,868 S * 1/2008 Nanlawala D15/10

D627,373 S * 11/2010 Prickel D15/10

D629,426 S * 12/2010 Prickel D15/10

D629,427 S * 12/2010 Prickel D15/10

D631,068 S * 1/2011 Prickel D15/10

D680,559 S * 4/2013 Blunier D15/10

2003/0164126 A1 * 9/2003 Paluch A01C 7/208 111/57

2003/0164127 A1 * 9/2003 Paluch A01B 61/044 111/200

2009/0178600 A1 * 7/2009 Horn A01C 15/006 111/52

2009/0199750 A1 * 8/2009 Rice A01C 19/04 111/52

2009/0229501 A1 * 9/2009 Jaime A01B 73/065 111/55

2010/0101812 A1 * 4/2010 Friggstad A01B 73/065 172/311

2010/0101813 A1 * 4/2010 Friggstad A01B 73/065 172/311

2010/0126742 A1 * 5/2010 Poole A01B 73/065 172/311

2010/0126743 A1 * 5/2010 Poole A01C 7/208 172/311

2010/0126744 A1 * 5/2010 Poole A01C 7/208 172/311

* cited by examiner

Primary Examiner — Mark Goodwin
(74) *Attorney, Agent, or Firm* — Rebecca L. Henkel

(57) **CLAIM**
The ornamental design for the agricultural planter, as shown and described.

DESCRIPTION

FIG. 1 is a perspective view of the agricultural planter showing our new design, the portion in phantom lines in the figures forming no part of the claimed invention;
FIG. 2 is a top view thereof;
FIG. 3 is a bottom view thereof;
FIG. 4 is front view thereof;
FIG. 5 is a rear view thereof;
FIG. 6 is a side view thereof; and,
FIG. 7 is an opposite side view thereof.

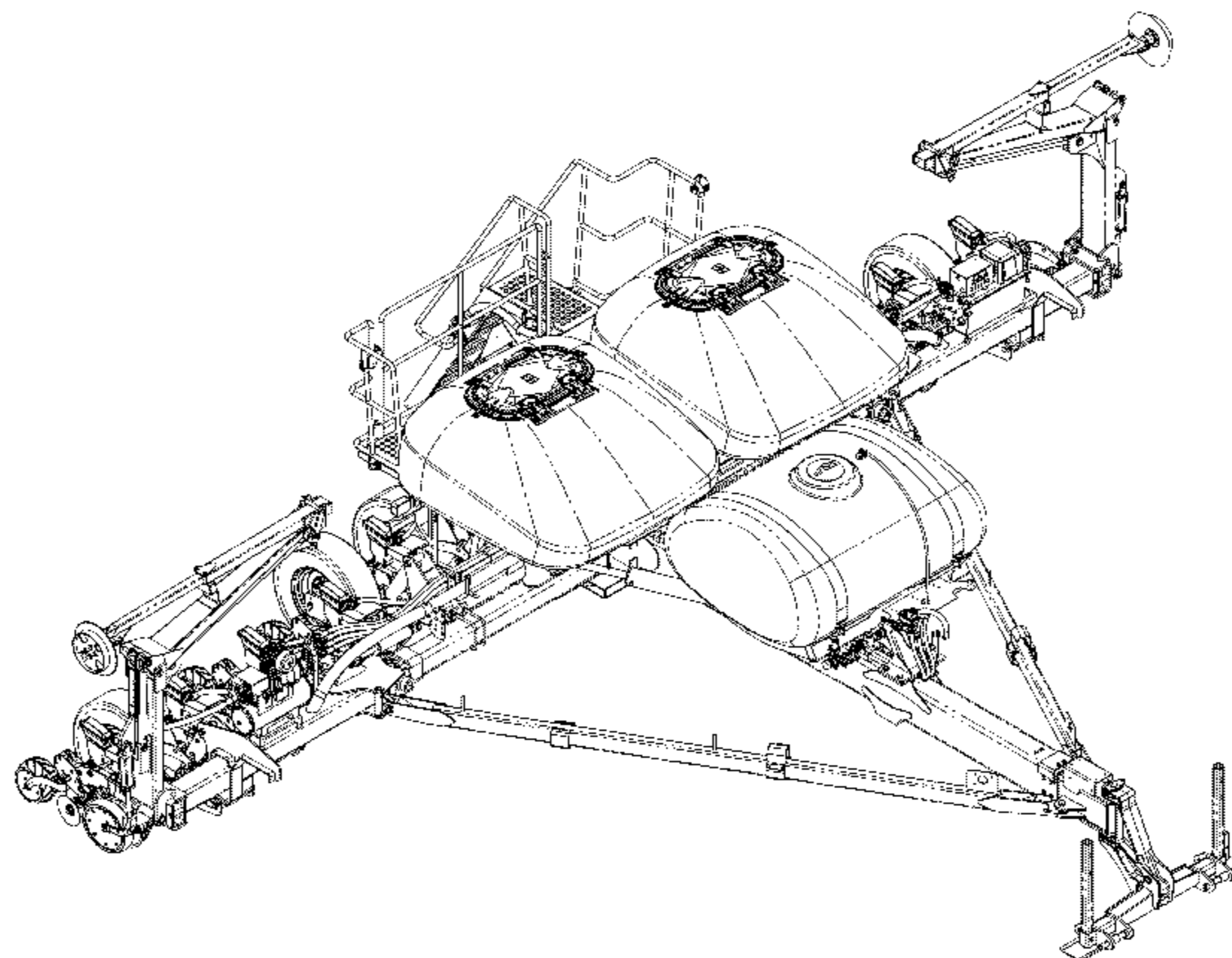
1 Claim, 6 Drawing Sheets

(56) **References Cited**
U.S. PATENT DOCUMENTS

5,232,054 A * 8/1993 Van Blaricon A01B 73/065 172/311

6,076,613 A * 6/2000 Frasier A01B 73/065 111/57

6,213,034 B1 * 4/2001 Raducha A01B 73/005 111/55



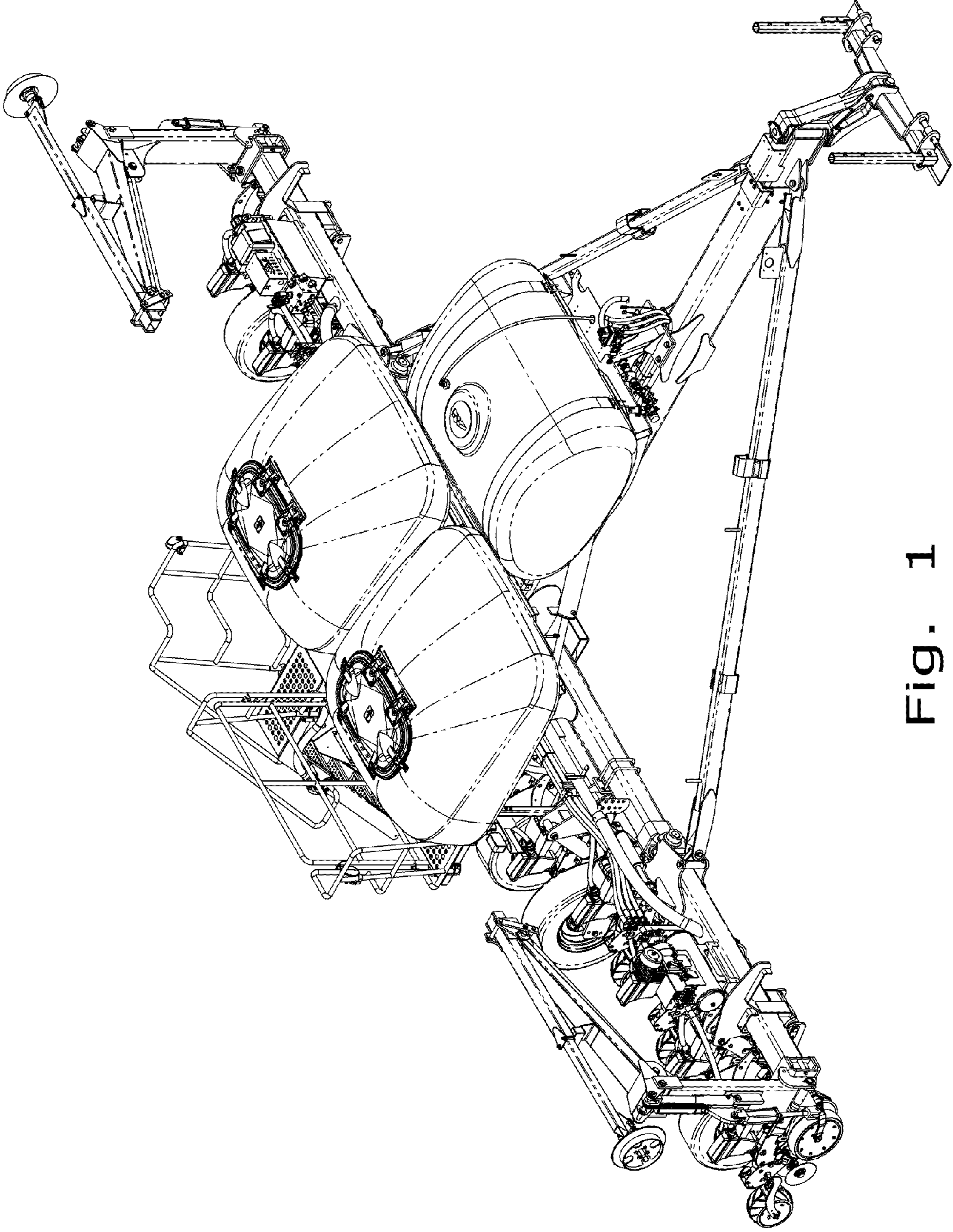


Fig. 1

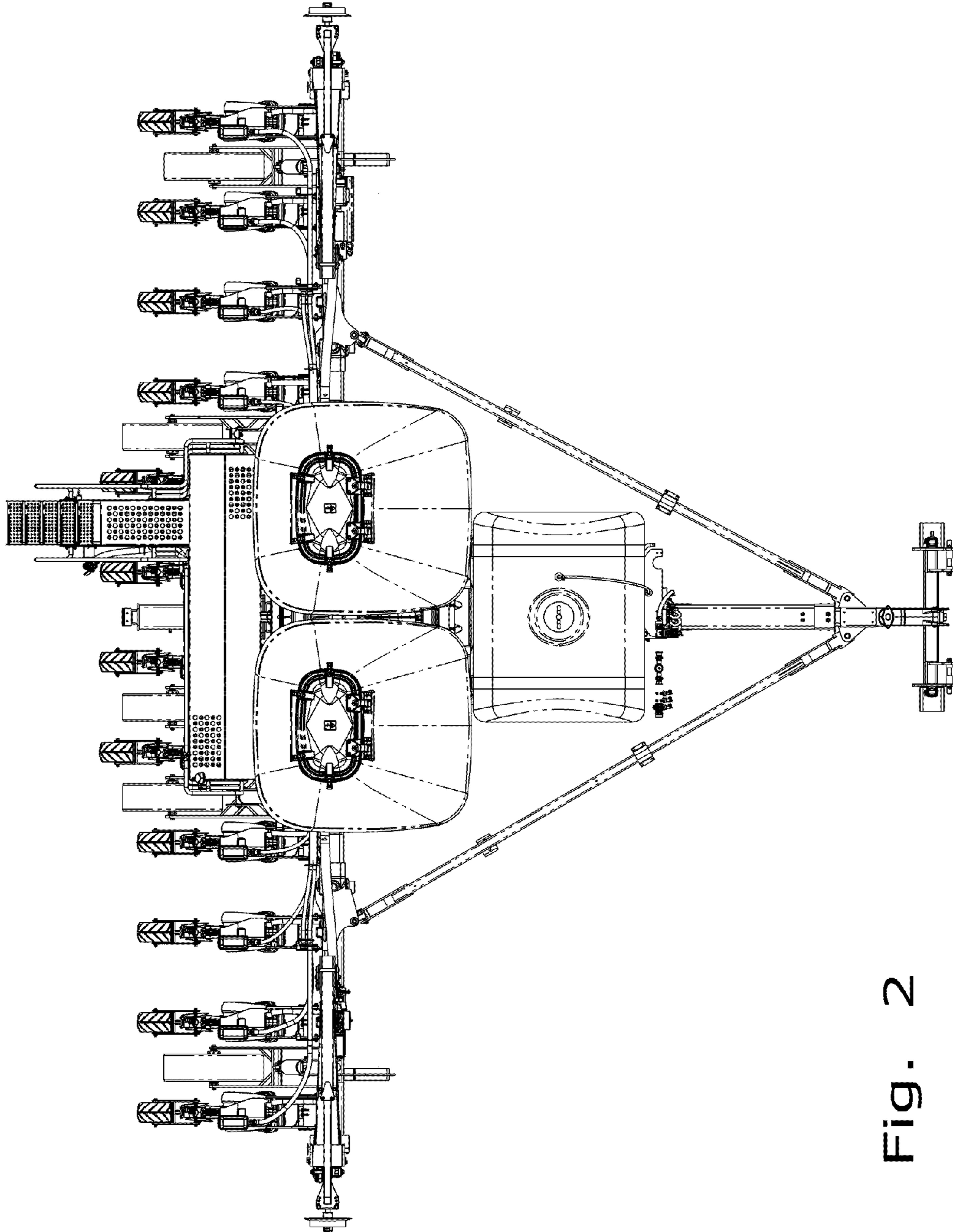


Fig. 2

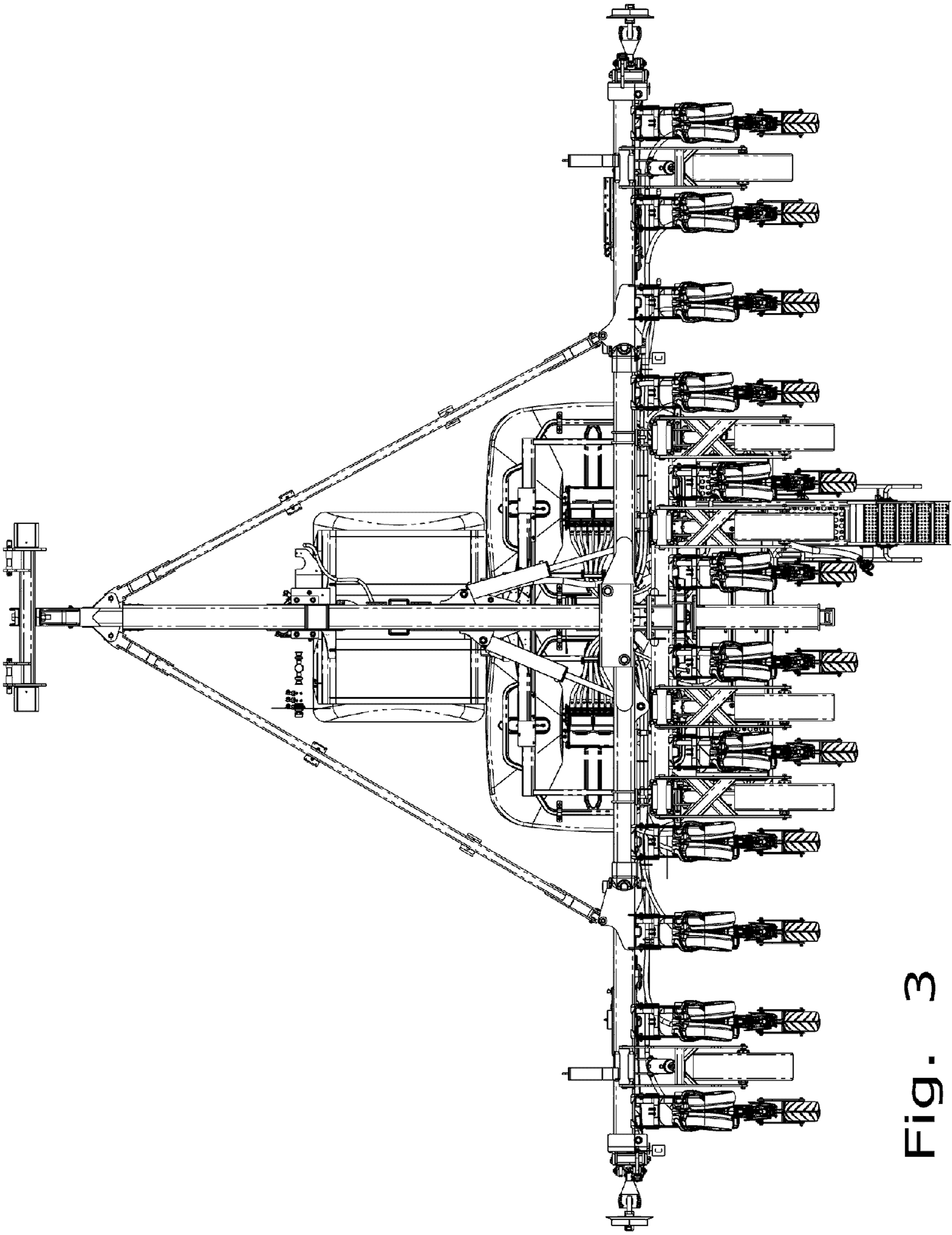


Fig. 3

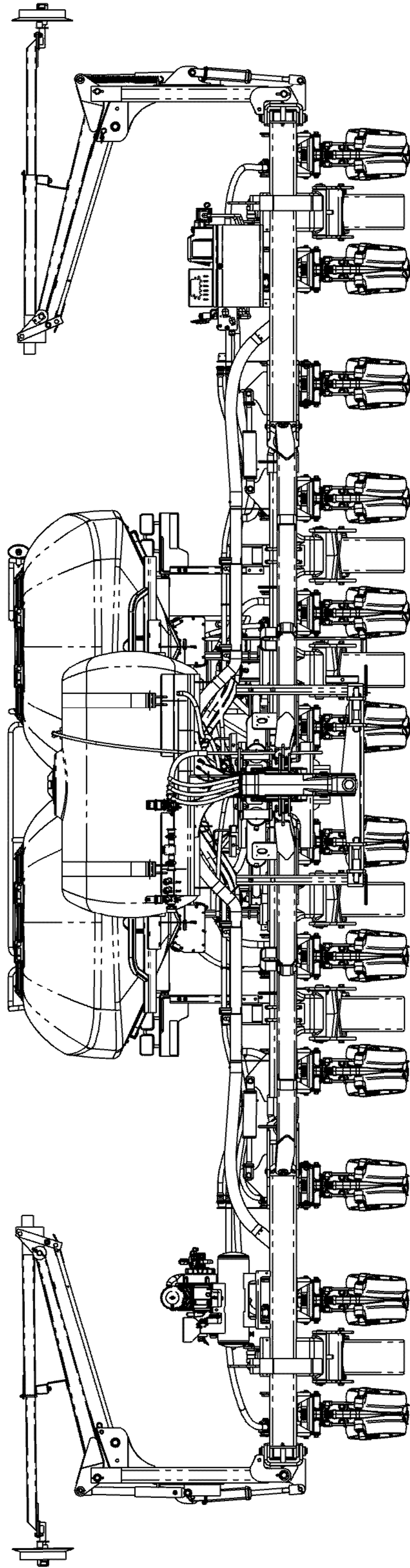


Fig. 4

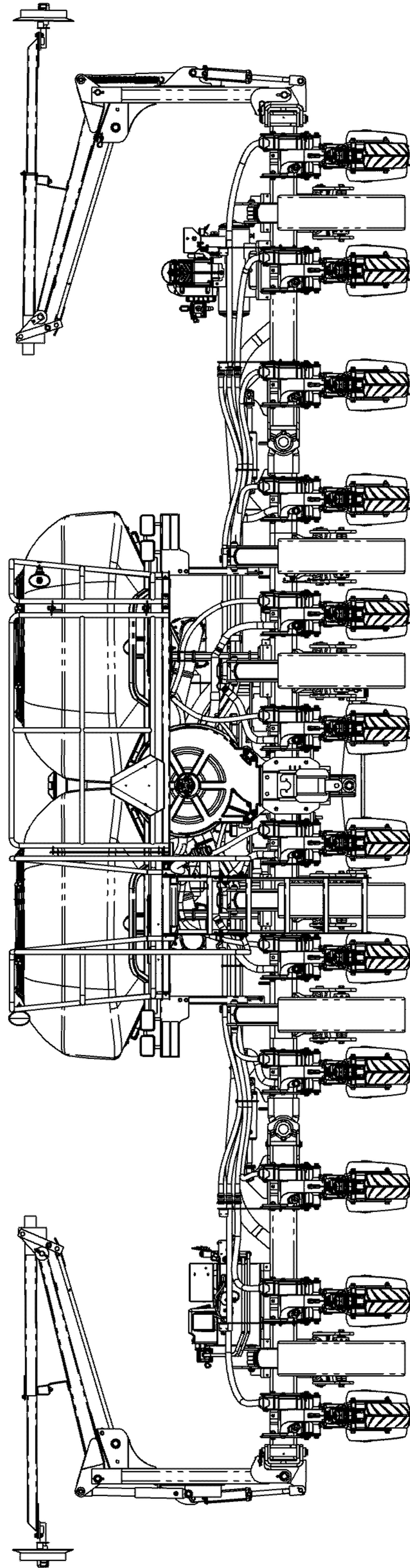


Fig. 5

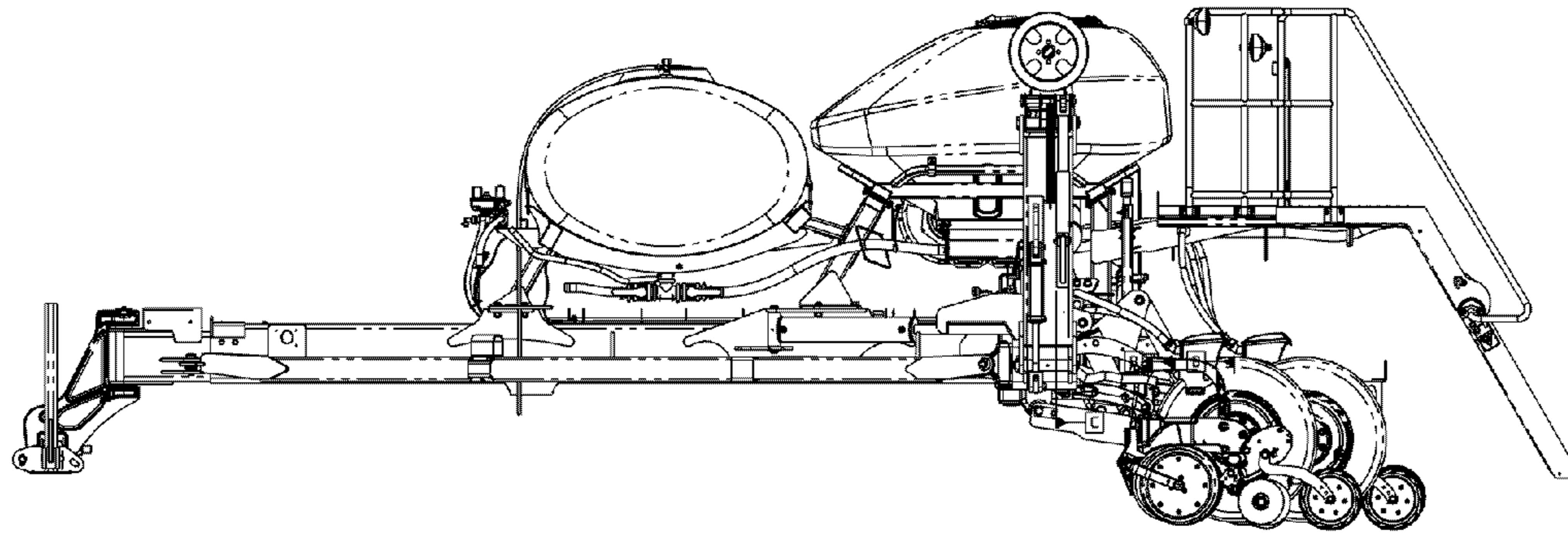


Fig. 6

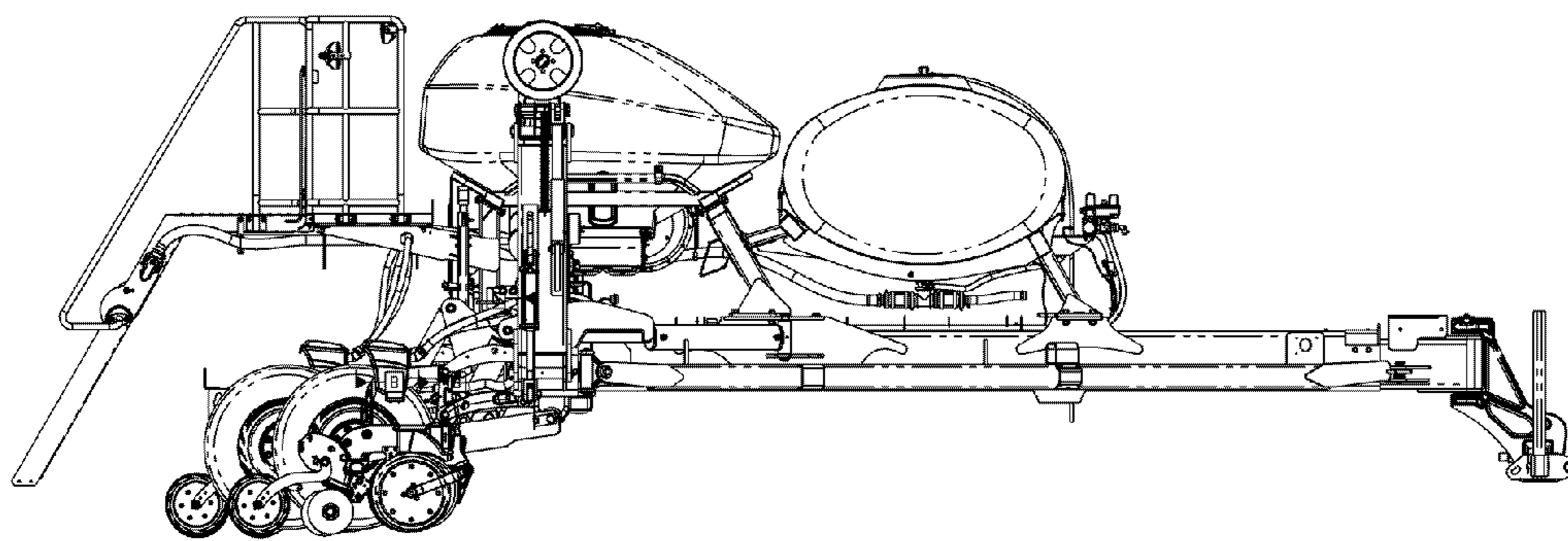


Fig. 7