



US00D758456S

(12) **United States Design Patent**
Poole et al.

(10) **Patent No.:** **US D758,456 S**
(45) **Date of Patent:** **** Jun. 7, 2016**

(54) **MULCHING BLADE**
(71) Applicant: **Husqvarna AB**, Huskvarna (SE)
(72) Inventors: **James R. Poole**, Salisbury, NC (US);
David Briney, Charlotte, NC (US)
(73) Assignee: **HUSQVARNA AB**, Huskvarna (SE)
(**) Term: **14 Years**
(21) Appl. No.: **29/513,603**
(22) Filed: **Jan. 2, 2015**
(51) **LOC (10) Cl.** **15-03**
(52) **U.S. Cl.**
USPC **D15/17**
(58) **Field of Classification Search**
USPC D15/14-18, 32; D8/20; 30/347, 276,
30/390; 56/295, 255, 289, 13.4, 17.5,
56/DIG. 19, DIG. 20
CPC A01D 34/005; A01D 34/73; A01D 34/13;
A01D 34/40; A01D 34/10; A01D 34/73352;
A01D 34/42; A01D 34/00; A01D 34/826;
A01D 2101/00; Y10S 56/20; Y10S 56/17
See application file for complete search history.

(56) **References Cited**
U.S. PATENT DOCUMENTS
3,780,509 A * 12/1973 Woelffer A01D 34/73
56/295
5,094,065 A * 3/1992 Azbell A01D 34/005
56/255
D357,691 S * 4/1995 Bryant D15/17
5,501,068 A * 3/1996 Martz A01D 34/73
56/255
5,615,542 A * 4/1997 Thorud A01D 34/005
56/255
6,052,979 A * 4/2000 Tutschka A01D 34/005
56/17.5

7,065,946 B2 * 6/2006 Boeck A01D 43/08
56/320.1
D598,475 S 8/2009 Roth
D609,251 S 2/2010 Roth
D622,740 S 8/2010 Roth et al.
D649,981 S 12/2011 Roth et al.
D694,781 S 12/2013 Roth
D694,782 S 12/2013 Roth
D710,396 S * 8/2014 Nie D15/17
D723,589 S * 3/2015 Nishihara D15/17
2005/0172601 A1 * 8/2005 Besogne A01D 34/826
56/295
2005/0229573 A1 * 10/2005 Curran A01D 34/73
56/255

* cited by examiner

Primary Examiner — Mark Goodwin

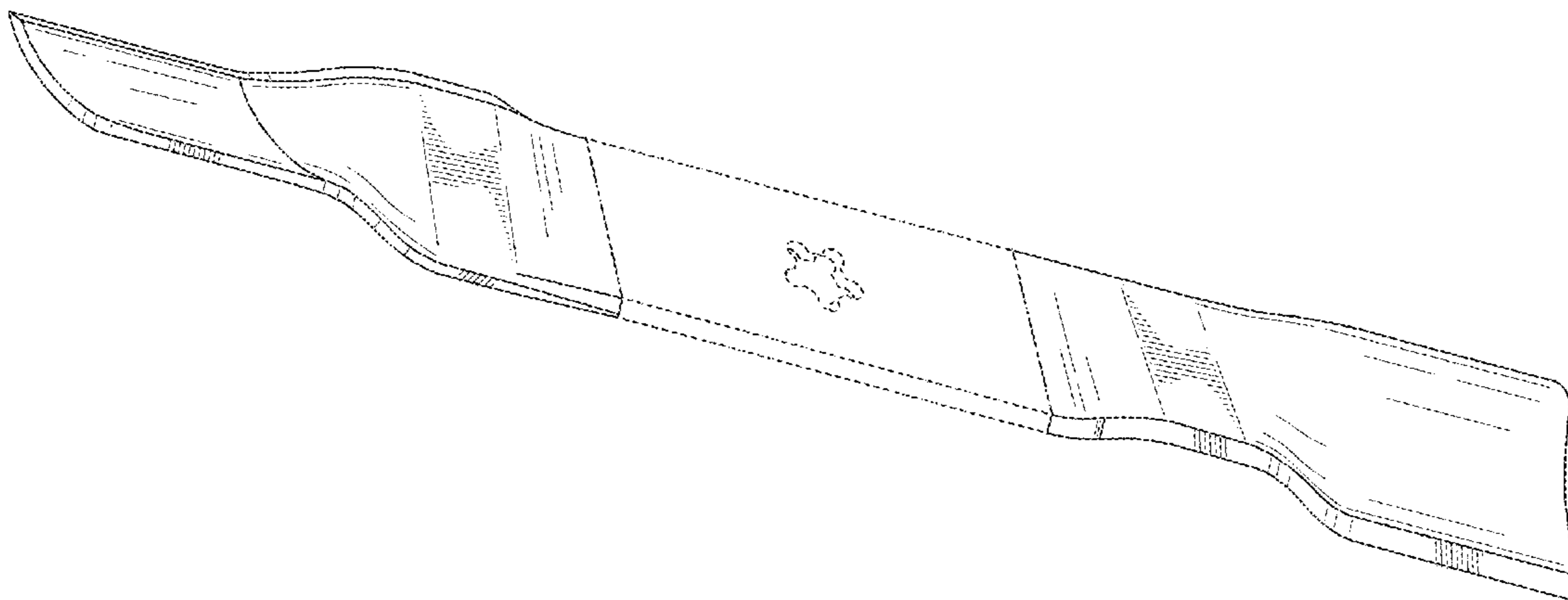
(74) *Attorney, Agent, or Firm* — Nelson Mullins Riley & Scarborough LLP

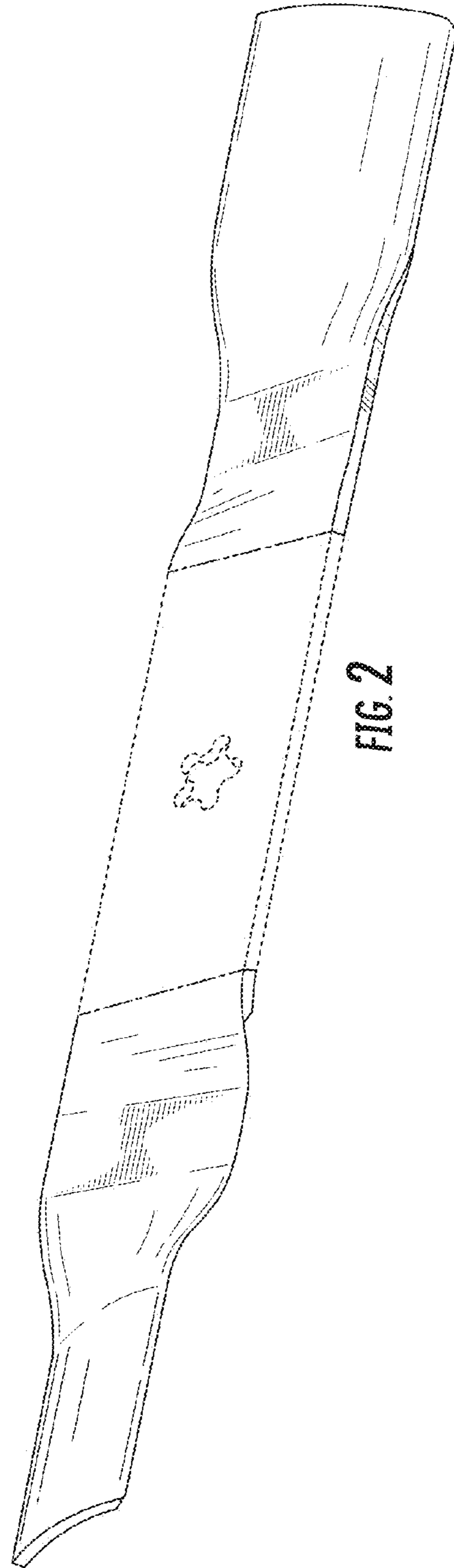
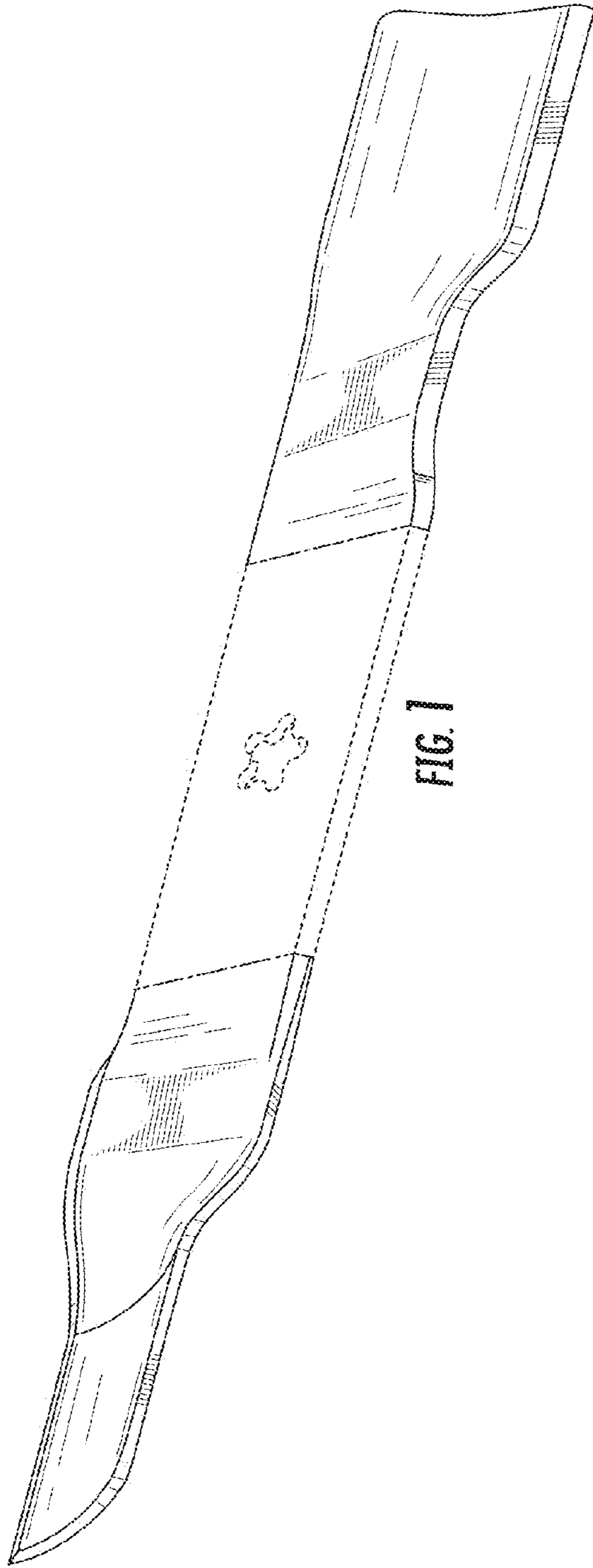
(57) **CLAIM**
The ornamental design for a mulching blade, as shown and described.

DESCRIPTION

FIG. 1 is a top perspective view of a mulching blade in accordance with an embodiment of the present invention; FIG. 2 is a bottom perspective view of the mulching blade of FIG. 1; FIG. 3 is a top view of the mulching blade of FIG. 1; FIG. 4 is a bottom view of the mulching blade of FIG. 1; FIG. 5 is a front side view of the mulching blade of FIG. 1; FIG. 6 is a back side view of the mulching blade of FIG. 1; FIG. 7 is a right side view of the mulching blade of FIG. 1; and, FIG. 8 is a left view of the mulching blade of FIG. 1. The broken lines of FIGS. 1-8 are illustrative of the visible environmental structure of the mulching blade and form no part of the claimed design.

1 Claim, 3 Drawing Sheets





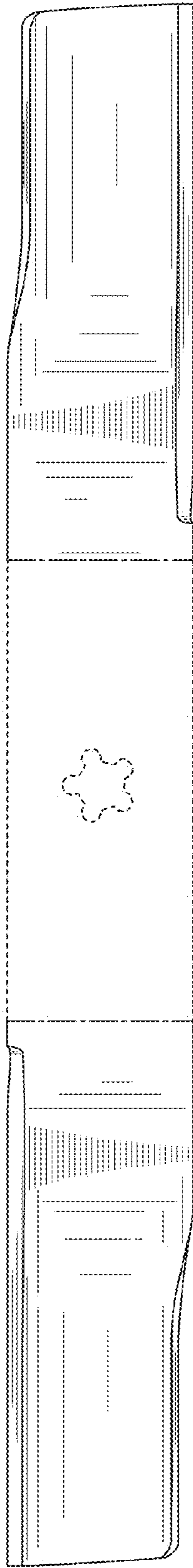


FIG. 3

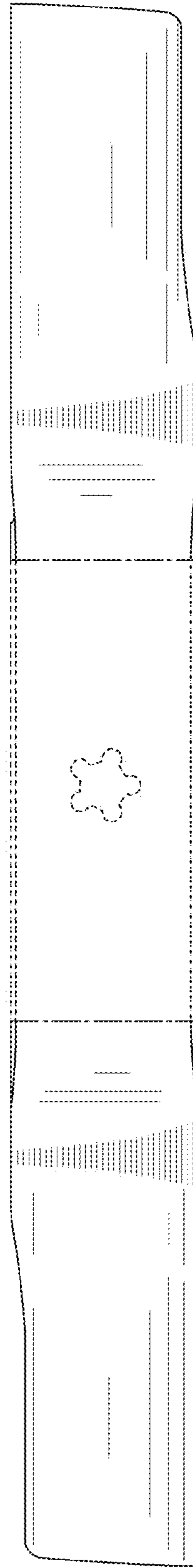


FIG. 4

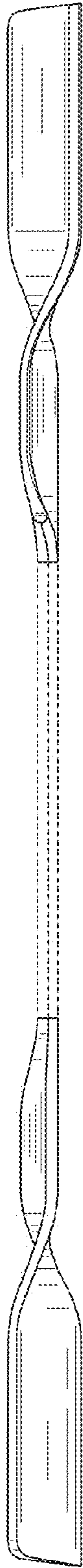


FIG. 5

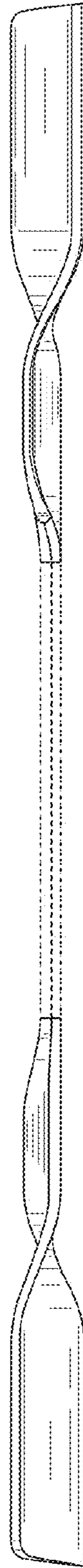


FIG. 6



FIG. 7



FIG. 8