

US00D758452S

(12) **United States Design Patent**
Helgesson et al.

(10) **Patent No.:** **US D758,452 S**
(45) **Date of Patent:** **** Jun. 7, 2016**

(54) **FUEL DISPENSER**

(56) **References Cited**

(71) Applicant: **Wayne Fueling Systems Sweden AB,**
Malmö (SE)
(72) Inventors: **Hanna Helgesson, Dalby (SE); Bengt I.**
Larsson, Malmö (SE)
(73) Assignee: **Wayne Fueling Systems Sweden AB,**
Malmö (SE)
(**) Term: **14 Years**

U.S. PATENT DOCUMENTS

D260,994 S *	9/1981	Resh	D15/9.1
D655,315 S *	3/2012	Helgesson	D15/9.1
D664,997 S *	8/2012	Helgesson	D15/9.1
D667,846 S *	9/2012	Helgesson	D15/9.2
D677,284 S *	3/2013	Helgesson	D15/9.2
D681,681 S *	5/2013	Schmelzer	D15/9.2
D681,682 S *	5/2013	Schmelzer	D15/9.2
D681,683 S *	5/2013	Schmelzer	D15/9.2
D688,274 S *	8/2013	Schmelzer	D15/9.2
D688,275 S *	8/2013	Schmelzer	D15/9.2
D700,917 S *	3/2014	Helgesson	D15/9.2
D727,365 S *	4/2015	Helgesson	D15/9.2

(21) Appl. No.: **29/520,709**

* cited by examiner

(22) Filed: **Mar. 17, 2015**

Primary Examiner — Ralf Seifert

(74) *Attorney, Agent, or Firm* — Mintz Levin Cohn Ferris
Glovsky and Popeo, P.C.

Related U.S. Application Data

(62) Division of application No. 29/449,973, filed on Mar.
15, 2013, now Pat. No. Des. 727,365.

(51) **LOC (10) Cl.** **15-02**

(52) **U.S. Cl.**
USPC **D15/9.2**

(58) **Field of Classification Search**
USPC D15/7-9.3; D23/231, 232, 225; 417/60,
417/235, 265, 321, 355, 358, 363, 359,
417/410.1, 415-416, 405, 900; 60/408,
60/412; 184/26-37; 415/140-147;
123/495, 509
CPC B67D 5/22; B67D 5/12; B67D 5/08;
B67D 5/06; G06F 7/08

See application file for complete search history.

(57) **CLAIM**

The ornamental design for a fuel dispenser, as shown and
described.

DESCRIPTION

FIG. 1 is a perspective view from above illustrating the front
and right side view of a first exemplary embodiment of the
fuel dispenser;
FIG. 2 is a perspective view illustrating the front and left side
view of the fuel dispenser of FIG. 1;
FIG. 3 is a front view of the fuel dispenser of FIG. 1;
FIG. 4 is a rear view of the fuel dispenser of FIG. 1;
FIG. 5 is a right side view of the fuel dispenser of FIG. 1; and,
FIG. 6 is a left side view of the fuel dispenser of FIG. 1.
Where applicable, elements are shown in broken lines herein
for illustrative purposes only, and form no part of the claimed
design. Moreover, the bottom and the top of embodiments of
the fuel dispenser of FIGS. 1-6 form no part of the claimed
design.

1 Claim, 6 Drawing Sheets

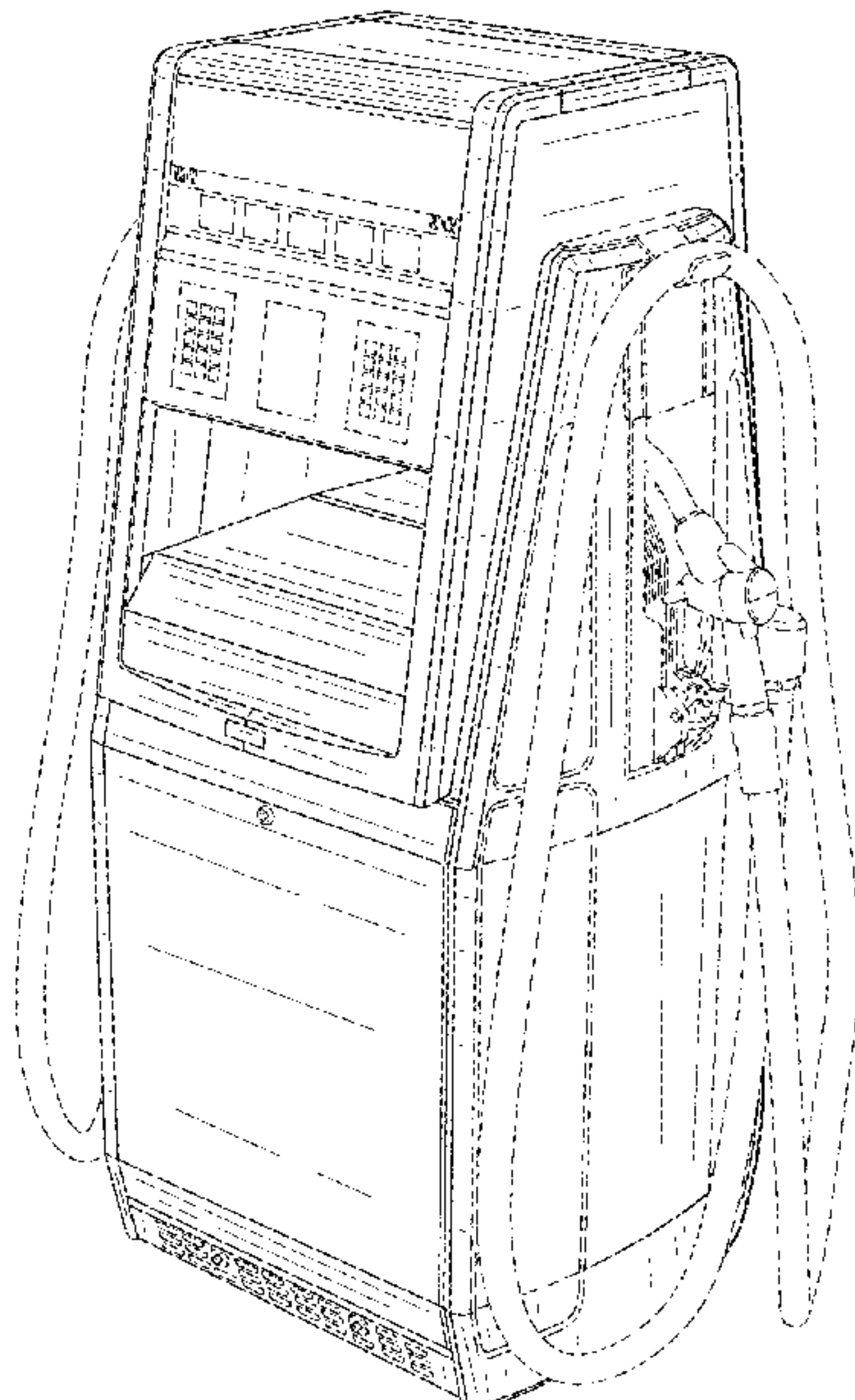


FIG. 1

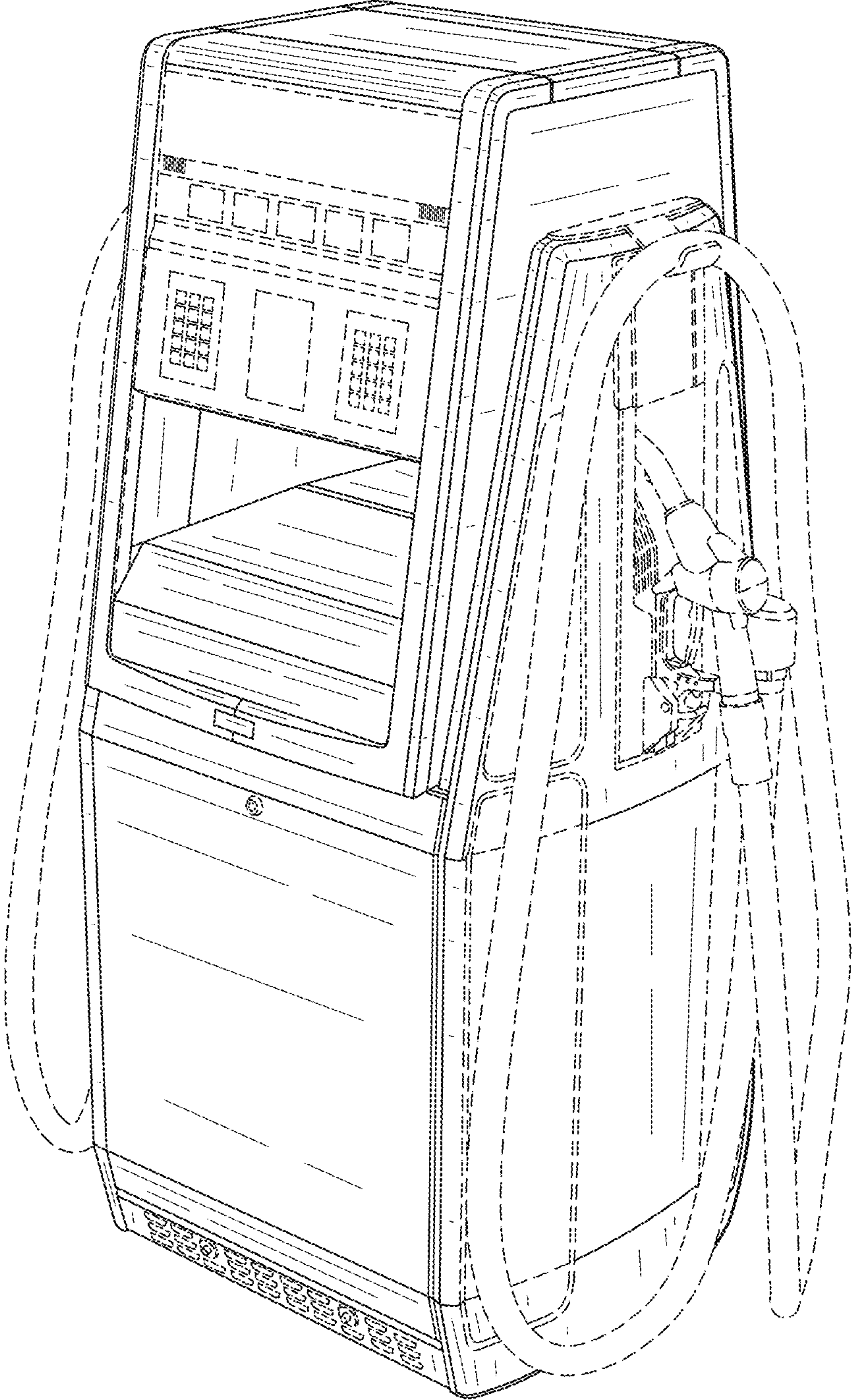


FIG. 2

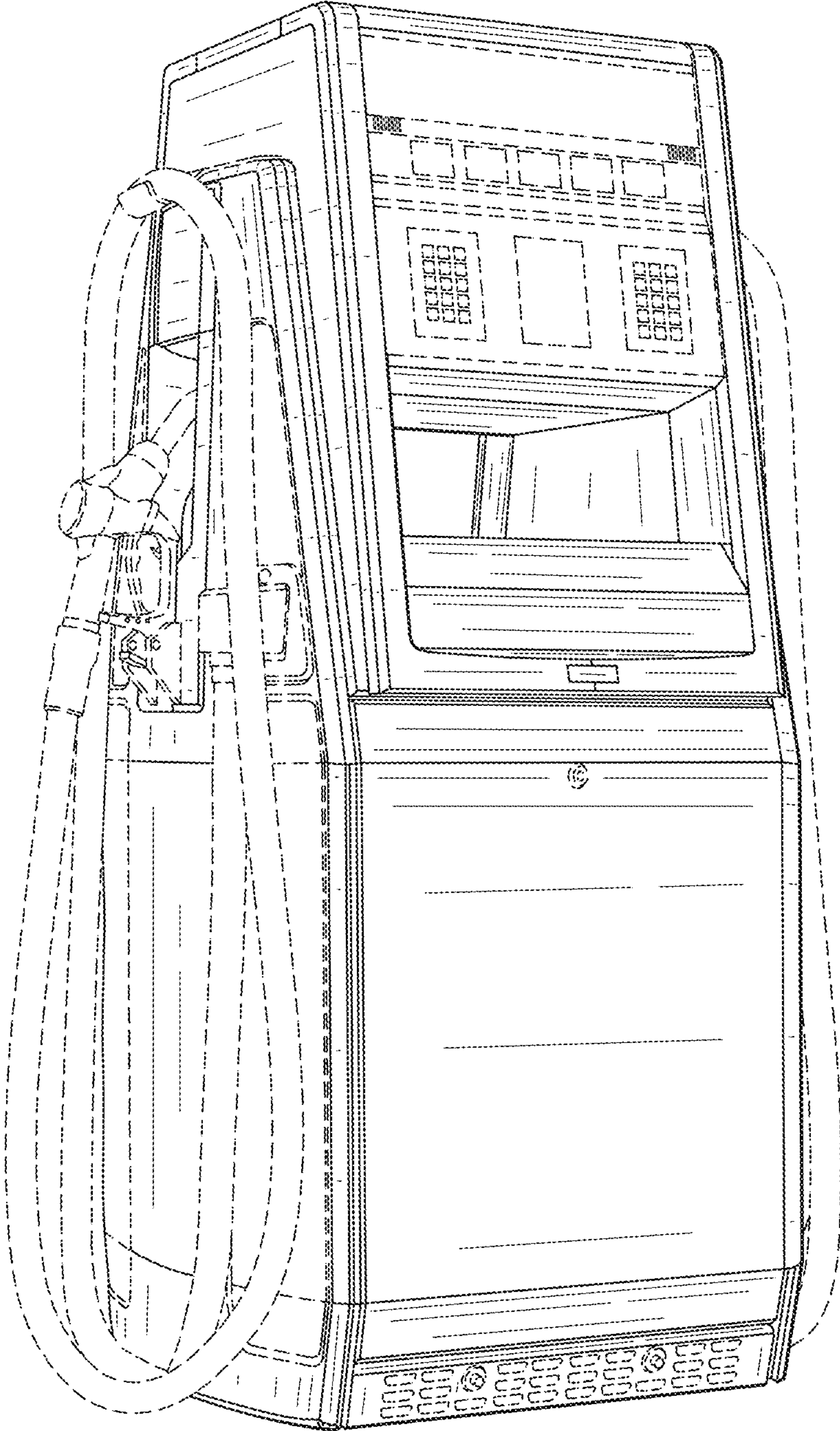


FIG. 3

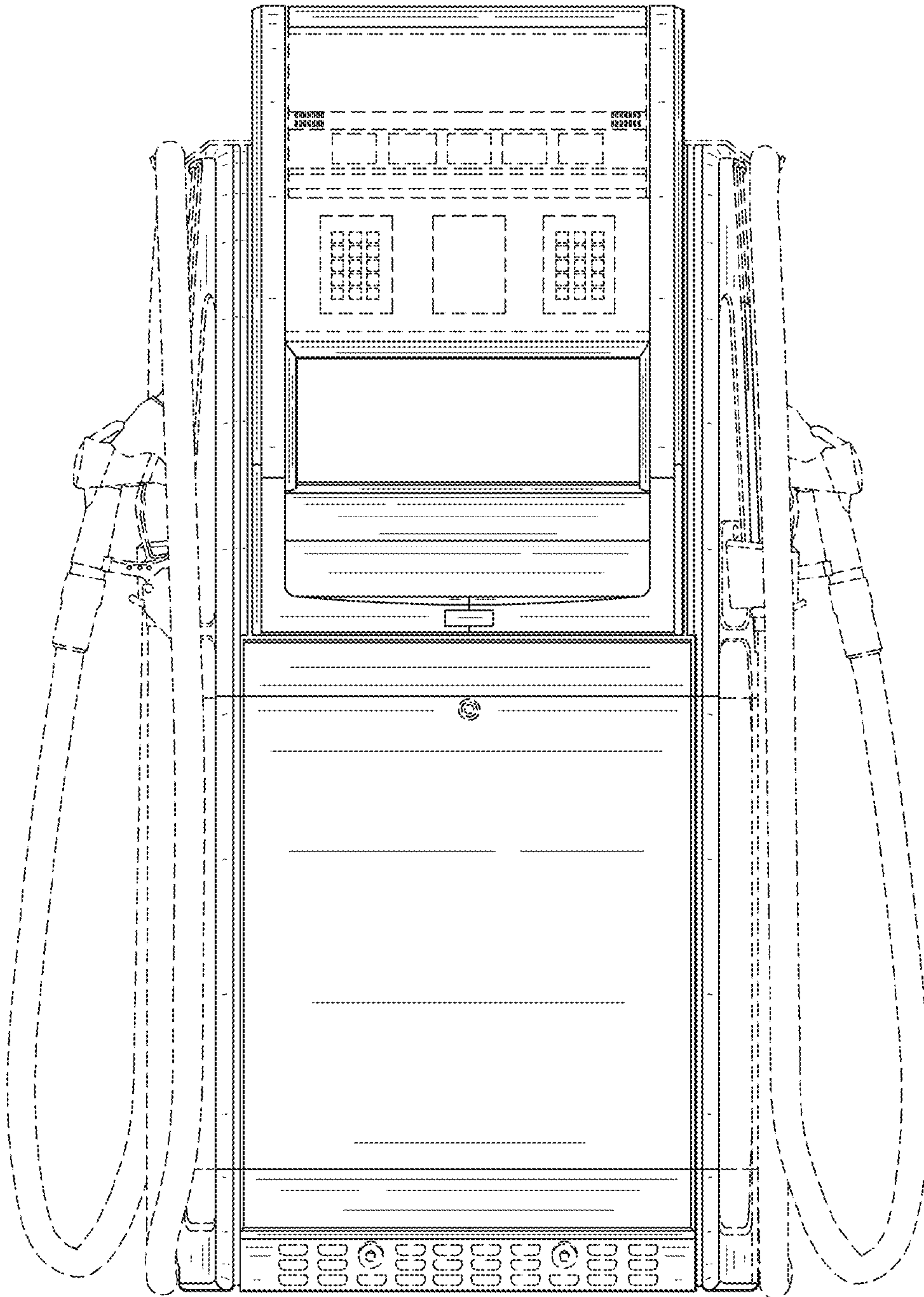


FIG. 4

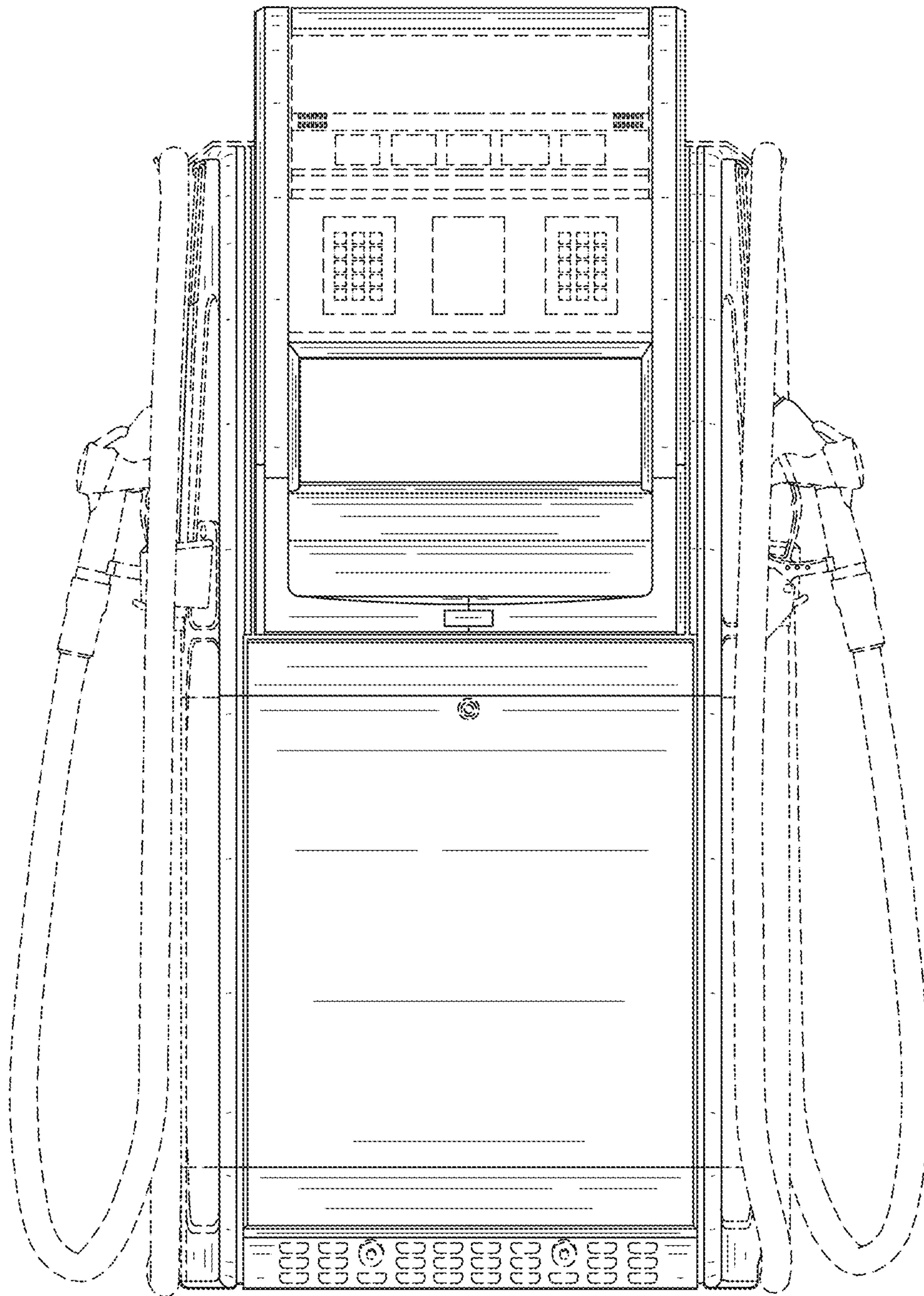


FIG. 5

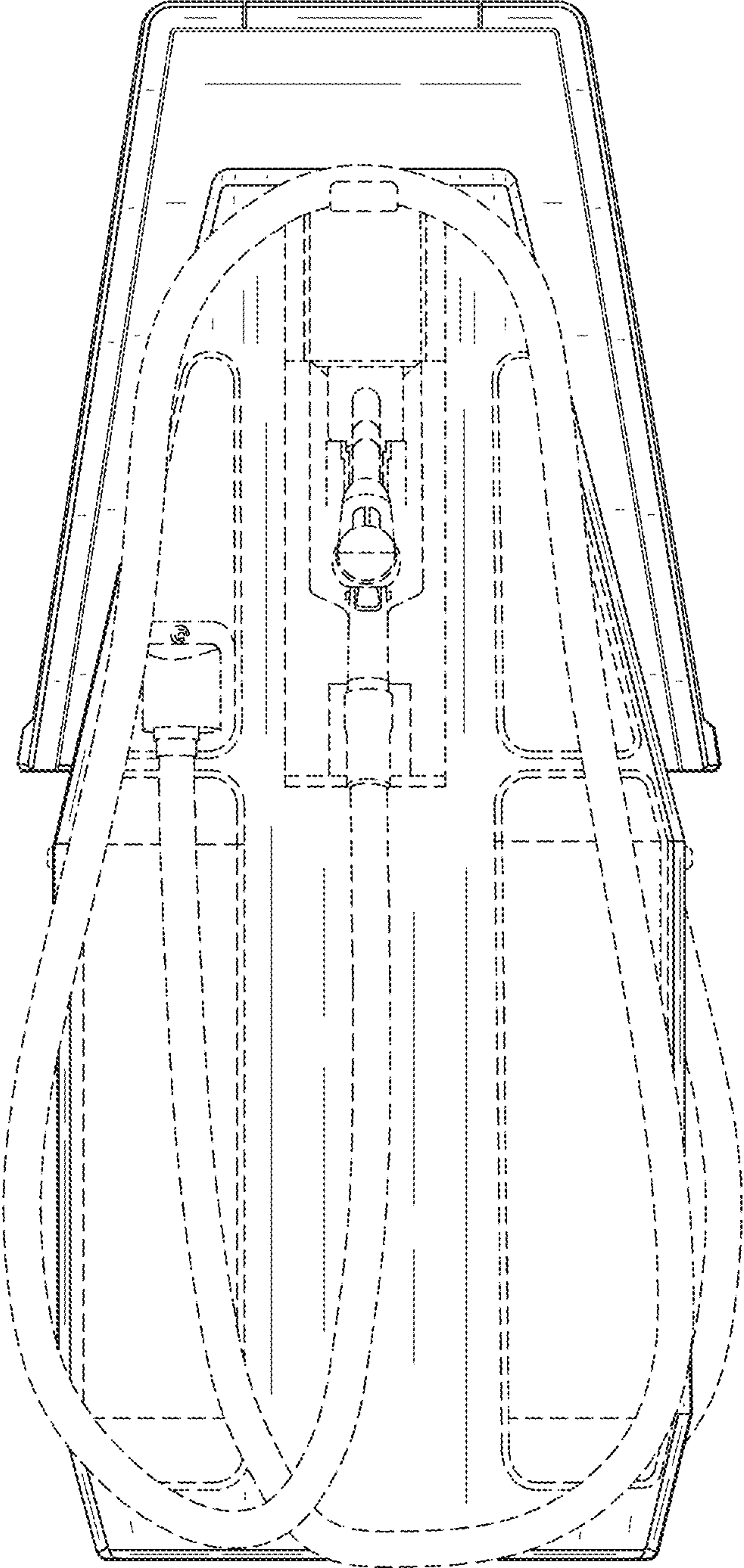


FIG. 6

