



US00D758451S

(12) **United States Design Patent**  
**Balma**

(10) **Patent No.:** **US D758,451 S**  
(45) **Date of Patent:** **\*\* Jun. 7, 2016**

- (54) **INFLATING GUN FOR A COMPRESSOR**
- (71) Applicant: **Fini Nuair S.p.A.**, Robassomero (IT)
- (72) Inventor: **Roberto Balma**, Robassomero (IT)
- (73) Assignee: **Fini Nuair S.p.A.**, Robassomero (IT)
- (\*\*) Term: **15 Years**
- (21) Appl. No.: **29/526,762**
- (22) Filed: **May 13, 2015**
- (51) **LOC (10) Cl.** ..... **15-02**
- (52) **U.S. Cl.**  
USPC ..... **D15/7**
- (58) **Field of Classification Search**  
USPC ..... D15/7-9; D23/231, 232, 225; 417/60,  
417/235, 265, 321, 355, 358, 363, 359,  
417/410.1, 415-416, 405, 900; 60/408,  
60/412; 184/26-37; 415/140-147;  
123/495, 509; 137/565.34  
CPC ..... F02M 37/04; F02M 37/14  
See application file for complete search history.

|              |         |          |       |        |
|--------------|---------|----------|-------|--------|
| D588,161 S * | 3/2009  | Daniel   | ..... | D15/7  |
| D611,961 S * | 3/2010  | Boussu   | ..... | D15/7  |
| D634,755 S * | 3/2011  | Sanders  | ..... | D15/7  |
| D659,165 S * | 5/2012  | Boussu   | ..... | D15/7  |
| D669,094 S * | 10/2012 | Chang    | ..... | D15/7  |
| D692,025 S * | 10/2013 | Cook     | ..... | D15/7  |
| D692,933 S * | 11/2013 | Sorensen | ..... | D15/90 |
| D712,933 S * | 9/2014  | DeOreo   | ..... | D15/7  |

\* cited by examiner

*Primary Examiner* — Ralf Seifert

(74) *Attorney, Agent, or Firm* — Workman Nydegger

(57) **CLAIM**

The ornamental design for an inflating gun for a compressor, as shown and described.

**DESCRIPTION**

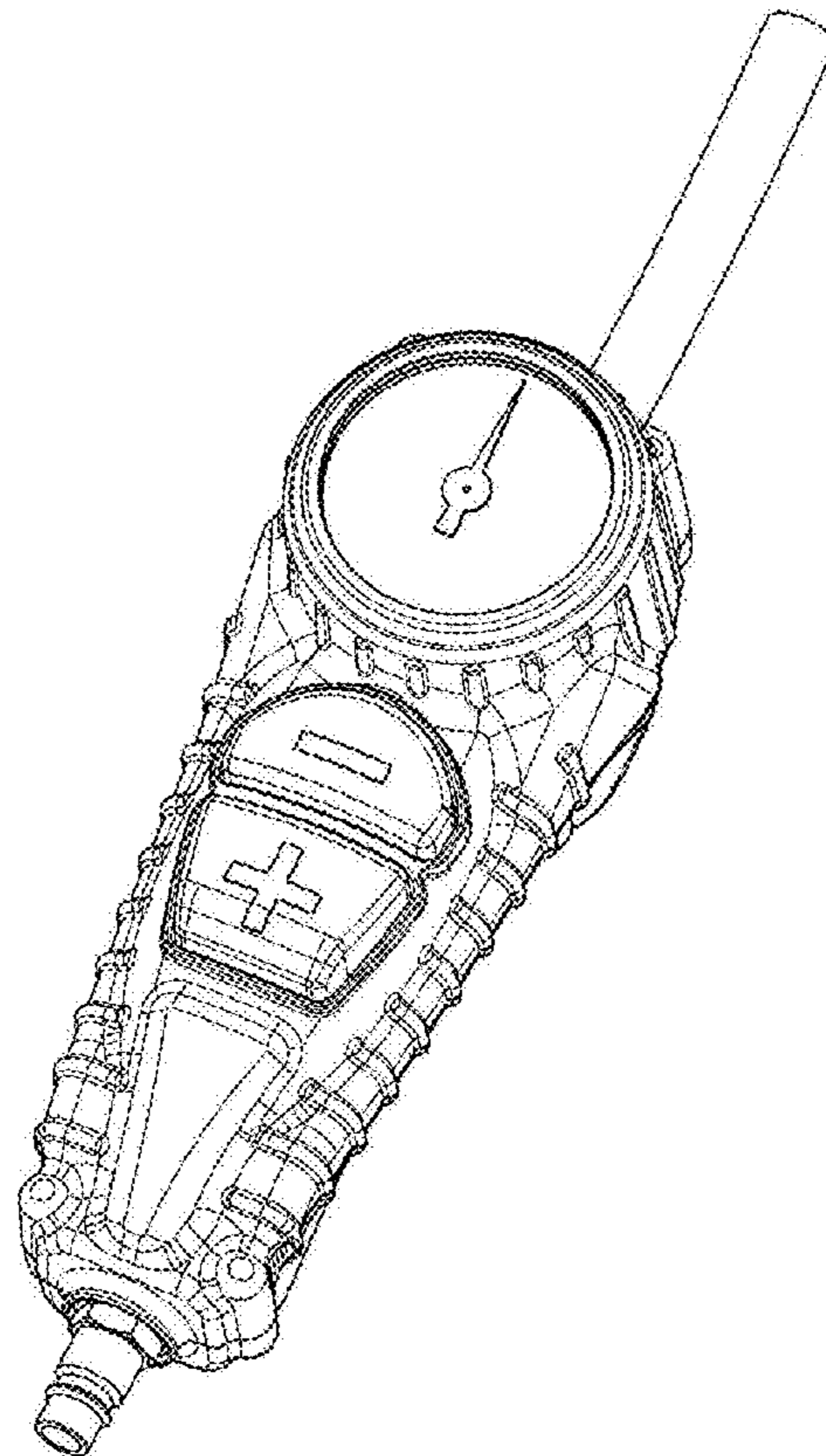
FIG. 1 is a top-front-left perspective view of an inflating gun for a compressor showing my new design; FIG. 2 is an top plan view thereof; FIG. 3 is an elevated front view thereof; FIG. 4 is an elevated rear view thereof; FIG. 5 is a bottom plan view thereof; FIG. 6 is an elevated right view thereof; and, FIG. 7 is an elevated left view thereof.

**1 Claim, 7 Drawing Sheets**

(56) **References Cited**

**U.S. PATENT DOCUMENTS**

|              |         |           |       |       |
|--------------|---------|-----------|-------|-------|
| D470,863 S * | 2/2003  | Williams  | ..... | D15/7 |
| D510,939 S * | 10/2005 | Nikolayev | ..... | D15/9 |



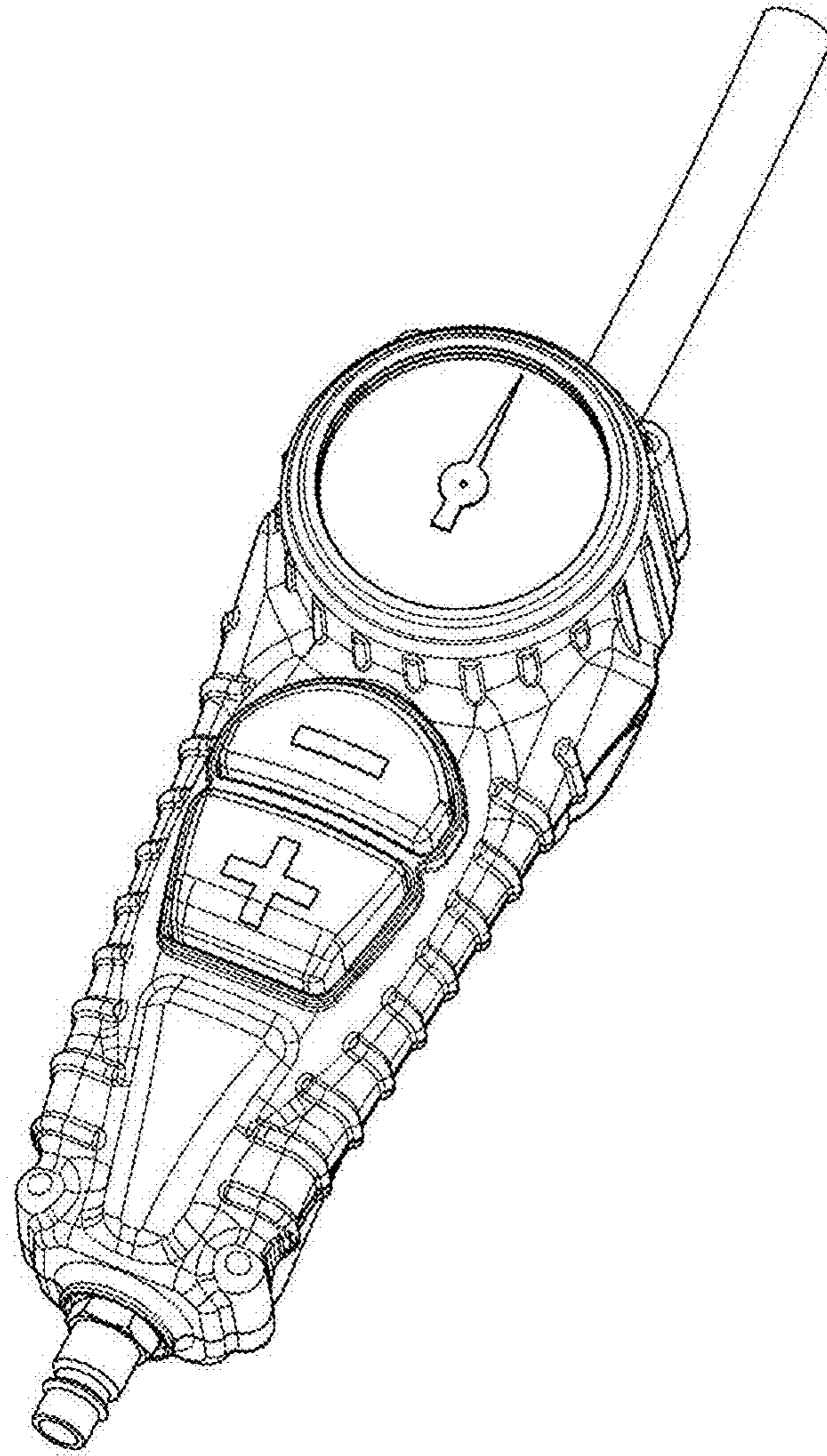


Fig. 1

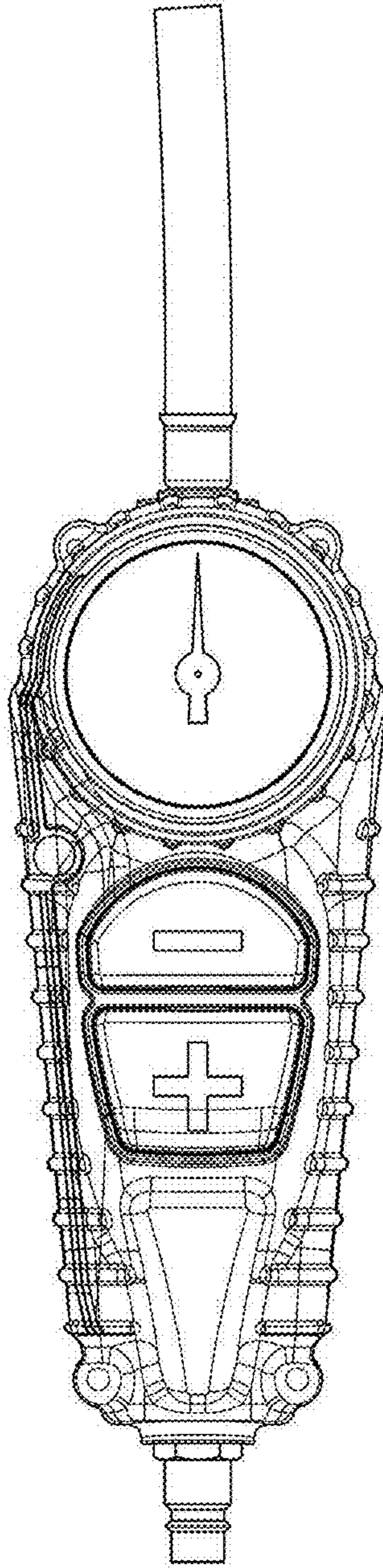


Fig. 2



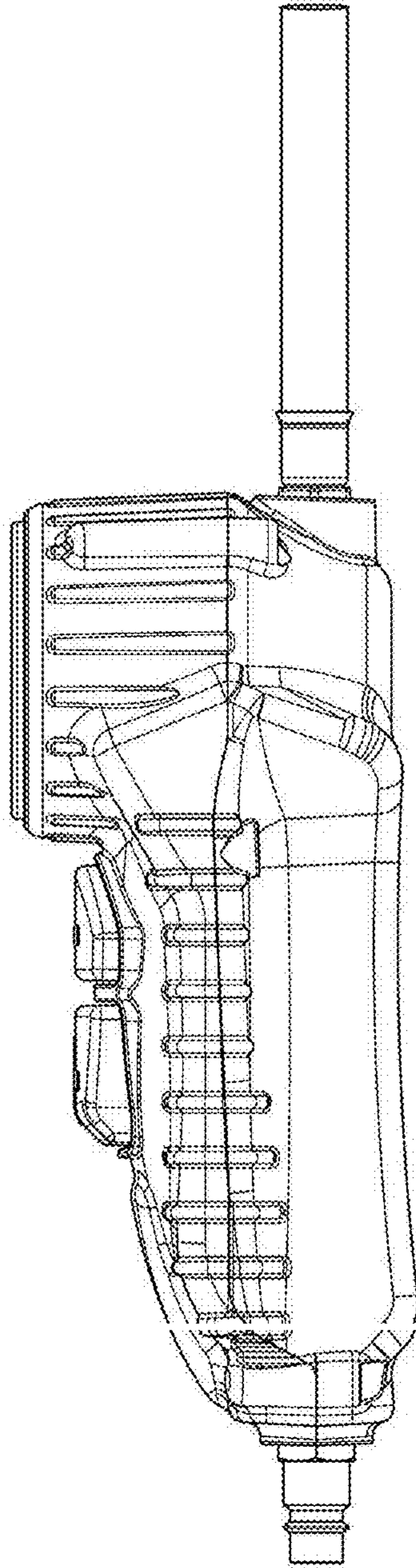


Fig. 3

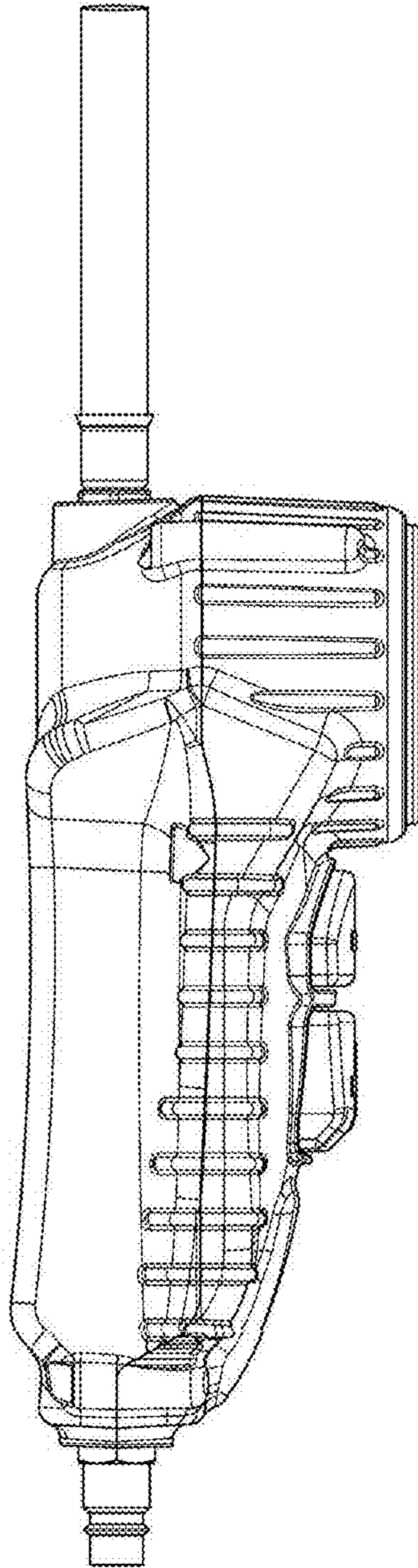


Fig. 4

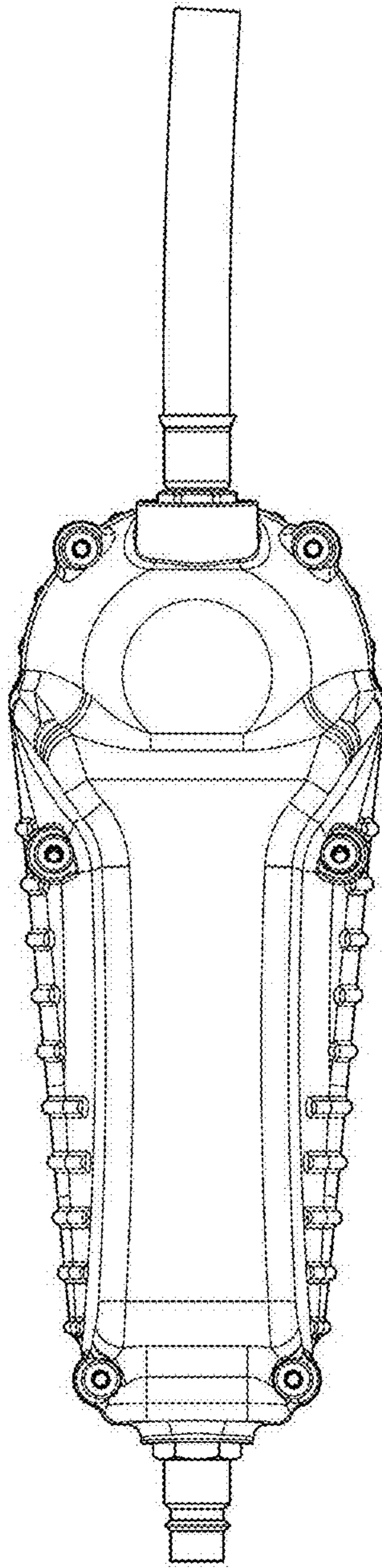
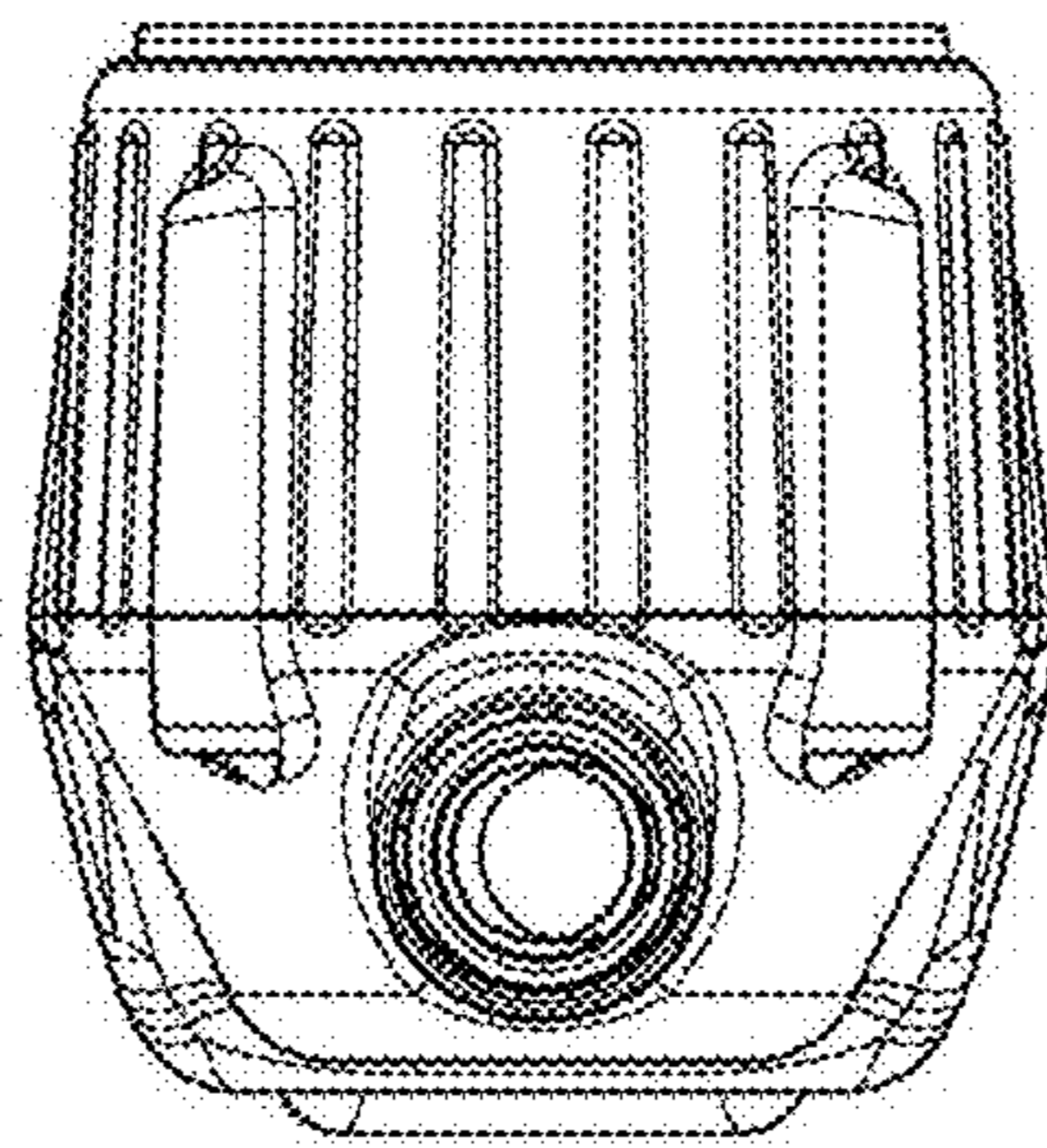
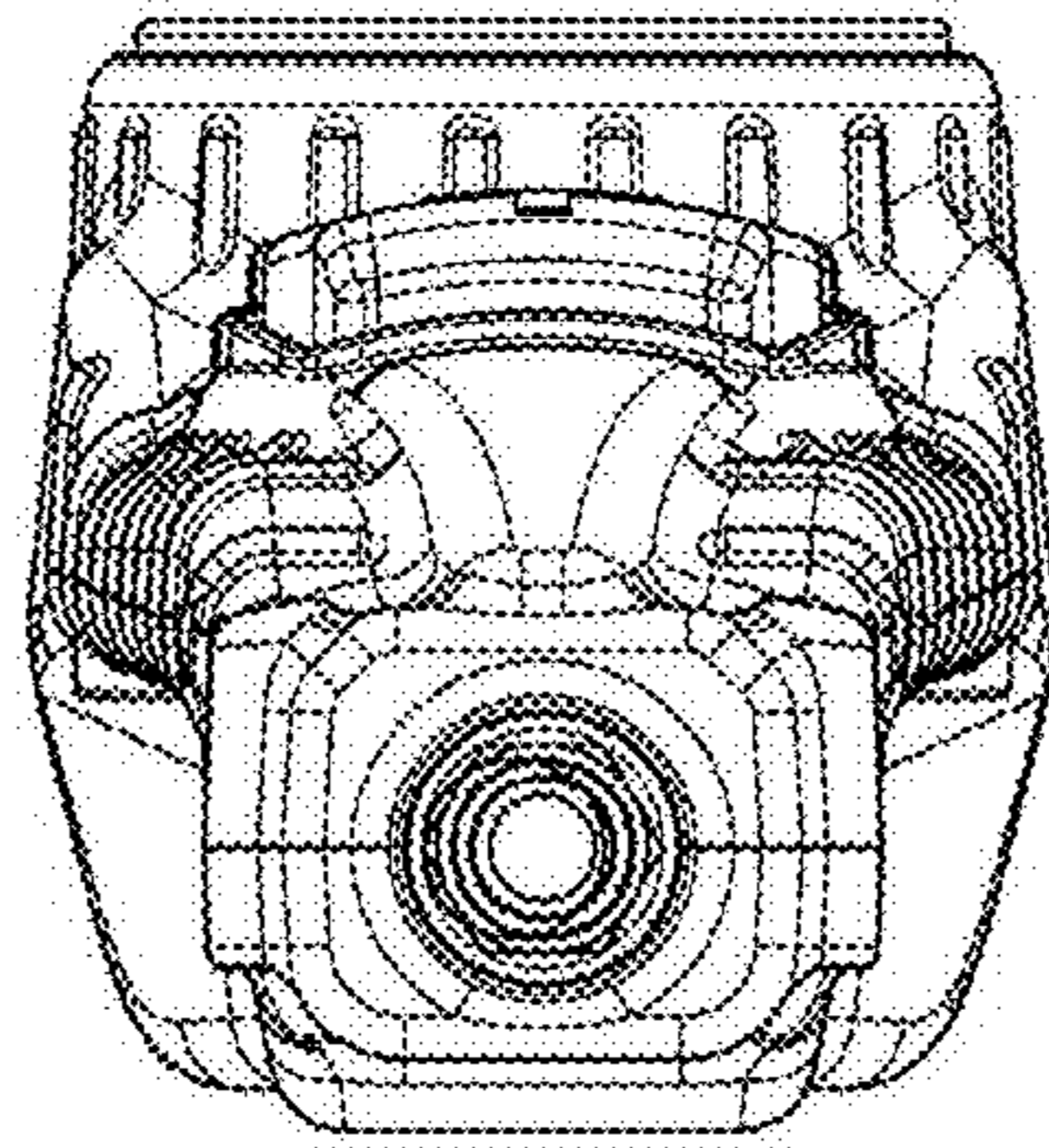


Fig. 5



*Fig. 6*



*Fig. 7*