



US00D758449S

(12) **United States Design Patent**
White

(10) **Patent No.:** **US D758,449 S**

(45) **Date of Patent:** **** Jun. 7, 2016**

- (54) **OIL PAN DRAIN PLUG**
- (71) Applicant: **Daniel White**, Clermont, FL (US)
- (72) Inventor: **Daniel White**, Clermont, FL (US)
- (**) Term: **14 Years**
- (21) Appl. No.: **29/481,216**
- (22) Filed: **Feb. 3, 2014**
- (51) **LOC (10) Cl.** **15-01**
- (52) **U.S. Cl.**
USPC **D15/5**
- (58) **Field of Classification Search**
USPC D15/1-6, 199, 140; D23/260-162;
D8/397-399, 387; D24/129, 165, 156,
D24/109
CPC F01M 2011/0416; F01M 2011/0425;
F01M 11/0408
See application file for complete search history.

- D545,404 S * 6/2007 Nightlinger D23/260
- D545,405 S * 6/2007 Nightlinger D23/260
- D727,462 S * 4/2015 Antonucci D23/209
- D739,624 S * 9/2015 Rebar D32/35
- 2006/0054402 A1* 3/2006 Dorian F01M 11/0408
184/1.5
- 2011/0284539 A1* 11/2011 Stevenson F01M 11/0408
220/233
- 2014/0109986 A1* 4/2014 Cordes F01M 11/04
137/219

* cited by examiner

Primary Examiner — T. Chase Nelson

Assistant Examiner — Ania Aman

(74) *Attorney, Agent, or Firm* — William M. Hobby, III

(57) **CLAIM**

The ornamental design for an oil pan drain plug, as shown and described.

DESCRIPTION

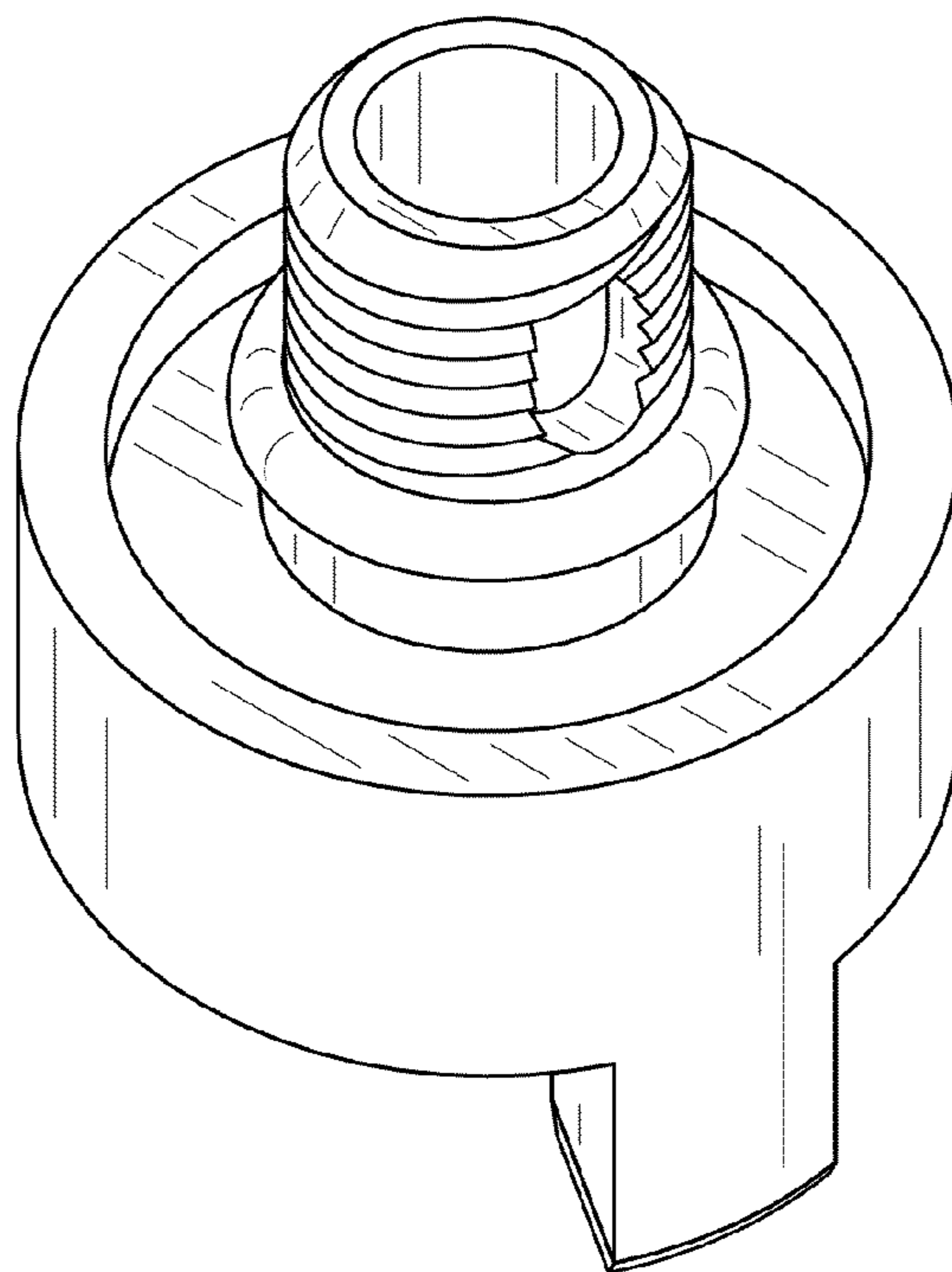
FIG. 1 is a top and side perspective view of my new oil pan drain plug;
 FIG. 2 is a front side elevation;
 FIG. 3 is a rear side elevation;
 FIG. 4 is a right side elevation;
 FIG. 5 is a left side elevation;
 FIG. 6 is a top plan view; and,
 FIG. 7 is a bottom plan view.
 The broken lines shown in FIGS. 6 and 7 depict portions of the oil pan drain plug that form no part of the claimed design.

1 Claim, 2 Drawing Sheets

(56) **References Cited**

U.S. PATENT DOCUMENTS

- D32,963 S * 7/1900 Levering D23/262
- 1,958,800 A * 5/1934 Ziems F01M 11/04
251/337
- 3,869,391 A * 3/1975 Kramer F15B 21/041
137/351
- 5,096,158 A * 3/1992 Burdick F01M 11/0408
137/315.25
- D363,767 S * 10/1995 Swaim D23/260
- D364,882 S * 12/1995 Junkers D15/199
- D503,725 S * 4/2005 Ensminger D15/5



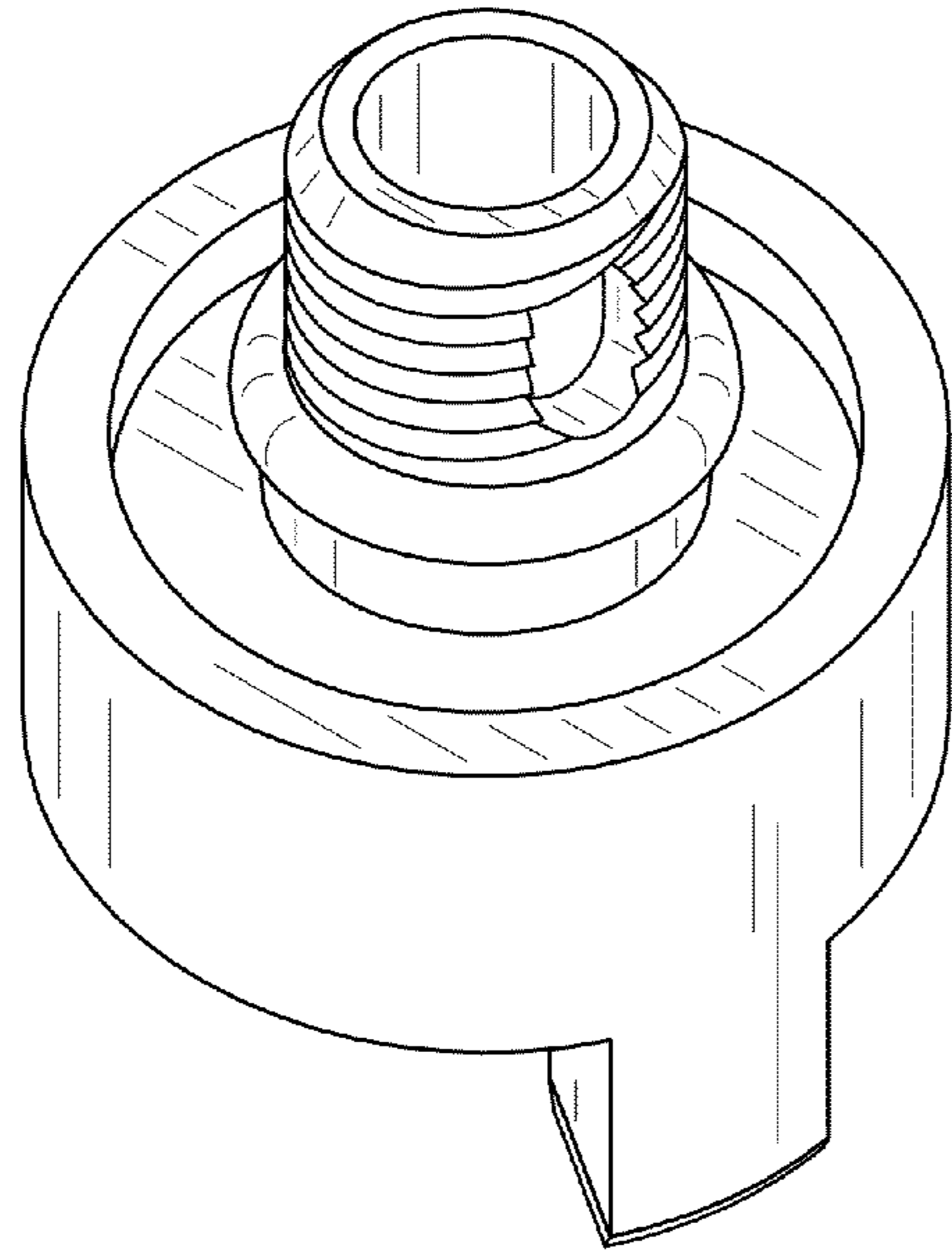


FIG. 1

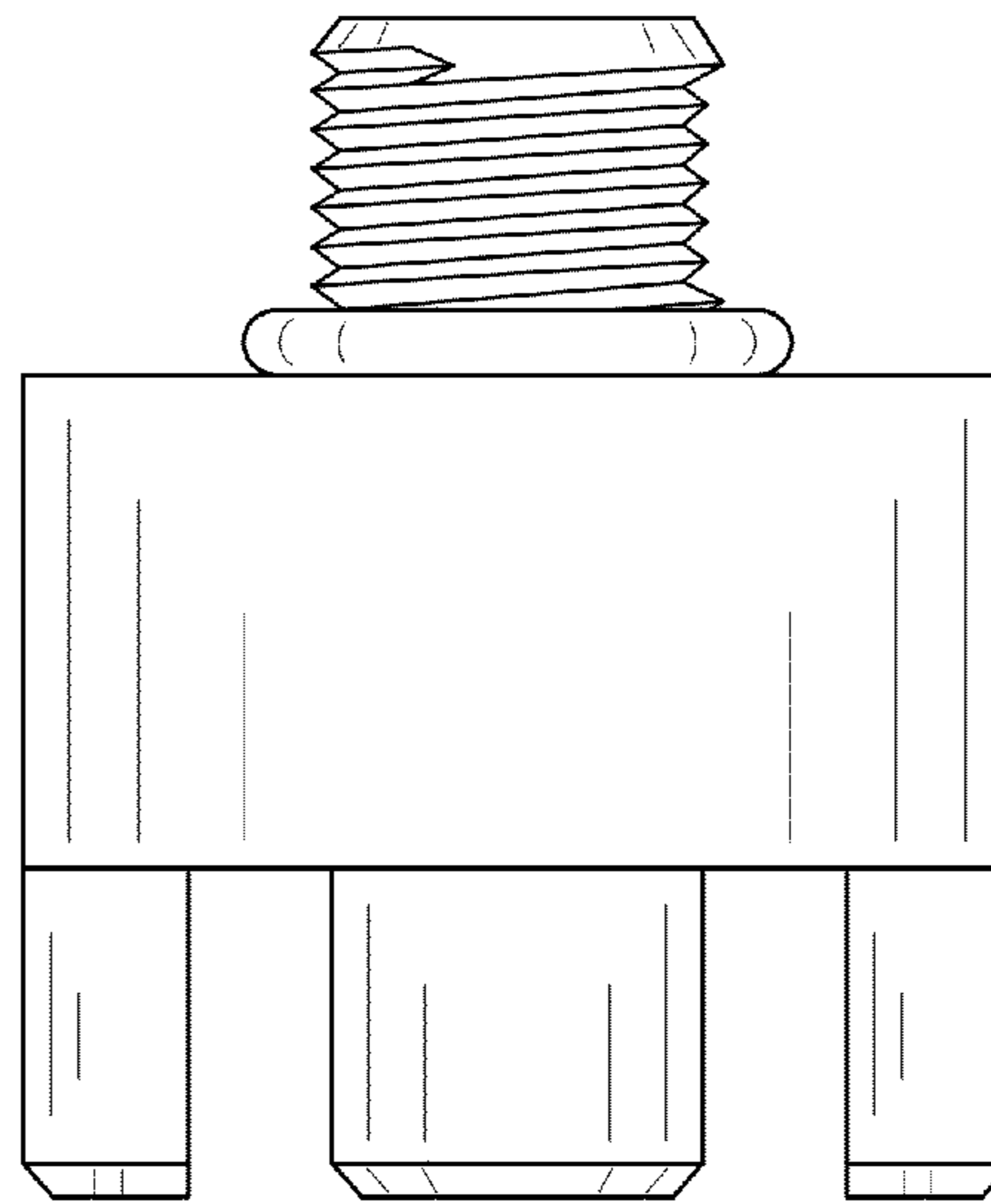


FIG. 2

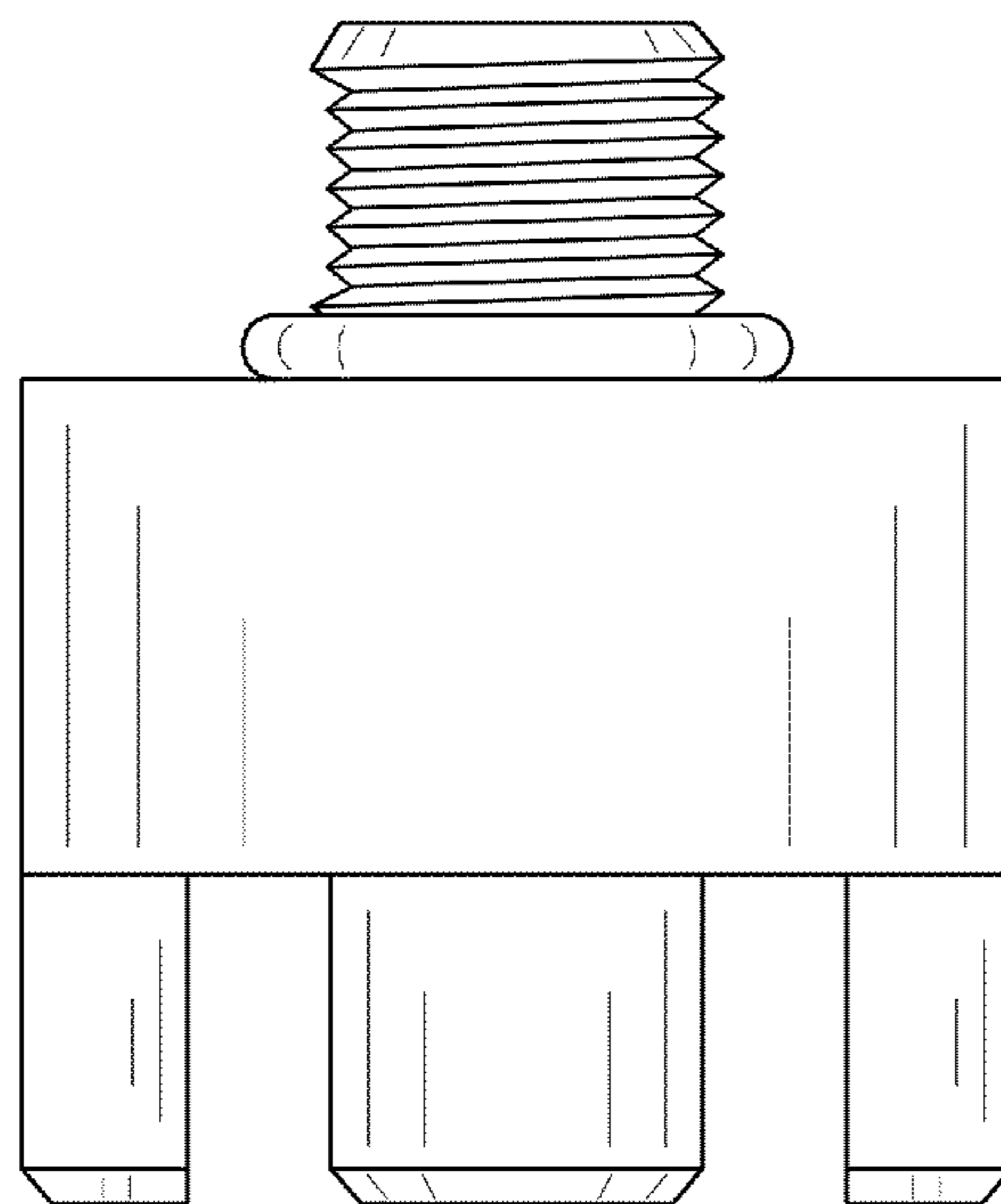


FIG. 3

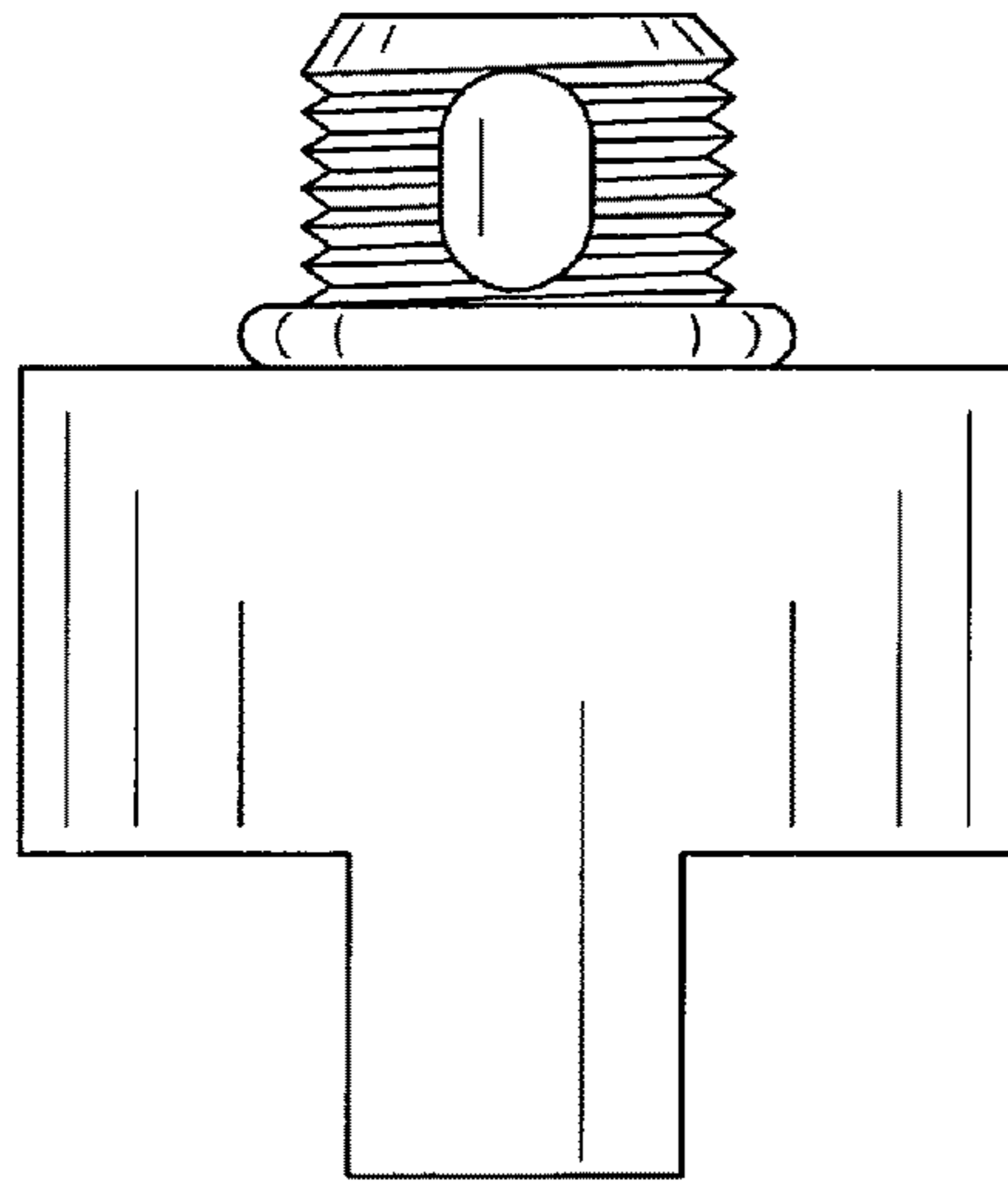


FIG. 4

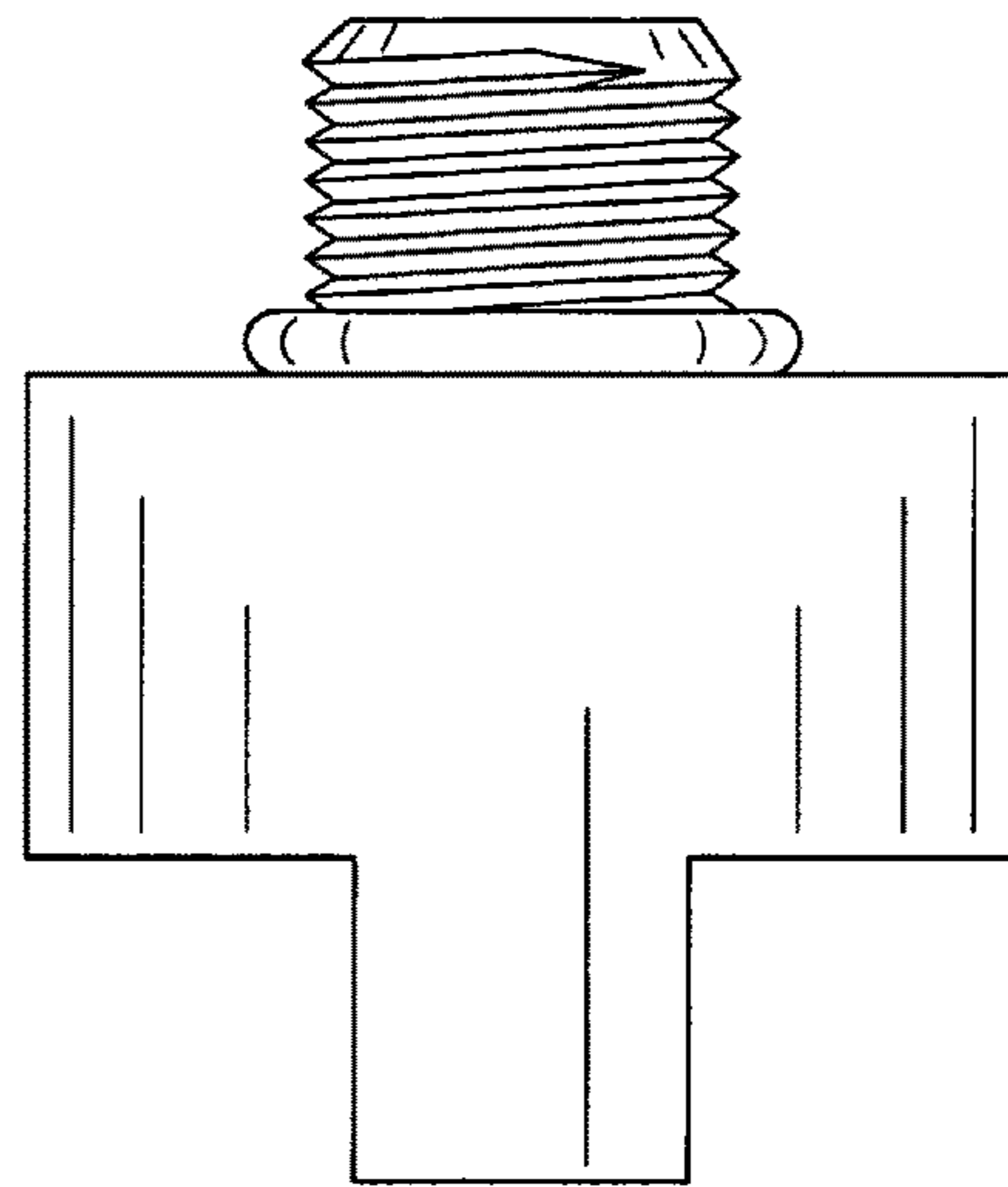


FIG. 5

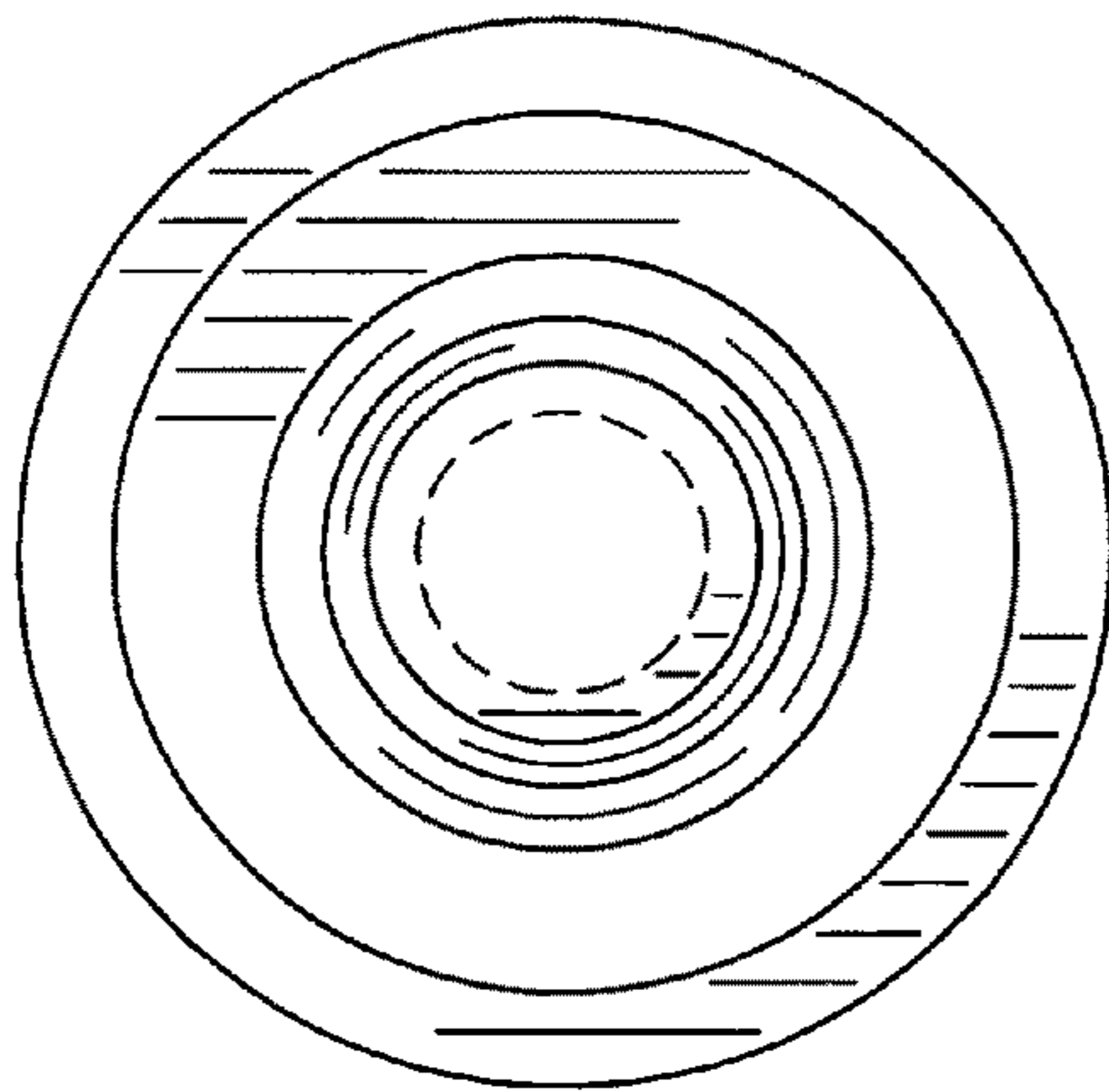


FIG. 6

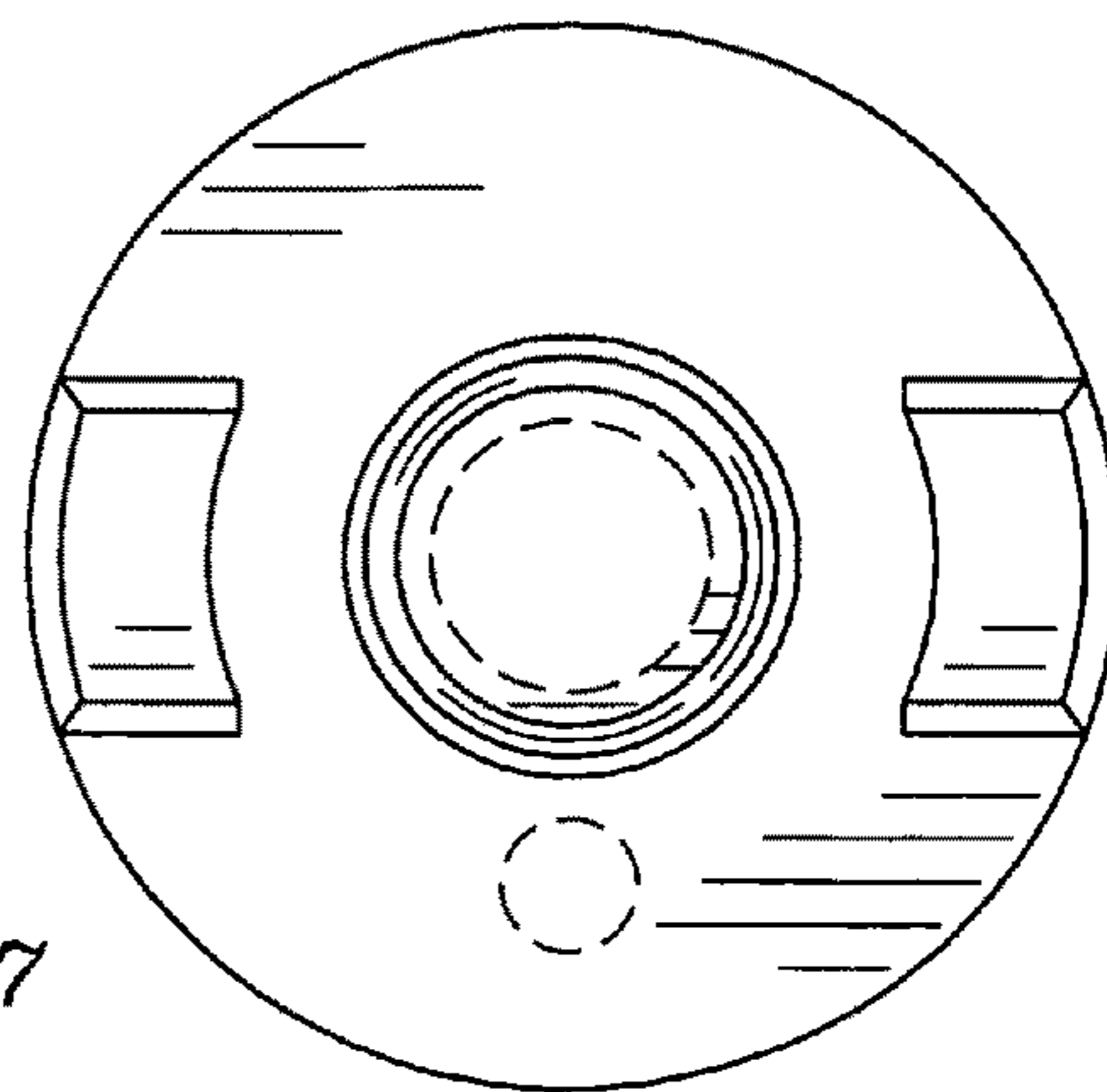


FIG. 7