



US00D758430S

(12) **United States Design Patent**
Daniel

(10) **Patent No.:** **US D758,430 S**
(45) **Date of Patent:** **** *Jun. 7, 2016**

(54) **COMPUTER SCREEN WITH ICON**

(71) Applicant: **Isaac S. Daniel**, Miramar, FL (US)

(72) Inventor: **Isaac S. Daniel**, Miramar, FL (US)

(*) Notice: This patent is subject to a terminal disclaimer.

(**) Term: **14 Years**

(21) Appl. No.: **29/483,613**

(22) Filed: **Feb. 28, 2014**

D661,585	S	*	6/2012	Anderson	D20/22
D662,418	S	*	6/2012	Anderson	D20/22
D674,994	S	*	1/2013	Danner	D2/891
D682,042	S	*	5/2013	Sanders	D24/196
D683,358	S	*	5/2013	Garn	D14/489
D687,060	S	*	7/2013	Daniel	D14/489
D693,366	S	*	11/2013	Daniel	D14/489
D693,367	S	*	11/2013	Daniel	D14/489
D693,846	S	*	11/2013	Daniel	D14/489
D694,261	S	*	11/2013	Daniel	D14/489
D698,818	S	*	2/2014	Laverack	D14/489
D706,293	S	*	6/2014	Bautista	D14/489
D706,295	S	*	6/2014	Daniel	D14/489
D716,341	S	*	10/2014	Daniel	D14/489
D720,368	S	*	12/2014	Daniel	D14/489
2006/0143963	A1	*	7/2006	Nowakowski	G09F 3/04 40/673

Related U.S. Application Data

(62) Division of application No. 29/428,651, filed on Aug. 1, 2012, now Pat. No. Des. 716,341.

(51) **LOC (10) Cl.** **14-04**

(52) **U.S. Cl.**
USPC **D14/489**

(58) **Field of Classification Search**
USPC D14/485-95; D18/24-33; D19/6, 52;
D20/11; D21/324-33; 715/700-867,
715/973-77
CPC G06F 3/048-3/04897; G06F 8/34
See application file for complete search history.

(56) **References Cited**

U.S. PATENT DOCUMENTS

1,764,687	A	*	6/1930	Luce	G09F 13/16 246/1 C
D92,844	S	*	7/1934	Glock	D10/114.1
D438,699	S	*	3/2001	Campman	D3/215
D452,692	S	*	1/2002	Fukuda	D14/489
D497,617	S	*	10/2004	Decombe	D14/486
D593,571	S	*	6/2009	Ball	D14/485
D640,327	S	*	6/2011	Gorzo	D20/22
D660,090	S	*	5/2012	Lane	D7/624.1

OTHER PUBLICATIONS

Trademark Electronic Search System, 73469443, 75697916, 76219949, 76401819, 85329099.*

* cited by examiner

Primary Examiner — Melanie H Tung

(74) *Attorney, Agent, or Firm* — Carol N. Green Kaul, Esq.

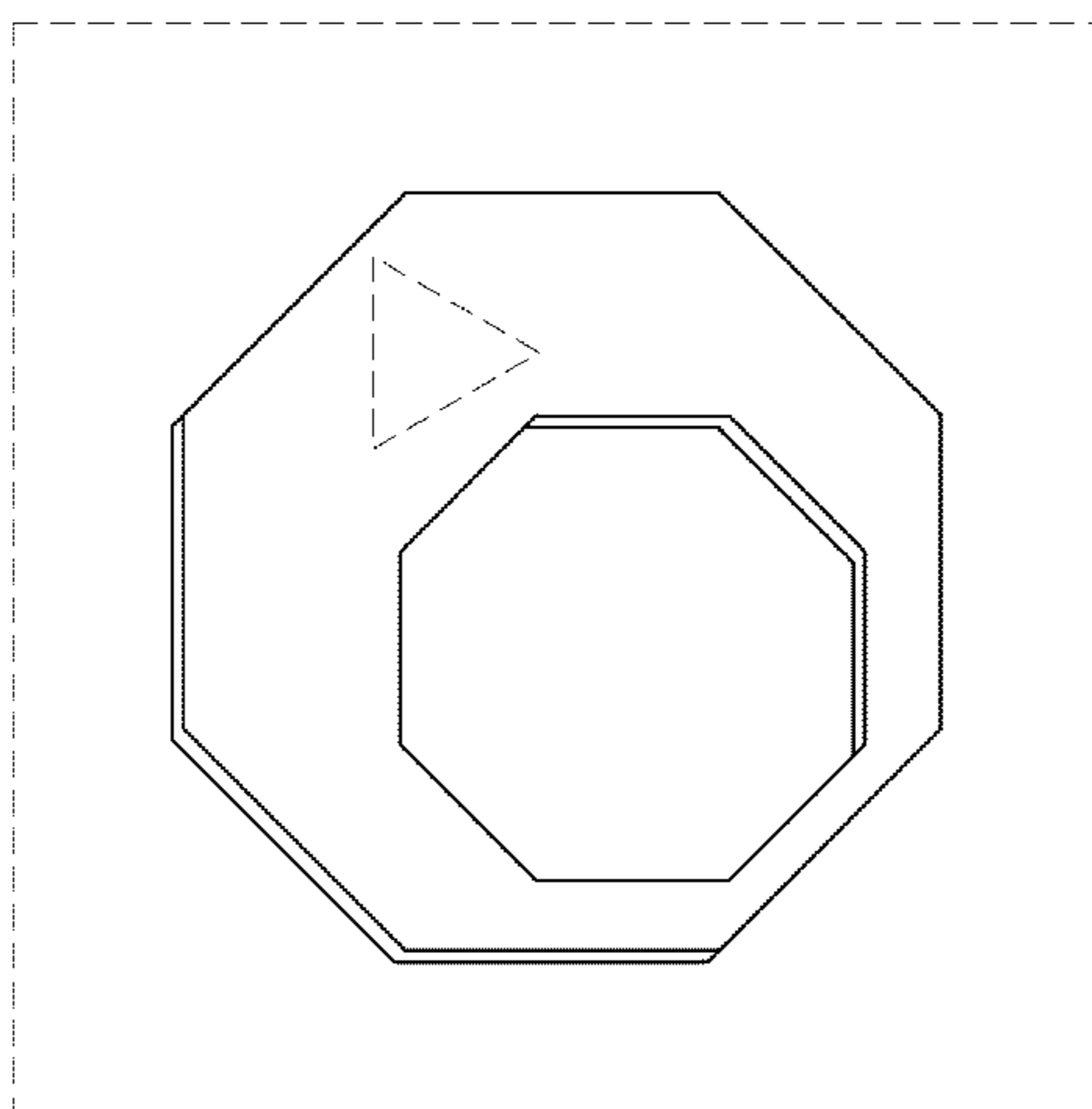
(57) **CLAIM**

The ornamental design for a computer screen with icon, as shown and described.

DESCRIPTION

FIG. 1 is a front view of a computer screen with icon.
FIG. 2 is a perspective view of the computer screen with icon.
FIG. 3 is a second perspective view of the computer screen with icon; and,
FIG. 4 is a front view of a second embodiment thereof.
The broken lines in FIGS. 1-4 that show a computer screen and graphic elements form no part of the claimed design.

1 Claim, 2 Drawing Sheets



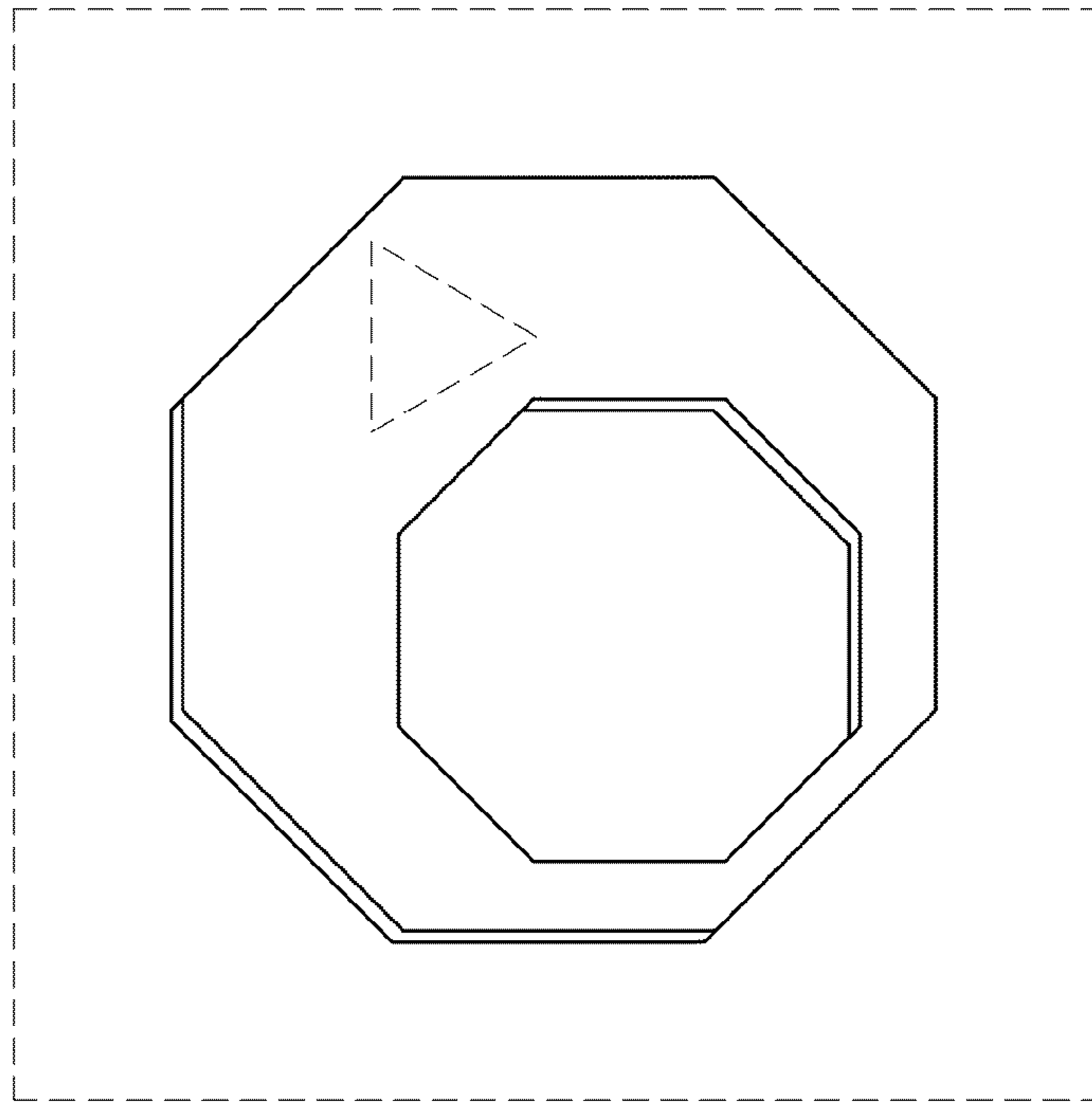


FIG. 1

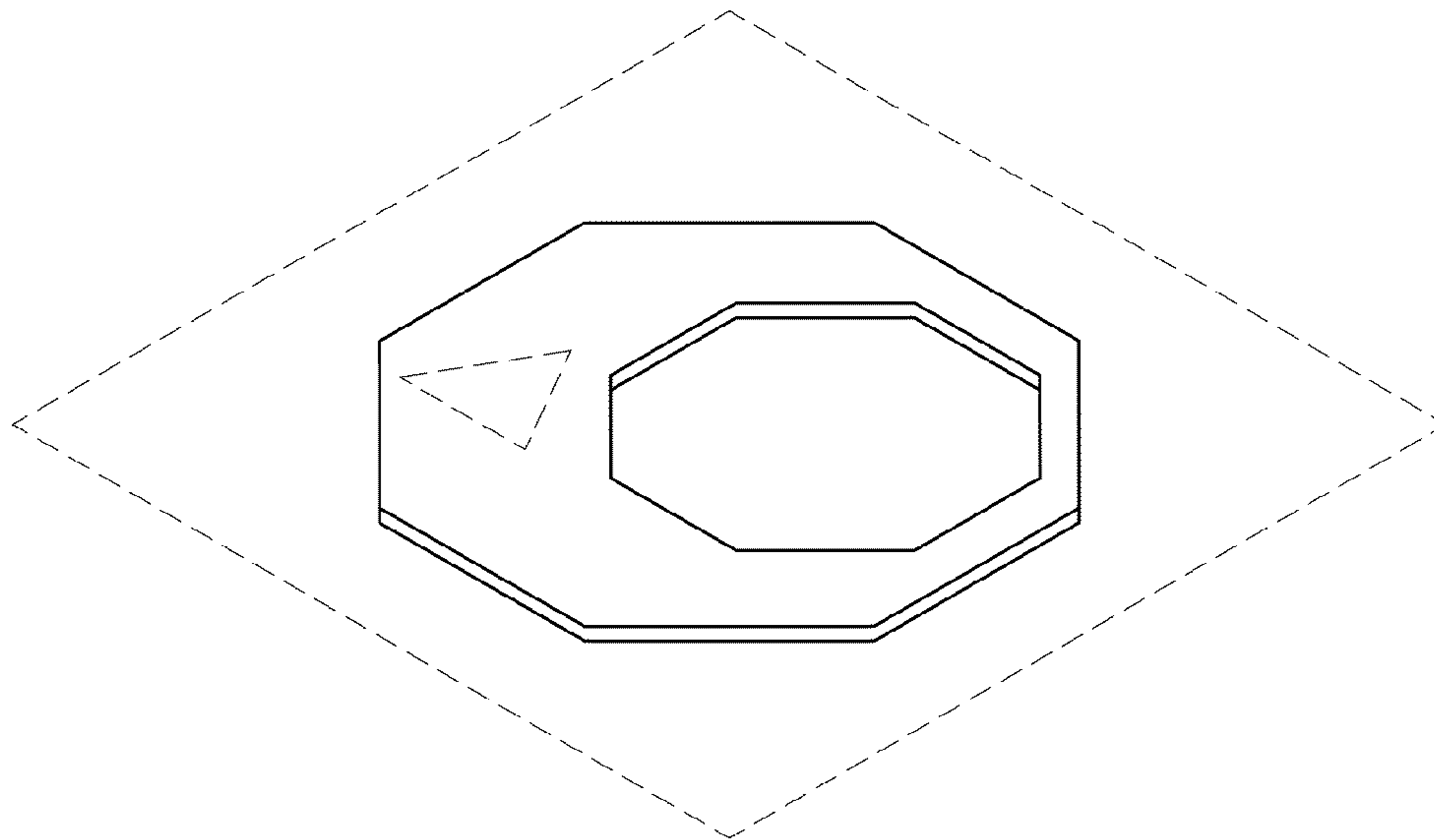


FIG. 2

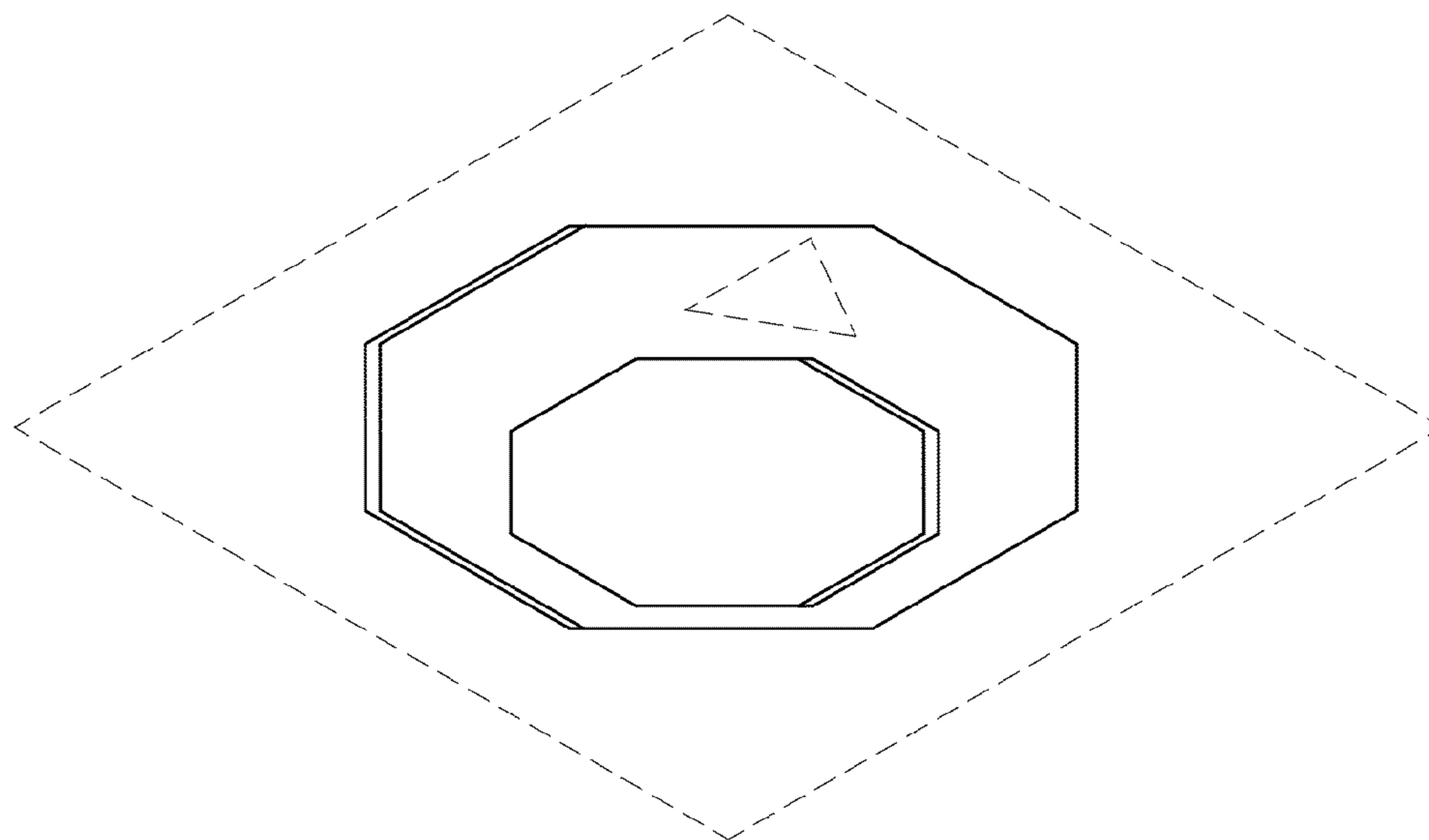


FIG. 3

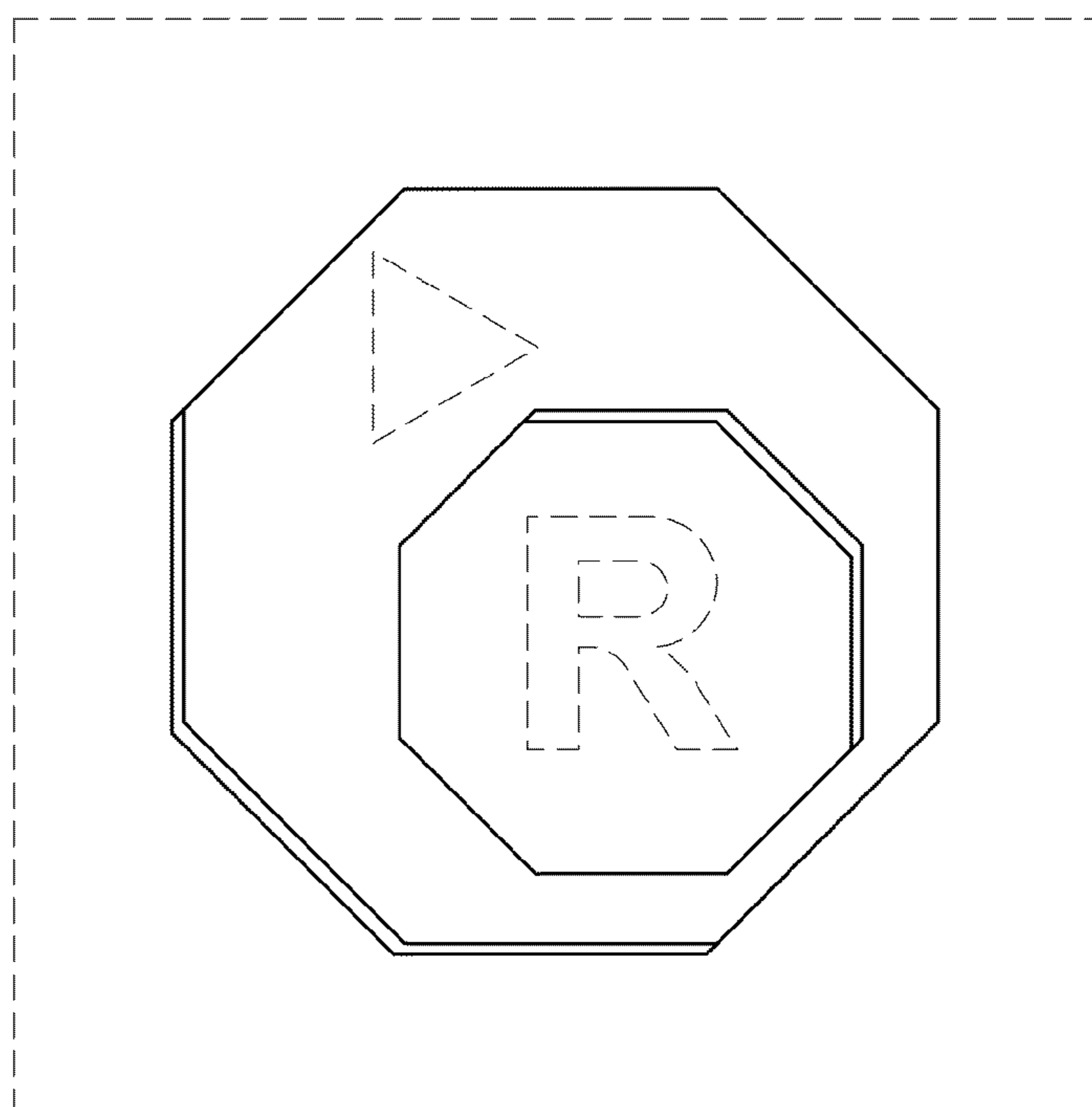


FIG. 4