



US00D758414S

(12) **United States Design Patent**
Kim et al.

(10) **Patent No.:** **US D758,414 S**
(45) **Date of Patent:** **** Jun. 7, 2016**

(54) **DISPLAY SCREEN OR PORTION THEREOF WITH GRAPHICAL USER INTERFACE**

(71) Applicant: **Samsung Electronics Co., Ltd.**, Suwon-si (KR)

(72) Inventors: **Eun-Joo Kim**, Seoul (KR); **Jae-In Kim**, Goyang-si (KR)

(73) Assignee: **SAMSUNG ELECTRONICS CO., LTD.**, Suwon-Si (KR)

(**) Term: **14 Years**

(21) Appl. No.: **29/513,733**

(22) Filed: **Jan. 5, 2015**

(30) **Foreign Application Priority Data**

Aug. 28, 2014 (KR) 30-2014-0041981

(51) **LOC (10) Cl.** **14-04**

(52) **U.S. Cl.**
USPC **D14/487**

(58) **Field of Classification Search**
USPC D14/485, 486, 487, 488, 491; 715/715, 715/722, 723, 792, 810, 835, 836, 837, 839, 715/977; D18/24-33; D19/6, 52; D20/11, D20/12, 23, 24, 25, 29, 30, 31, 32, 36, 37, D20/38
CPC ... G06F 3/048; G06F 3/0481; G06F 3/04817; G06F 3/0482; G06F 3/0484; G06F 3/04855; G06F 15/16
See application file for complete search history.

(56) **References Cited**

U.S. PATENT DOCUMENTS

D631,060 S * 1/2011 Flik D14/486
D650,788 S * 12/2011 Marks D14/487

D667,431 S * 9/2012 Phelan D14/491
D683,750 S * 6/2013 Hally D14/488
D711,406 S * 8/2014 Hurd D14/486
D712,425 S * 9/2014 Nagaoka D14/485
D716,330 S * 10/2014 Chen D14/486
D726,735 S * 4/2015 Asai D14/485
D735,234 S * 7/2015 Chae D14/487
D736,815 S * 8/2015 Nijima D14/486
D746,317 S * 12/2015 Frick D14/487

OTHER PUBLICATIONS

“10 best Android music players”, posted at news-updates-technology.blogspot.com, Nov. 24, 2012, [site visited Jan. 28, 2016]. Available from Internet: <<http://news-updates-technology.blogspot.com/2012/11/10-best-android-music-players.html>>.*

(Continued)

Primary Examiner — Karen E Kearney

Assistant Examiner — John M Otte

(74) *Attorney, Agent, or Firm* — McAndrews Held & Malloy, Ltd.

(57) **CLAIM**

The ornamental design for a display screen or portion thereof with graphical user interface, as shown and described.

DESCRIPTION

FIG. 1 is a front perspective view of a display screen or portion thereof with graphical user interface showing our new design;

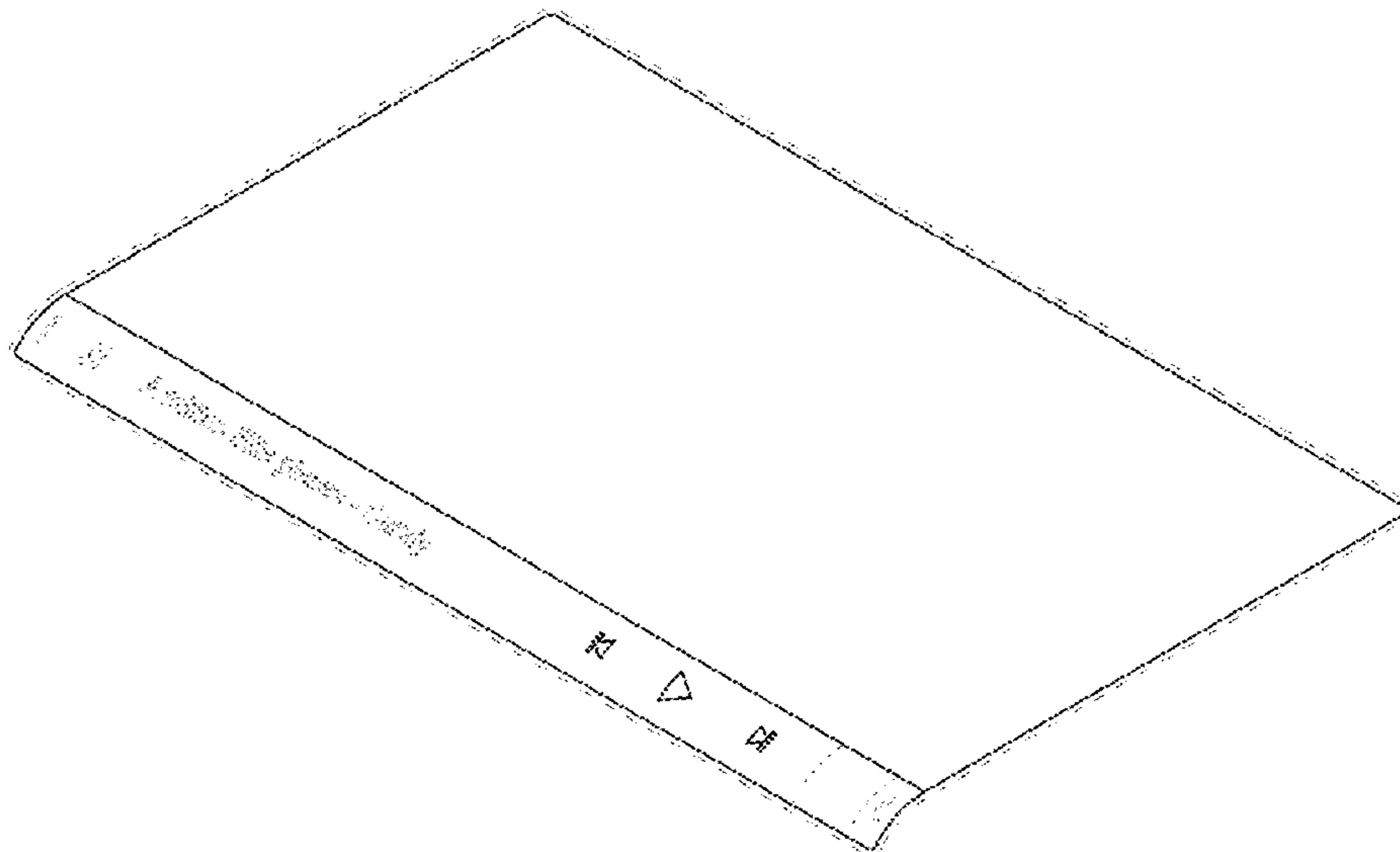
FIG. 2 is a front view thereof;

FIG. 3 is a bottom view thereof; and,

FIG. 4 is a front perspective view thereof, showing additional unclaimed environment.

The dashed broken lines showing portions of the display screen or portion thereof with graphical user interface are for environmental purposes only and form no part of the claimed design.

1 Claim, 3 Drawing Sheets



(56)

References Cited

OTHER PUBLICATIONS

“AudioZest 3D Music Player : Don’t Stop Your Music”, posted at apps4review.com, May 8, 2013, [site visited Jan. 28, 2016]. Available from Internet: <<http://apps4review.com/android-apps/audiozest-3d-music-player-dont-stop-your-music>>.*

Wells, Antonio, “Amazon MP3 with Cloud Player Home Screen Widget”, posted at androidtapp.com, Apr. 18, 2011, [site visited Jan.

28, 2016]. Available from Internet: <<http://www.androidtapp.com/amazon-mp3-for-android/amazon-mp3-with-cloud-player-home-screen-widget>>.*

Haselton, Todd, “iPhone 6 Concept Video Shows off Full Wrap-Around Display”, posted at technobuffalo.com, Apr. 19, 2013, [site visited Jan. 20, 2016]. Available from Internet: <<http://www.technobuffalo.com/2013/04/19/iphone-6-concept-video>>.*

* cited by examiner

FIG. 1

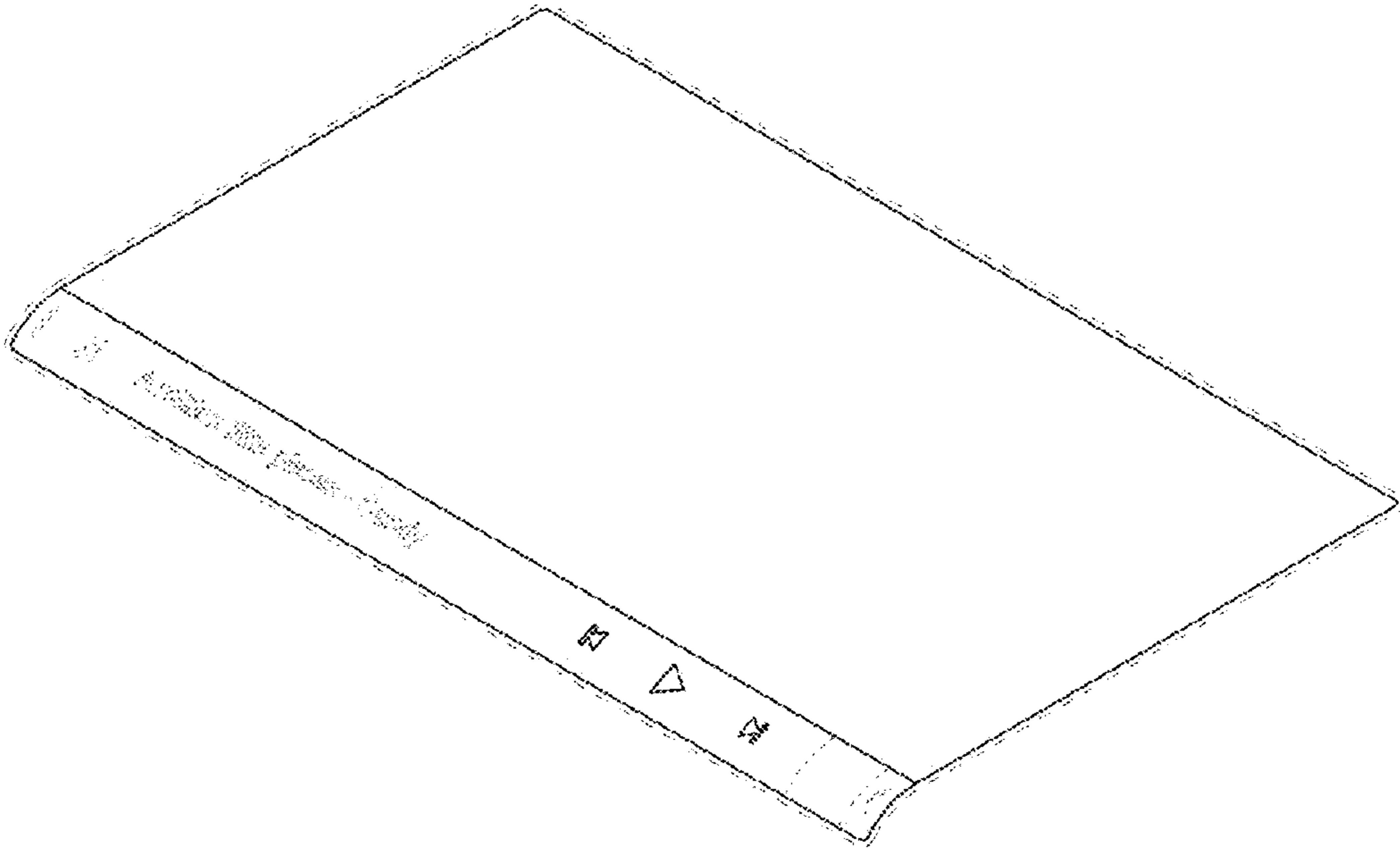


FIG. 2



FIG. 3



FIG.4

