



US00D758409S

(12) **United States Design Patent**
Aoshima

(10) **Patent No.:** **US D758,409 S**
(45) **Date of Patent:** **** Jun. 7, 2016**

(54) **DISPLAY SCREEN FOR DIGITAL CAMERA WITH GRAPHICAL USER INTERFACE**

(71) Applicant: **FUJIFILM Corporation**, Minato-ku, Tokyo (JP)

(72) Inventor: **Yuzo Aoshima**, Minato-ku (JP)

(73) Assignee: **FUJIFILM Corporation**, Tokyo (JP)

(**) Term: **14 Years**

(21) Appl. No.: **29/478,508**

(22) Filed: **Jan. 6, 2014**

(30) **Foreign Application Priority Data**

Jul. 11, 2013	(JP)	2013-015898
Jul. 11, 2013	(JP)	2013-015899
Jul. 11, 2013	(JP)	2013-015900
Jul. 11, 2013	(JP)	2013-015901

(51) **LOC (10) Cl.** **14-04**

(52) **U.S. Cl.**
USPC **D14/487; D14/491**

(58) **Field of Classification Search**
USPC D14/485-495
CPC . G06F 3/048; G06F 3/04842; G06F 3/04847;
G06F 3/0481; G06F 17/211; G06F 17/212
See application file for complete search history.

(56) **References Cited**

U.S. PATENT DOCUMENTS

D450,059 S	*	11/2001	Itou	D14/489
D450,324 S	*	11/2001	Istvan	D14/486

(Continued)

Primary Examiner — Eric Goodman

Assistant Examiner — Daniel J Domino

(74) *Attorney, Agent, or Firm* — Sughrue Mion, PLLC

(57) **CLAIM**

The ornamental design for a display screen for digital camera with graphical user interface, as shown and described.

DESCRIPTION

FIG. 1 is a top, rear and left side perspective view of a first embodiment of a display screen for digital camera with graphical user interface showing my new design;

FIG. 2 is an enlarged view of the display screen with graphical user interface shown in FIG. 1;

FIG. 3 is a further enlarged view of the graphical user interface shown in FIGS. 1 and 2;

FIG. 4 is a view of the graphical user interface shown in FIGS. 1-3 in an alternate state of use;

FIG. 5 is a view of the graphical user interface shown in FIGS. 1-4 in another alternate state of use;

FIG. 6 is a top, rear and left side perspective view of a second embodiment of a display screen for digital camera with graphical user interface showing my new design;

FIG. 7 is an enlarged view of the display screen with graphical user interface shown in FIG. 6;

FIG. 8 is a further enlarged view of the graphical user interface shown in FIGS. 6 and 7;

FIG. 9 is a view of the graphical user interface shown in FIGS. 6-8 in an alternate state of use; and

FIG. 10 is a view of the graphical user interface shown in FIGS. 6-9 in another alternate state of use;

FIG. 11 is a top, rear and left side perspective view of a third embodiment of a display screen for digital camera with graphical user interface showing my new design;

FIG. 12 is an enlarged view of the display screen with graphical user interface shown in FIG. 11;

FIG. 13 is a further enlarged view of the graphical user interface shown in FIGS. 11 and 12;

FIG. 14 is a view of the graphical user interface shown in FIGS. 11-13 in an alternate state of use;

FIG. 15 is a view of the graphical user interface shown in FIGS. 11-14 in another alternate state of use;

FIG. 16 is a top, rear and left side perspective view of a fourth embodiment of a display screen for digital camera with graphical user interface showing my new design;

FIG. 17 is an enlarged view of the display screen with graphical user interface shown in FIG. 16;

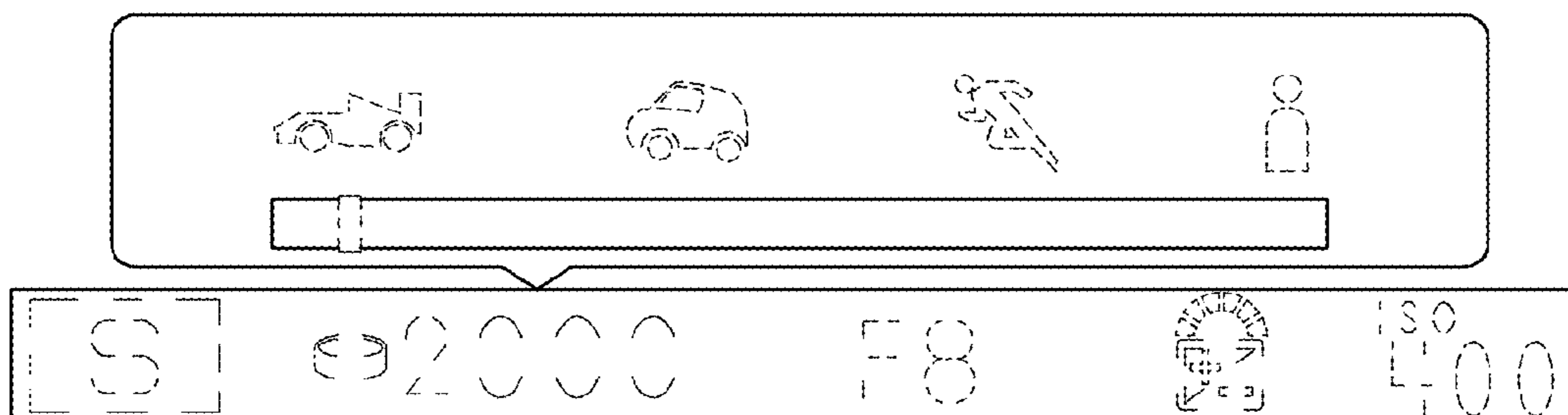
FIG. 18 is a further enlarged view of the graphical user interface shown in FIGS. 16 and 17;

FIG. 19 is a view of the graphical user interface shown in FIGS. 16-18 in an alternate state of use; and,

FIG. 20 is a view of the graphical user interface shown in FIGS. 16-19 in another alternate state of use.

The broken lines showing the digital camera and the display screen are for the purpose of illustrating environment only, and form no part of the claimed design. The broken lines showing elements of the graphical user interface illustrate portions of the article, and form no part of the claimed design.

1 Claim, 12 Drawing Sheets



(56)

References Cited

U.S. PATENT DOCUMENTS

D593,116 S *	5/2009	Garcia	D14/487	D734,356 S *	7/2015	Xiong	D14/487
D594,468 S *	6/2009	Bamford	D14/488	D734,767 S *	7/2015	Kadosh	D14/485
D595,309 S *	6/2009	Sasaki	D14/488	D735,221 S *	7/2015	Mishra	D14/486
D605,201 S *	12/2009	Lorenz	D14/488	D735,233 S *	7/2015	Francisco	D14/487
D614,193 S *	4/2010	Vandeberghe	D14/486	D736,805 S *	8/2015	Kadosh	D14/486
D633,517 S *	3/2011	Weir	D14/487	D737,831 S *	9/2015	Lee	D14/485
D683,748 S *	6/2013	Chutani	D14/487	D738,384 S *	9/2015	Kim	D14/485
D686,240 S *	7/2013	Lin	D14/488	D738,396 S *	9/2015	Kenmochi	D14/488
D696,682 S *	12/2013	Kim	D14/486	D738,397 S *	9/2015	Seo	D14/488
D697,521 S *	1/2014	Nishina	D14/486	D740,312 S *	10/2015	Heo	D14/487
D710,881 S *	8/2014	Francisco	D14/489	D740,325 S *	10/2015	Sterling	D14/495
D723,052 S *	2/2015	Lai	D14/486	D741,883 S *	10/2015	Kadosh	D14/486
D724,612 S *	3/2015	Lai	D14/486	D743,443 S *	11/2015	Miura	D14/491
D728,594 S *	5/2015	Myette	D14/486	D744,507 S *	12/2015	Fujioka	D14/486
D732,057 S *	6/2015	Jeong	D14/486	D745,033 S *	12/2015	Pal	D14/486
D732,567 S *	6/2015	Moon	D14/487	D746,831 S *	1/2016	Chaudhri	D14/485
D733,746 S *	7/2015	Hally	D14/488	D746,850 S *	1/2016	Steplyk	D14/486
					D747,326 S *	1/2016	Lim	D14/485
					D747,350 S *	1/2016	Fan	D14/492

* cited by examiner

FIG. 1

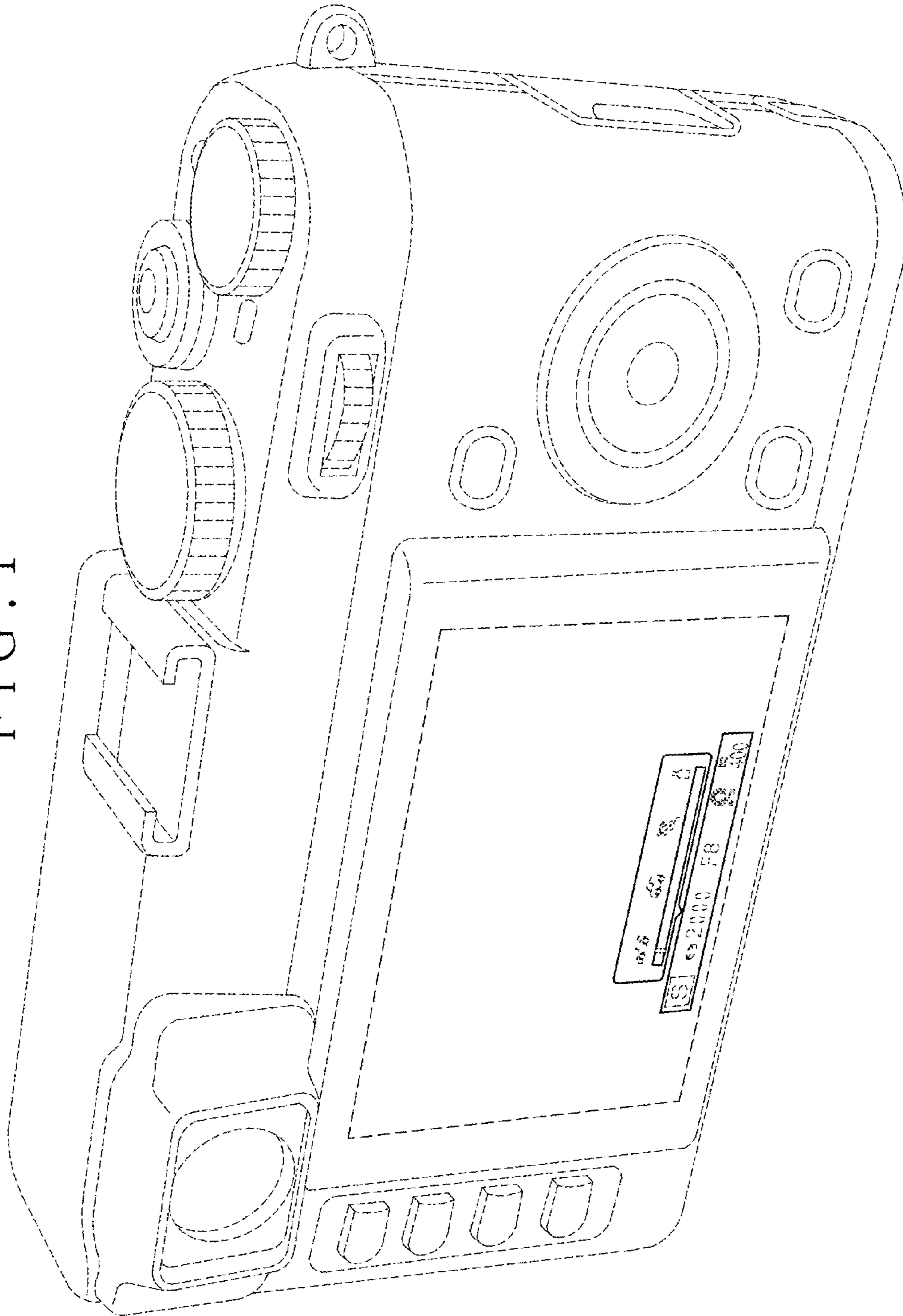


FIG. 2

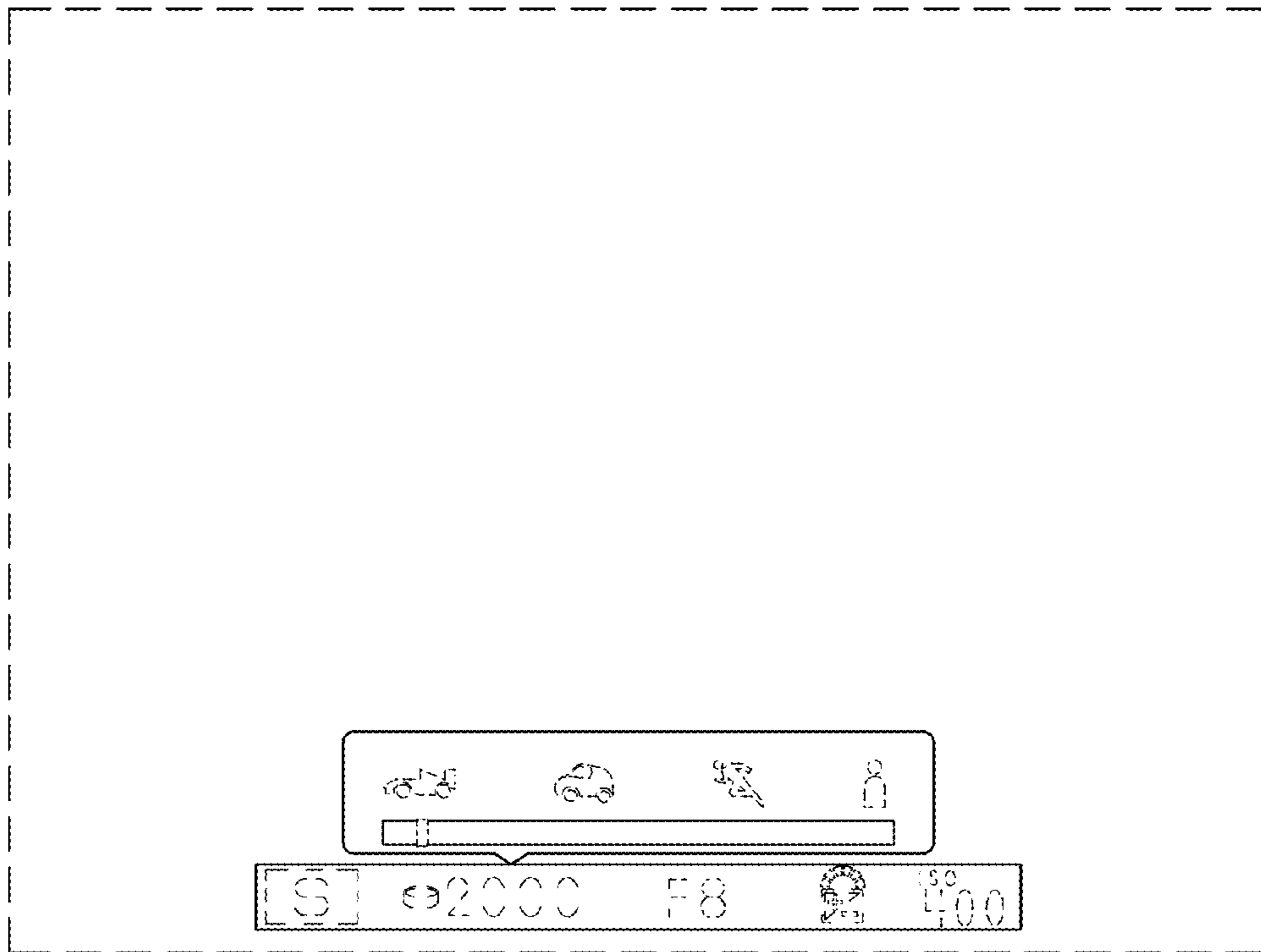


FIG. 3

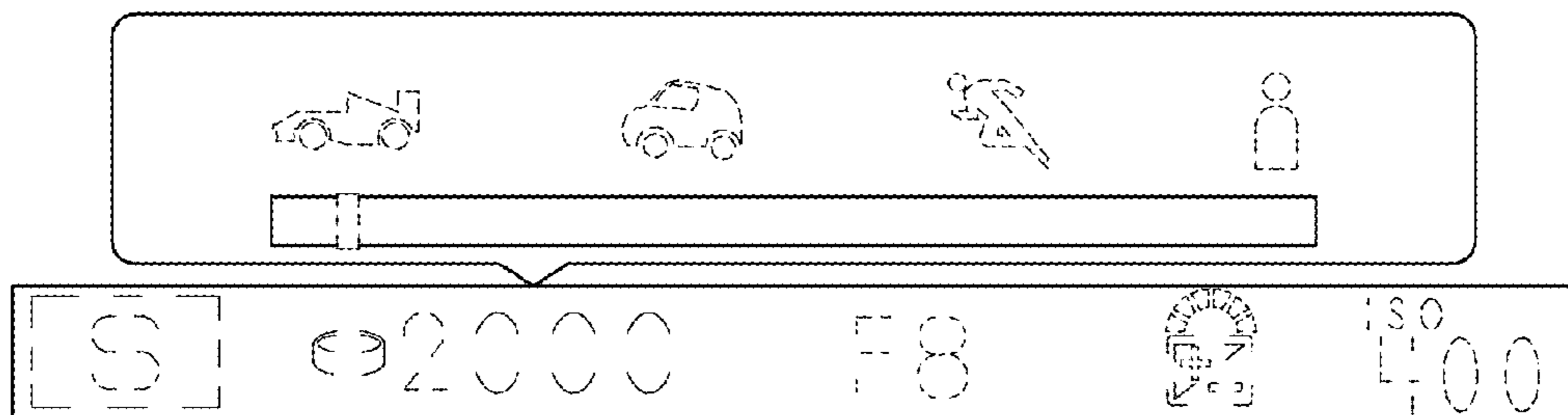


FIG. 4

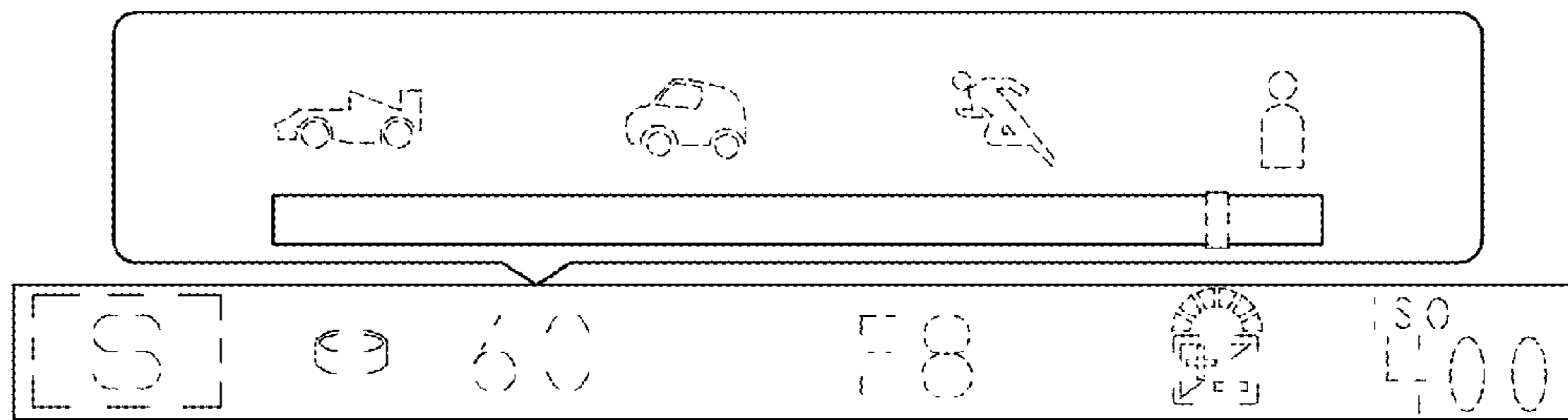


FIG. 5

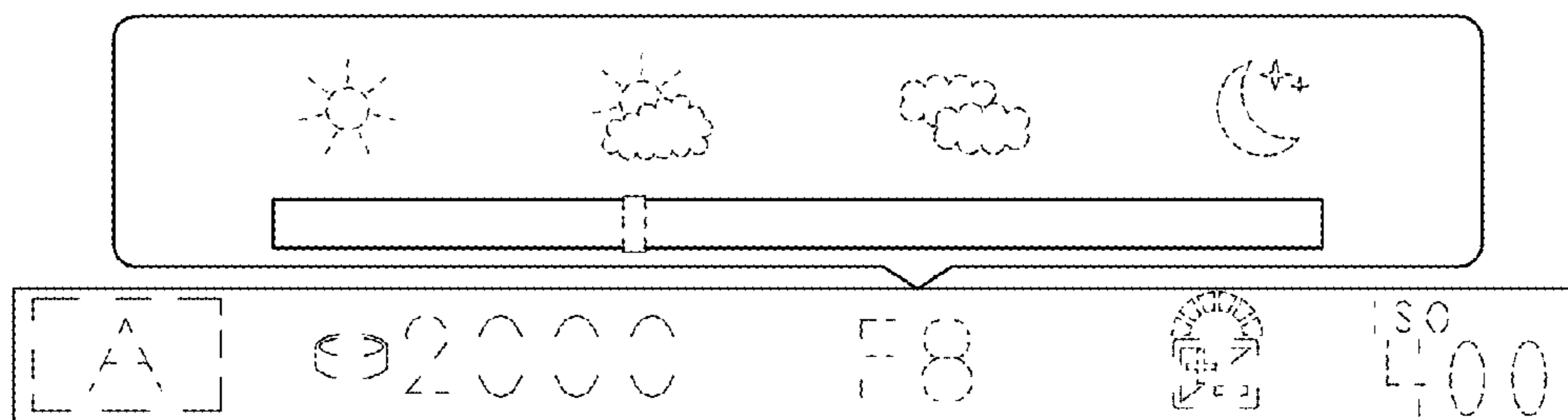


FIG. 7

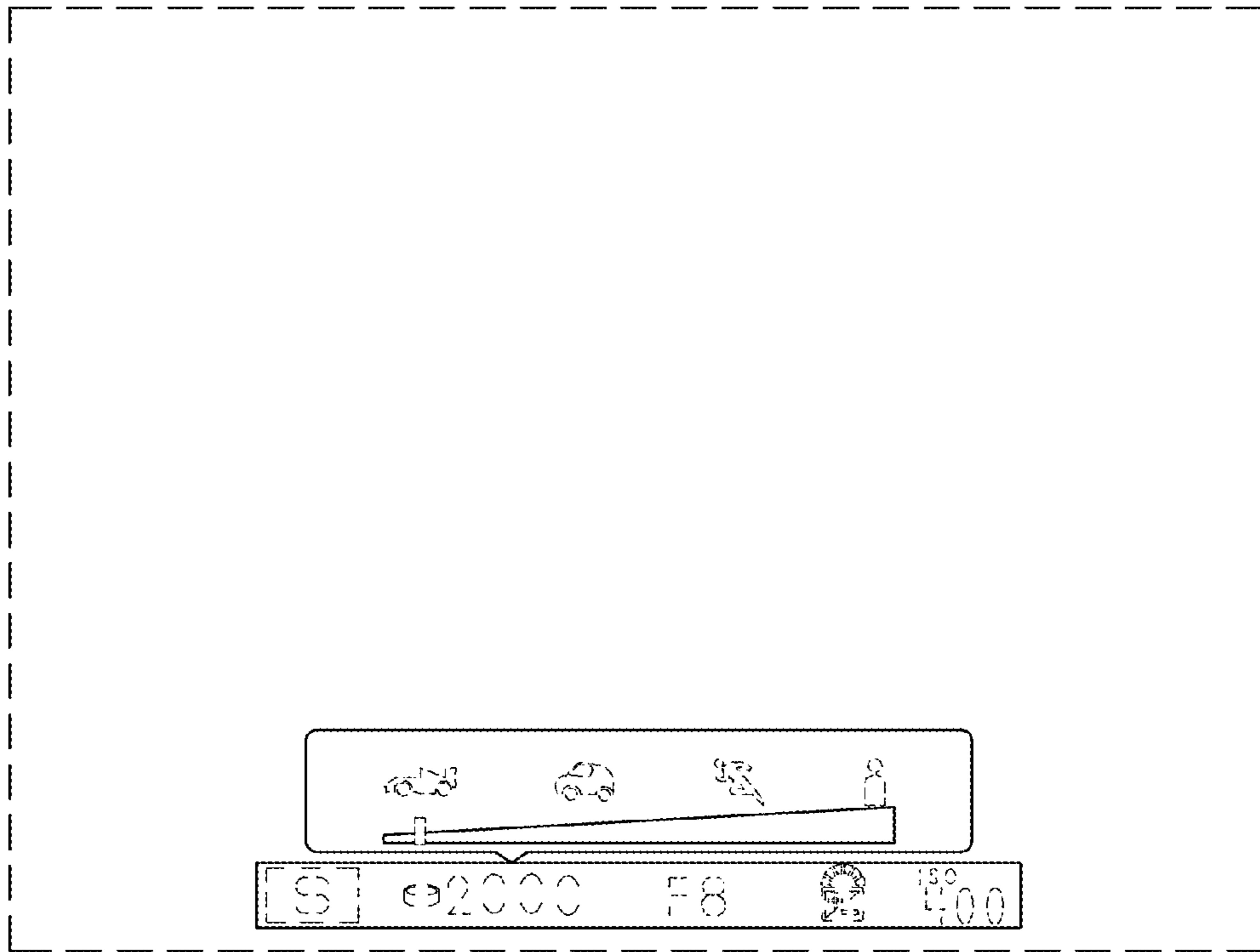


FIG. 8

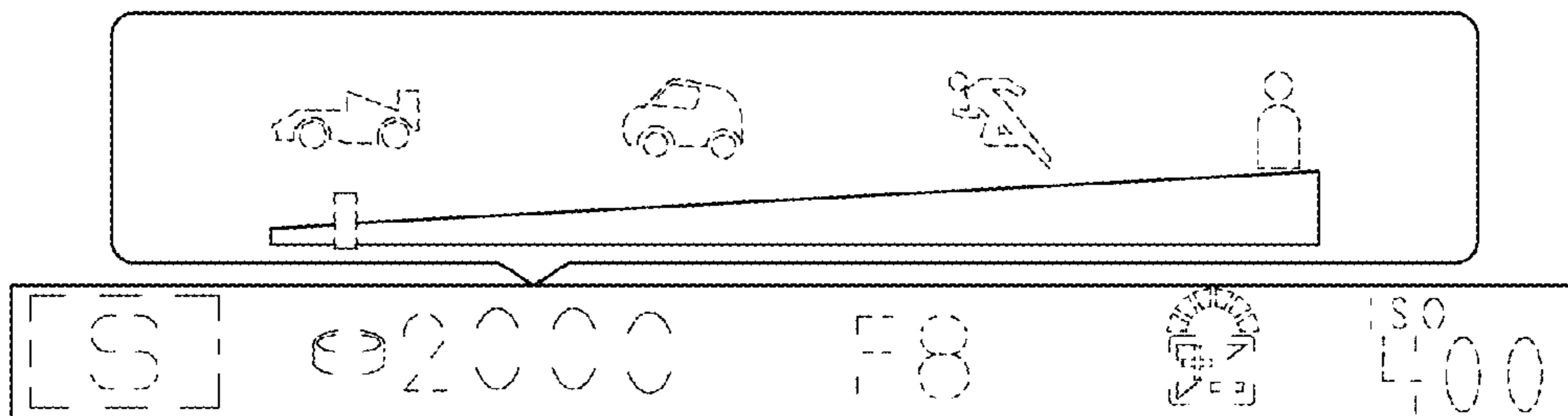


FIG. 9

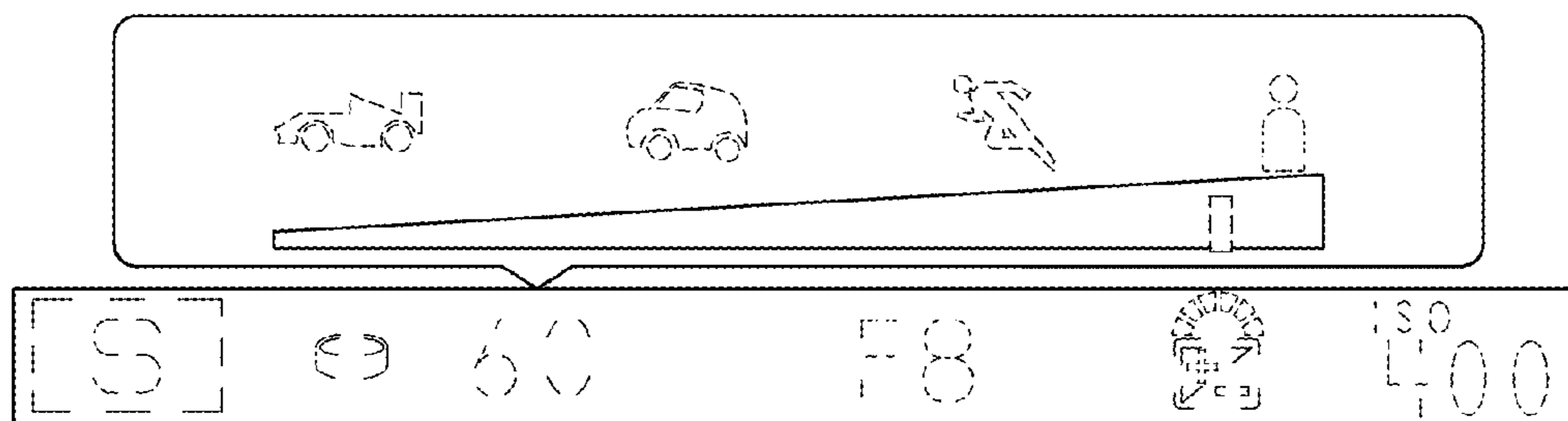


FIG. 10

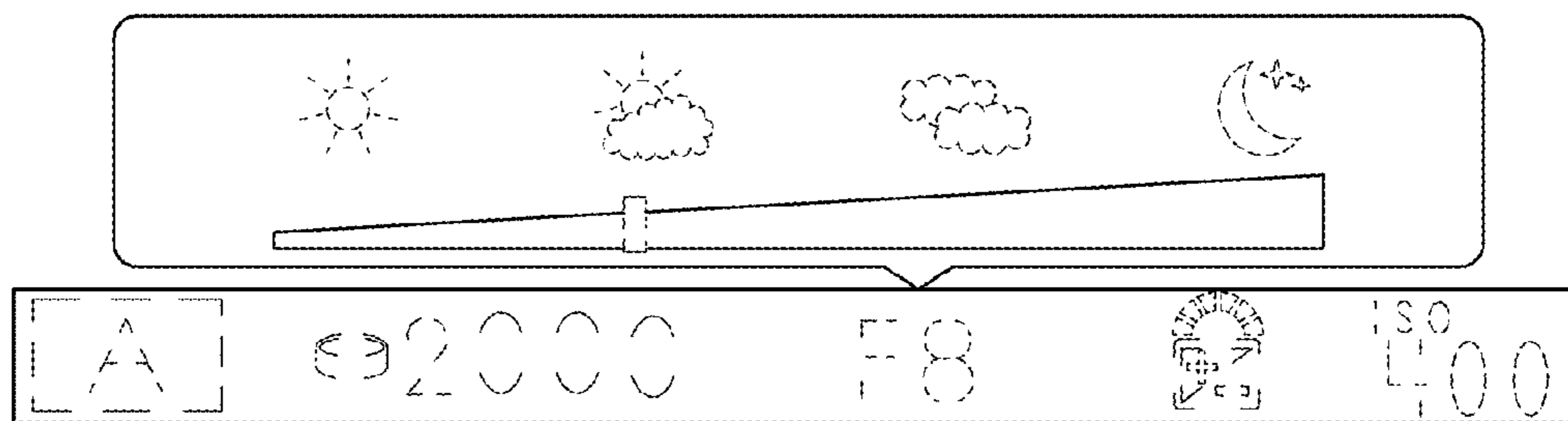


FIG. 11

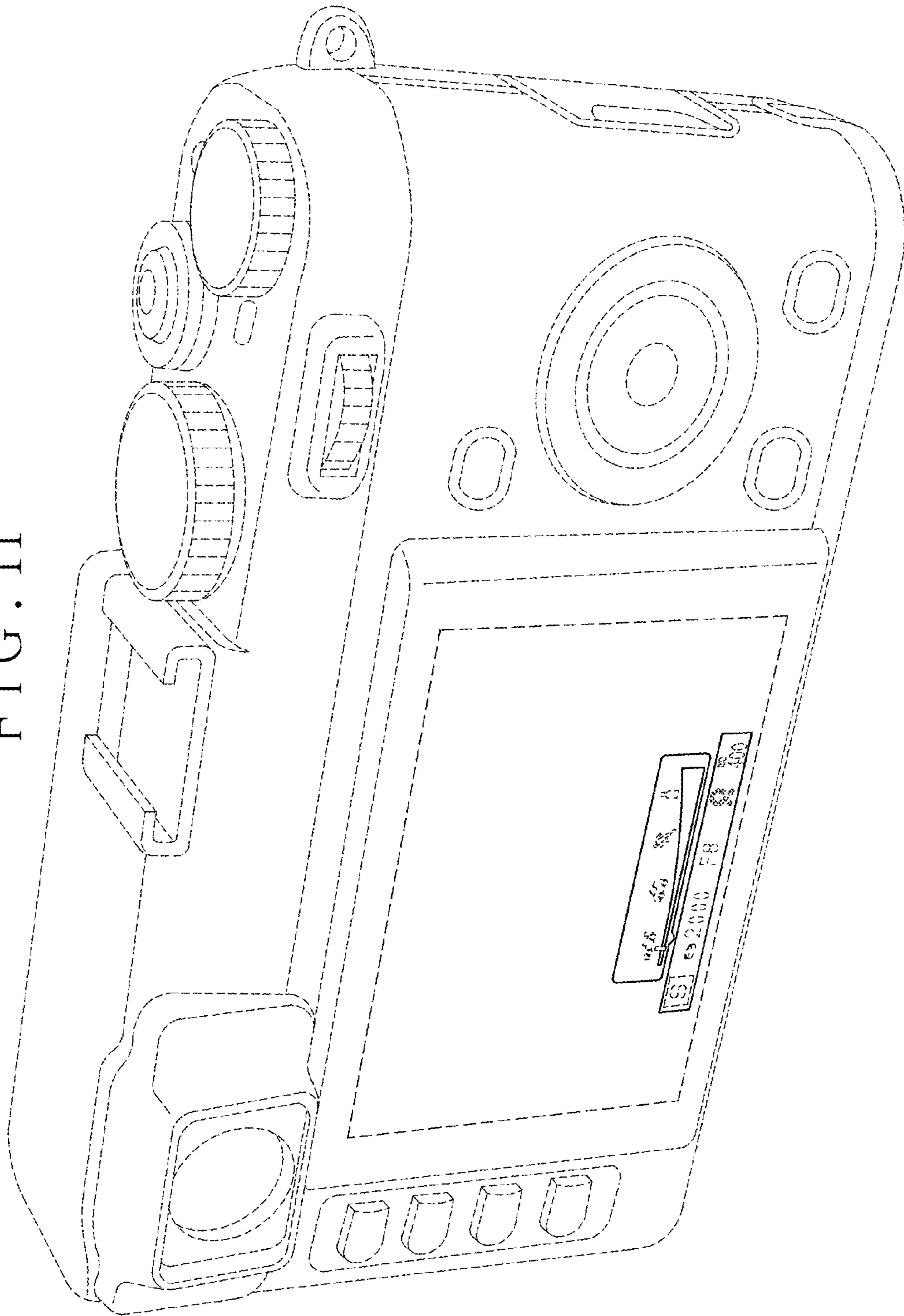


FIG. 12

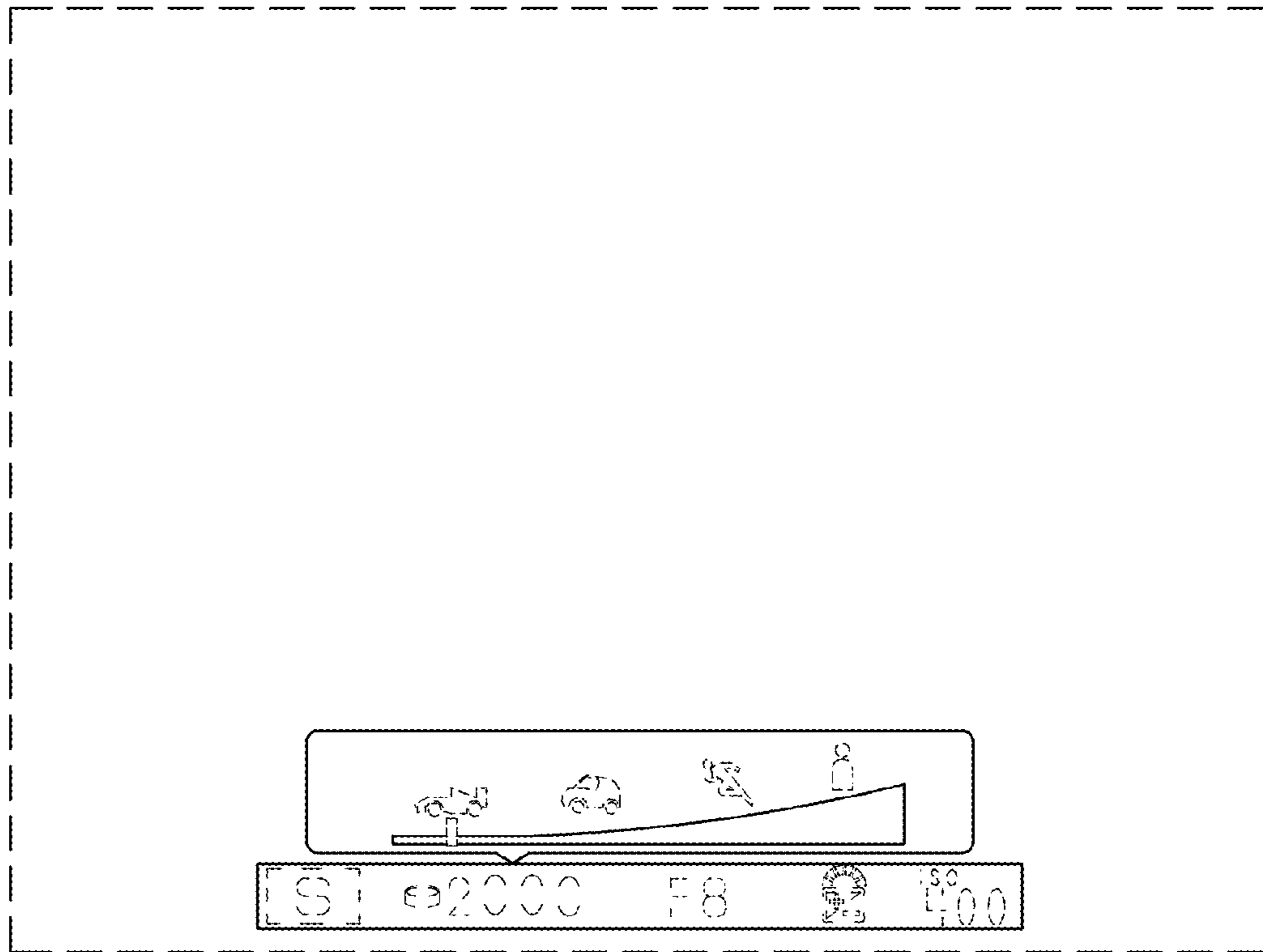


FIG. 13

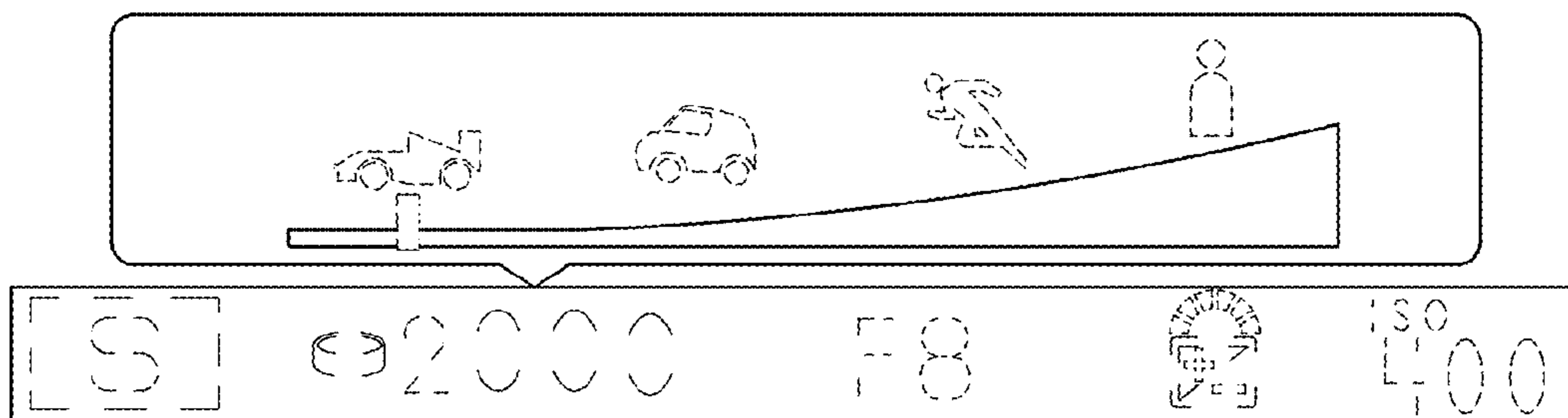


FIG. 14

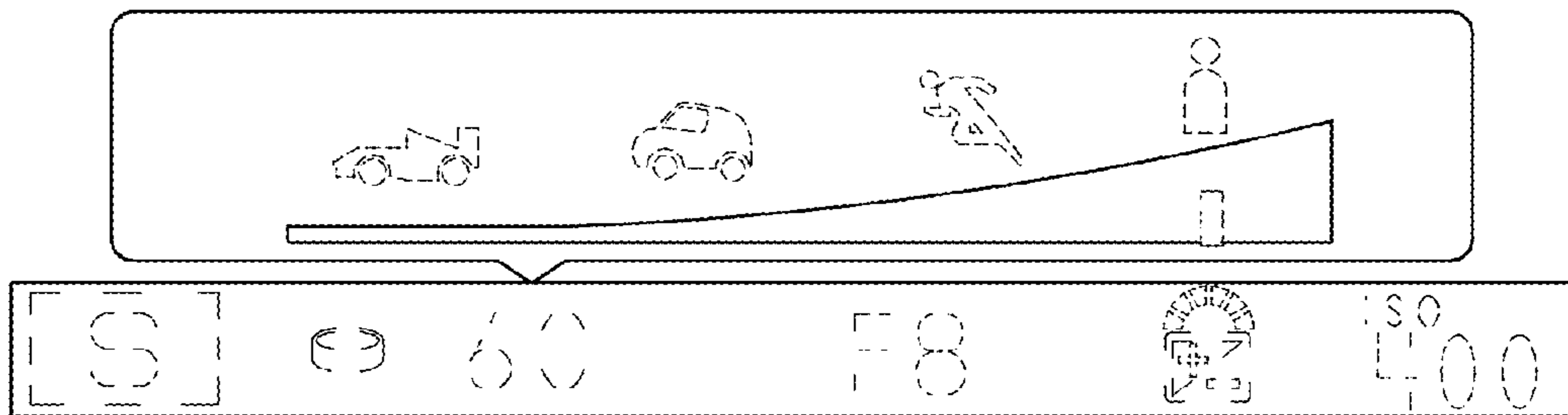


FIG. 15

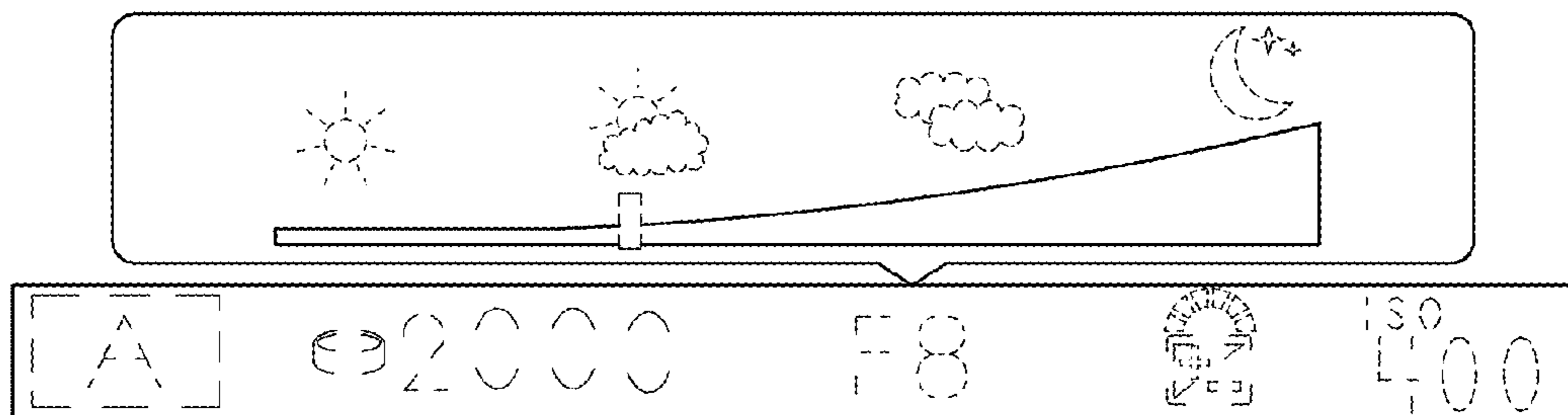


FIG. 16

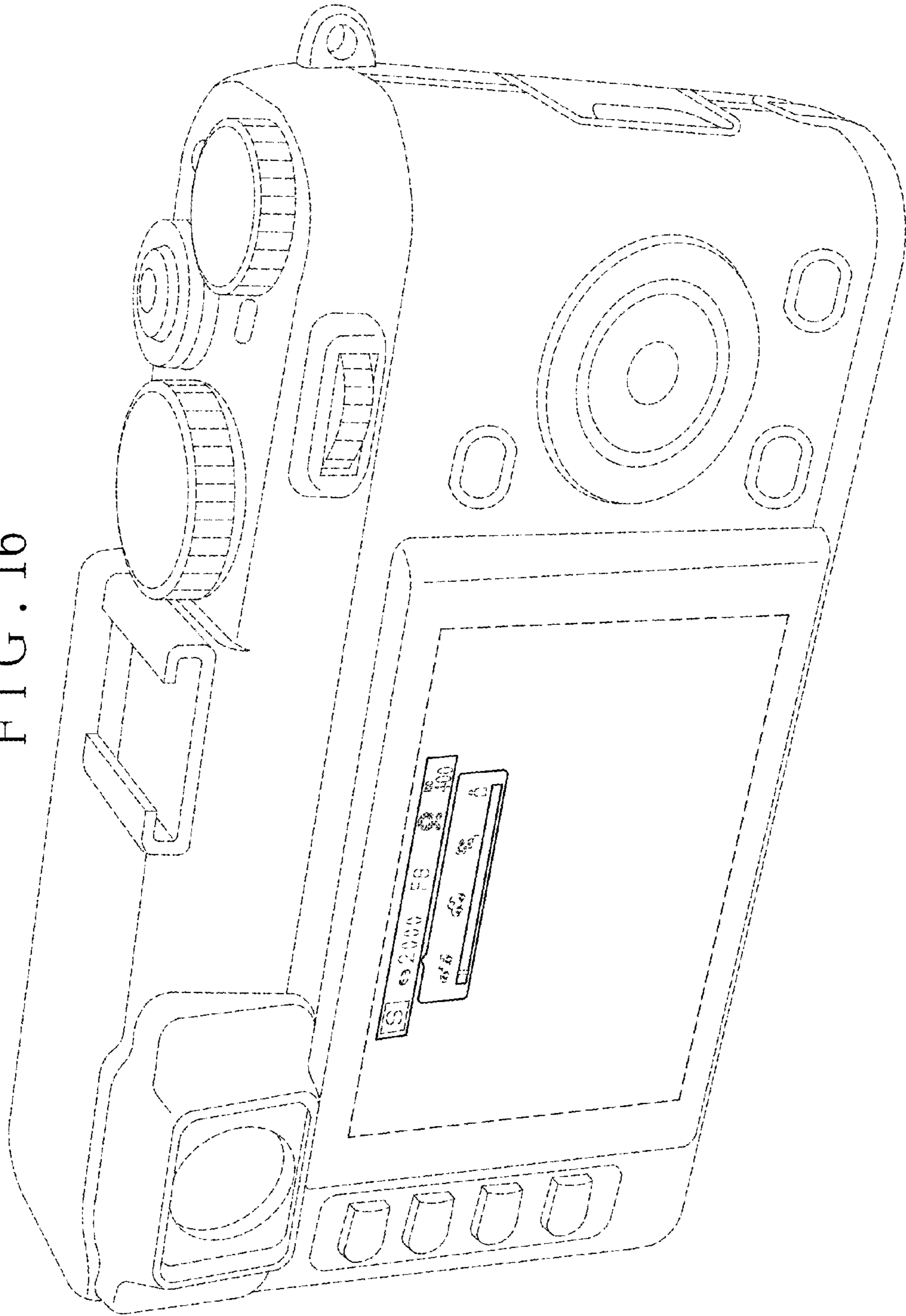


FIG. 17

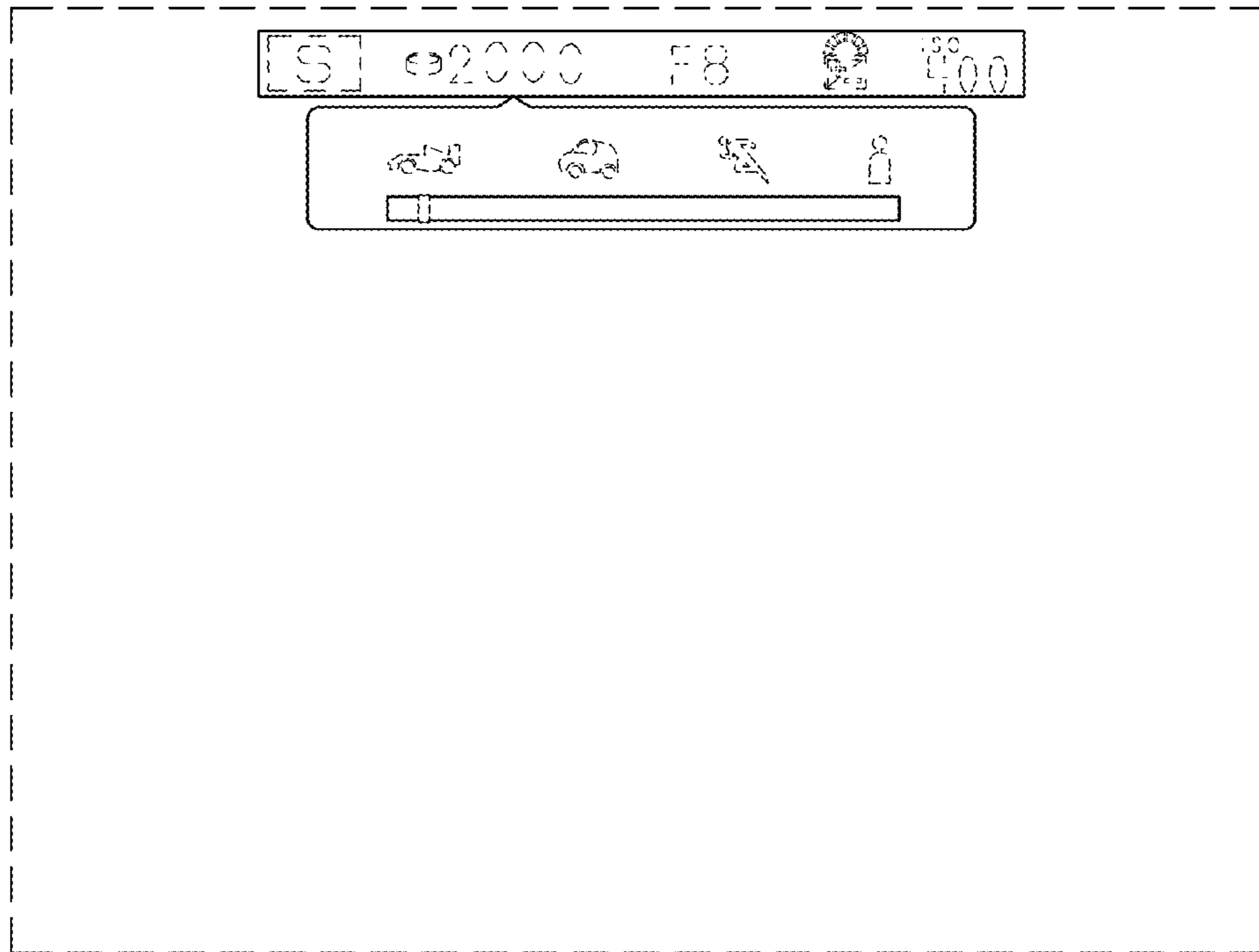


FIG. 18

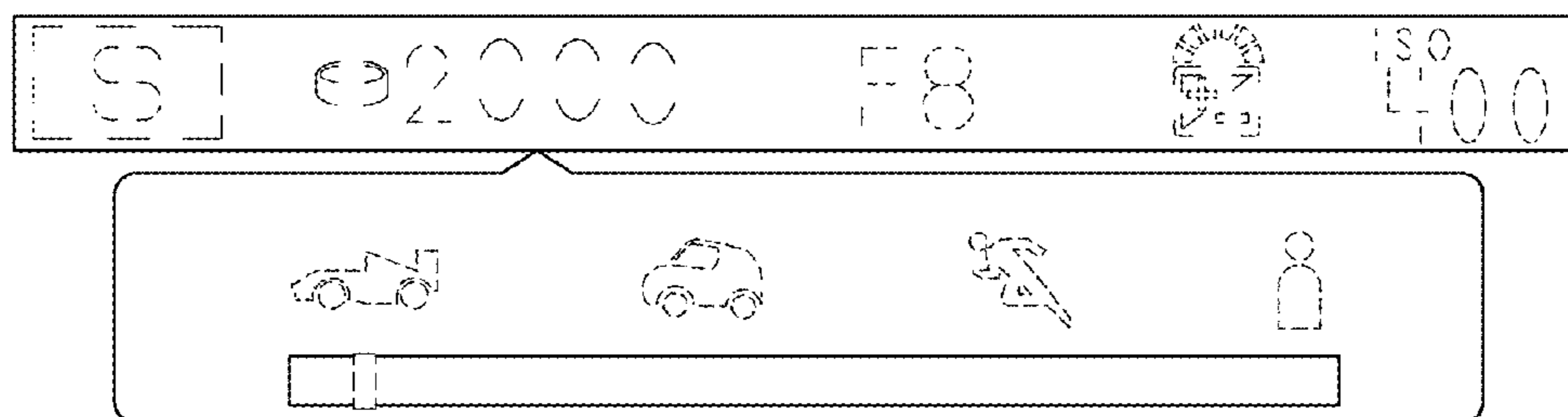


FIG. 19

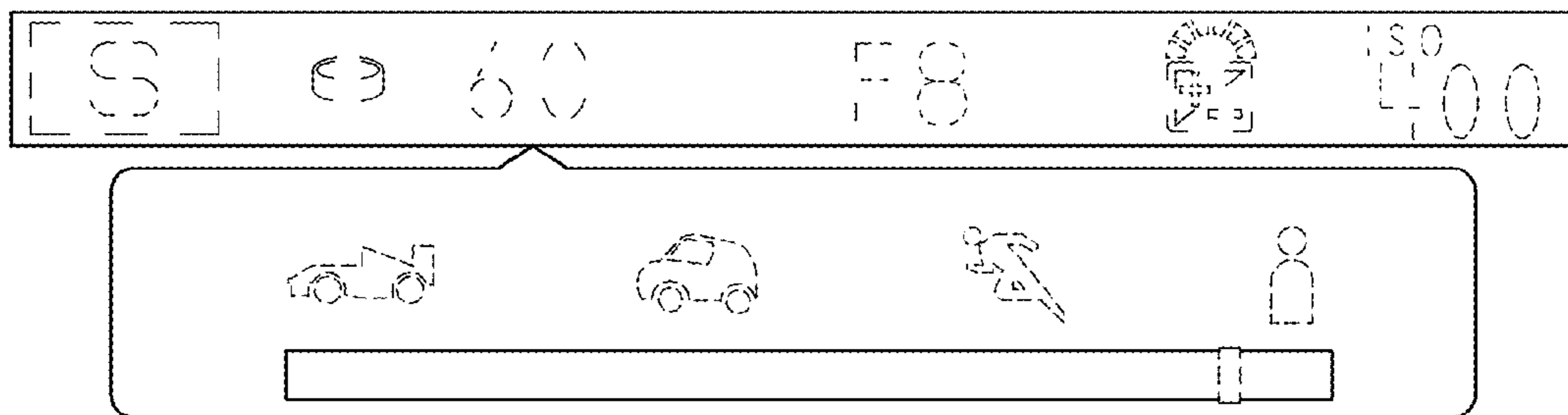


FIG. 20

