



US00D758403S

(12) **United States Design Patent**
Lee et al.

(10) **Patent No.:** **US D758,403 S**
(45) **Date of Patent:** **** Jun. 7, 2016**

(54) **DISPLAY SCREEN OR PORTION THEREOF WITH ANIMATED GRAPHICAL USER INTERFACE**

(71) Applicant: **Samsung Electronics Co., Ltd.**,
Suwon-si, Gyeonggi-do (KR)

(72) Inventors: **Jae-Myoung Lee**, Seoul (KR); **Jee-Won Lee**, Seoul (KR)

(73) Assignee: **SAMSUNG ELECTRONICS CO., LTD.**, Suwon-Si, Gyeonggi-Do (KR)

(**) Term: **14 Years**

(21) Appl. No.: **29/491,222**

(22) Filed: **May 19, 2014**

(30) **Foreign Application Priority Data**

Mar. 4, 2014 (KR) 30-2014-0010873

(51) **LOC (10) Cl.** **14-04**

(52) **U.S. Cl.**
USPC **D14/486**

(58) **Field of Classification Search**
USPC D14/485-488
CPC G06F 3/0482; G06F 3/04842
See application file for complete search history.

(56) **References Cited**

U.S. PATENT DOCUMENTS

D485,279	S	*	1/2004	DeCombe	D14/486
D615,546	S	*	5/2010	Lundy	D14/485
D656,952	S	*	4/2012	Weir	D14/488
D687,047	S	*	7/2013	Hales, IV	D14/485
D693,829	S	*	11/2013	Edwards	D14/485
D693,830	S	*	11/2013	Edwards	D14/485
D693,832	S	*	11/2013	Edwards	D14/485
D694,770	S	*	12/2013	Edwards	D14/485
D705,240	S	*	5/2014	Edwards	D14/485
D715,313	S	*	10/2014	Hontz, Jr.	D14/485
8,884,985	B2	*	11/2014	Shibata	G06F 3/0425

						345/158
D719,583	S	*	12/2014	Edwards	D14/488
D725,143	S	*	3/2015	Terleski	D14/489
D737,299	S	*	8/2015	Hisada	D14/486
D746,859	S	*	1/2016	Sabia	D14/488
2014/0149903	A1	*	5/2014	Ahn	G06F 3/0488 715/765
2014/0325439	A1	*	10/2014	Sohn	G06F 3/04883 715/810
2015/0186017	A1	*	7/2015	Lee	G06F 3/04842 715/771

* cited by examiner

Primary Examiner — Karen E Kearney

Assistant Examiner — Katherine Holbrow

(74) *Attorney, Agent, or Firm* — Ladas & Parry LLP

(57) **CLAIM**

The ornamental design for a display screen or portion thereof with animated graphical user interface, as shown and described.

DESCRIPTION

FIG. 1 is a front view of the first image in a sequence for a display screen or portion thereof with animated graphical user interface, showing our new design;

FIG. 2 is a front view of the second image thereof;

FIG. 3 is a front view of the third image thereof;

FIG. 4 is a front view of the fourth image thereof;

FIG. 5 is a front view of the fifth image thereof;

FIG. 6 is a front view of the sixth image thereof; and,

FIG. 7 is a front view of the seventh image thereof.

The outermost broken line rectangle showing of the display screen and all other broken lines showing portions of the graphical user interface are included for the purpose of illustrating portions of the article and form no part of the claimed design.

The appearance of the transitional image sequentially transitions between the images shown in FIGS. 1-7. The process or period in which one image transitions to another image forms no part of the claimed design.

1 Claim, 7 Drawing Sheets

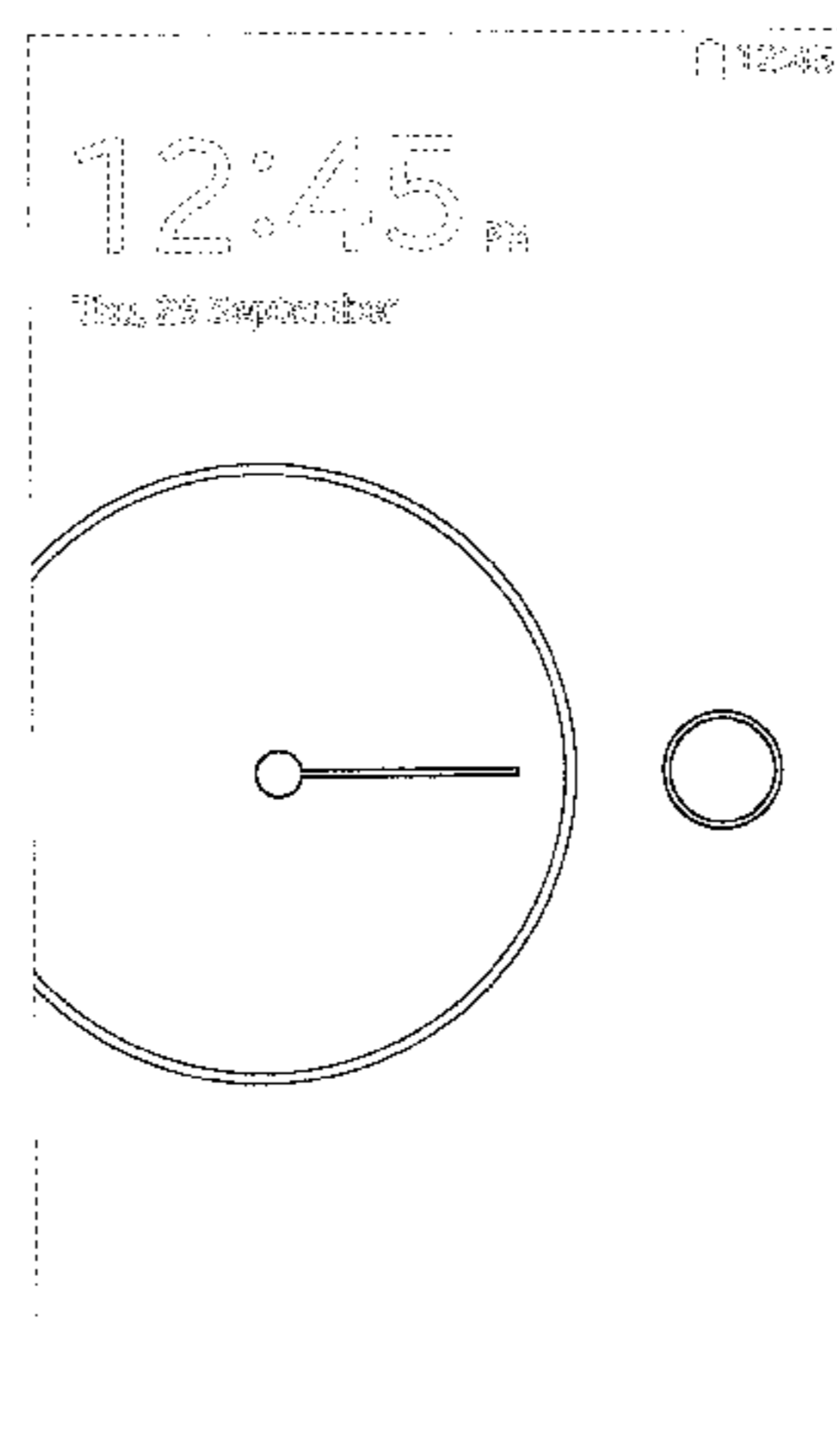
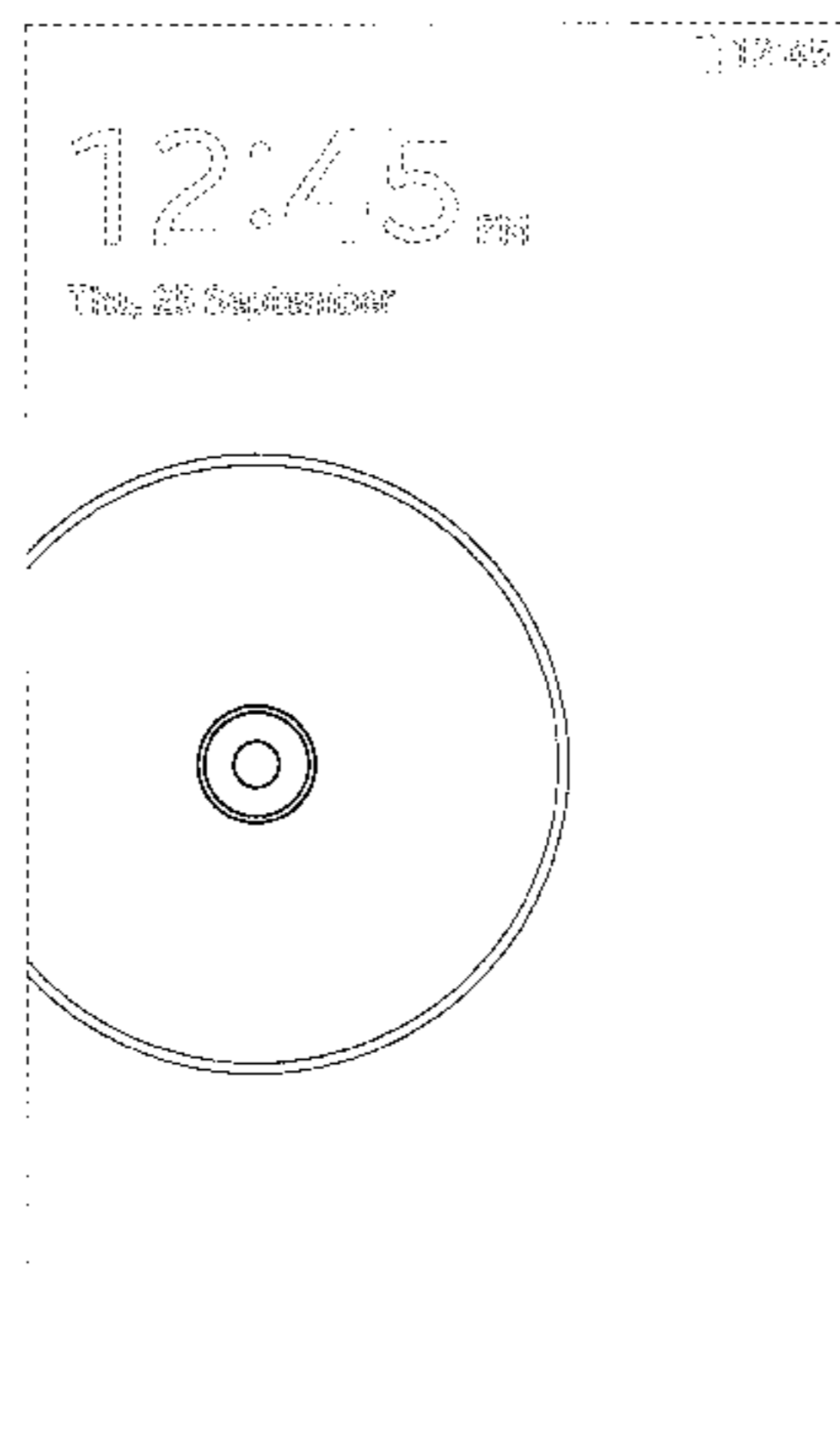


FIG. 1

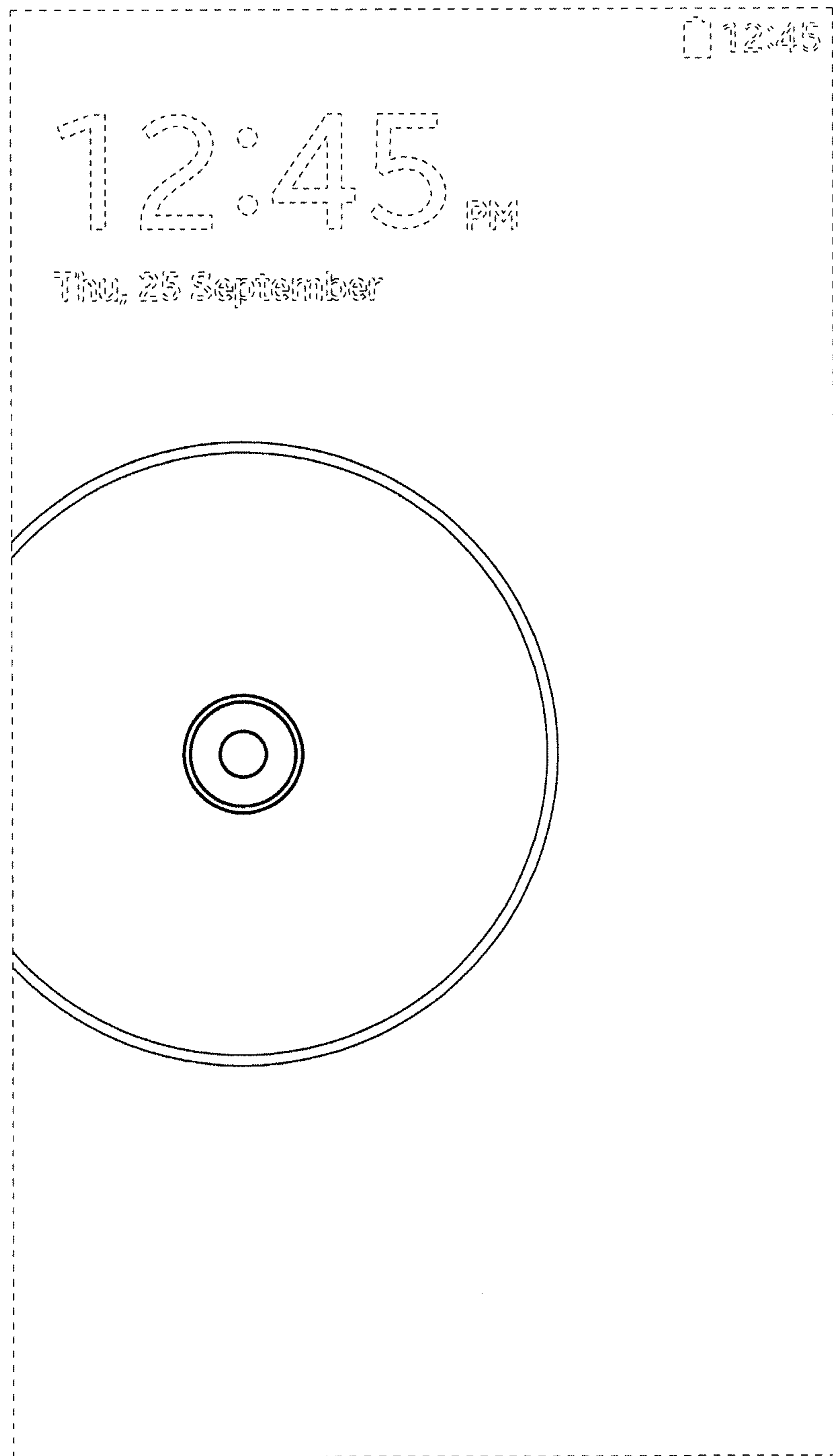


FIG. 2

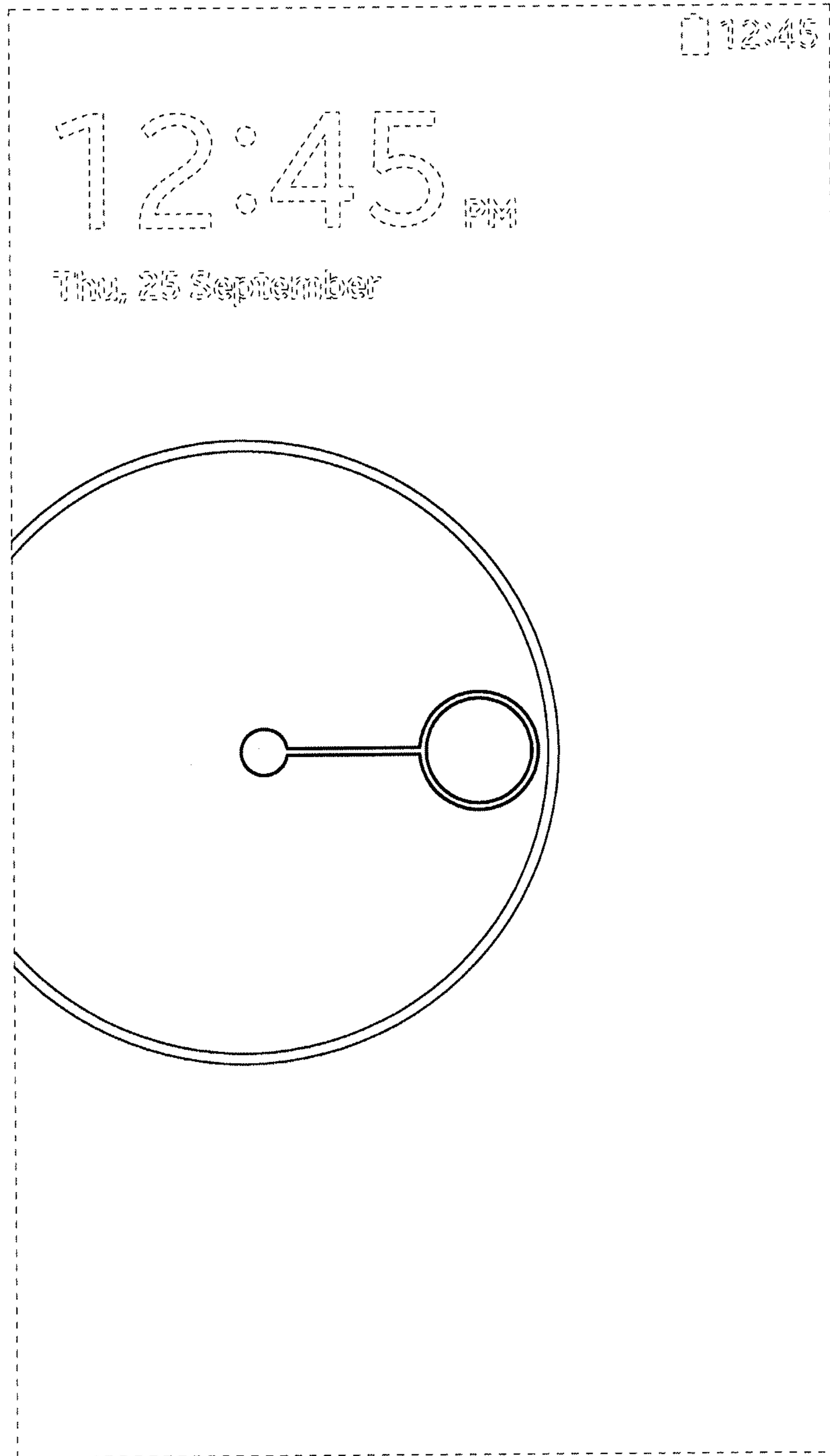


FIG. 3

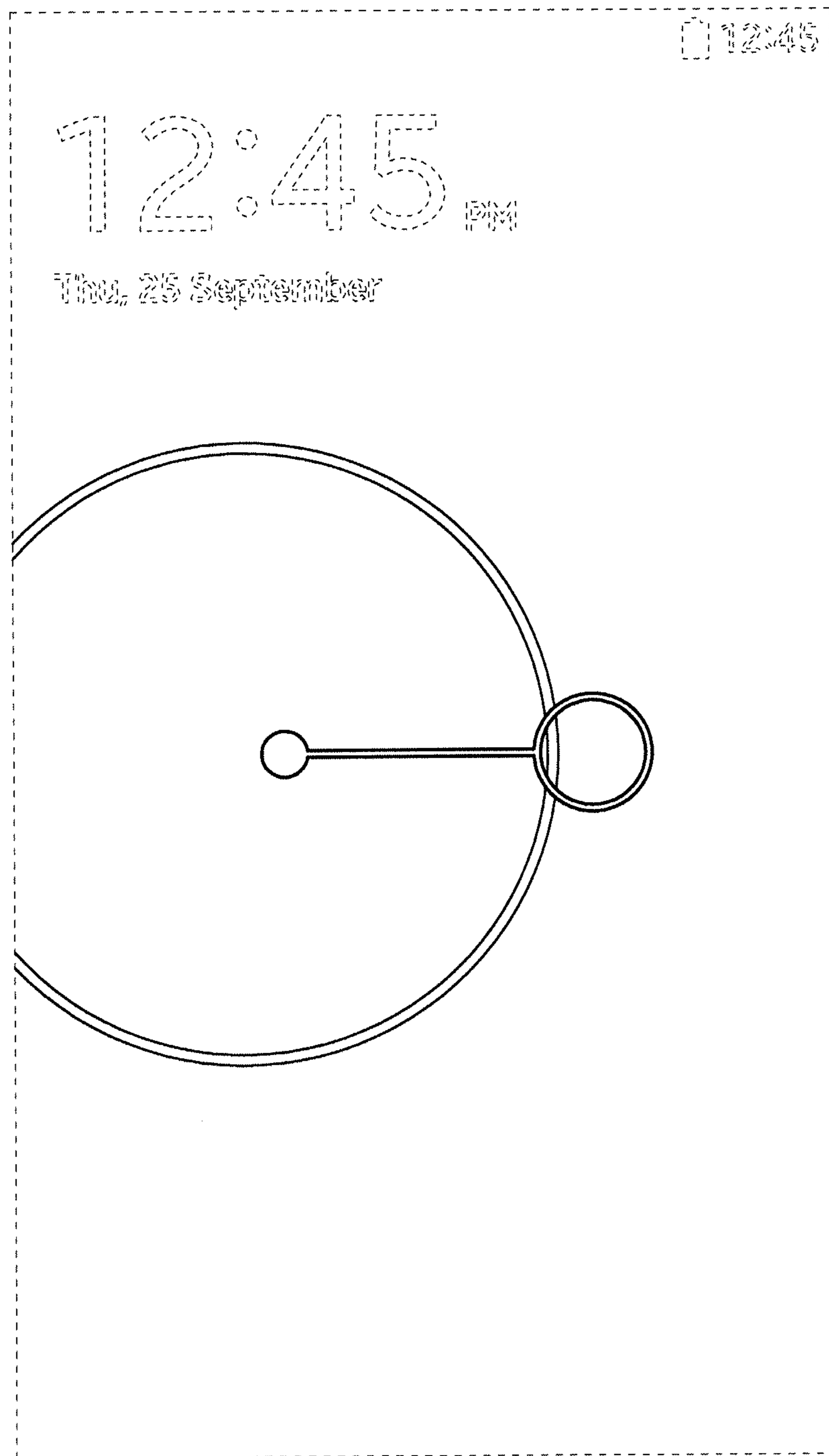


FIG. 4

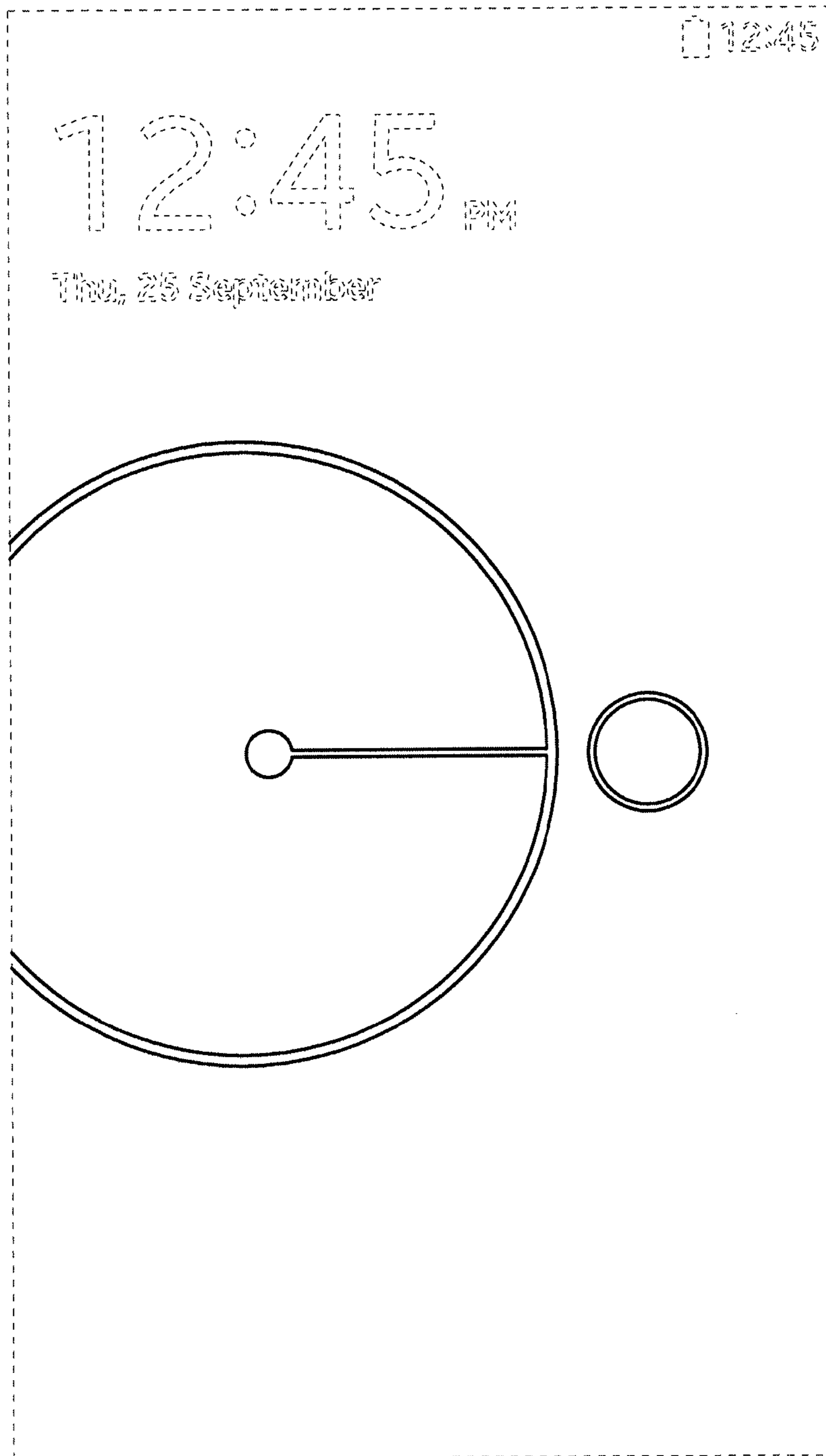


FIG. 5

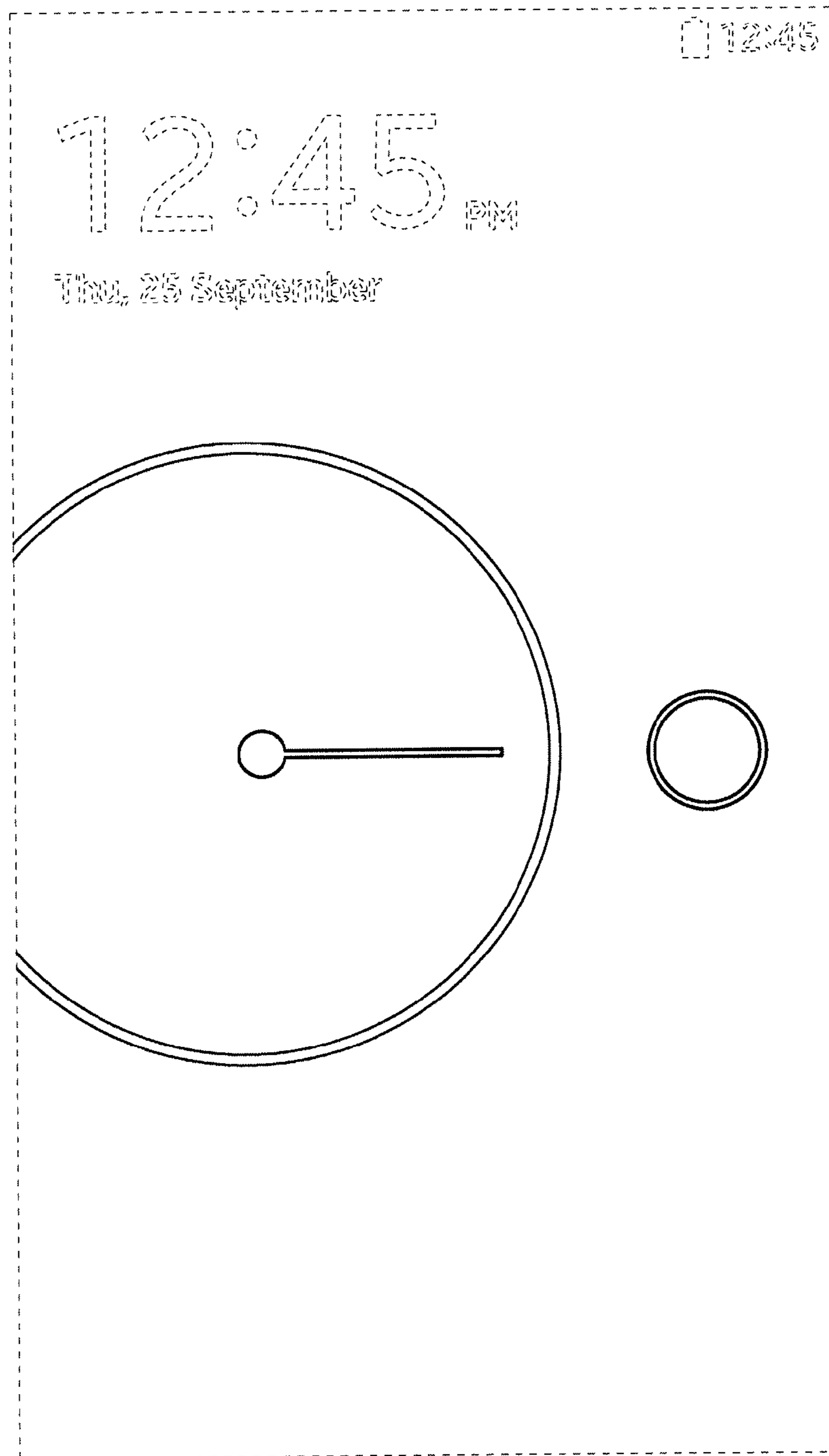


FIG. 6

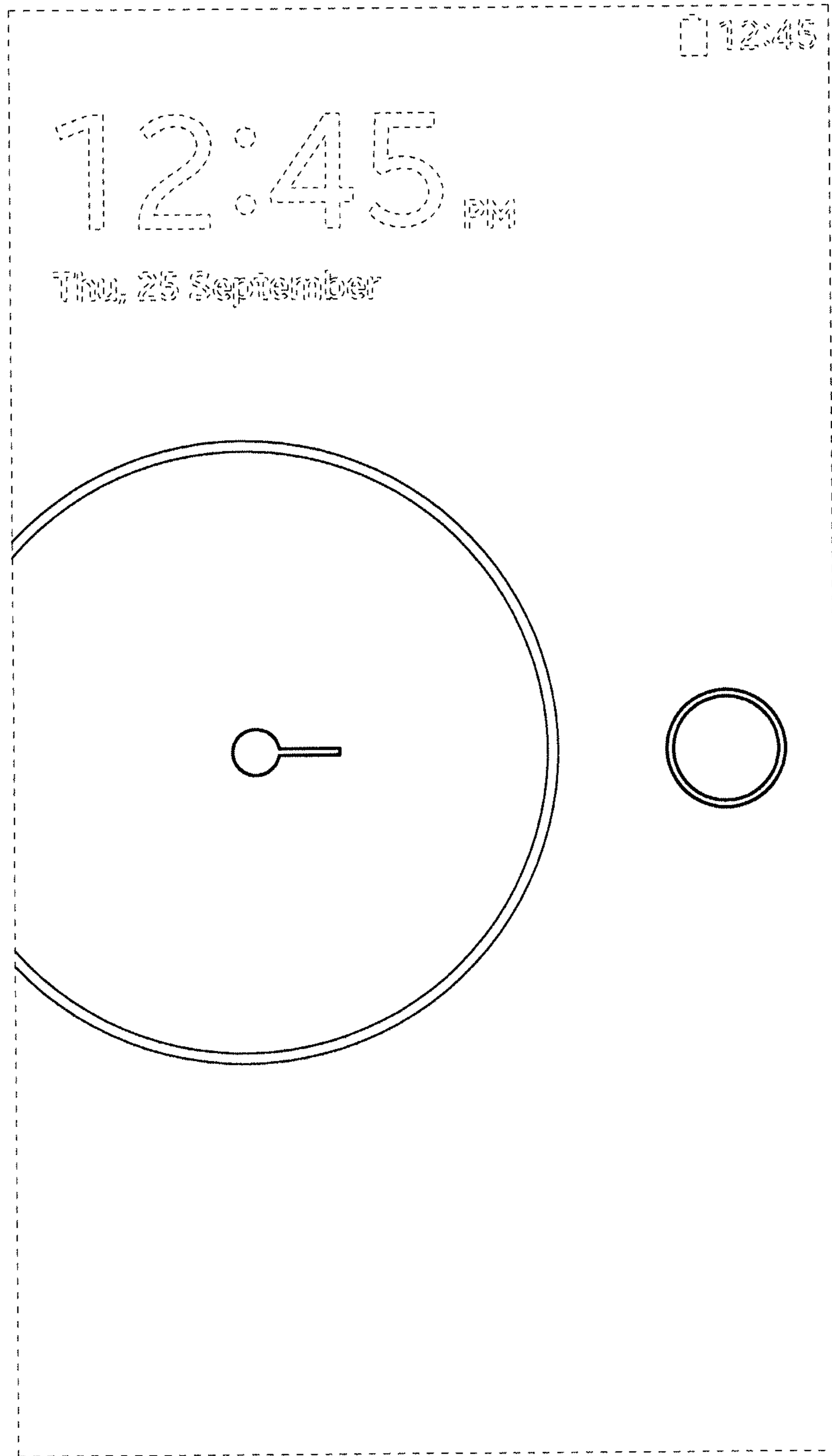


FIG. 7

