



US00D758395S

(12) **United States Design Patent**  
**Gutierrez et al.**

(10) **Patent No.:** **US D758,395 S**  
(45) **Date of Patent:** **\*\* Jun. 7, 2016**

- (54) **DISPLAY SCREEN INCLUDING A GRAPHICAL USER INTERFACE**
- (71) Applicant: **ACCO Brands Corporation**, Lake Zurich, IL (US)
- (72) Inventors: **Gerald A. Gutierrez**, Richmond (CA); **Sunny S. Chan**, Richmond (CA); **Megan Paskin**, San Jose, CA (US); **Juan E. Rodriguez**, Woodside, CA (US)
- (73) Assignee: **ACCO Brands Corporation**, Lake Zurich, IL (US)

D607,893	S	*	1/2010	Kanga	.....	D14/485
D612,399	S	*	3/2010	Fletcher	.....	D14/492
D621,845	S	*	8/2010	Anzures	.....	D14/486
D626,134	S	*	10/2010	Chaudhri	.....	D14/486
D650,802	S	*	12/2011	Jang	.....	D14/495
D659,765	S	*	5/2012	Taniguchi	.....	D21/329
D675,639	S		2/2013	Anzures et al.		
D714,819	S	*	10/2014	Wang	.....	D14/486
D728,616	S	*	5/2015	Gomez	.....	D14/491
D732,047	S	*	6/2015	Brouillette	.....	D14/454
D733,740	S	*	7/2015	Lee	.....	D14/487
D750,646	S	*	3/2016	Tawa	.....	D14/485
2007/0182533	A1	*	8/2007	Tanaka	.....	B60C 23/0444 340/447
2014/0173439	A1	*	6/2014	Gutierrez	.....	G08B 21/24 715/727

(\*\*) Term: **14 Years**

- (21) Appl. No.: **29/467,564**
- (22) Filed: **Sep. 20, 2013**
- (51) **LOC (10) Cl.** ..... **14-04**
- (52) **U.S. Cl.**  
USPC ..... **D14/486**
- (58) **Field of Classification Search**  
USPC ..... D14/329, 331, 454, 486, 487, 488, 491,  
D14/492, 494, 495, 485; D21/329, 333;  
200/5 R, 6 A, 331; 715/727, 738;  
273/148 B; 345/163, 167; 340/447;  
D18/27  
CPC ..... G05G 1/02; G08B 21/24; H04L 12/26;  
H04L 43/10; G06F 3/0482; G06F 3/03543;  
B60C 23/0444  
See application file for complete search history.

- (56) **References Cited**  
U.S. PATENT DOCUMENTS  
D281,081 S \* 10/1985 Zwissler ..... D14/488  
5,486,845 A \* 1/1996 Chait ..... G06F 3/03543  
273/148 B  
7,449,650 B2 \* 11/2008 Richardson ..... G05G 1/02  
200/331  
D590,838 S \* 4/2009 Bisig ..... D14/492

**OTHER PUBLICATIONS**

“Kensington Proximo”, posted at cachem.fr, Feb. 25, 2013, [site visited Dec. 30, 2015]. Available from Internet: <<http://www.cachem.fr/kensington-proximo>>.\*

“Proximo”, posted at itunes.apple.com, Oct. 25, 2013, [site visited Dec. 30, 2015]. Available from Internet: <<https://web.archive.org/web/20131229205345/https://itunes.apple.com/us/app/proximo/id587074641?mt=8>>.\*

(Continued)

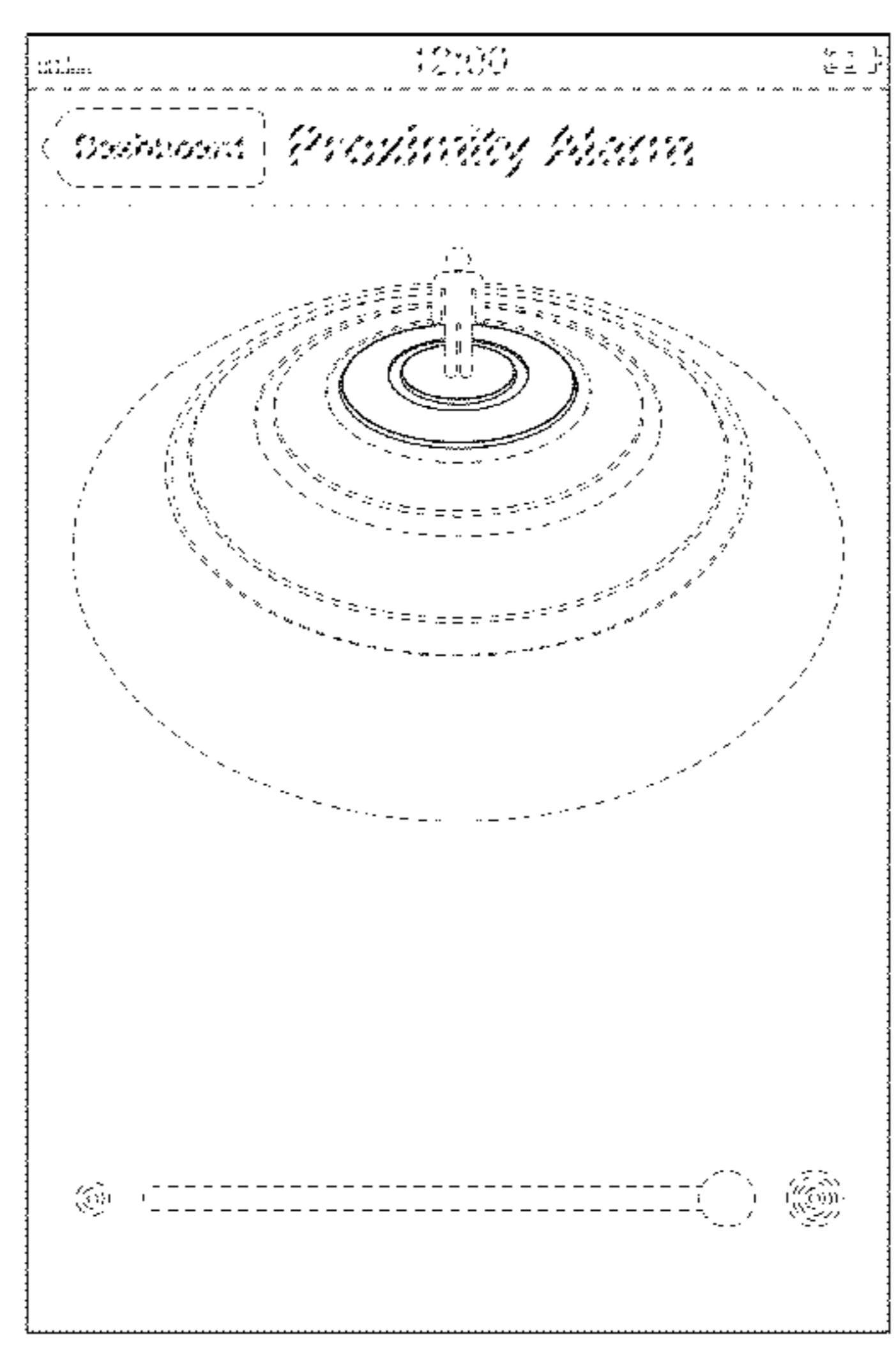
*Primary Examiner* — Karen E Kearney  
*Assistant Examiner* — John M Otte  
(74) *Attorney, Agent, or Firm* — Michael Best & Friedrich LLP

(57) **CLAIM**  
We claim the ornamental design for a display screen including a graphical user interface, as shown and described.

**DESCRIPTION**

The sole FIGURE is a front view of a display screen including a graphical user interface of the design. Portions of the graphical user interface shown in broken lines form no part of the claimed design.

**1 Claim, 1 Drawing Sheet**



(56)

**References Cited**

OTHER PUBLICATIONS

Breitner, Joachim, “My very first font”, posted at joachim-breitner.de, Nov. 13, 2008, [site visited Dec. 30, 2015]. Available from Internet: <[https://www.joachim-breitner.de/blog/310-My\\_very\\_first\\_font](https://www.joachim-breitner.de/blog/310-My_very_first_font)>.\*

“SinkTop Switch”, posted at republicsupplyco.com, Nov. 4, 2006, [site visited Mar. 23, 2016]. Available from Internet: <[http://www.republicsupplyco.com/SpecSheets/sinktop\\_switch\\_brochure.pdf](http://www.republicsupplyco.com/SpecSheets/sinktop_switch_brochure.pdf)>.\*

“Mobile Alarm System—Protection for your smartphone”, posted at androidpit.com, Sep. 17, 2012, [site visited Mar. 22, 2016]. Available from Internet: <<https://www.androidpit.com/mobile-alarm-system-protection-for-your-smartphone>>.\*

“Drawing an Bullseye in PowerPoint 2010 Using Shapes”, posted at free-power-point-templates.com, Sep. 24, 2012, [site visited Mar. 23, 2016]. Available from Internet: <<http://www.free-power-point-templates.com/articles/drawing-an-bullseye-in-powerpoint-2010-using-shapes>>.\*

“Mi-Zone”, posted at packstore.anvil.net, Dec. 15, 2012, [site visited Mar. 22, 2016]. Available from Internet: <<http://packstore.anvil.net/products/mi-zone>>.\*

US Department of Transportation; [http://en.wikipedia.org/wiki/DOT\\_pictograms](http://en.wikipedia.org/wiki/DOT_pictograms); available before Sep. 20, 2013 (5 pgs).

Canada FIP program signage; [http://www.tbs-sct.gc.ca/fip-pcim/man\\_4\)1-eng.asp#a8](http://www.tbs-sct.gc.ca/fip-pcim/man_4)1-eng.asp#a8); available before Sep. 20, 2013 (21 pgs).

\* cited by examiner

