



US00D758385S

(12) **United States Design Patent**
Dong et al.

(10) **Patent No.:** **US D758,385 S**
(45) **Date of Patent:** **** Jun. 7, 2016**

(54) **DISPLAY SCREEN OR PORTION THEREOF WITH ANIMATED GRAPHICAL USER INTERFACE**

Primary Examiner — Eric Goodman
Assistant Examiner — Megan M Majcher Hartnett
(74) *Attorney, Agent, or Firm* — Slater Matsil, LLP

(71) Applicant: **Huawei Device Co., LTD**, Shenzhen (CN)

(72) Inventors: **Tiantian Dong**, Shenzhen (CN);
Yuanyou Wei, Shenzhen (CN)

(73) Assignee: **Huawei Device Co., Ltd.**, Shenzhen (CN)

(**) Term: **14 Years**

(21) Appl. No.: **29/488,058**

(22) Filed: **Apr. 15, 2014**

(51) **LOC (10) Cl.** **14-04**

(52) **U.S. Cl.**
USPC **D14/485**

(58) **Field of Classification Search**
USPC D14/485–495, 138, 344, 510; 715/702,
715/715, 739, 963, 977, 716, 726
CPC ... G06F 3/0489; G06F 3/048; G06F 3/04817;
G06F 3/0486; G06F 2203/04803; H04N
1/00196; G06T 13/80
See application file for complete search history.

(56) **References Cited**

U.S. PATENT DOCUMENTS

D559,855 S * 1/2008 Sato D14/486
7,523,414 B2 * 4/2009 Schmidt G06F 3/0481
715/762
D607,001 S * 12/2009 Ording D14/486
D611,053 S * 3/2010 Kanga D14/485
D640,272 S * 6/2011 Arnold D14/487

(Continued)

OTHER PUBLICATIONS

‘Flipping Tiles’. youtube.com [online]. Aug. 22, 2011 [retrieved Oct. 19, 2015]. Retrieved from the Internet: <URL: <https://www.youtube.com/watch?v=WHGbb3VtHhQ>>.*

(Continued)

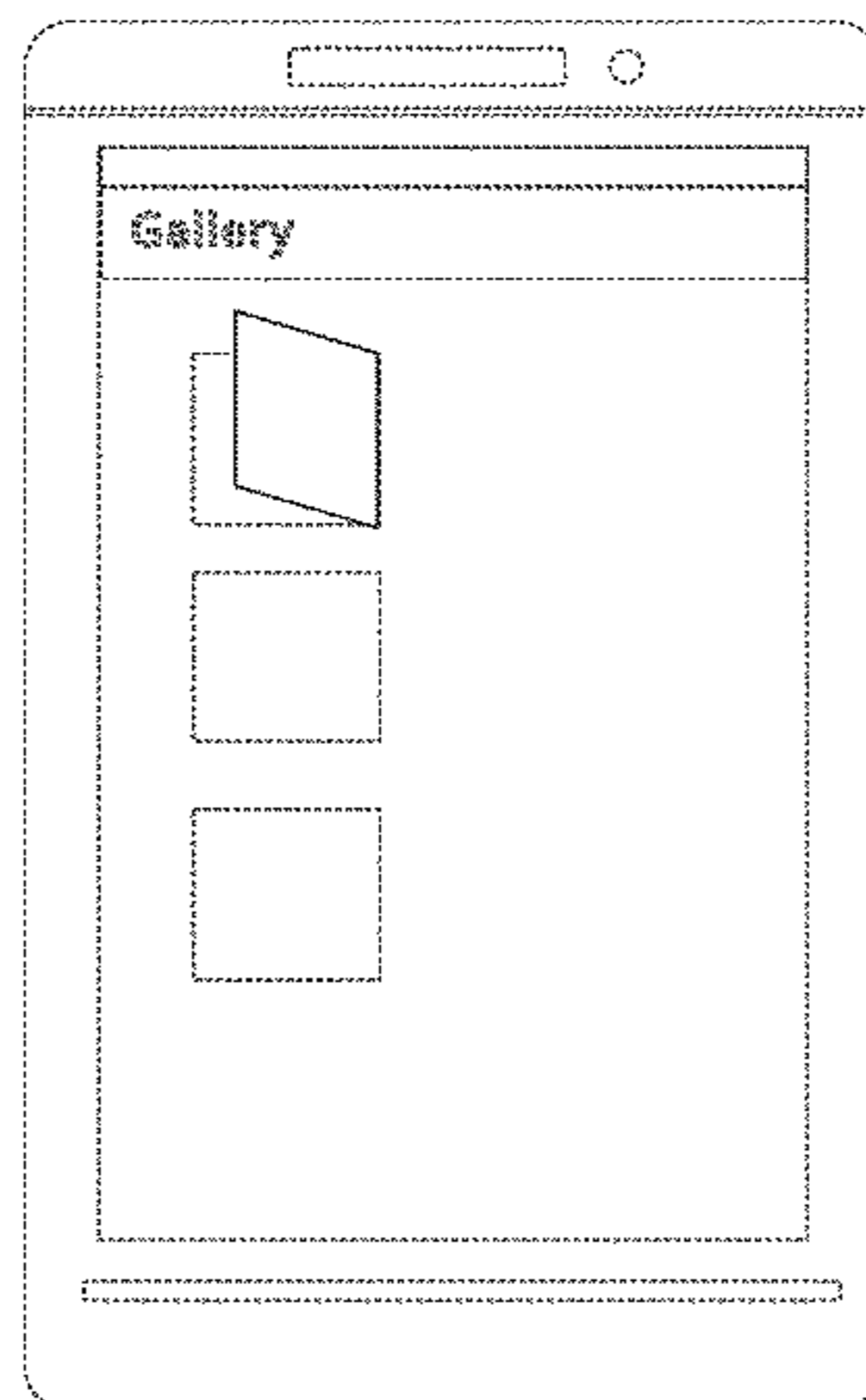
(57) **CLAIM**

The ornamental design for a display screen or portion thereof with an animated graphical user interface, as shown and described.

DESCRIPTION

FIG. 1 is a front view of a display screen or portion thereof with a first image of an animated graphical user interface showing our new design;
FIG. 2 is a front view of the display screen or portion thereof with a second image thereof;
FIG. 3 is a front view of the display screen or portion thereof with a third image thereof;
FIG. 4 is a front view of the display screen or portion thereof with a fourth image thereof;
FIG. 5 is a front view of the display screen or portion thereof with a fifth image thereof;
FIG. 6 is a front view of the display screen or portion thereof with a sixth image thereof;
FIG. 7 is a front view of the display screen or portion thereof with a seventh image thereof;
FIG. 8 is a front view of the display screen or portion thereof with an eighth image thereof;
FIG. 9 is a front view of the display screen or portion thereof with a ninth image thereof; and,
FIG. 10 is a front view of the display screen or portion thereof with a tenth image thereof.
The appearance of the image transitions sequentially between the images shown in FIGS. 1-10. The process or period in which an image transitions to another forms no part of the claimed design.
The broken line showing of the display screen, images, and text are for the purposes of illustrating environment and form no part of the claimed design.

1 Claim, 10 Drawing Sheets



(56)

References Cited

U.S. PATENT DOCUMENTS

D643,850 S * 8/2011 Arnold D14/487
 D654,504 S * 2/2012 Pearson D14/486
 D658,199 S * 4/2012 Lee D14/486
 D658,676 S * 5/2012 Gleasman D14/488
 D658,678 S * 5/2012 Gleasman D14/488
 D664,552 S * 7/2012 Gleasman D14/486
 D664,553 S * 7/2012 Gleasman D14/486
 D664,967 S * 8/2012 Lee D14/485
 D664,972 S * 8/2012 Gleasman D14/486
 D668,671 S * 10/2012 Zaman D14/488
 D673,168 S * 12/2012 Frijlink D14/487
 D677,678 S * 3/2013 Esterly D14/485
 D682,842 S * 5/2013 Kurata D14/485
 D682,875 S * 5/2013 Frijlink D14/488
 8,456,297 B2 * 6/2013 van Os G01C 21/367
 340/425.5
 D686,237 S * 7/2013 Alucema D14/486
 D687,446 S * 8/2013 Arnold D14/485
 D687,840 S * 8/2013 Arnold D14/485
 D688,264 S * 8/2013 Zaman D14/488
 D689,060 S * 9/2013 Tamura D14/485
 D692,448 S * 10/2013 Jung D14/486
 D698,360 S * 1/2014 Hwang D14/485
 D699,744 S * 2/2014 Ho Kushner D14/488
 D699,752 S * 2/2014 Edwards D14/488
 D701,518 S * 3/2014 Thornton D14/486
 D701,527 S * 3/2014 Brinda D14/488
 D703,220 S * 4/2014 Ku D14/485
 D707,249 S * 6/2014 Yamada D14/488
 D717,312 S * 11/2014 Matas D14/485

D718,332 S * 11/2014 Lacour D14/487
 D721,722 S * 1/2015 Lee D14/486
 D732,570 S * 6/2015 Choi D14/488
 D735,744 S * 8/2015 Hwang D14/486
 D735,751 S * 8/2015 Hwang D14/487
 D736,241 S * 8/2015 Sic D14/486
 D736,244 S * 8/2015 Kang D14/488
 9,110,566 B2 * 8/2015 Kim G06F 3/04817
 D739,424 S * 9/2015 Ku D14/486
 D739,871 S * 9/2015 Arriola D14/488
 D745,031 S * 12/2015 Roberts D14/486
 D746,834 S * 1/2016 Gray D14/485
 2010/0180222 A1 * 7/2010 Otsuka G06F 3/0482
 715/768
 2011/0107223 A1 * 5/2011 Tilton G06Q 10/10
 715/730
 2013/0205210 A1 * 8/2013 Jeon G06F 3/04883
 715/716
 2013/0305150 A1 * 11/2013 Budavari G06F 17/211
 715/277

OTHER PUBLICATIONS

'CSS3 Flip 3D Animation for Boxes and Cards HTML5 Tutorial'.
 youtube.com [online]. Oct. 23, 2013 [retrieved Oct. 15, 2015].
 Retrieved from the Internet: <URL: <https://www.youtube.com/watch?v=W3eJWpyll0g&index=6>
 &list=PLKhHjcitpIUA7MFfnpFsJnqGpSOokHk4B>.*
 'Square animation'. youtube.com [online]. May 1, 2008 [retrieved
 Oct. 15, 2015]. Retrieved from the Internet: <URL: https://www.youtube.com/watch?v=PVk_u_S87mo>.*

* cited by examiner

Figure 1

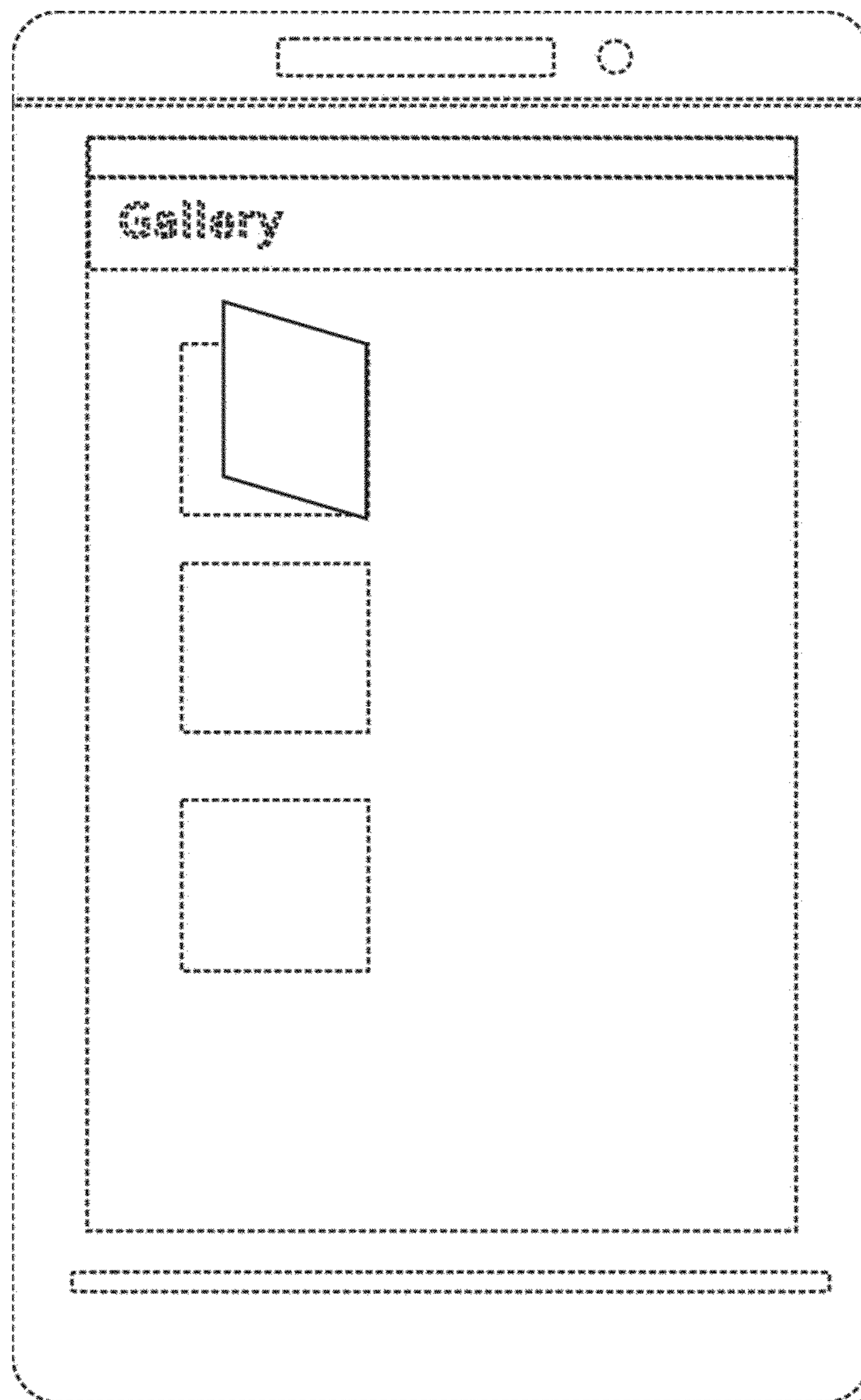


Figure 2

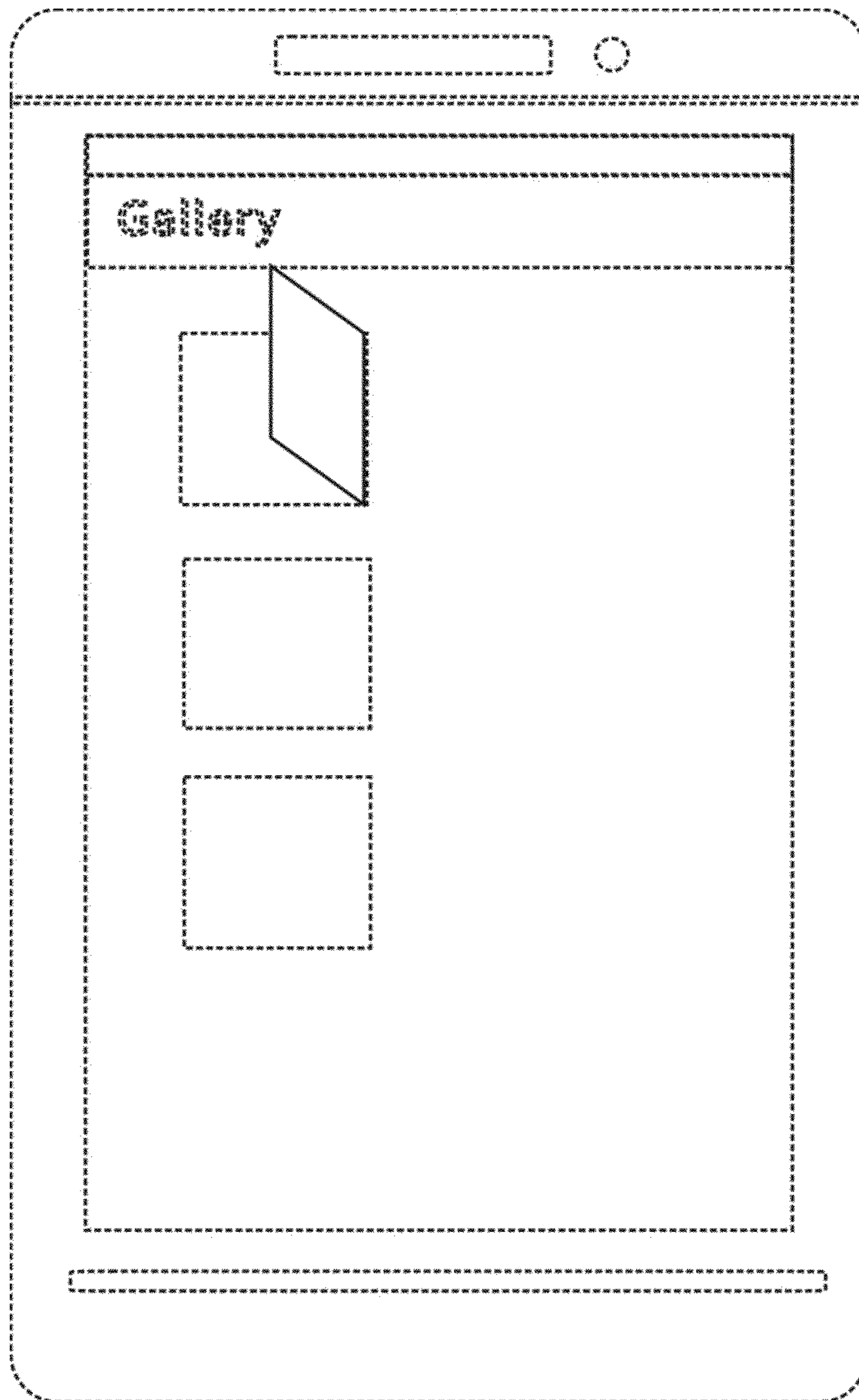


Figure 3

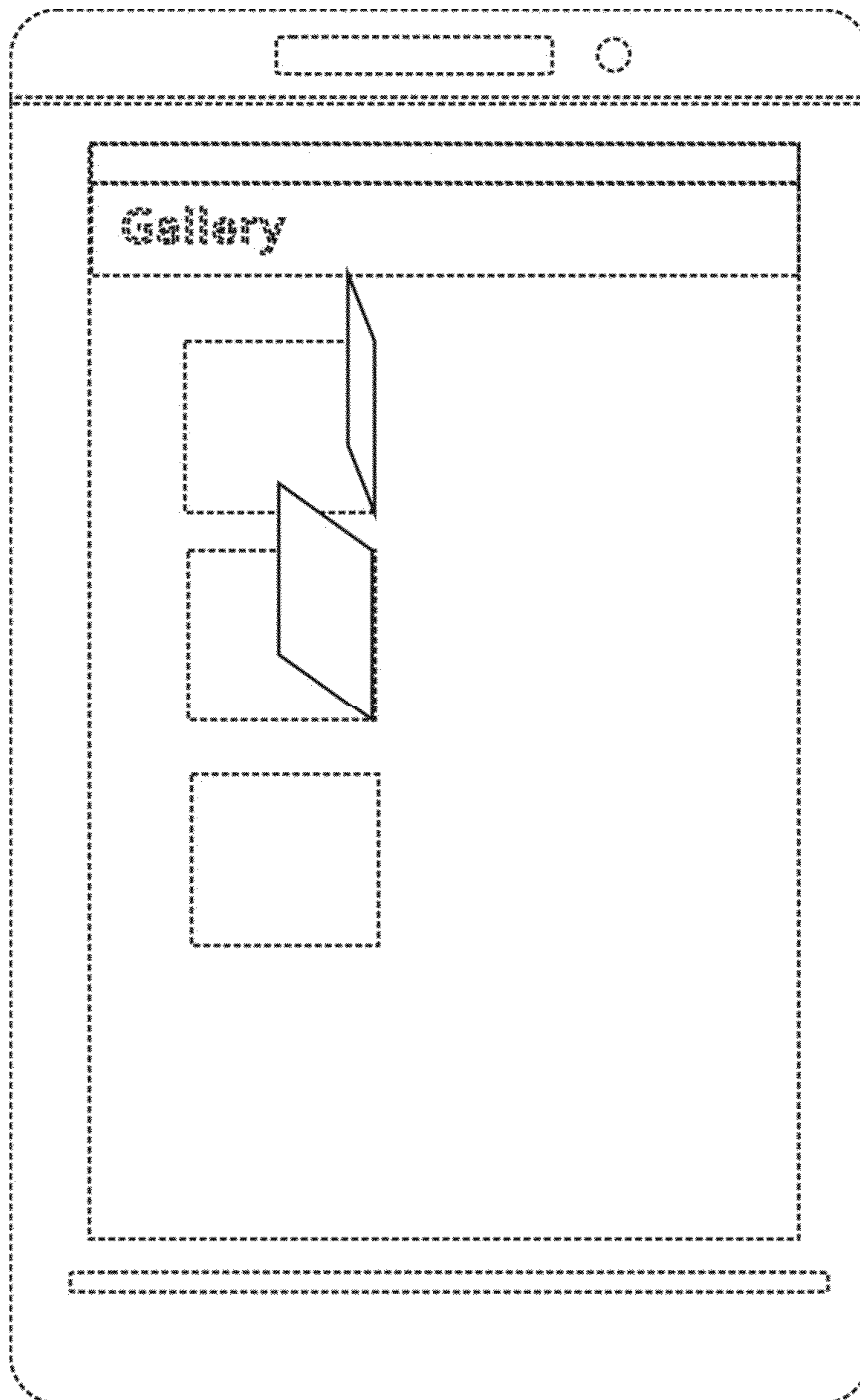


Figure 4

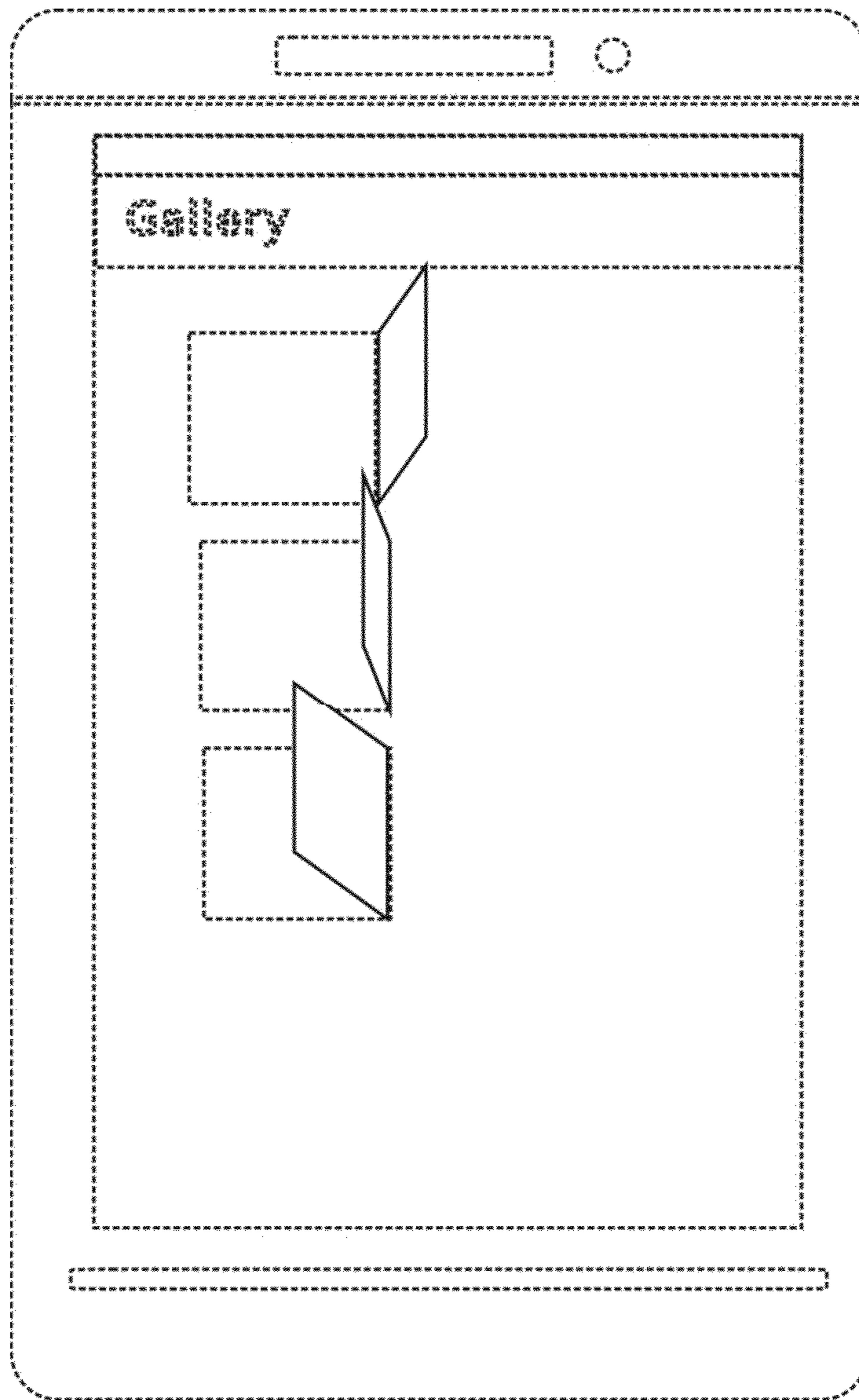


Figure 5

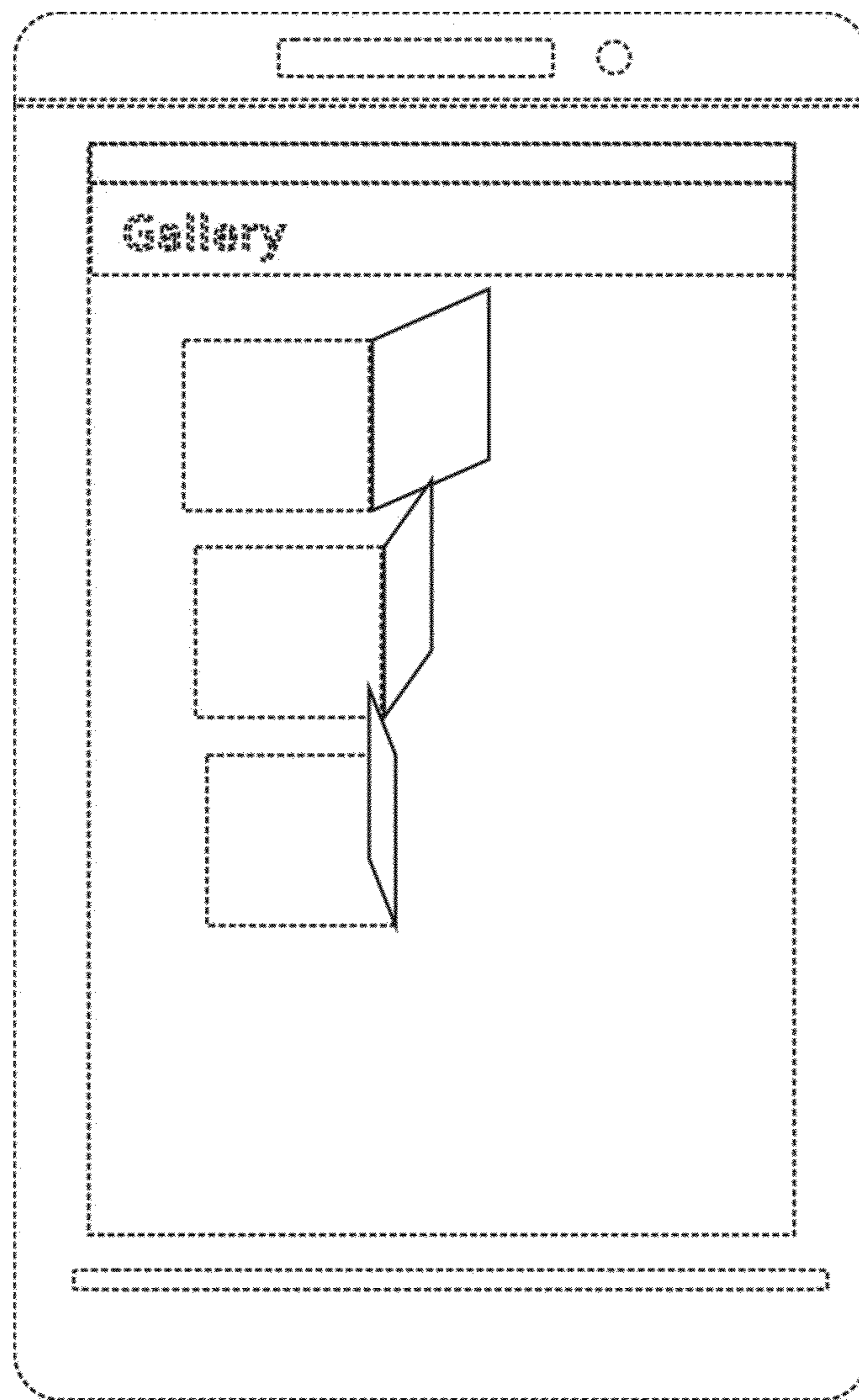


Figure 6

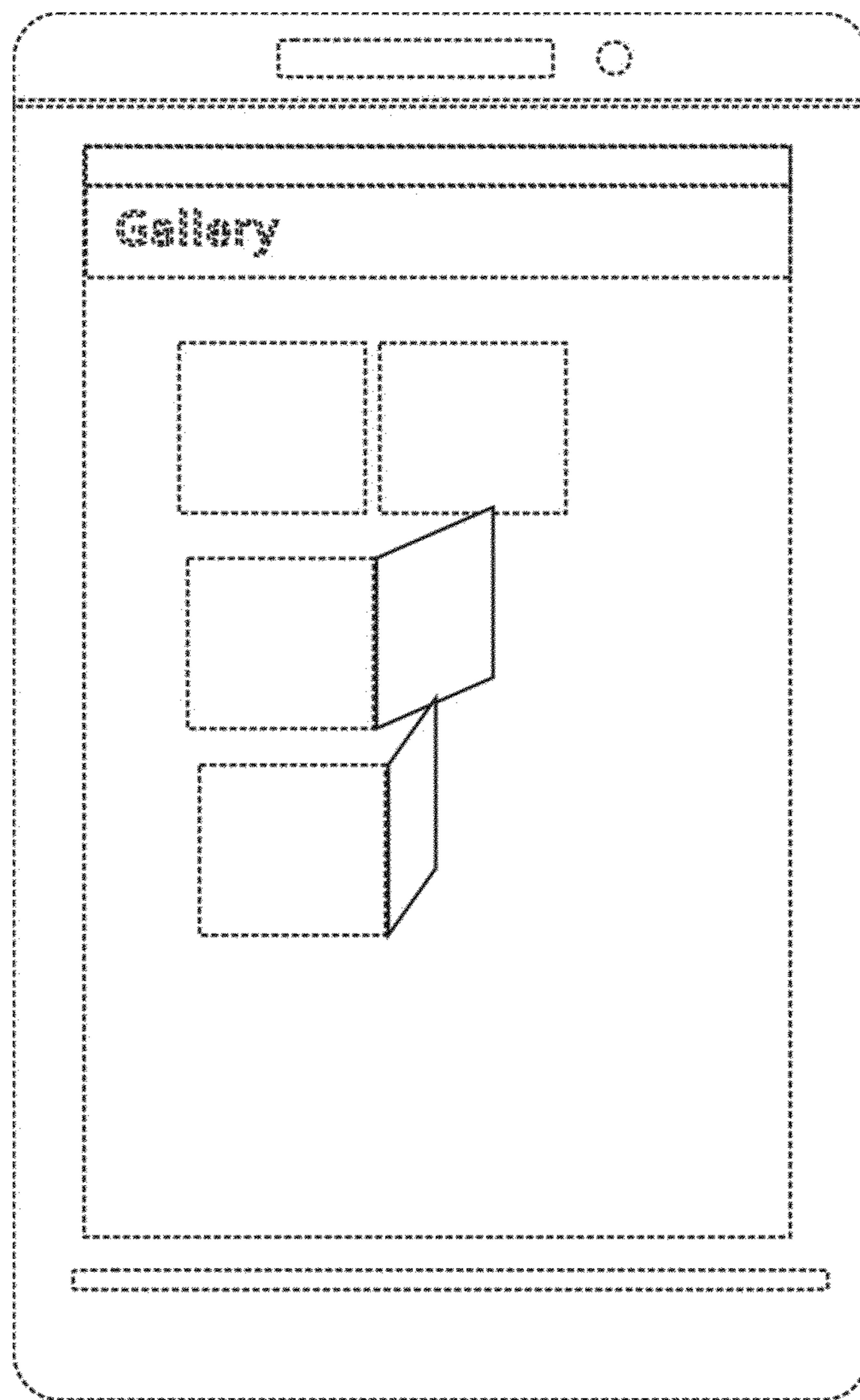


Figure 7

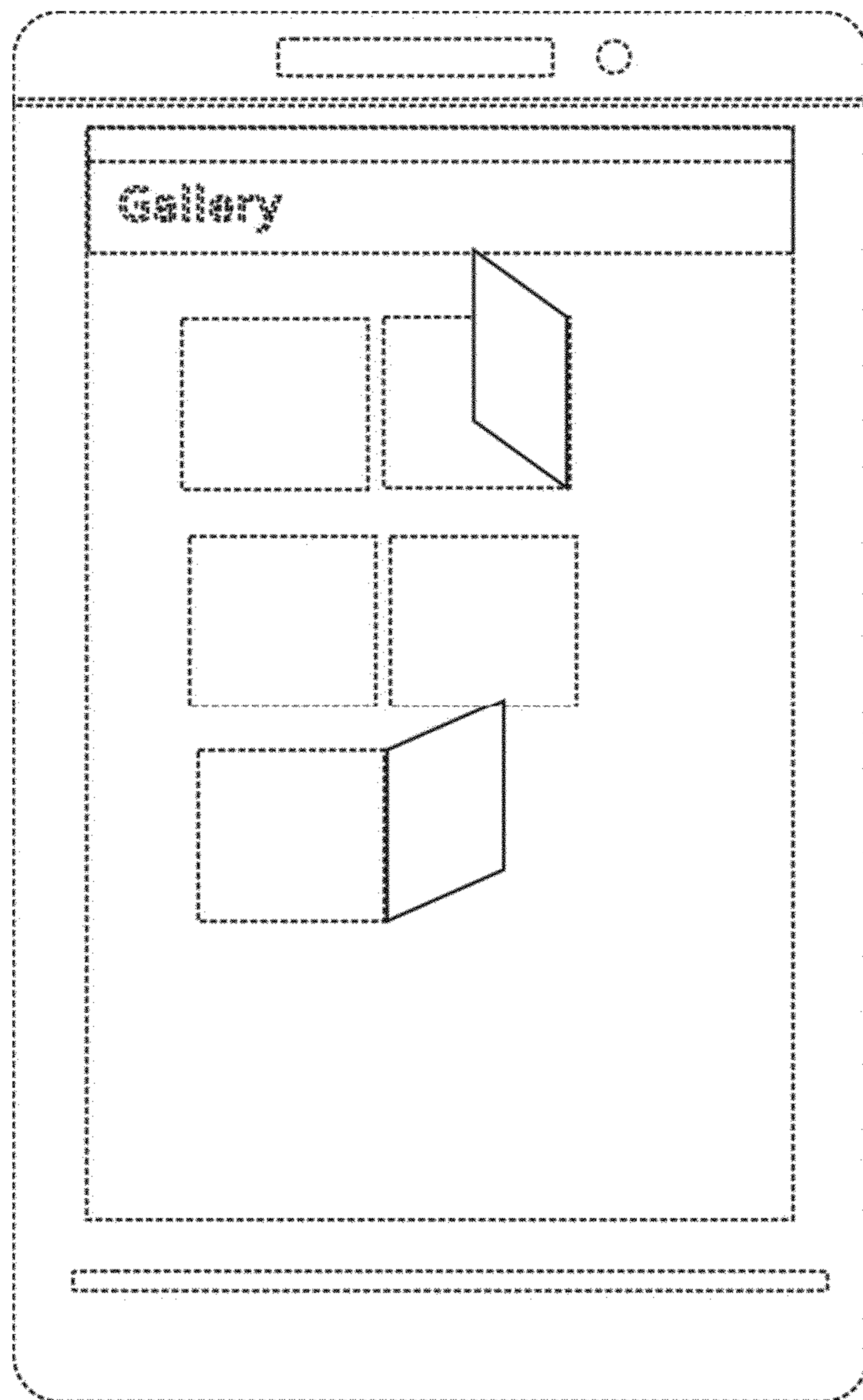


Figure 8

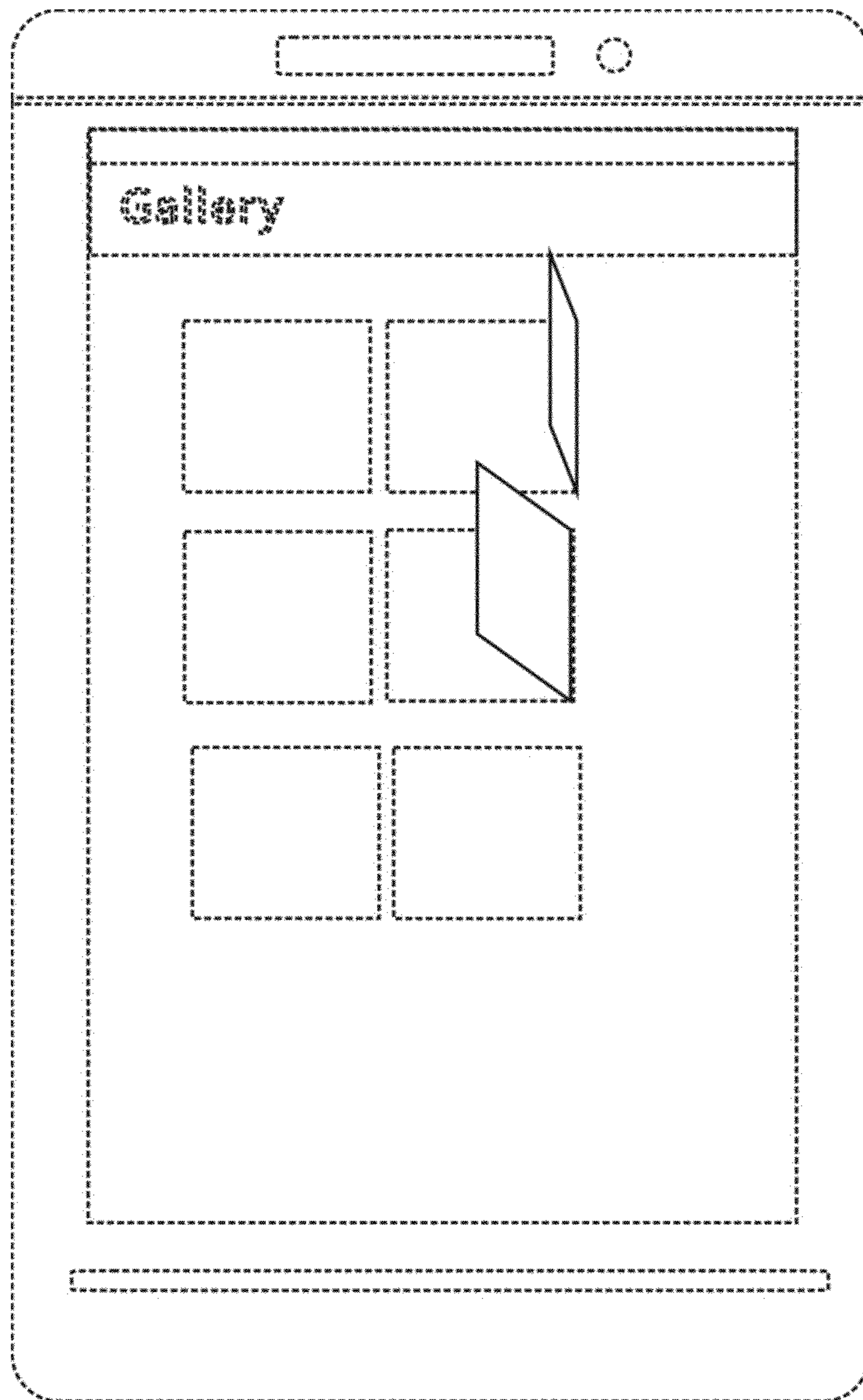


Figure 9

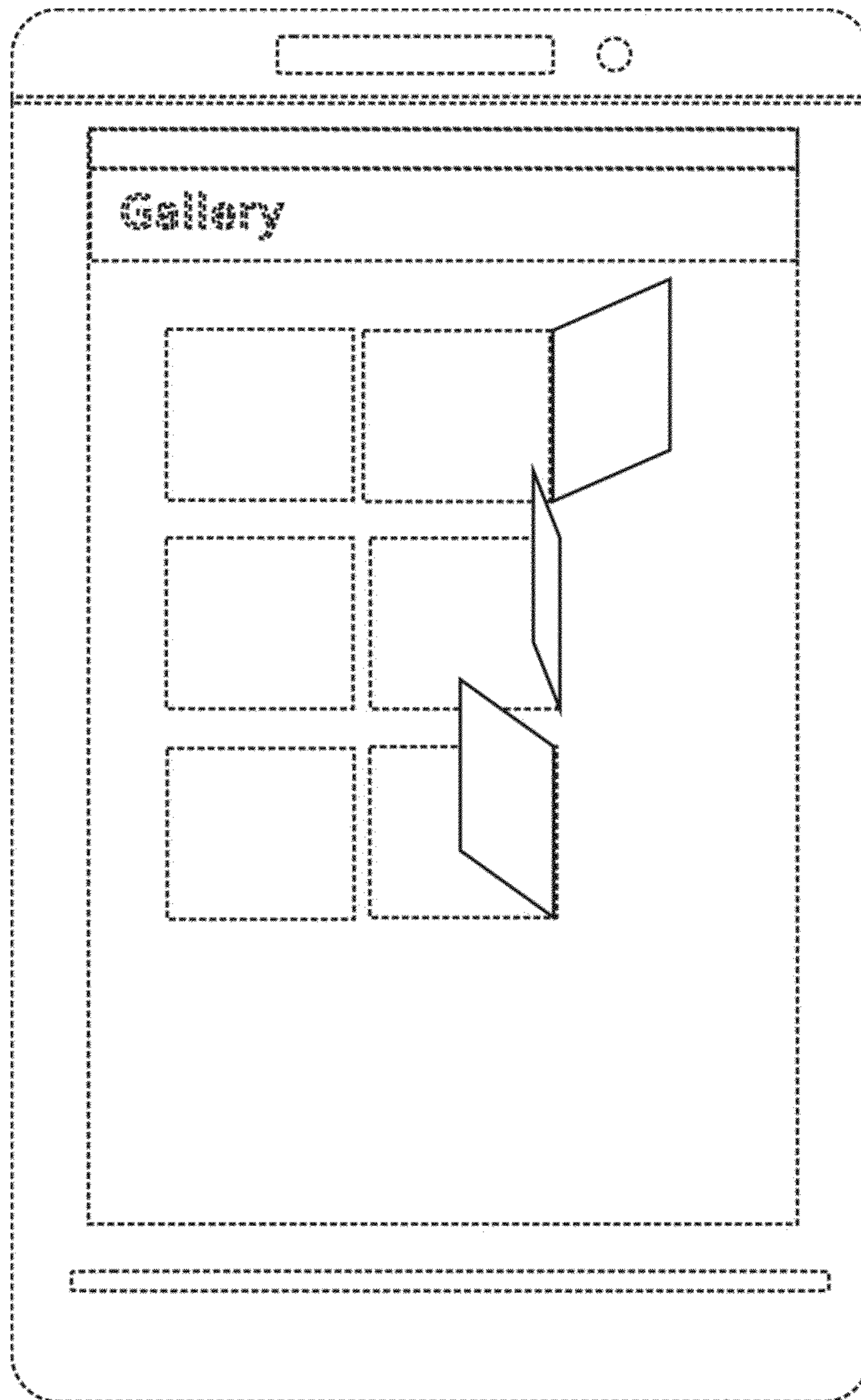


Figure 10

