



US00D758376S

(12) **United States Design Patent**
Lu

(10) **Patent No.:** **US D758,376 S**
(45) **Date of Patent:** **** Jun. 7, 2016**

(54) **STAND FOR A DISPLAY**

(71) Applicant: **Yen-Wen Lu**, Taipei (TW)
(72) Inventor: **Yen-Wen Lu**, Taipei (TW)
(73) Assignee: **COMPAL ELECTRONICS, INC.**,
Taipei (TW)
(**) Term: **15 Years**
(21) Appl. No.: **29/528,857**
(22) Filed: **Jun. 2, 2015**
(51) **LOC (10) Cl.** **08-07**
(52) **U.S. Cl.**
USPC **D14/451**
(58) **Field of Classification Search**
USPC D14/371-382, 125-129, 336, 337,
D14/447-452, 492, 335, 239, 457, 439-441,
D14/432, 251-253; D8/349, 354, 363, 373,
D8/376, 380; D21/333; D12/415; D3/218;
348/180, 184, 325, 739, 825
CPC G06F 3/0412; G06F 3/016; G06F 3/0488;
G06F 3/011; G06F 3/038; G06F 3/03543;
G06F 3/0338; G06F 3/0202; G06F 3/0219;
G06F 3/0213; G06F 1/1616; G06F 3/023;
G06F 3/04883; G02F 1/13338; G02F 1/1313;
G02F 1/1333; G02F 1/135; G02F 1/132;
G02F 1/133308; G02F 1/134309; G02F
1/13718; G09G 3/3648; G06K 15/1252;
B41J 2/465; G03F 7/70291; G02B 27/0172;
G02B 5/30; G02B 2027/0118; G02B 27/0101;
F16M 13/02; F16M 13/00; F16M 11/10;
F16M 11/04; F16M 2200/08; F16M 11/2021;
A47B 21/0314; A47B 88/044; A47B
2021/0335; H02G 3/126; F16B 47/00; F16B
47/006; A47G 1/17; A47K 2201/00
See application file for complete search history.

(56) **References Cited**

U.S. PATENT DOCUMENTS

D670,257 S	*	11/2012	Yang	D14/126
D680,106 S	*	4/2013	Hwangbo	D14/239
D700,170 S	*	2/2014	Choi	D14/239
D700,187 S	*	2/2014	Lee	D14/451
D705,200 S	*	5/2014	Choi	D14/239
D708,157 S	*	7/2014	Park	D14/126
D718,751 S	*	12/2014	Ann	D14/239
D721,713 S	*	1/2015	Ko	D14/451
D725,661 S	*	3/2015	Snyder	D14/451
D726,195 S	*	4/2015	Snyder	D14/451
D728,527 S	*	5/2015	Kim	D14/217
D746,825 S	*	1/2016	Kang	D14/451
D748,596 S	*	2/2016	McManigal	D14/126

* cited by examiner

Primary Examiner — Garth Rademaker
Assistant Examiner — Katie S Mroczka
(74) *Attorney, Agent, or Firm* — Jianq Chyun IP Office

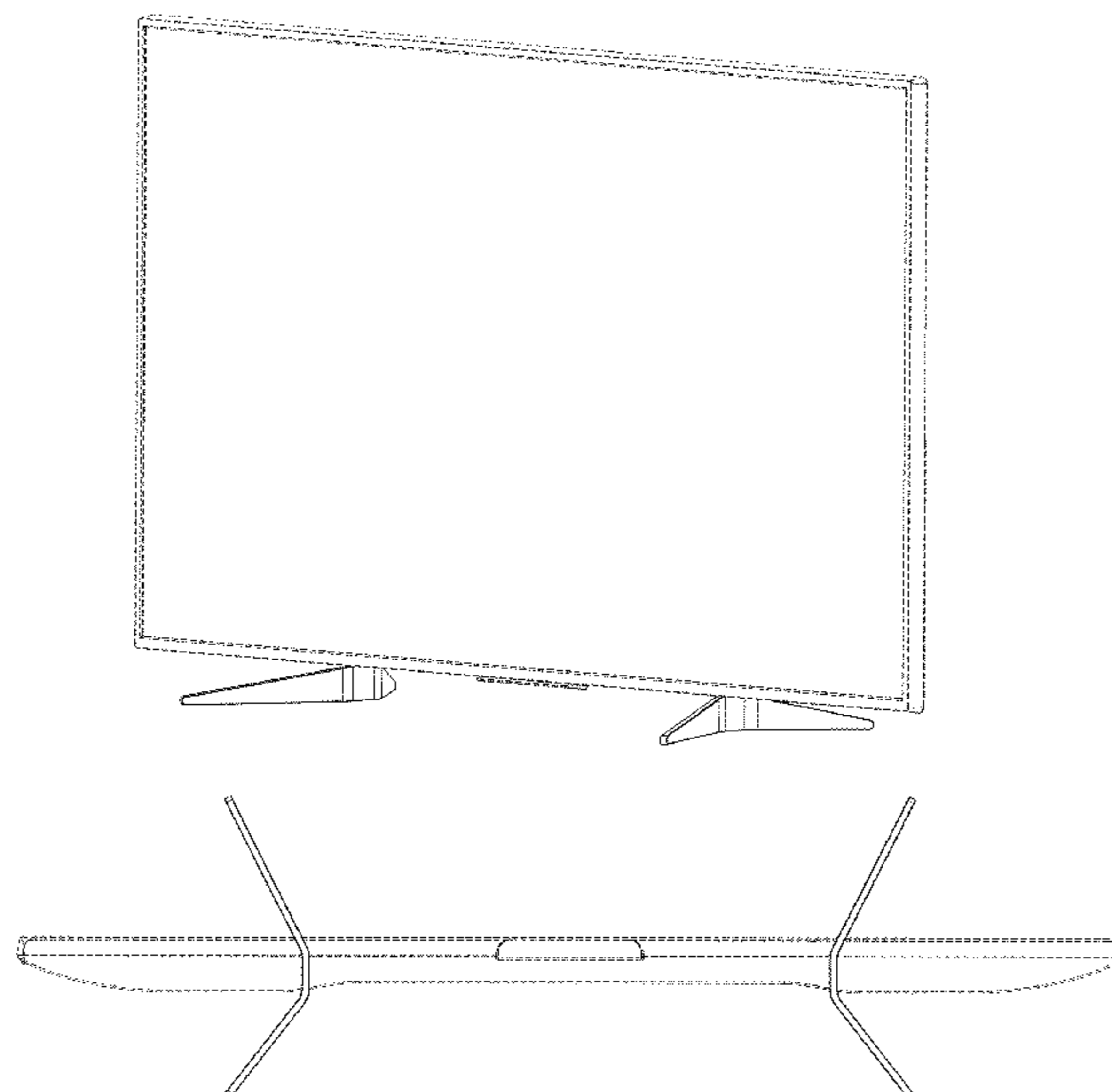
(57) **CLAIM**

The ornamental design for a stand for a display, as shown and described.

DESCRIPTION

FIG. 1 is a perspective view of a stand for a display showing my new design;
FIG. 2 is a front view thereof;
FIG. 3 is a rear view thereof;
FIG. 4 is a left side view thereof;
FIG. 5 is a right side view thereof;
FIG. 6 is a top view thereof; and,
FIG. 7 is a bottom view thereof.
The broken lines in FIGS. 1-7 illustrate the environment of the claimed design and form no part thereof.

1 Claim, 6 Drawing Sheets



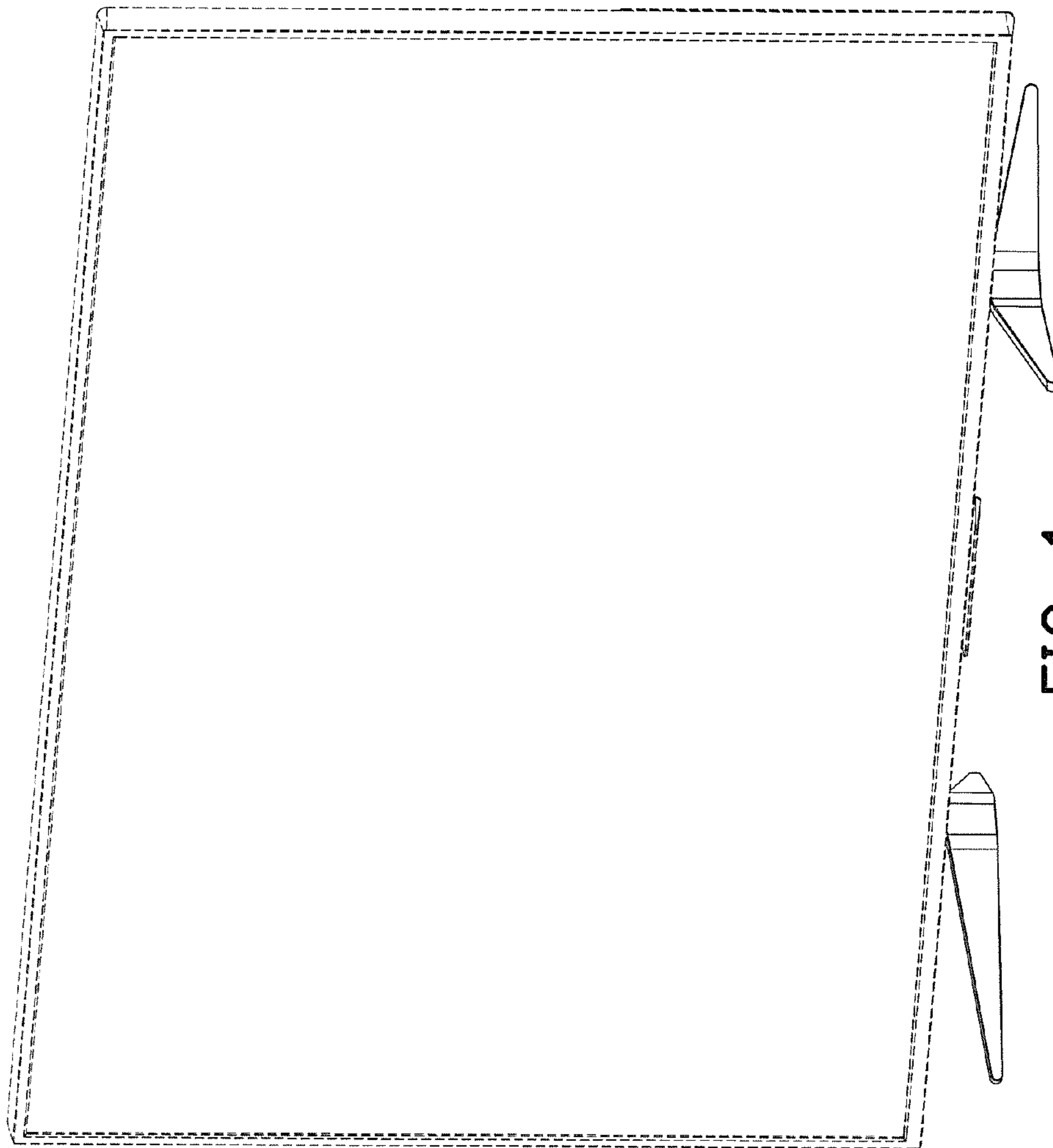


FIG. 1

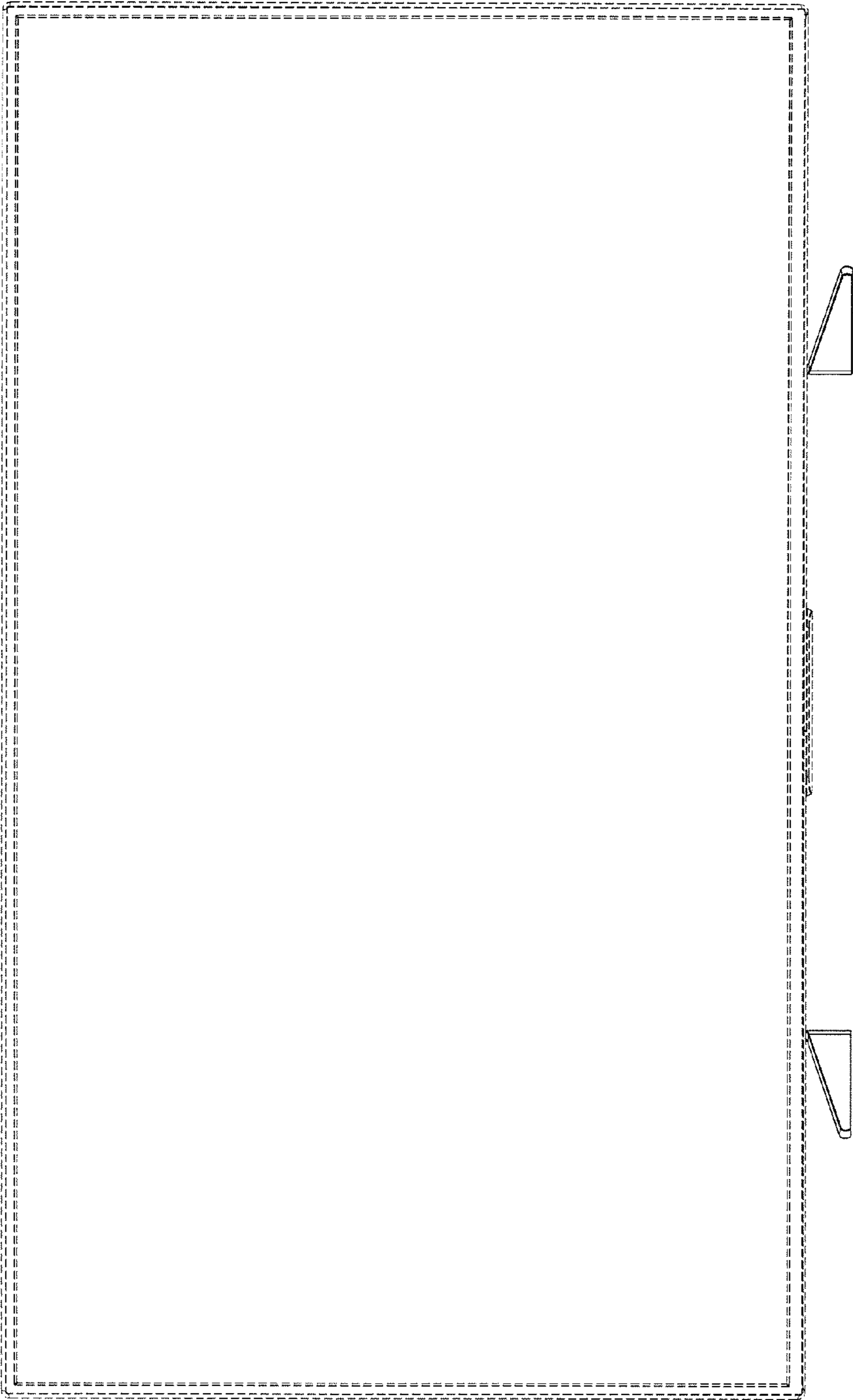


FIG. 2

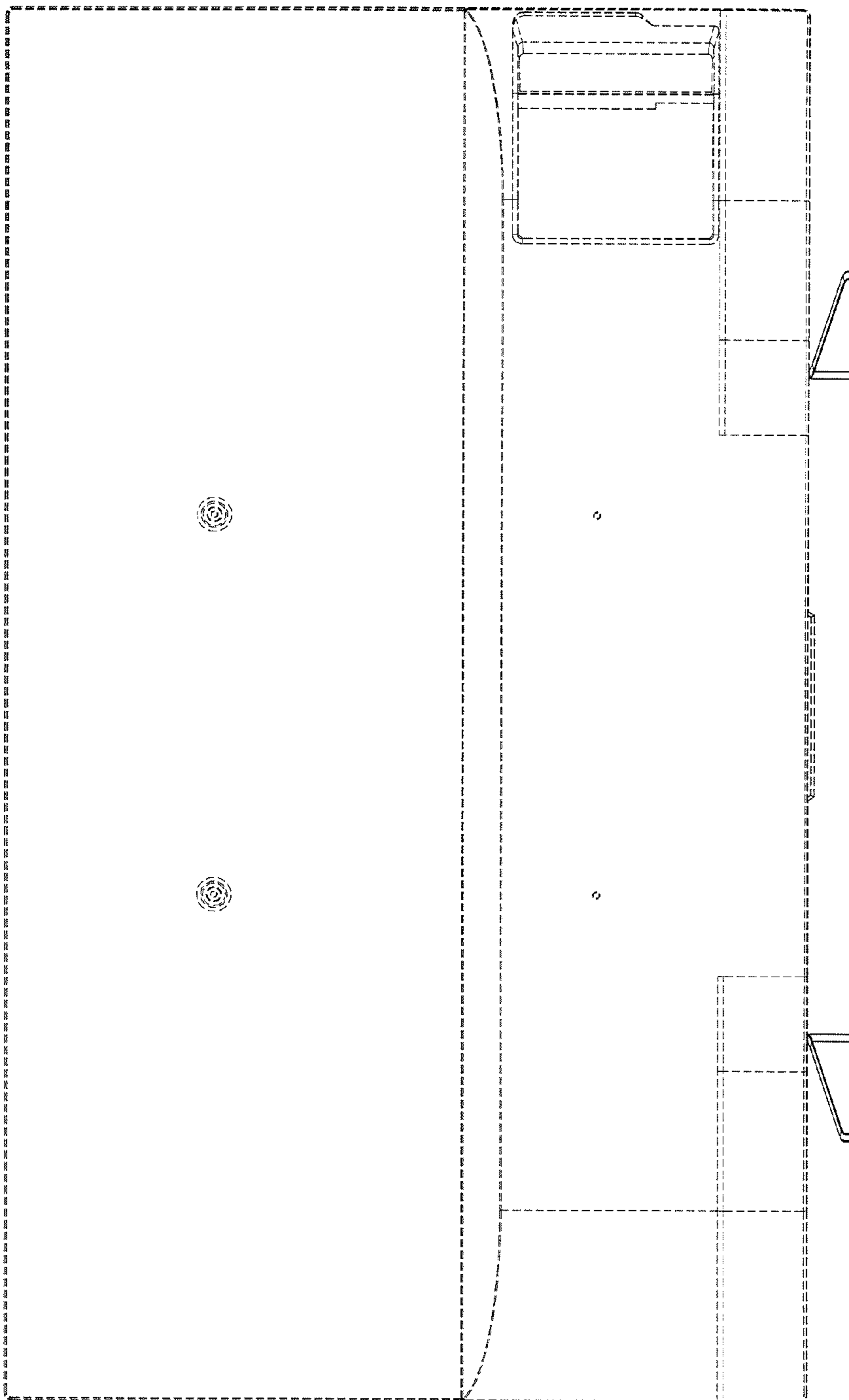


FIG. 3

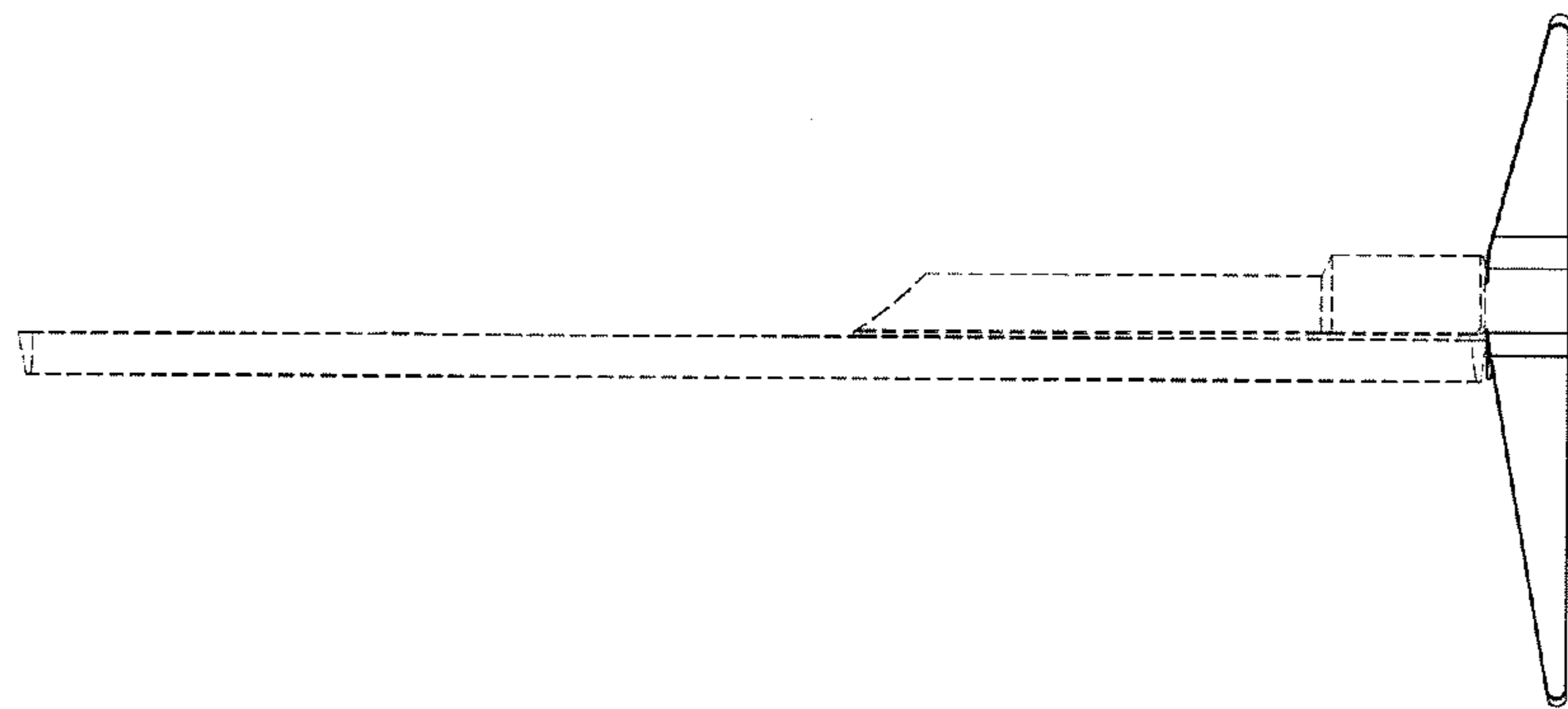


FIG. 5

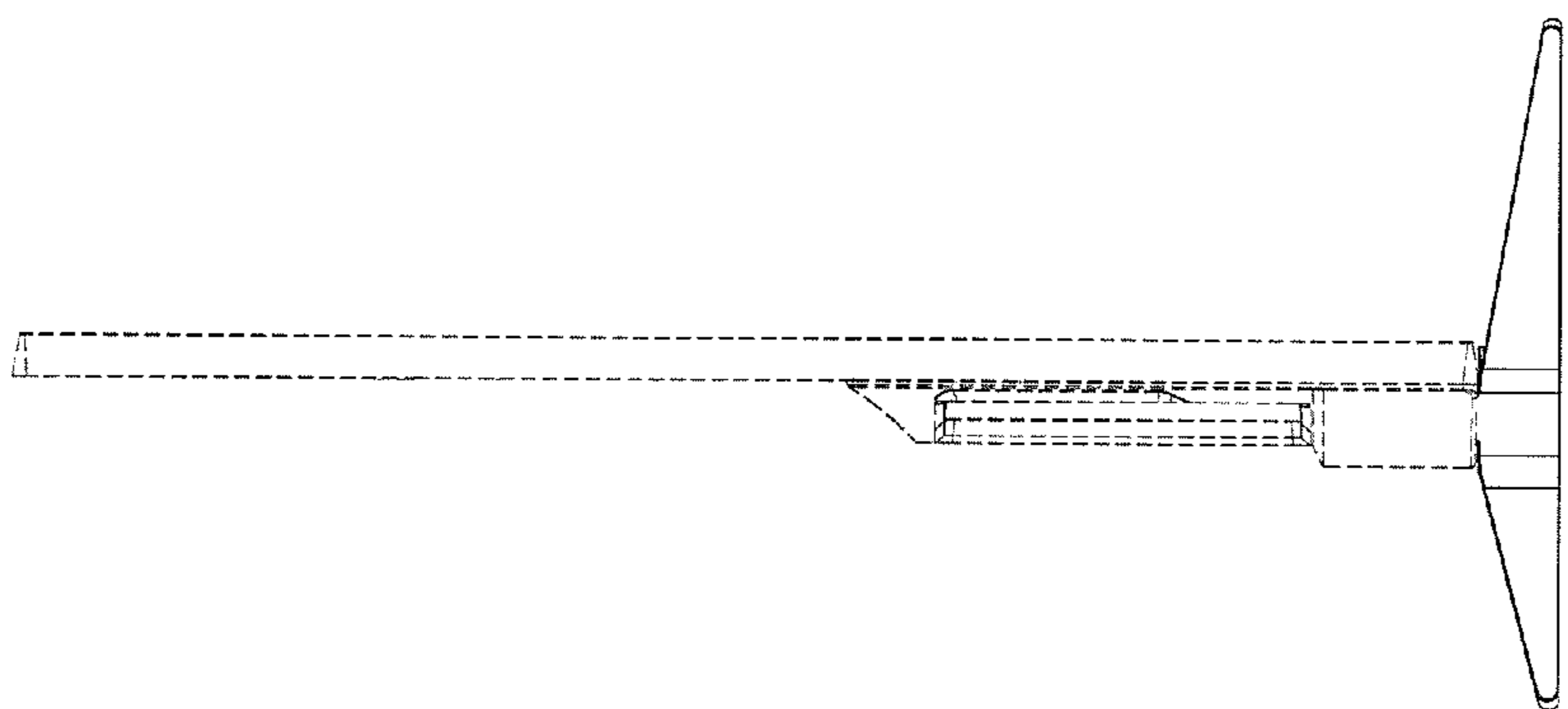


FIG. 4

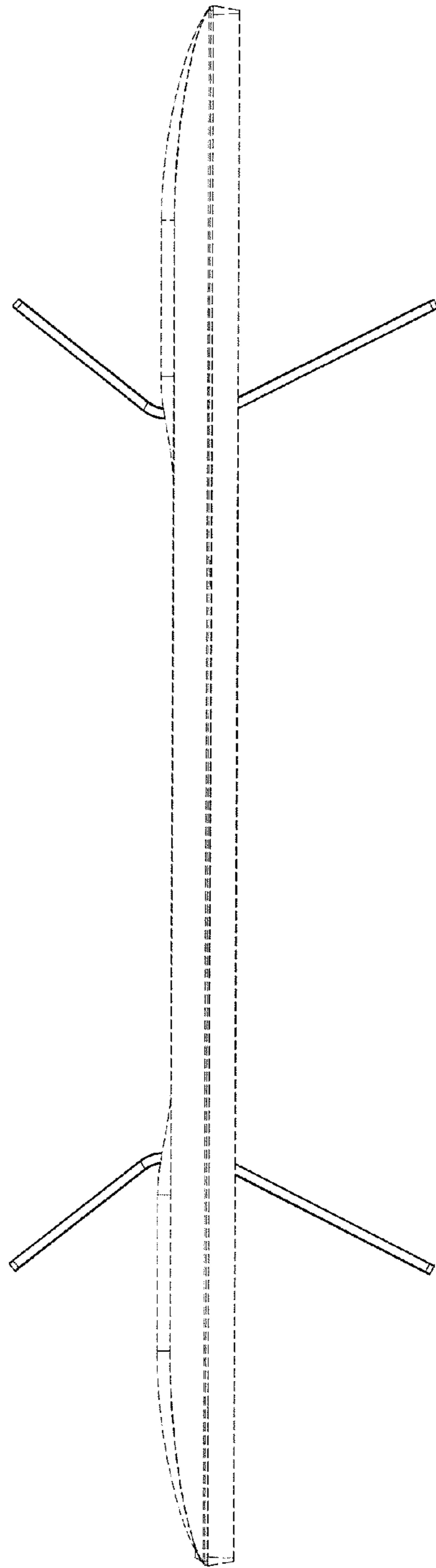


FIG. 6

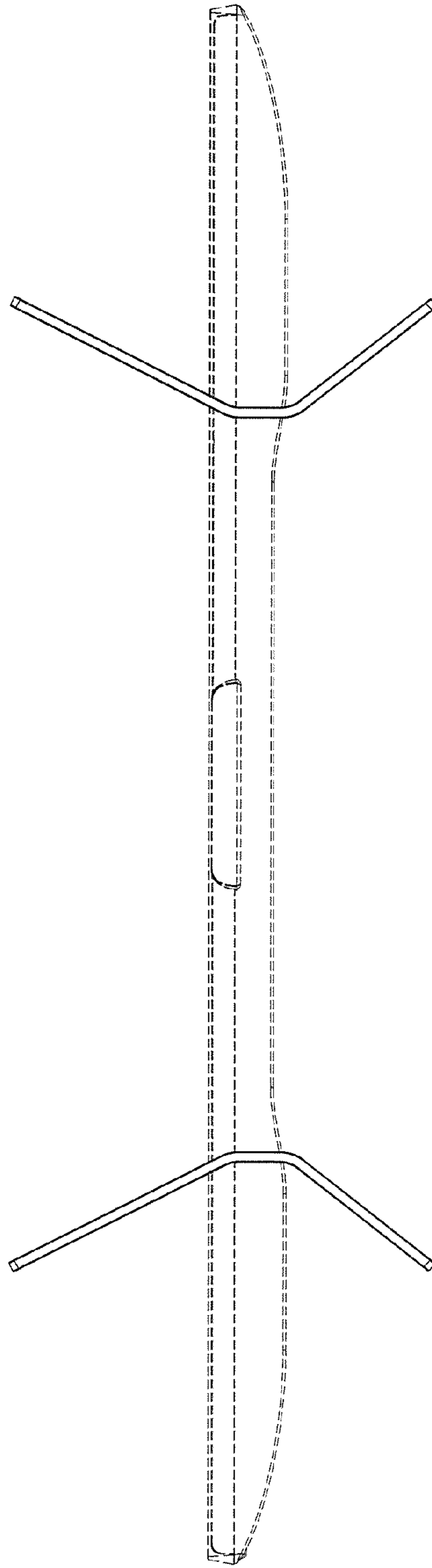


FIG. 7