



US00D758375S

(12) **United States Design Patent**  
**Won et al.**

(10) **Patent No.:** **US D758,375 S**  
(45) **Date of Patent:** **\*\* Jun. 7, 2016**

(54) **STAND FOR ELECTRONIC DEVICE**

(56) **References Cited**

(71) Applicant: **Samsung Electronics Co., Ltd.**,  
Suwon-si (KR)

U.S. PATENT DOCUMENTS

(72) Inventors: **Tae-Yeon Won**, Seoul (KR); **Gil-Jae Lee**, Seoul (KR)

D295,415 S \* 4/1988 Thies ..... D14/452  
D486,486 S 2/2004 Jobs et al.

(Continued)

(73) Assignee: **Samsung Electronics Co., Ltd.**,  
Suwon-si (KR)

FOREIGN PATENT DOCUMENTS

(\*\*) Term: **14 Years**

KR 30-2005-0009640 2/2006  
KR 30-2011-0014352 6/2012

(21) Appl. No.: **29/522,257**

*Primary Examiner* — Barbara Fox

*Assistant Examiner* — Katie Mroczka

(22) Filed: **Mar. 30, 2015**

(74) *Attorney, Agent, or Firm* — NSIP Law

(30) **Foreign Application Priority Data**

(57) **CLAIM**

We claim the ornamental design for a stand for electronic device, as shown and described.

Dec. 8, 2014 (KR) ..... 30-2014-0059616

**DESCRIPTION**

(51) **LOC (10) Cl.** ..... **08-07**

(52) **U.S. Cl.**  
USPC ..... **D14/451**

(58) **Field of Classification Search**

USPC ..... D14/371–382, 125–129, 336, 337,  
D14/447–452, 492, 335, 239, 457, 439–441,  
D14/432, 251–253; D8/349, 354, 363, 373,  
D8/376, 380; D21/333; D12/415; D3/218;  
348/180, 184, 325, 739, 825

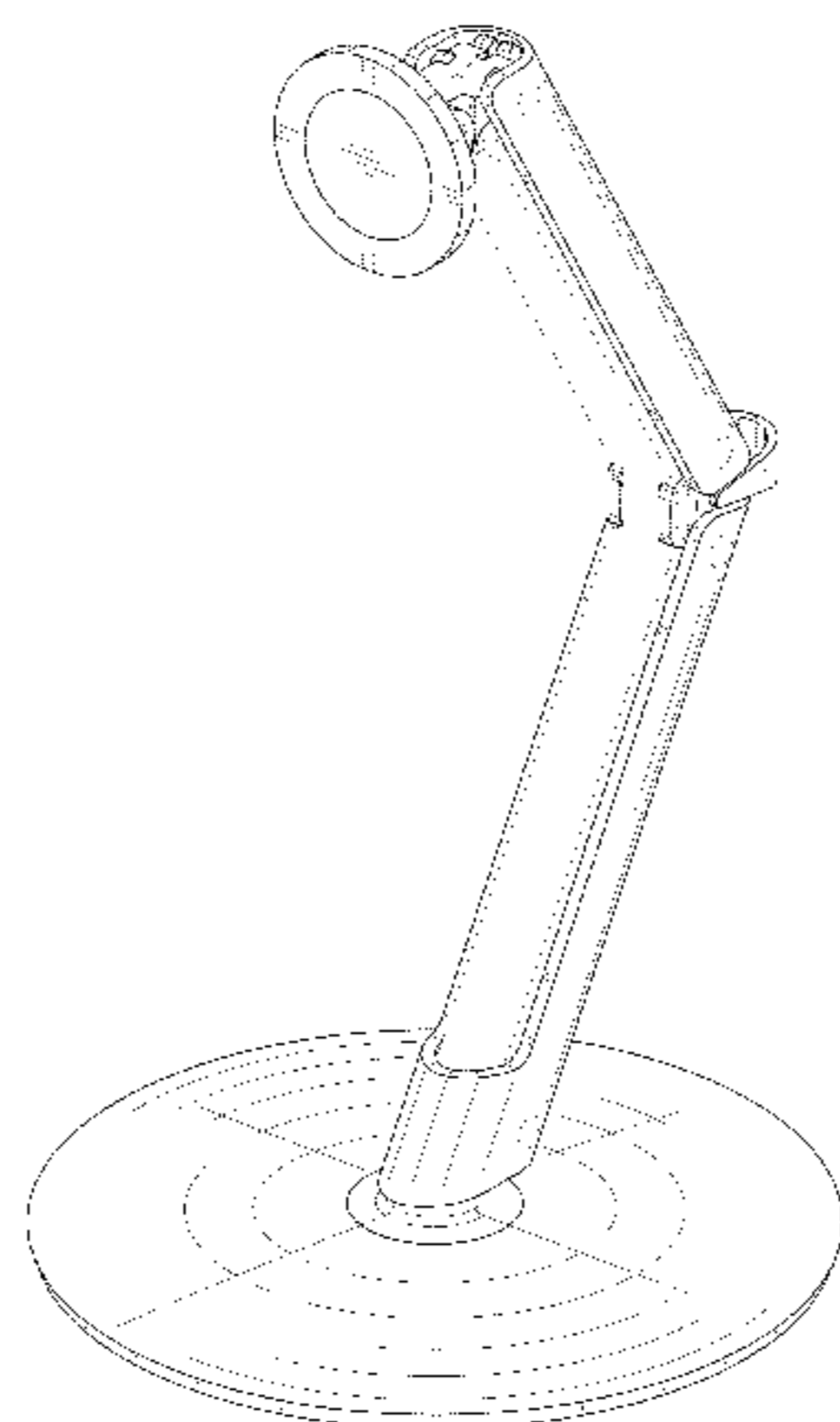
CPC ..... G06F 3/0412; G06F 3/016; G06F 3/0488;  
G06F 3/011; G06F 3/038; G06F 3/03543;  
G06F 3/0338; G06F 3/0202; G06F 3/0219;  
G06F 3/0213; G06F 1/1616; G06F 3/023;  
G06F 3/04883; G02F 1/13338; G02F 1/1313;  
G02F 1/1333; G02F 1/135; G02F 1/132;  
G02F 1/133308; G02F 1/134309; G02F  
1/13718; G09G 3/3648; G06K 15/1252;  
B41J 2/465; G03F 7/70291; G02B 27/0172;  
G02B 5/30; G02B 2027/0118; G02B 27/0101;  
F16M 13/02; F16M 13/00; F16M 11/10;  
F16M 11/04; F16M 2200/08; F16M 11/2021;  
A47B 21/0314; A47B 88/044; A47B  
2021/0335; H02G 3/126; F16B 47/00; F16B  
47/006; A47G 1/17; A47K 2201/00

See application file for complete search history.

FIG. 1 is a front perspective view of a stand for electronic device showing our new design;  
FIG. 2 is a front view thereof;  
FIG. 3 is a rear view thereof;  
FIG. 4 is a left-side view thereof;  
FIG. 5 is a right-side view thereof;  
FIG. 6 is a top view thereof;  
FIG. 7 is a bottom view thereof;  
FIG. 8 is a rear perspective view thereof;  
FIG. 9 is a front perspective view of the stand for electronic device in which a display screen is provided in broken lines to illustrate an example environment; and,  
FIG. 10 is a right-side view of the stand for electronic device shown in a collapsed position in which a display screen is provided in broken lines to illustrate an example environment.

The broken lines shown in FIGS. 1-6 and 8 illustrate portions of the stand for electronic device that form no part of the claimed design. The broken lines illustrating a display screen in FIGS. 9 and 10 represents environment, while the remaining broken lines in FIGS. 9 and 10 illustrate portions of the stand for electronic device; the broken lines in FIGS. 9 and 10 form no part of the claimed design.

**1 Claim, 10 Drawing Sheets**



(56)

**References Cited**

U.S. PATENT DOCUMENTS

D509,826 S 9/2005 Jobs et al.  
D545,825 S \* 7/2007 Richter ..... D14/251  
D562,331 S \* 2/2008 Li ..... D14/451  
D622,233 S 8/2010 Shin et al.  
D625,302 S \* 10/2010 Kasuga ..... D14/239  
D681,647 S \* 5/2013 Choi ..... D14/451

D682,797 S \* 5/2013 Lee ..... D14/126  
D688,674 S \* 8/2013 Lau ..... D14/452  
D690,306 S \* 9/2013 Malisse ..... D14/447  
D697,881 S \* 1/2014 Lee ..... D14/126  
D704,156 S \* 5/2014 Lee ..... D14/126  
D714,569 S \* 10/2014 Cohen ..... D6/523  
D733,156 S \* 6/2015 Choi ..... D14/447  
D733,157 S \* 6/2015 Kim ..... D14/447

\* cited by examiner

FIG. 1

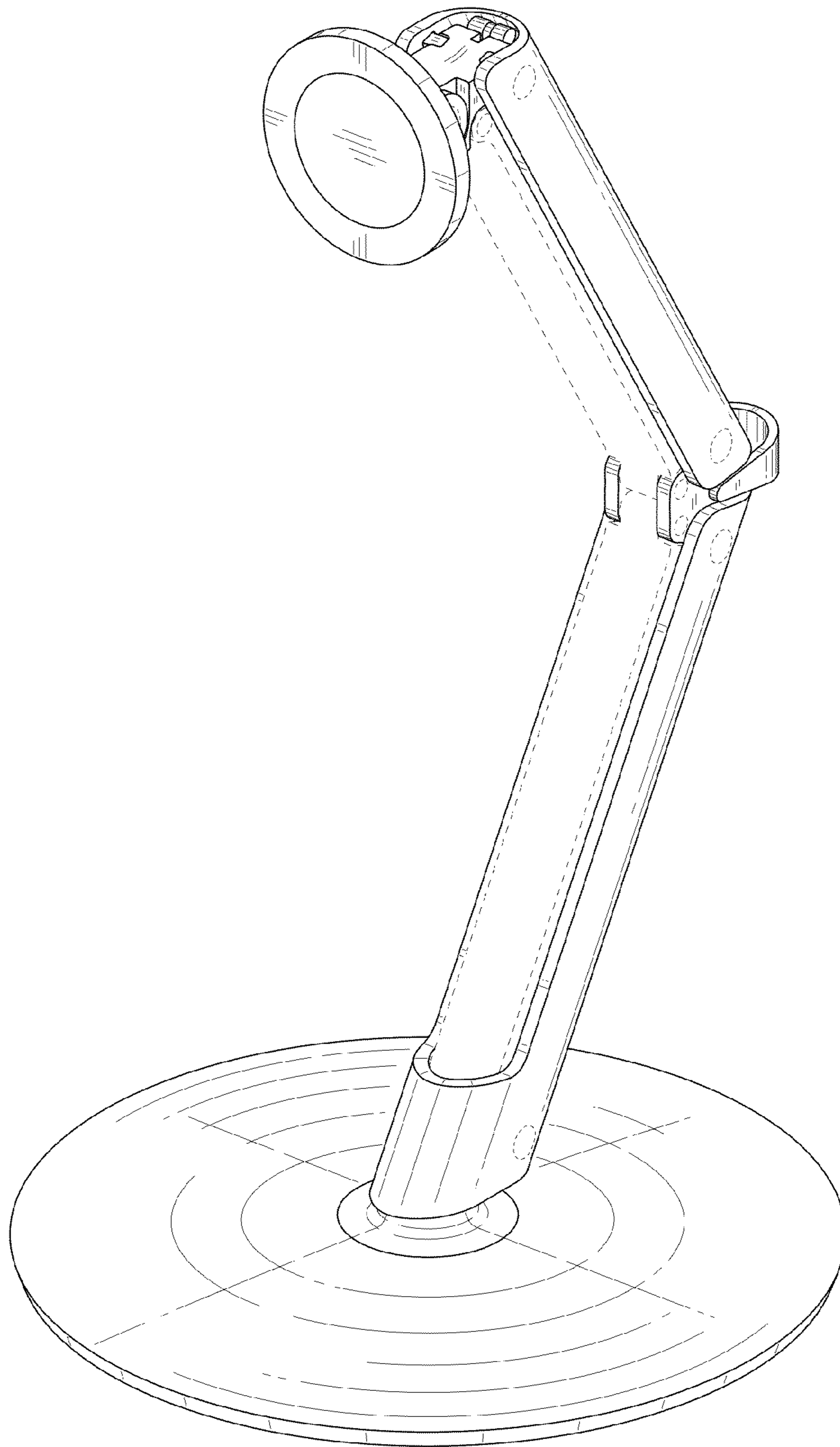


FIG. 2

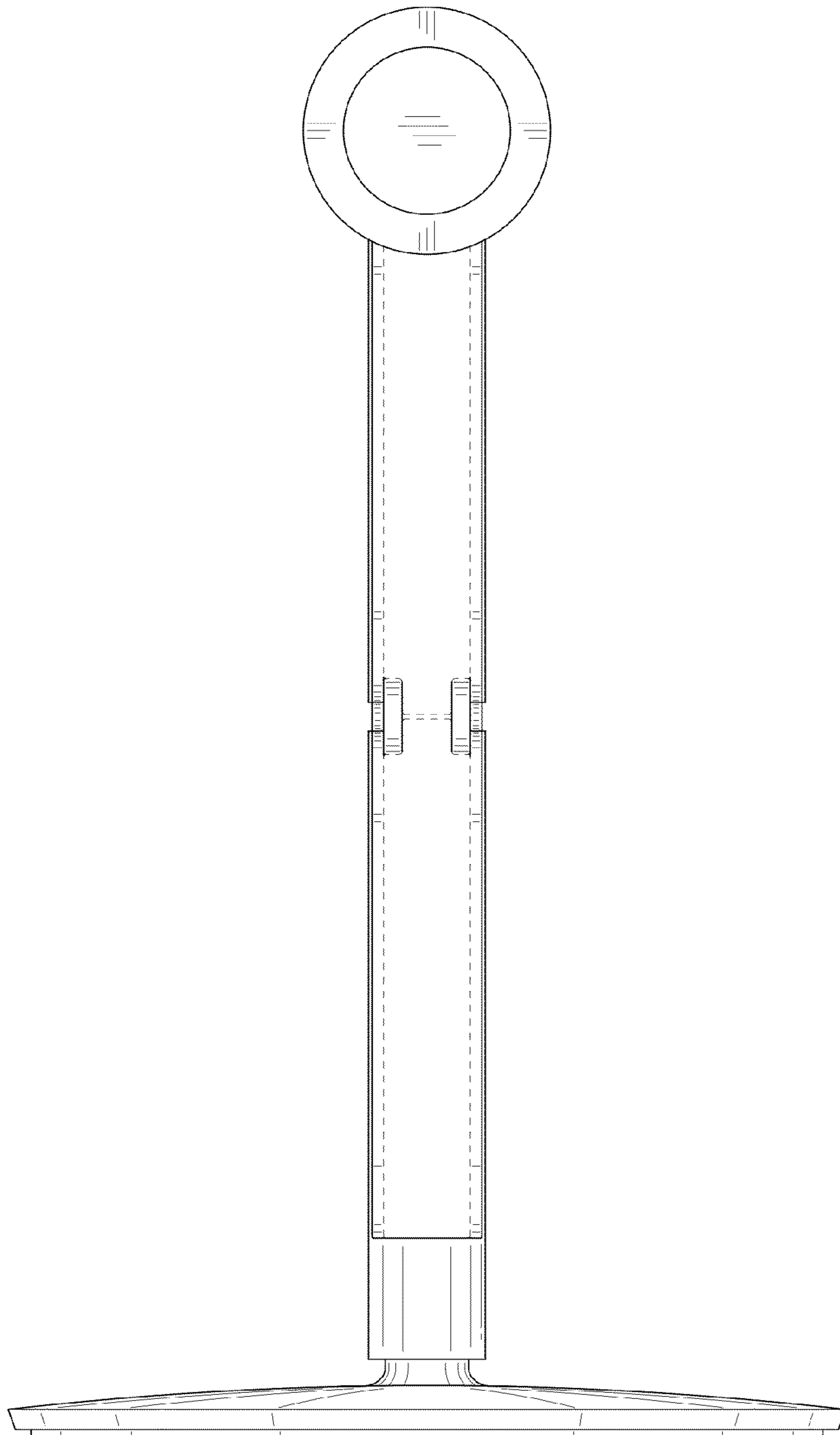


FIG. 3

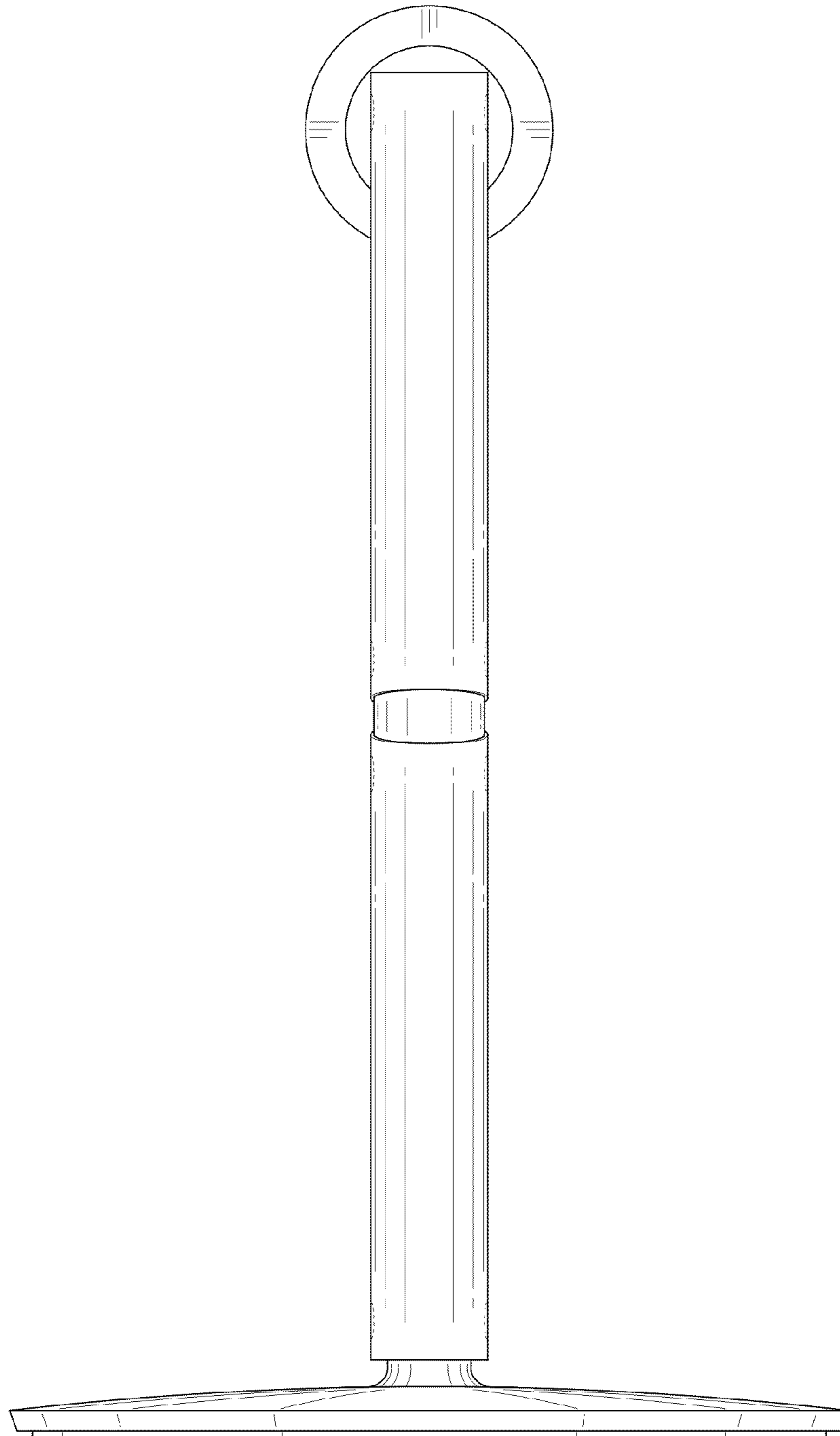


FIG. 4

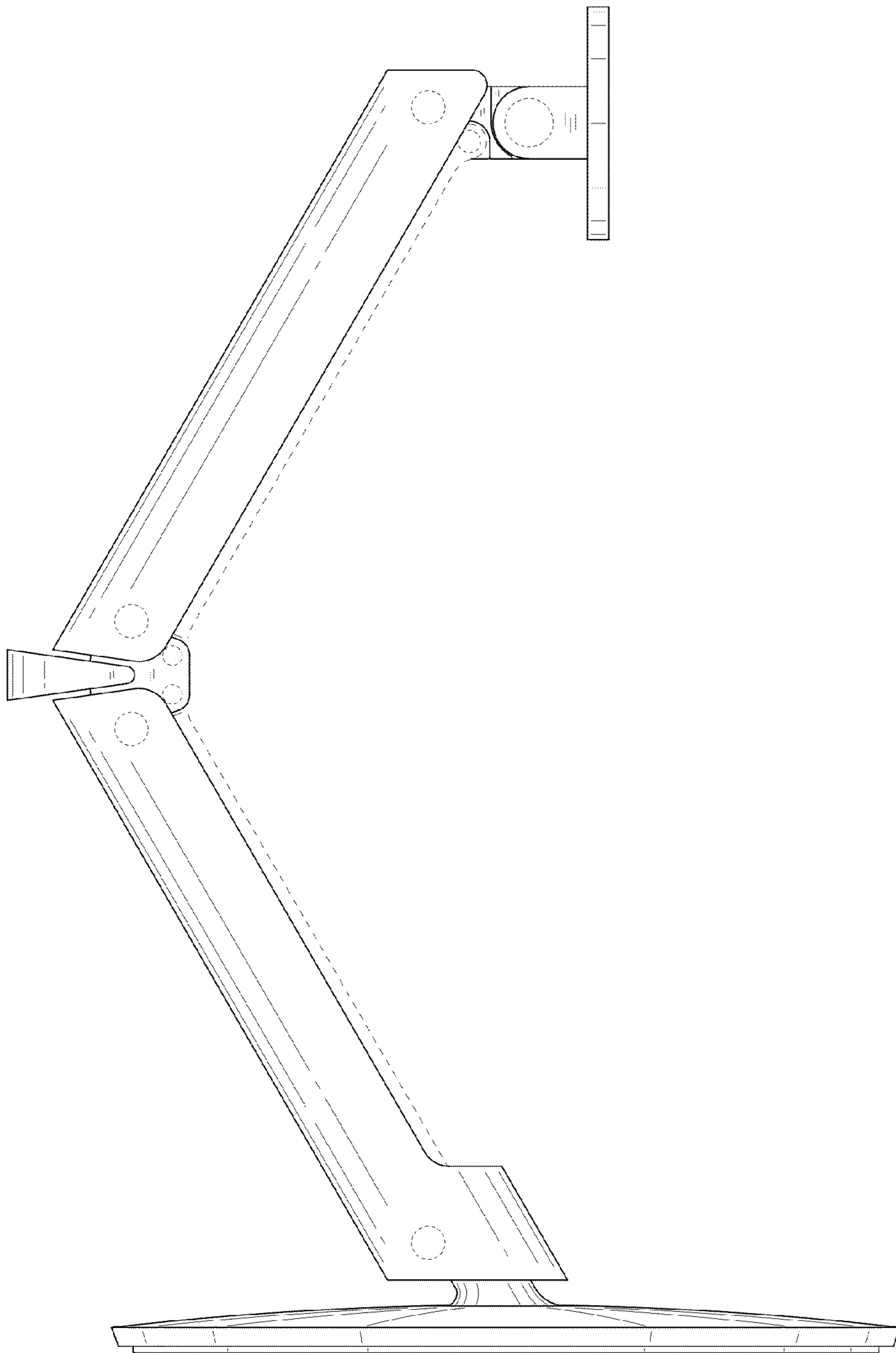


FIG. 5

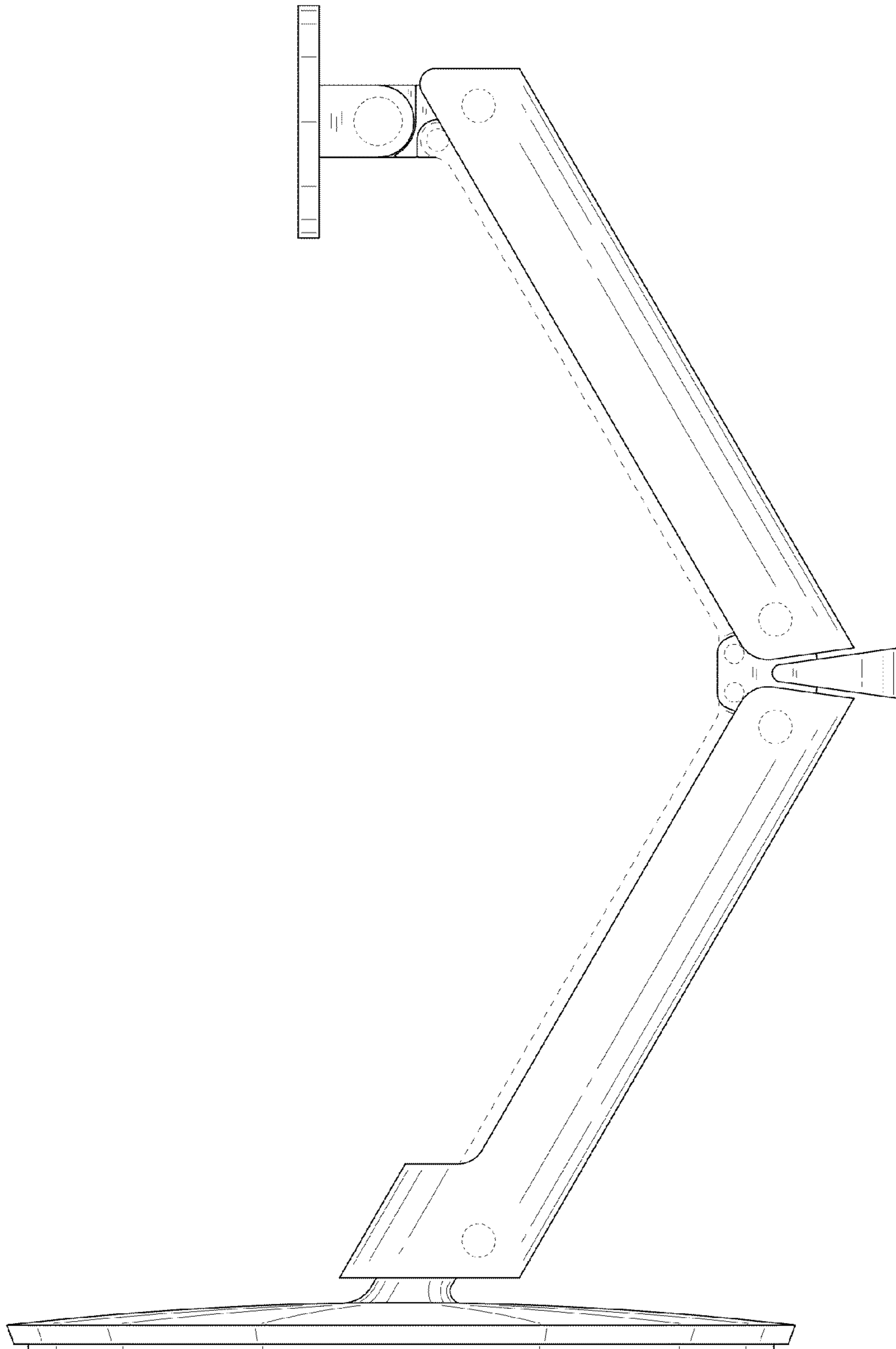


FIG. 6

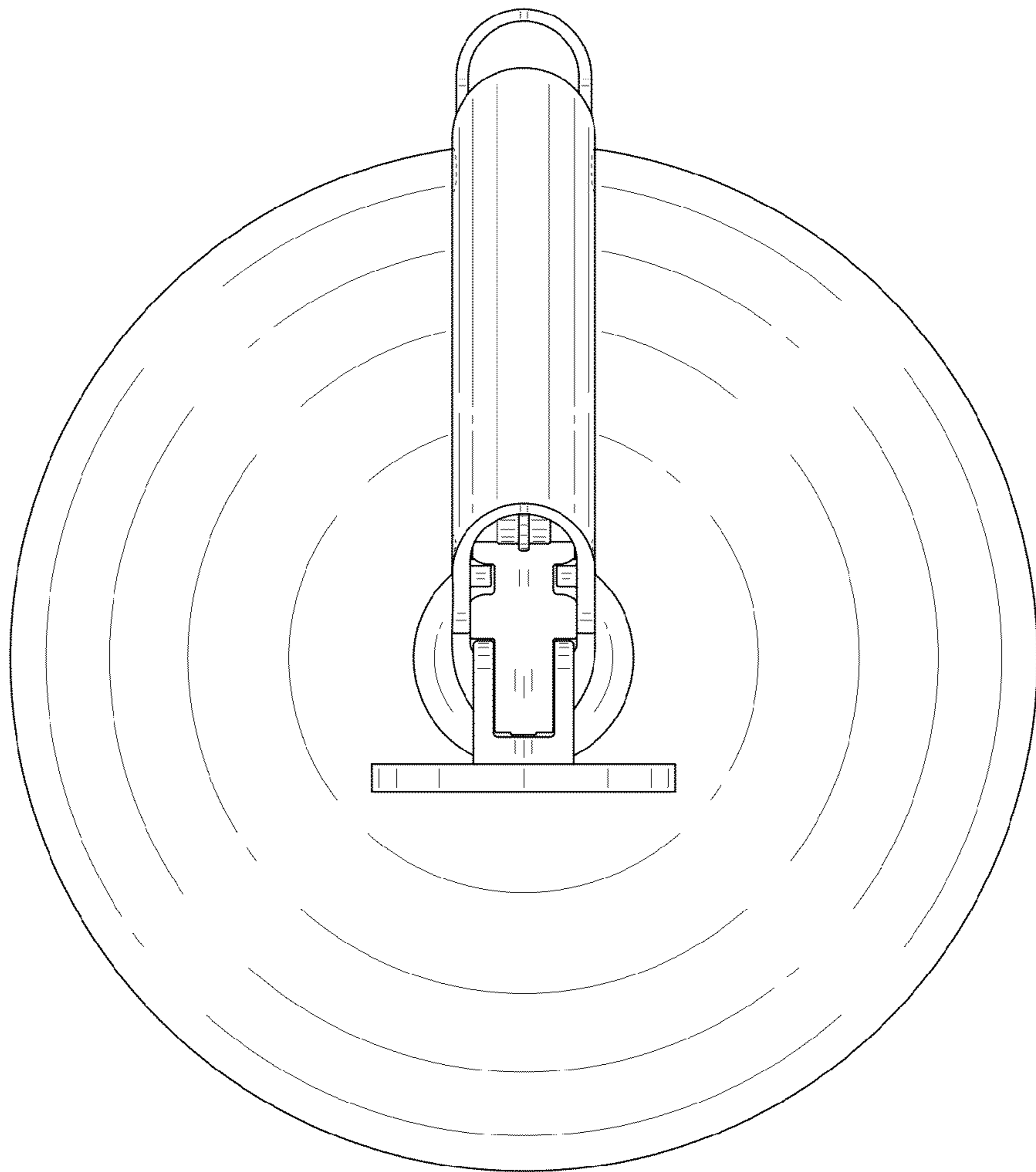




FIG. 7

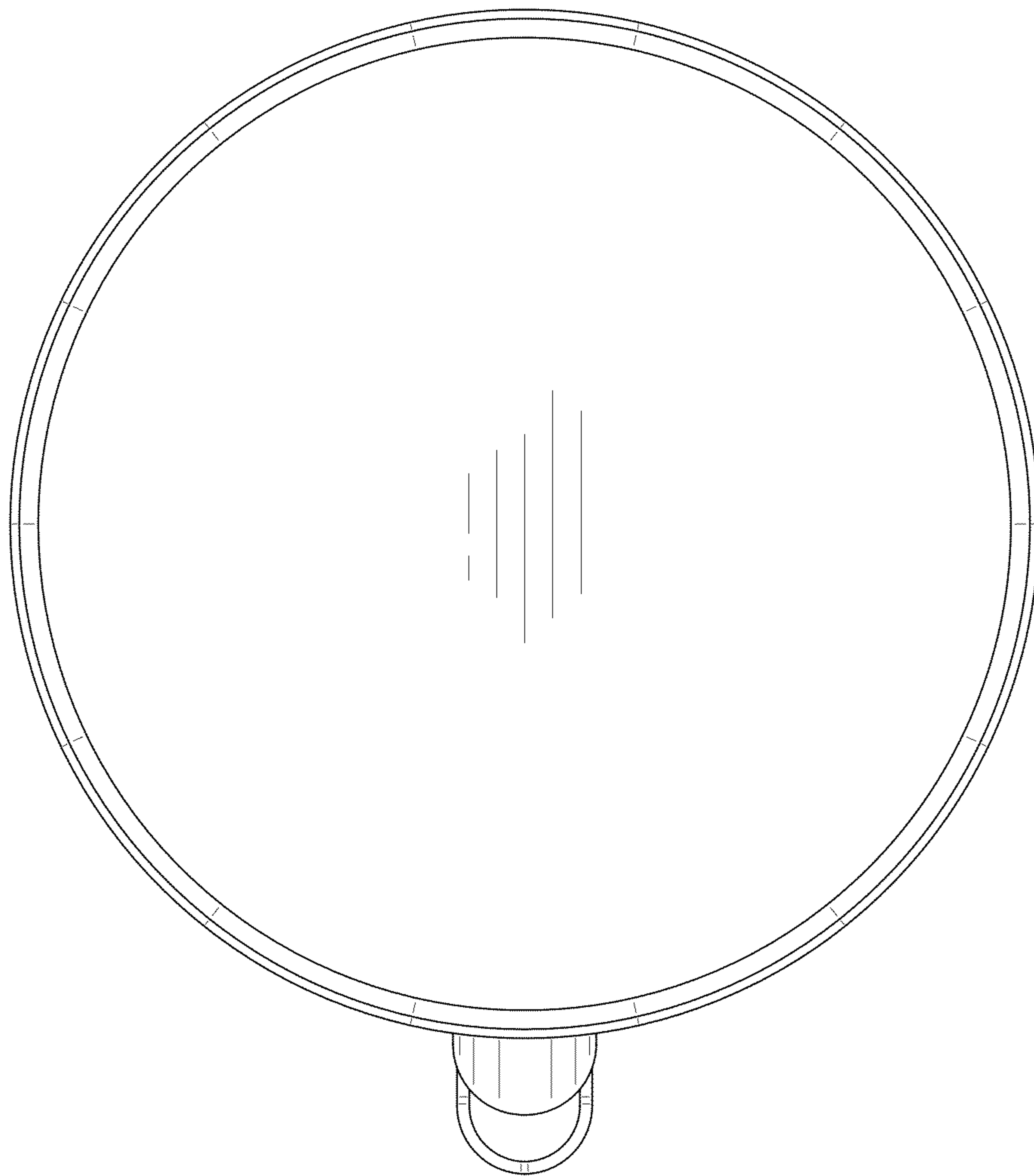


FIG. 8

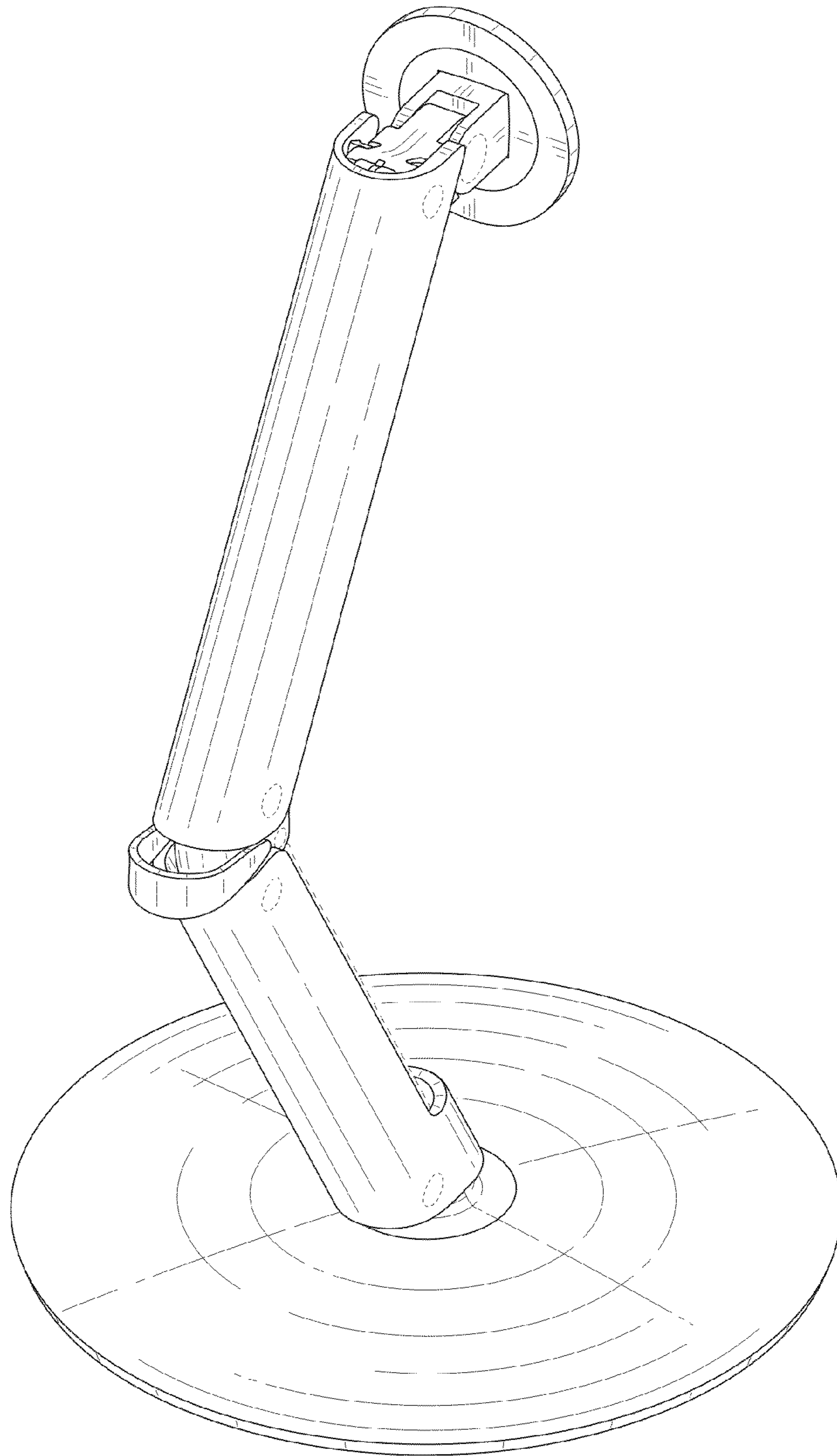


FIG. 9

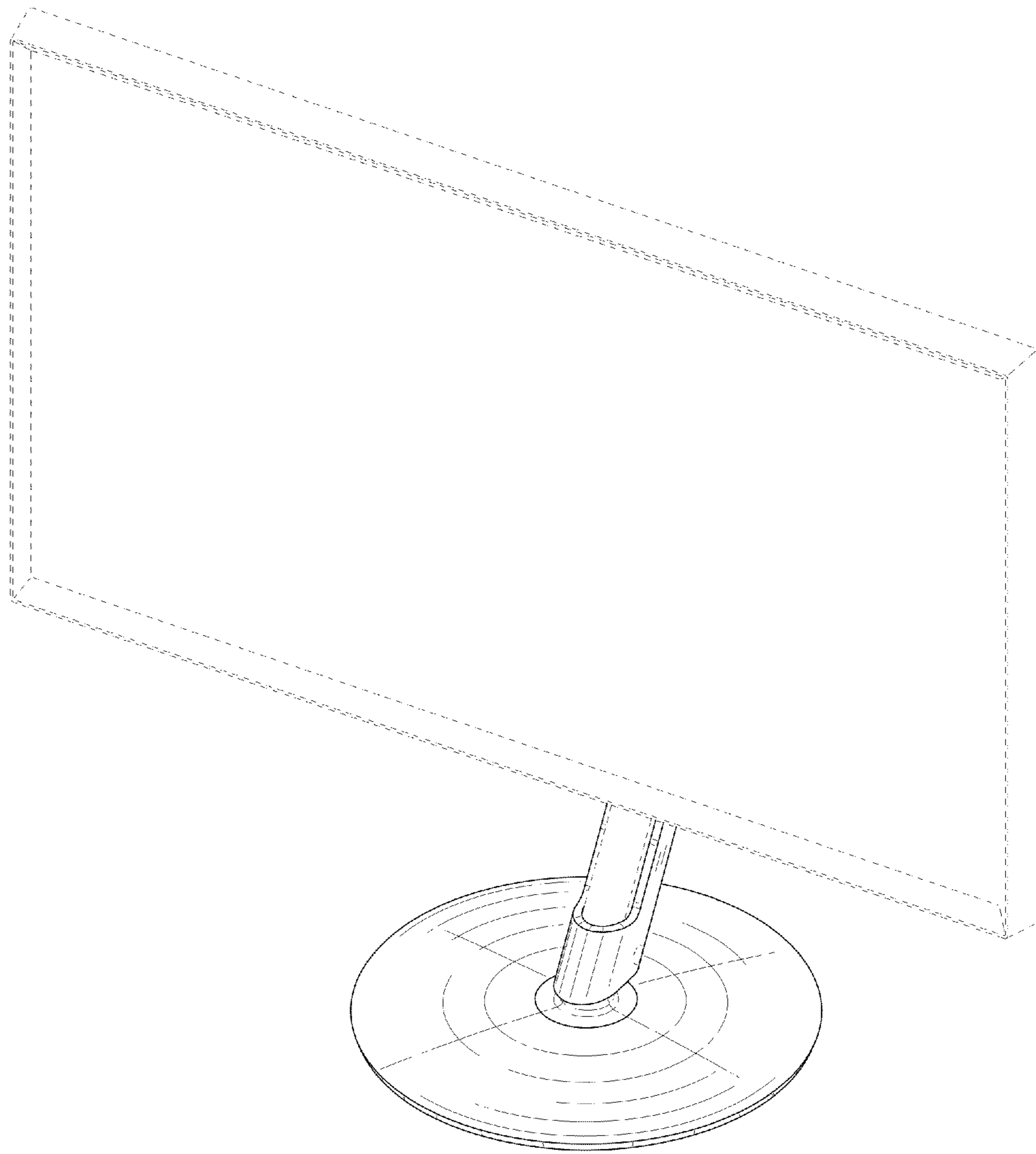


FIG. 10

