

US00D758374S

(12) **United States Design Patent**
Kim et al.

(10) **Patent No.:** **US D758,374 S**
(45) **Date of Patent:** **** Jun. 7, 2016**

(54) **STAND FOR TELEVISION**

2021/0335; H02G 3/126; F16B 47/00; F16B 47/006; A47G 1/17; A47K 2201/00

(71) Applicant: **Samsung Electronics Co., Ltd.**,
Suwon-si, Gyeonggi-do (KR)

See application file for complete search history.

(72) Inventors: **Eui Seok Kim**, Seongnam-si (KR);
Chae Joo Son, Seoul (KR); **Won Jun Lee**, Seoul (KR)

(56) **References Cited**

U.S. PATENT DOCUMENTS

(73) Assignee: **SAMSUNG ELECTRONICS CO., LTD.**,
Suwon-Si, Gyeonggi-Do (KR)

D491,952 S * 6/2004 Oddsen D14/447
D618,244 S * 6/2010 Sweet D14/299
D704,198 S * 5/2014 Kim D14/447

(Continued)

(**) Term: **14 Years**

Primary Examiner — Barbara Fox

Assistant Examiner — Katie Mroczka

(21) Appl. No.: **29/516,786**

(74) *Attorney, Agent, or Firm* — Ladas & Parry LLP

(22) Filed: **Feb. 5, 2015**

(57) **CLAIM**

We claim the ornamental design for a stand for television, as shown and described.

(30) **Foreign Application Priority Data**

DESCRIPTION

Aug. 8, 2014 (KR) 30-2014-0038904

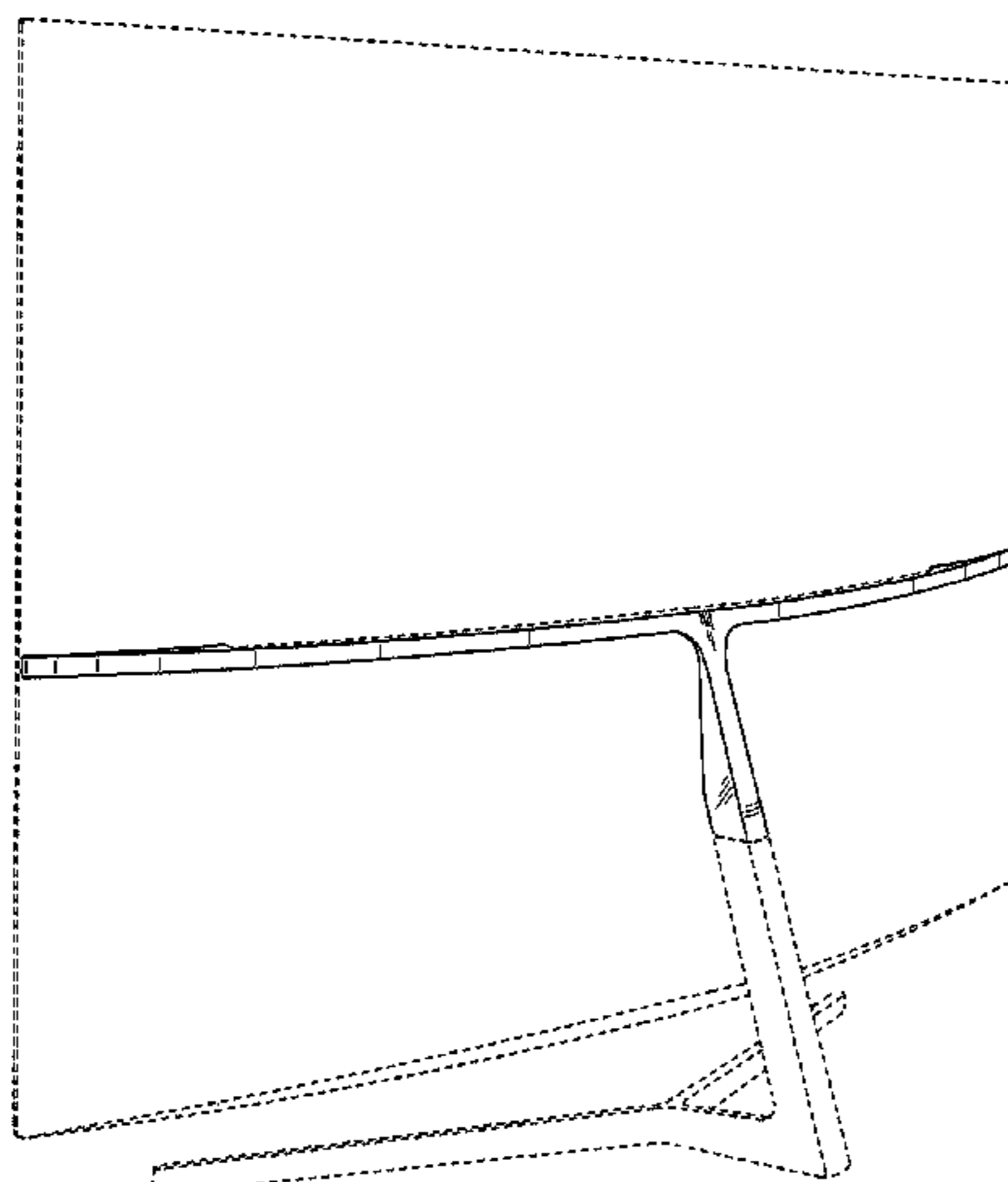
(51) **LOC (10) CL.** **08-07**

(52) **U.S. CL.**
USPC **D14/451**

(58) **Field of Classification Search**
USPC D14/371–382, 125–129, 336, 337,
D14/447–452, 492, 335, 239, 457, 439–441,
D14/432, 251–253; D8/349, 354, 363, 373,
D8/376, 380; D21/333; D12/415; D3/218;
348/180, 184, 325, 739, 825
CPC . G06F 3/0412; G06F 1/13338; G06F 3/3648;
G06F 3/016; G06F 3/0488; G06F 3/011;
G06F 3/038; G06F 3/03543; G06F 3/0338;
G06F 3/0202; G06F 3/0219; G06F 3/0213;
G06F 1/1616; G06F 3/023; G06F 3/04883;
G02F 1/1313; G02F 1/1333; G02F 1/135;
G02F 1/132; G02F 1/133308; G02F 1/134309;
G02F 1/13718; G06K 15/1252; B41J 2/465;
G03F 7/70291; G02B 27/0172; G02B 5/30;
G02B 2027/0118; G02B 27/0101; F16M
13/02; F16M 13/00; F16M 11/10; F16M
11/04; F16M 2200/08; F16M 11/2021;
A47B 21/0314; A47B 88/044; A47B

FIG. 1 is a front perspective view of a stand for television showing our new design;
FIG. 2 is a front view thereof;
FIG. 3 is a rear view thereof;
FIG. 4 is a left-side view thereof;
FIG. 5 is a right-side view thereof;
FIG. 6 is a top plan view thereof;
FIG. 7 is a bottom plan view thereof;
FIG. 8 is a rear perspective view thereof; and,
FIG. 9 is a rear perspective view of the stand for television, shown in an environment of use.
The broken lines shown in FIGS. 1-8 illustrate portions of the stand for television that form no part of the claimed design. The broken lines illustrating a monitor in FIG. 9 represents environment, while the remaining broken lines in FIG. 9 illustrates portions of the stand for television; the broken lines in FIG. 9 form no part of the claimed design.
The dot dash lines in FIGS. 1-6, 8 and 9 represent an unclaimed boundary line that forms no part of the claimed design.

1 Claim, 9 Drawing Sheets



(56)

References Cited

U.S. PATENT DOCUMENTS

D716,245 S * 10/2014 Kim D14/126
D717,283 S * 11/2014 Yoon D14/126
D722,068 S * 2/2015 Jung D14/447
D728,538 S * 5/2015 Shin D14/239

D736,732 S * 8/2015 Yoon D14/126
D737,805 S * 9/2015 Park D14/239
D743,953 S * 11/2015 Ann D14/239
D744,461 S * 12/2015 Shin D14/239
D745,864 S * 12/2015 Jung D14/239
D746,799 S * 1/2016 Kim D14/239

* cited by examiner

FIG. 1

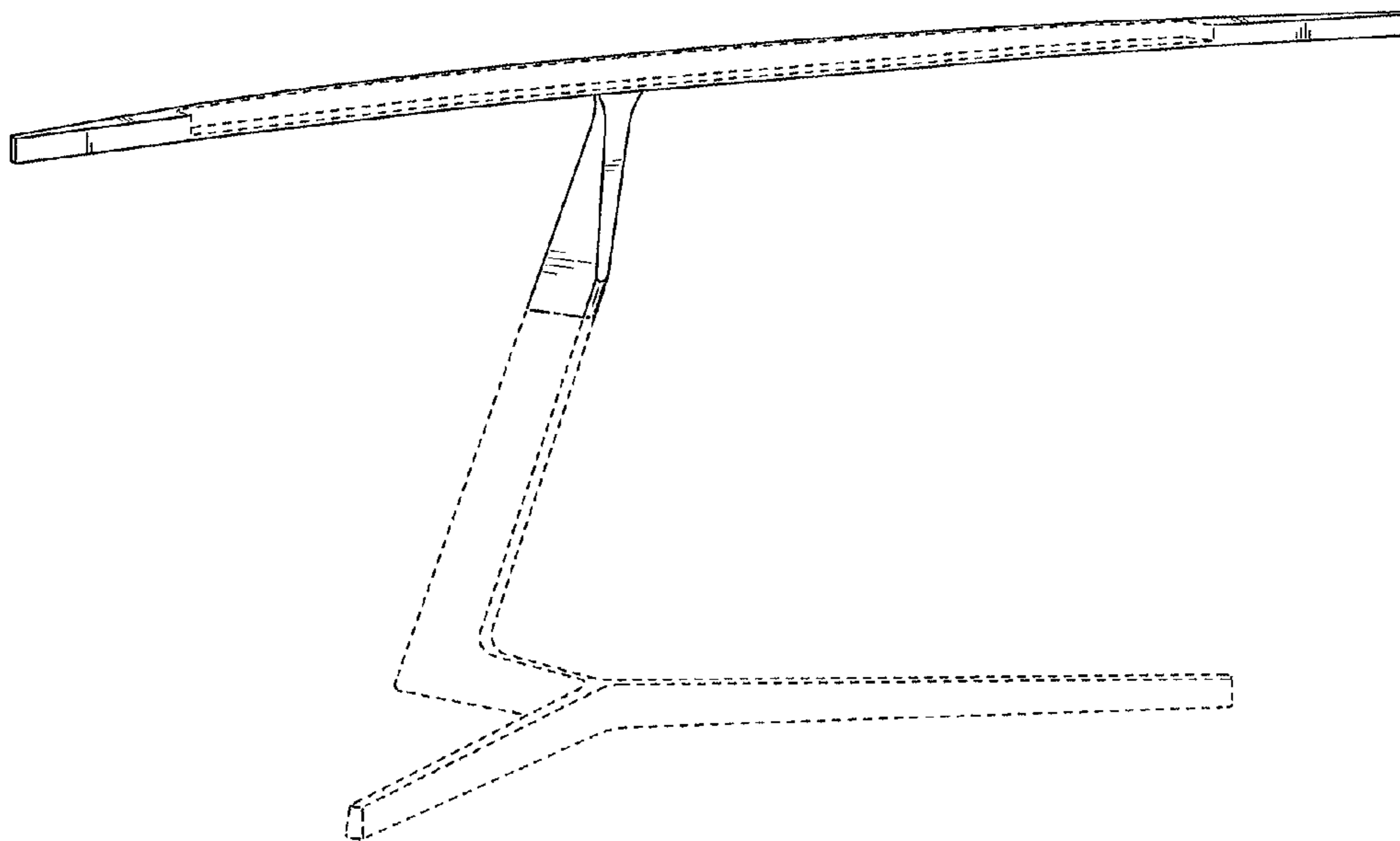


FIG. 2

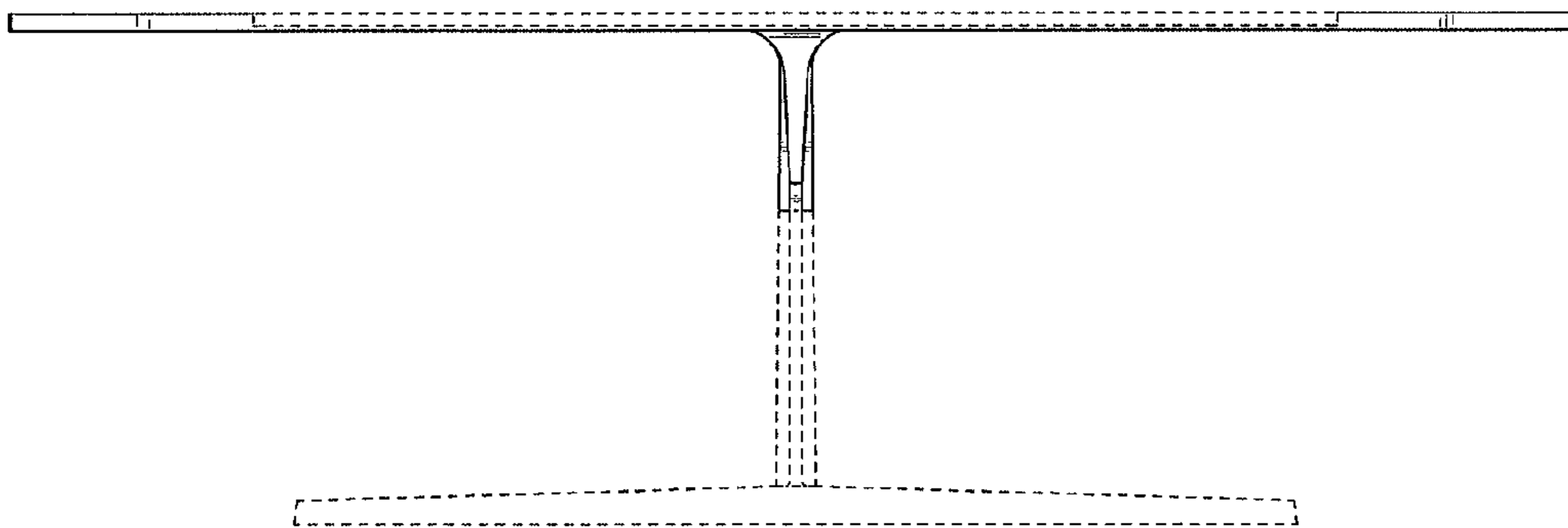


FIG. 3

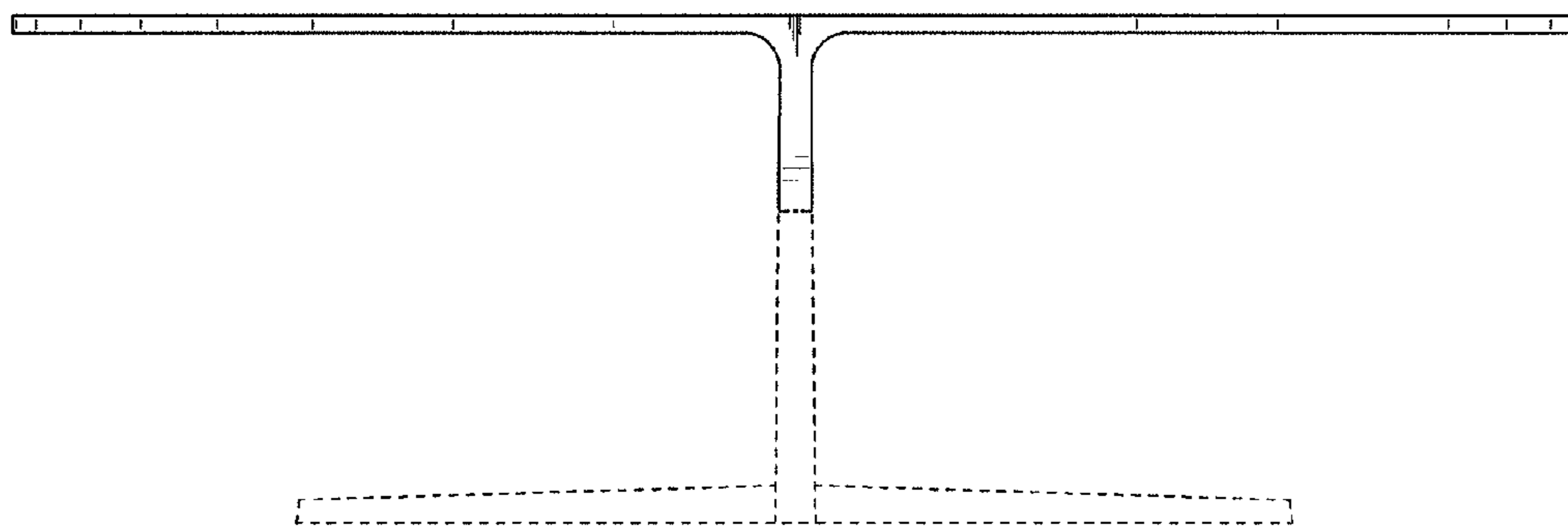


FIG. 4

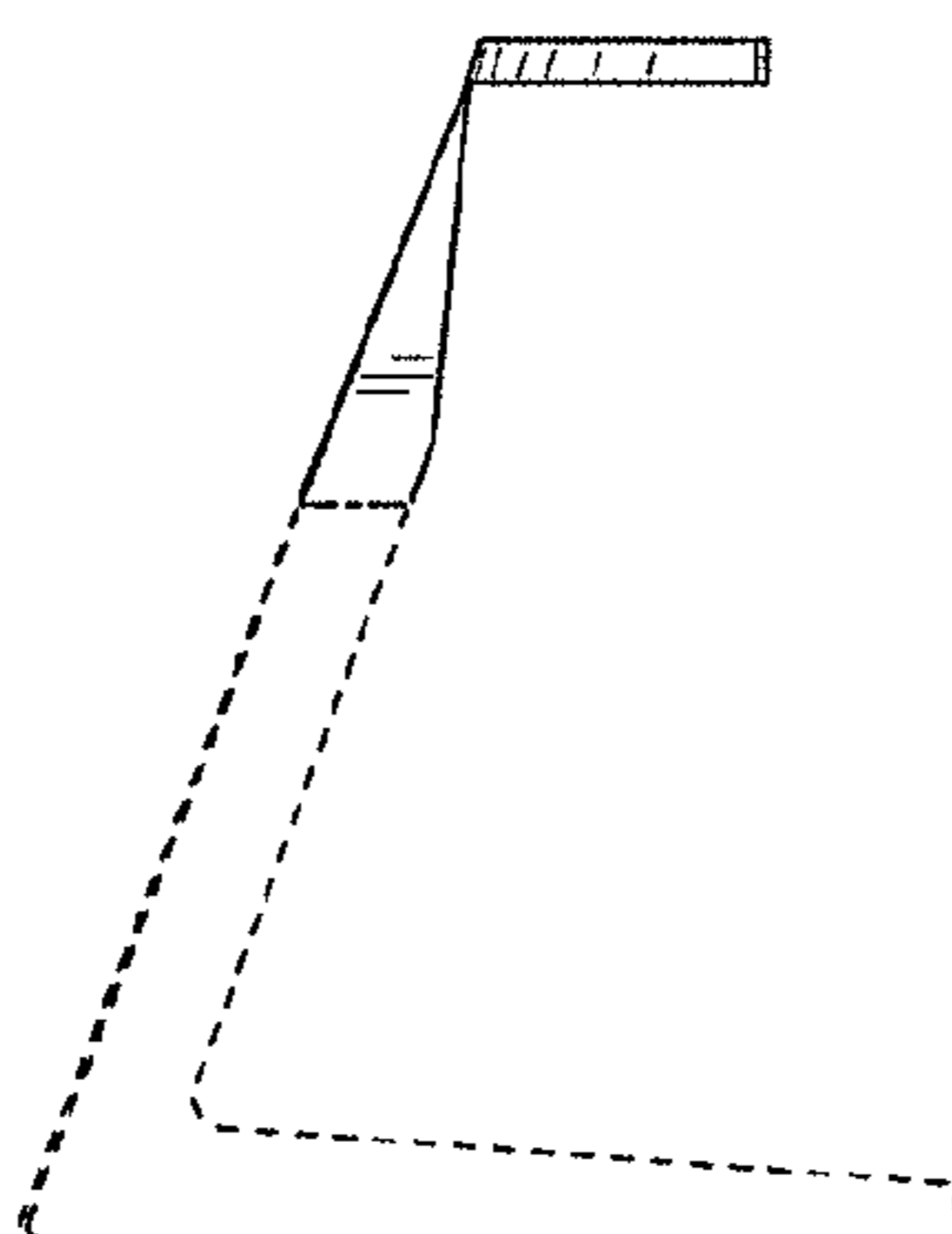


FIG. 5

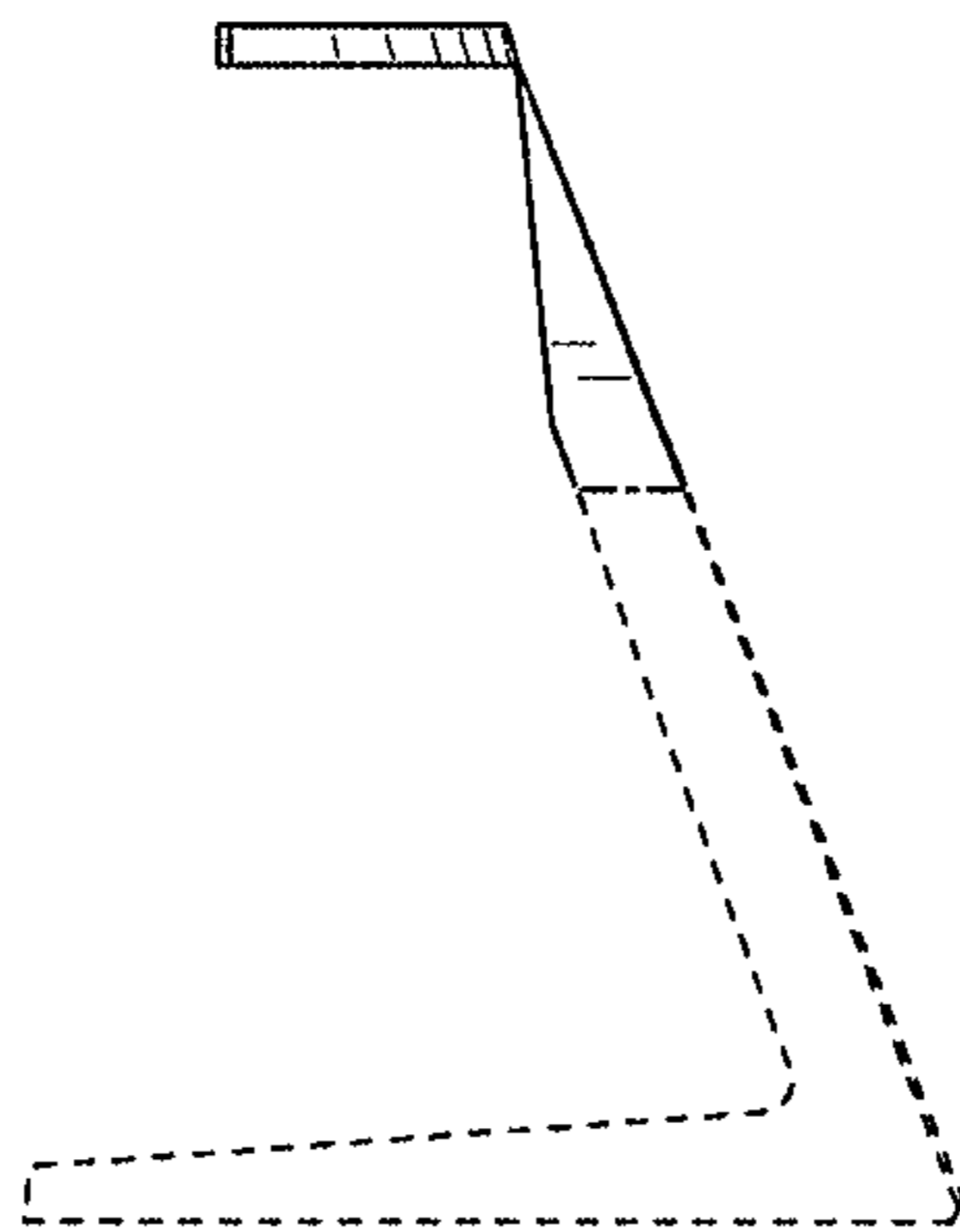


FIG. 6

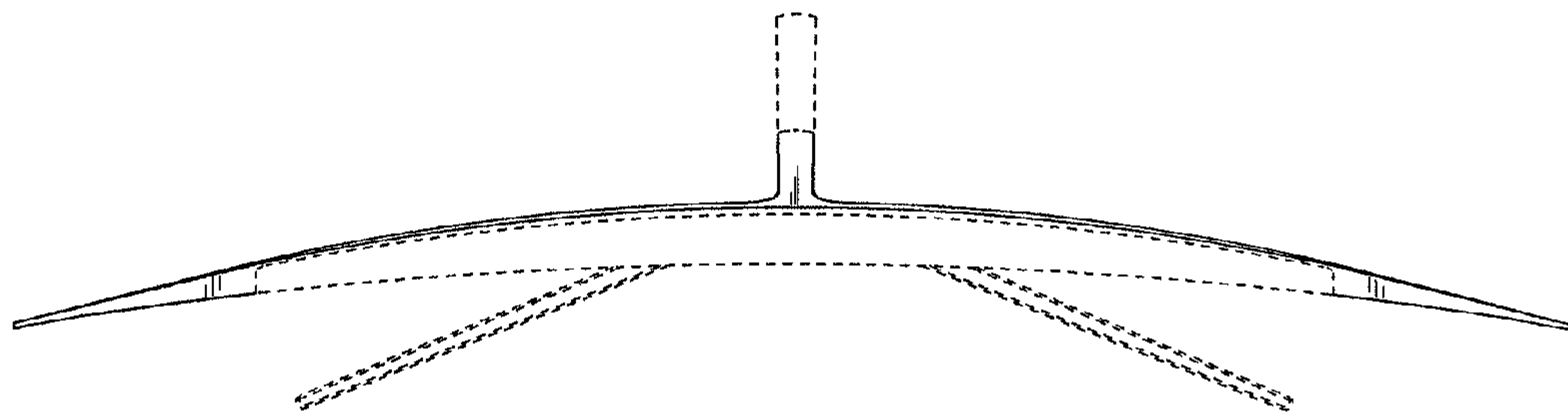


FIG. 7

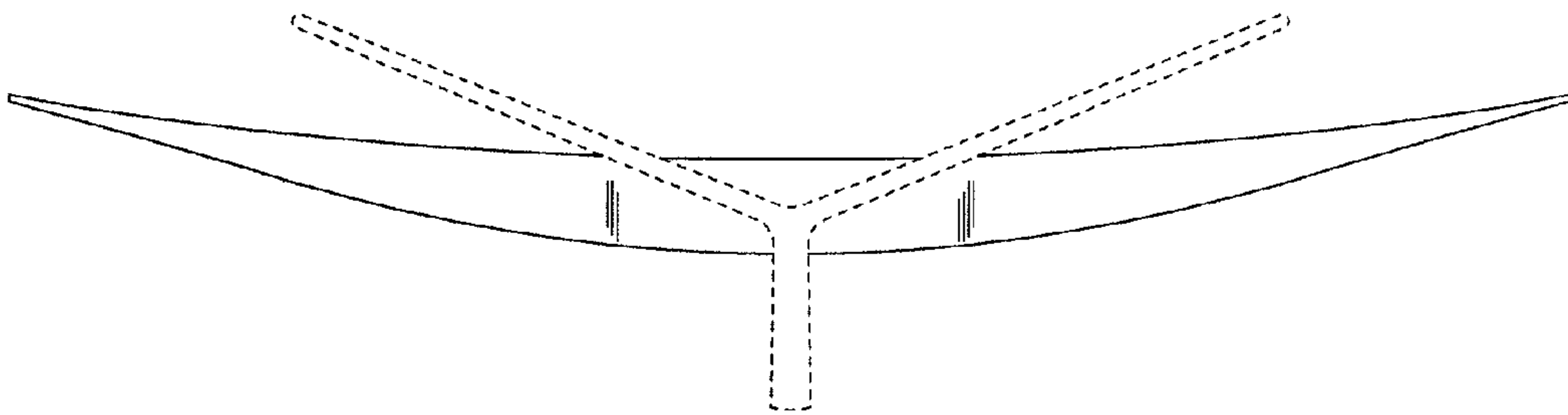


FIG. 8

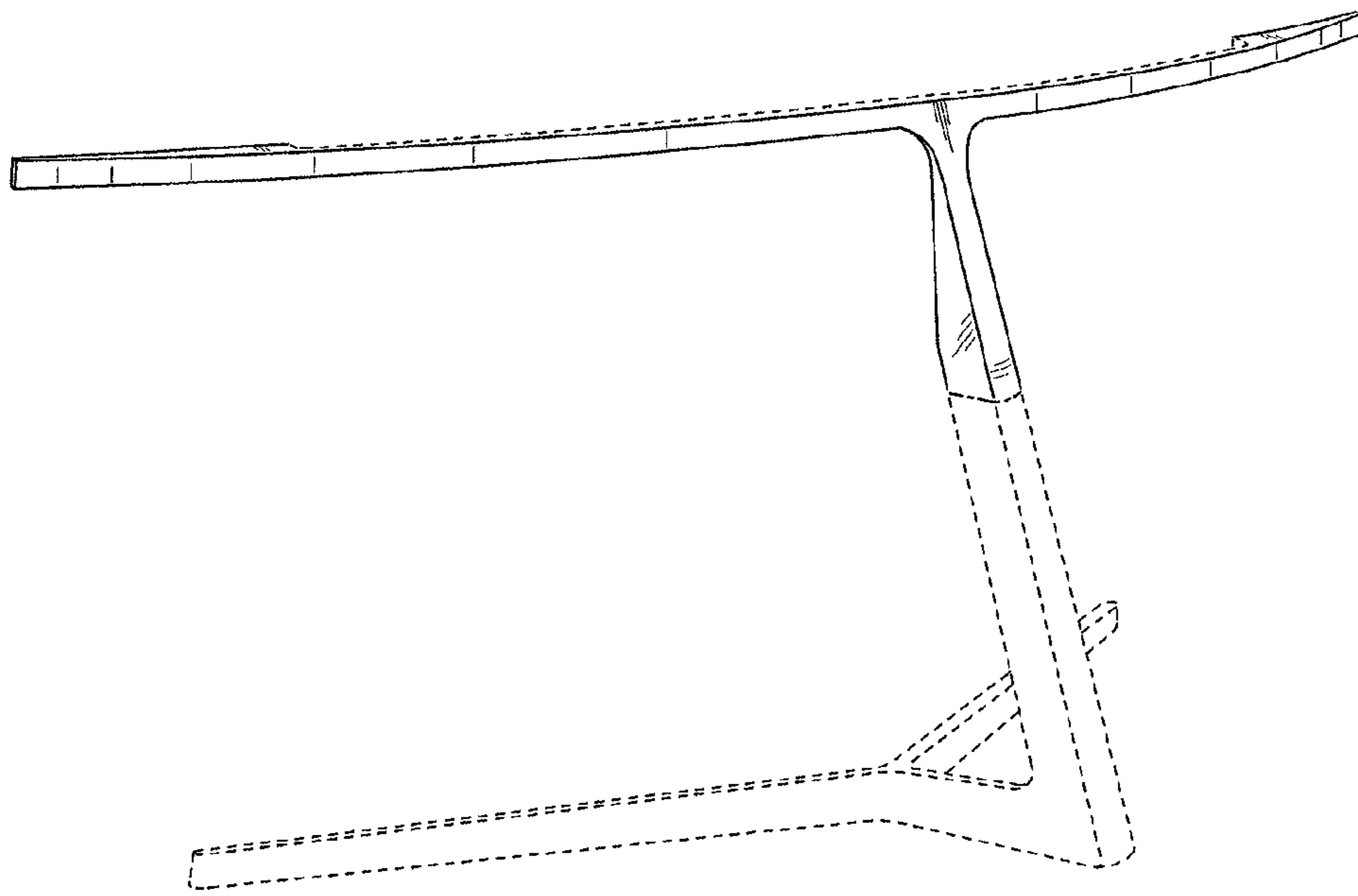


FIG. 9

