



US00D758373S

(12) **United States Design Patent**
Kim et al.

(10) **Patent No.:** **US D758,373 S**
(45) **Date of Patent:** **** Jun. 7, 2016**

(54) **STAND FOR TELEVISION**

47/006; A47G 1/17; A47K 2201/00
See application file for complete search history.

(71) Applicant: **Samsung Electronics Co., Ltd.**,
Suwon-si, Gyeonggi-do (KR)

(56) **References Cited**

(72) Inventors: **Eui Seok Kim**, Seongnam-si (KR);
Chae Joo Son, Seoul (KR); **Won Jun Lee**, Seoul (KR)

U.S. PATENT DOCUMENTS

D201,026 S * 5/1965 Wiese D6/701
D652,045 S * 1/2012 Hong D14/447

(73) Assignee: **SAMSUNG ELECTRONICS CO., LTD.**,
Suwon-Si, Gyeonggi-Do (KR)

(Continued)

(**) Term: **14 Years**

Primary Examiner — Garth Rademaker

Assistant Examiner — Katie Mroczka

(21) Appl. No.: **29/516,781**

(74) *Attorney, Agent, or Firm* — Ladas & Parry LLP

(22) Filed: **Feb. 5, 2015**

(57) **CLAIM**

We claim the ornamental design for a stand for television, as shown and described.

(30) **Foreign Application Priority Data**

DESCRIPTION

Aug. 8, 2014 (KR) 30-2014-0038906

(51) **LOC (10) Cl.** **08-07**

(52) **U.S. Cl.**
USPC **D14/451**

(58) **Field of Classification Search**

USPC D14/371–382, 125–129, 336, 337,
D14/447–452, 492, 335, 239, 457, 439–441,
D14/432, 251–253; D8/349, 354, 363, 373,
D8/376, 380; 348/180, 184, 325, 739, 825;
D12/407, 415; D3/218; 341/12

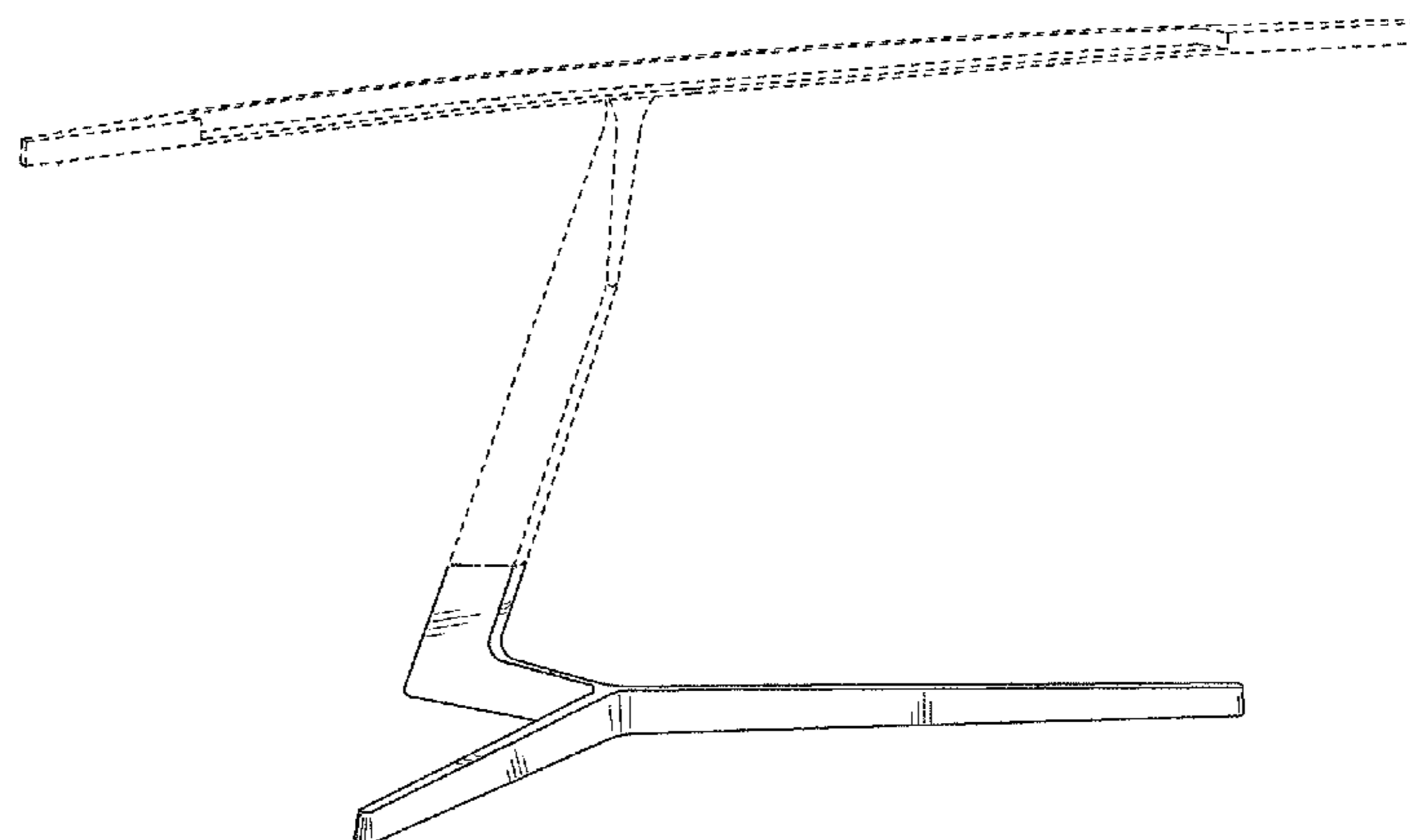
CPC G06F 3/0412; G06F 3/016; G06F 3/0488;
G06F 3/011; G06F 3/038; G06F 3/03543;
G06F 3/0338; G06F 3/0202; G06F 3/0219;
G06F 3/0213; G06F 1/1616; G06F 3/023;
G06F 3/04883; G02F 1/13338; G02F 1/1313;
G02F 1/1333; G02F 1/135; G02F 1/132;
G02F 1/133308; G02F 1/134309; G02F
1/13718; G09G 3/3648; G06K 15/1252;
B41J 2/465; G03F 7/70291; G02B 27/0172;
G02B 5/30; G02B 2027/0118; G02B 27/0101;
F16M 13/02; F16M 13/00; F16M 11/10;
F16M 11/04; F16M 2200/08; F16M 11/2021;
A47B 21/0314; A47B 88/044; A47B
2021/0335; H02G 3/126; F16B 47/00; F16B

FIG. 1 is a front perspective view of a stand for television showing our new design;
FIG. 2 is a front view thereof;
FIG. 3 is a rear view thereof;
FIG. 4 is a left-side view thereof;
FIG. 5 is a right-side view thereof;
FIG. 6 is a top plan view thereof;
FIG. 7 is a bottom plan view thereof;
FIG. 8 is a rear perspective view thereof; and,
FIG. 9 is a rear perspective view of the stand for television, shown in an environment of use.

The evenly-spaced broken lines shown in FIGS. 1-8 illustrate portions of the stand for television that form no part of the claimed design. The evenly-spaced broken lines illustrating a monitor in FIG. 9 represent environment, while the remaining evenly-spaced broken lines in FIG. 9 illustrate portions of the stand for television; none of the evenly-spaced broken lines in FIG. 9 form any part of the claimed design.

The dot dash lines in FIGS. 1-6, 8 and 9 represent an unclaimed boundary line that forms no part of the claimed design.

1 Claim, 9 Drawing Sheets



(56)

References Cited

U.S. PATENT DOCUMENTS

D694,208 S *	11/2013	Duys	D14/126	D725,616 S *	3/2015	Oh	D14/126
D711,333 S *	8/2014	Kim	D14/126	D743,953 S *	11/2015	Ann	D14/239
D722,068 S *	2/2015	Jung	D14/447	D745,864 S *	12/2015	Jung	D14/239
D725,087 S *	3/2015	Kim	D14/239	D746,799 S *	1/2016	Kim	D14/239
				D747,299 S *	1/2016	Kim	D14/239
				D747,300 S *	1/2016	Kim	D14/239
				D748,080 S *	1/2016	Jung	D14/239

* cited by examiner

FIG. 1

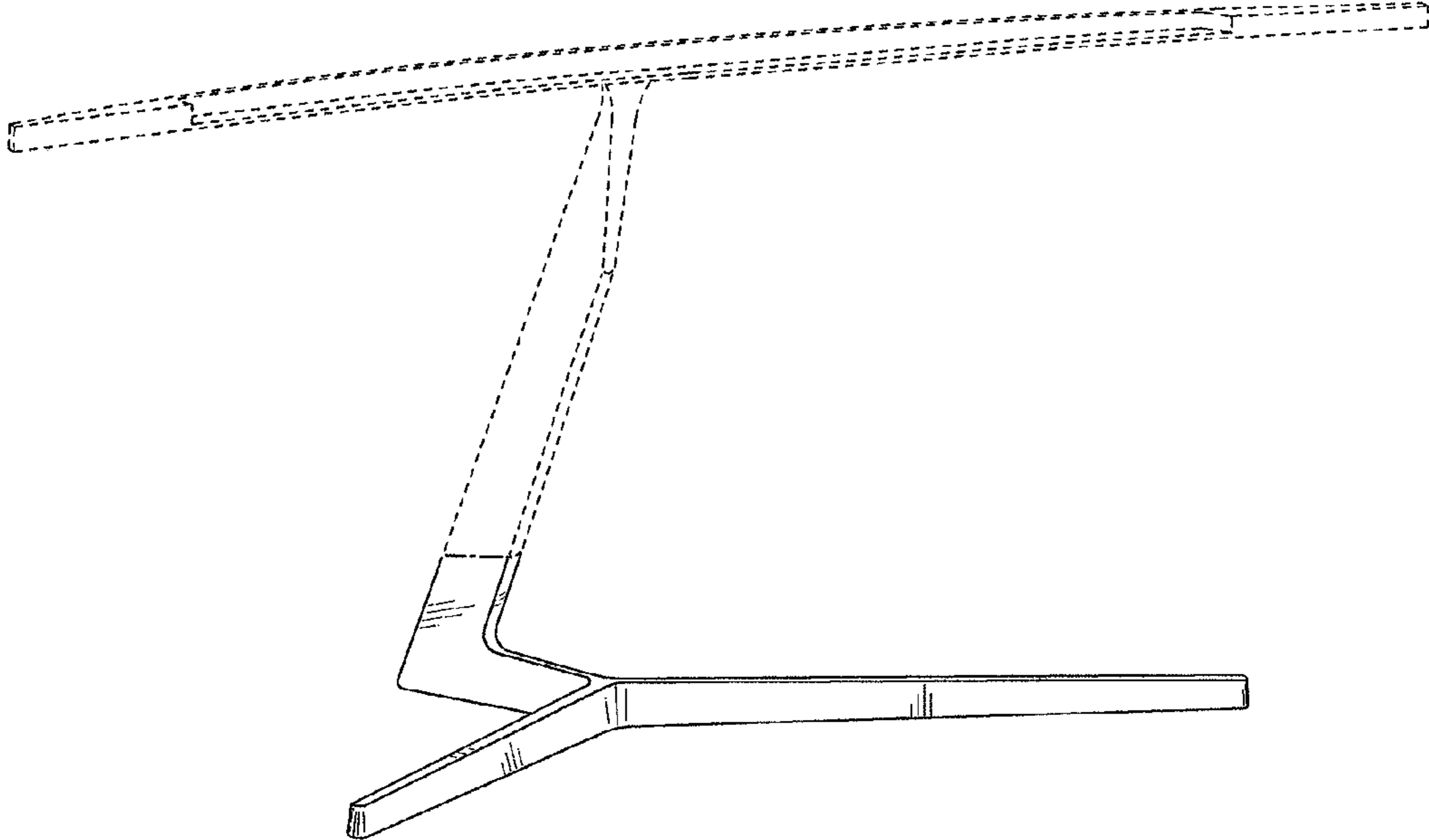


FIG. 2

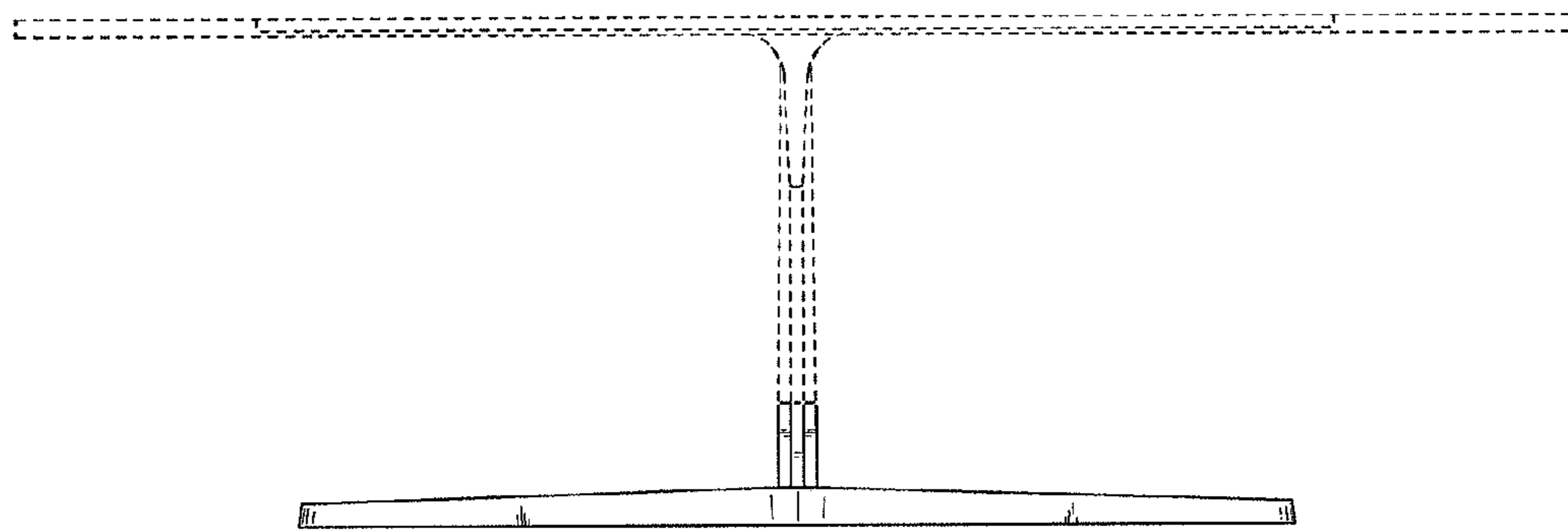


FIG. 3

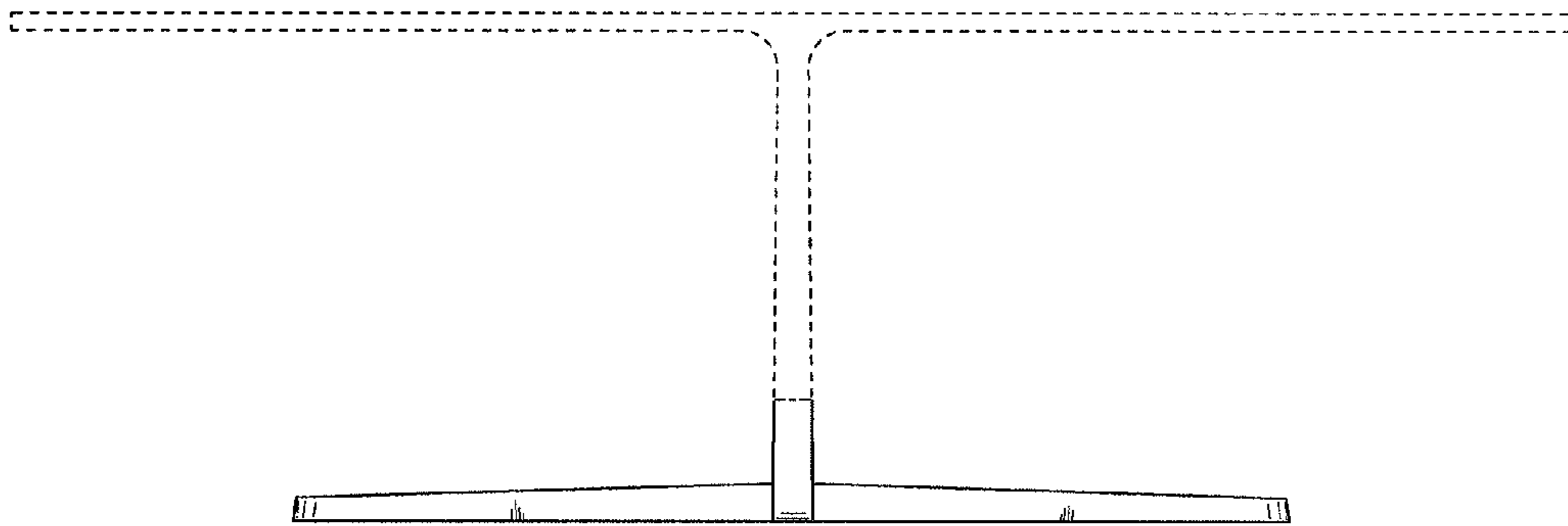


FIG. 4

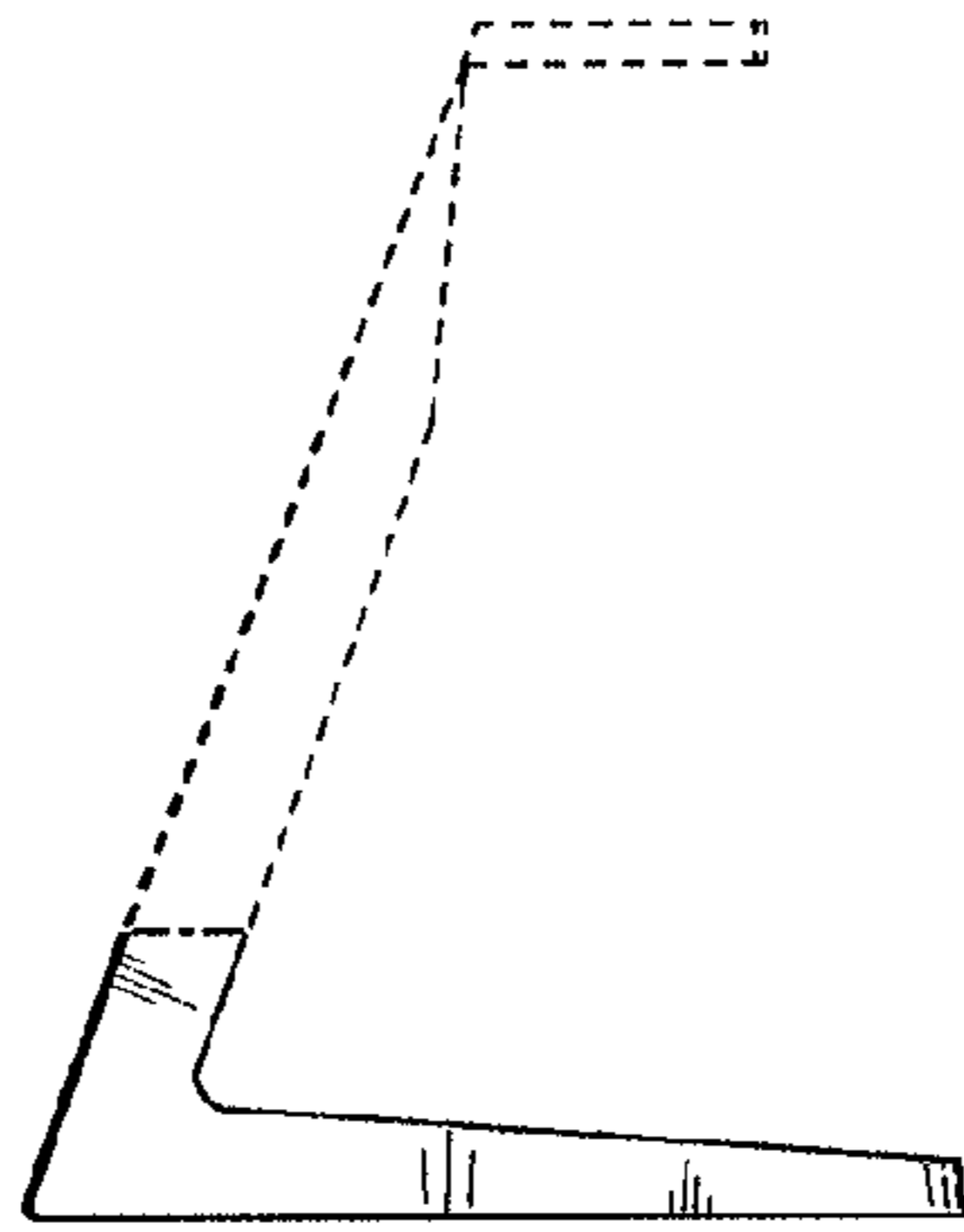


FIG. 5

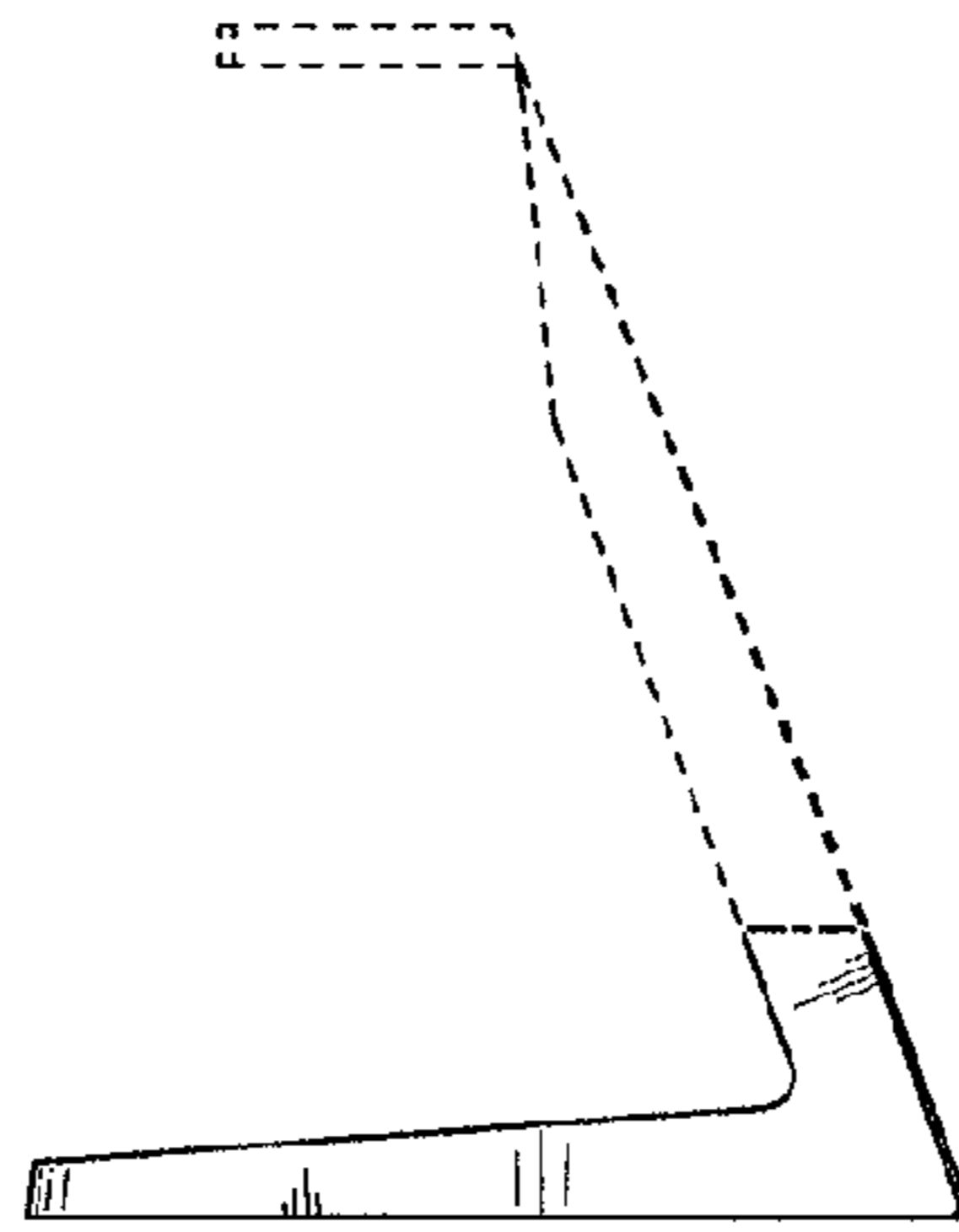


FIG. 6

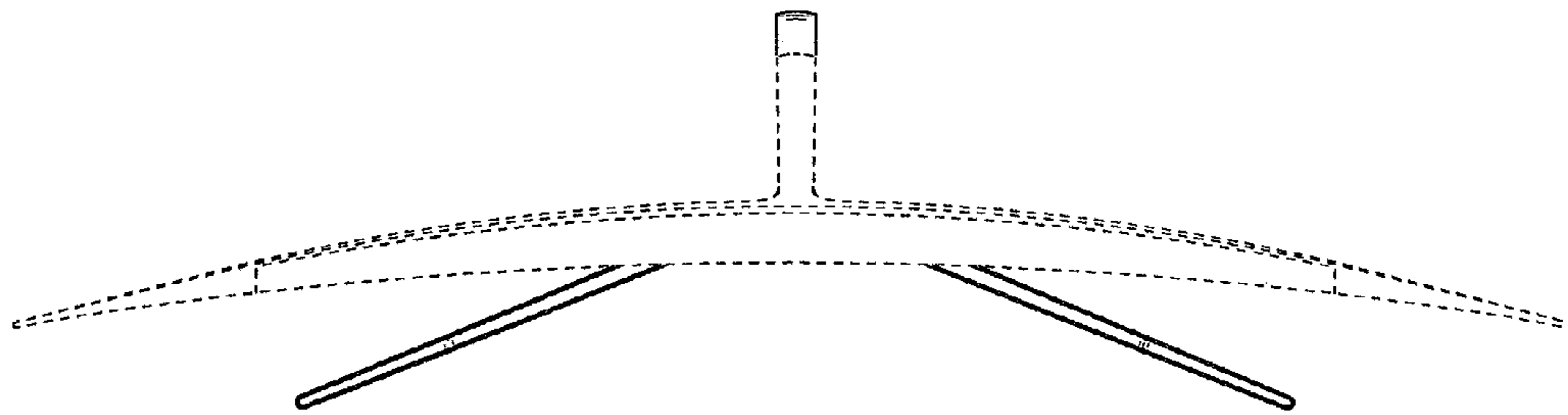


FIG. 7

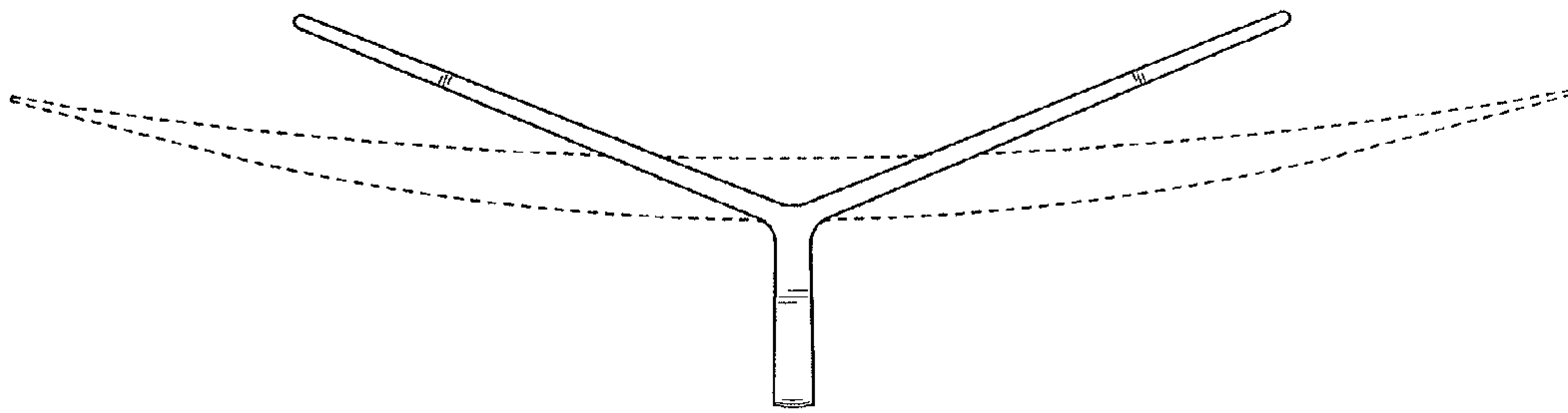


FIG. 8

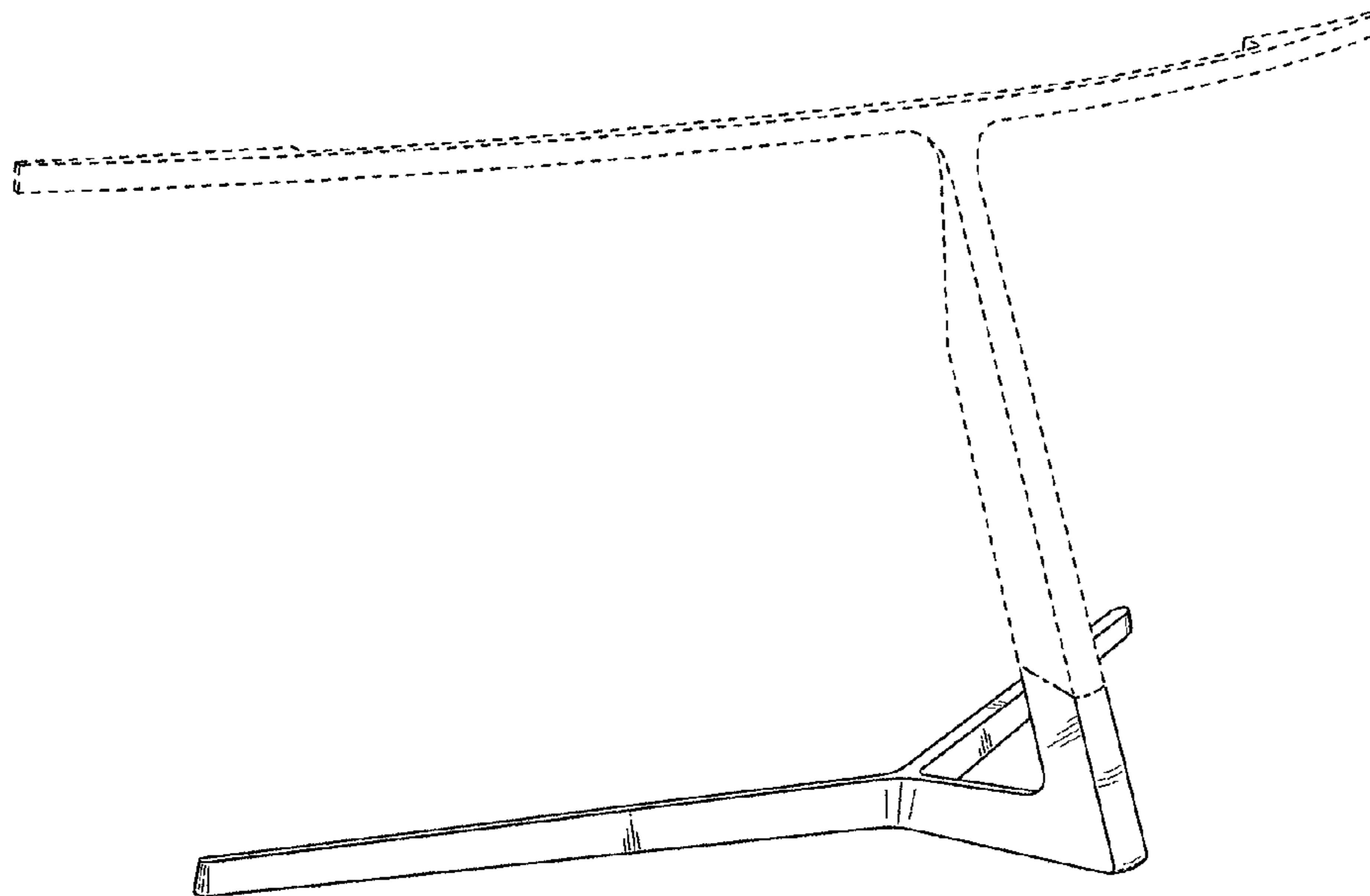


FIG. 9

