



US00D758371S

(12) **United States Design Patent**
Daniel

(10) **Patent No.:** **US D758,371 S**
(45) **Date of Patent:** **** Jun. 7, 2016**

- (54) **USB DONGLE**
- (71) Applicant: **Isaac S. Daniel**, Miramar, FL (US)
- (72) Inventor: **Isaac S. Daniel**, Miramar, FL (US)
- (**) Term: **14 Years**
- (21) Appl. No.: **29/519,734**
- (22) Filed: **Mar. 6, 2015**
- (51) **LOC (10) Cl.** **14-02**
- (52) **U.S. Cl.**
USPC **D14/435.1**
- (58) **Field of Classification Search**
USPC D14/435.1, 480.1–480.7, 411, 433, 436,
D14/484.1, 137, 155, 203.1–203.8, 240,
D14/242, 133, 154
CPC H05K 5/0278; G06K 19/07732
See application file for complete search history.

- 7,466,556 B2 * 12/2008 Hiew G06F 12/1416
361/736
- D647,097 S * 10/2011 Tung D14/436
- D656,139 S * 3/2012 Schlosstein D14/480.1
- D658,665 S * 5/2012 Akana D14/480.1
- D675,215 S * 1/2013 Akana D14/480.1
- D706,277 S * 6/2014 Fukuoka D14/480.1
- D710,366 S * 8/2014 Kim D14/436
- 2011/0279994 A1 * 11/2011 Lee H05K 5/0278
361/814

* cited by examiner

Primary Examiner — Angela J Lee

(74) *Attorney, Agent, or Firm* — Carol N. Green Kaul, Esq.

(57) **CLAIM**

The ornamental design for a USB dongle, as shown and described.

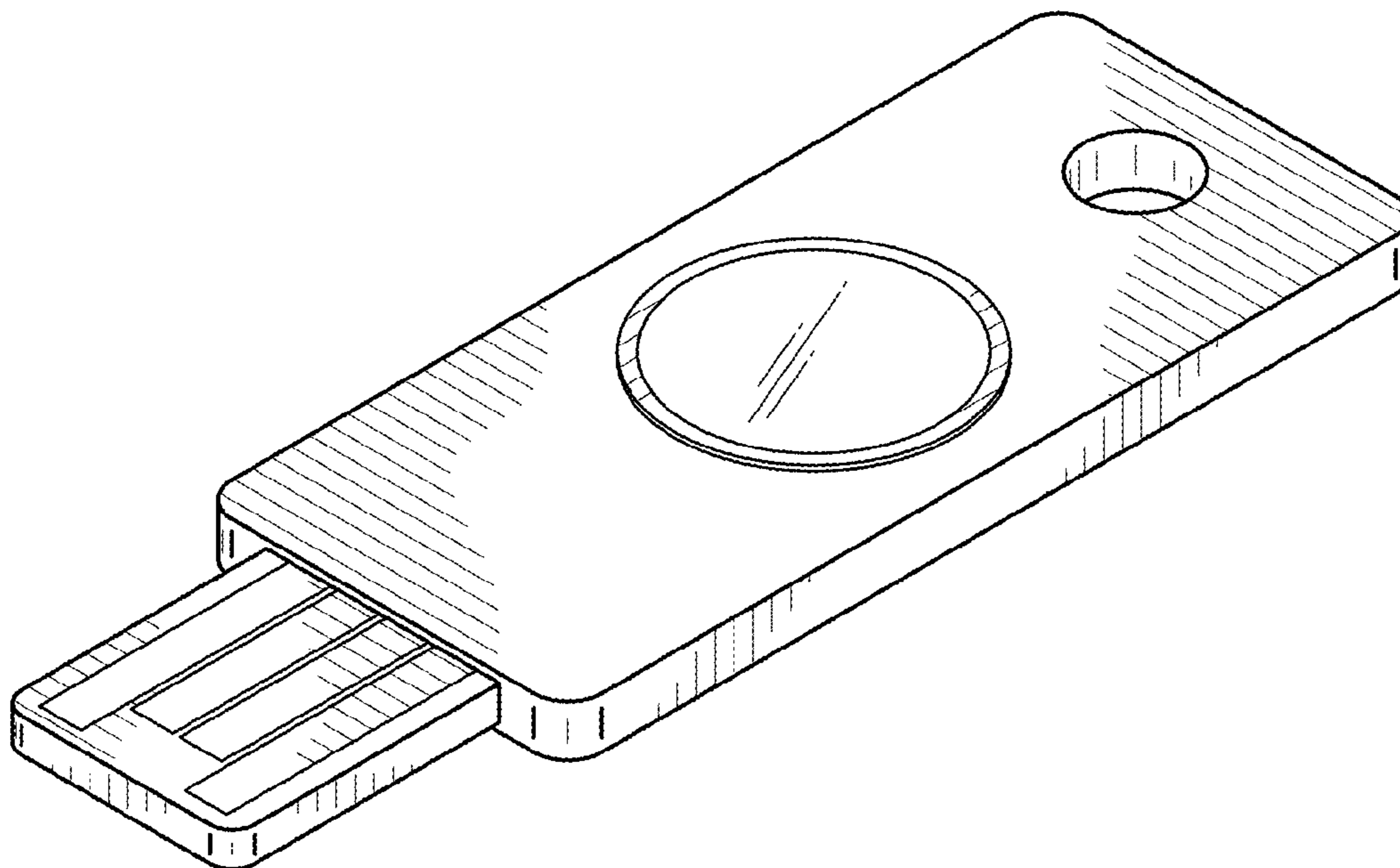
DESCRIPTION

FIG. 1 is a top perspective view of the apparatus.
 FIG. 2 is a bottom perspective view of the apparatus.
 FIG. 3 is a left side view of the apparatus.
 FIG. 4 is a front view of the apparatus.
 FIG. 5 is a top plan view of the apparatus; and,
 FIG. 6 is a bottom plan view of the apparatus.

1 Claim, 3 Drawing Sheets

(56) **References Cited**
U.S. PATENT DOCUMENTS

- D500,301 S * 12/2004 Deguchi D14/480.4
- D500,302 S * 12/2004 Deguchi D14/480.4
- D500,485 S * 1/2005 Deguchi D14/480.4
- D518,483 S * 4/2006 Yu D14/436
- D547,758 S * 7/2007 Ho D14/480.7



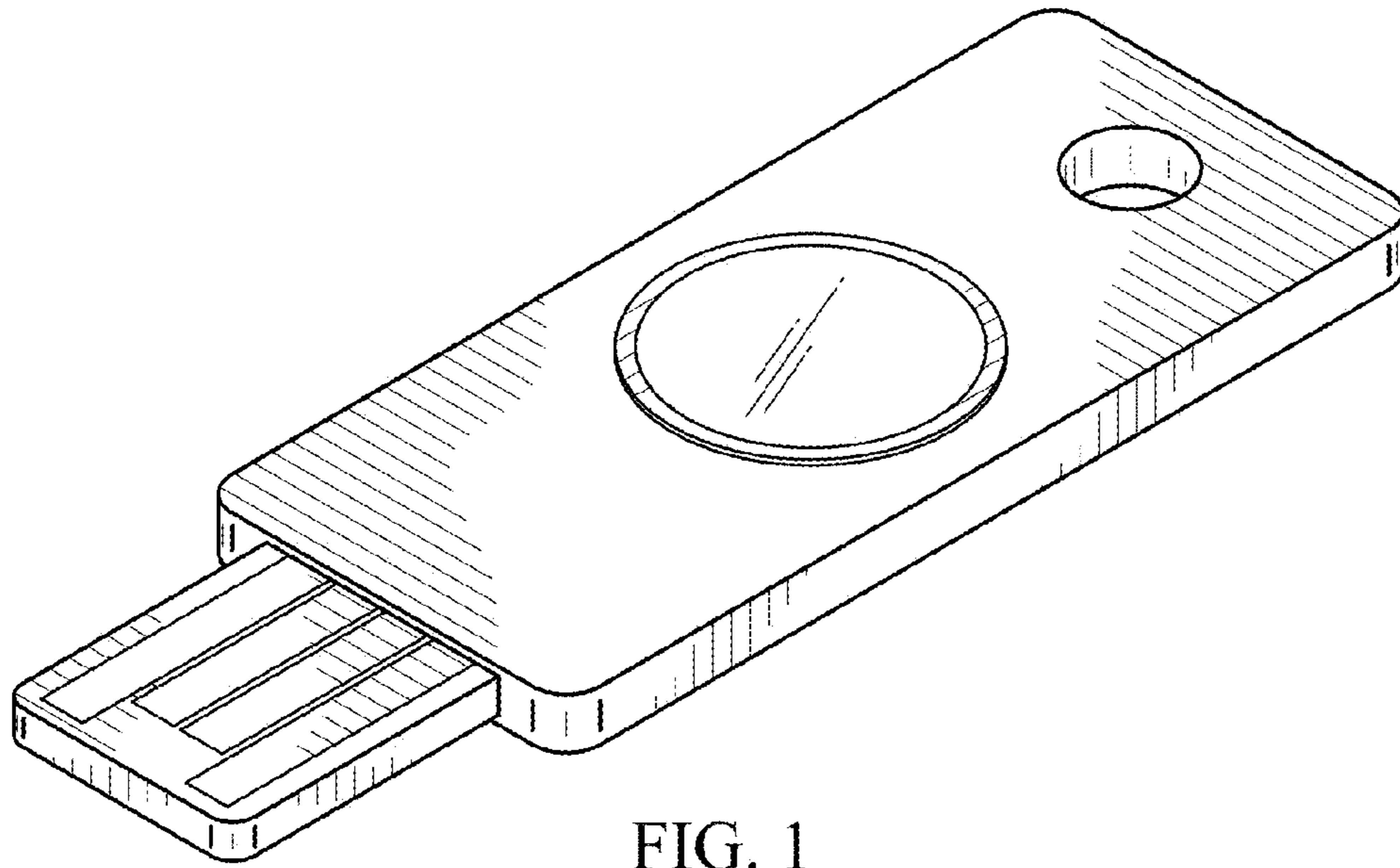


FIG. 1

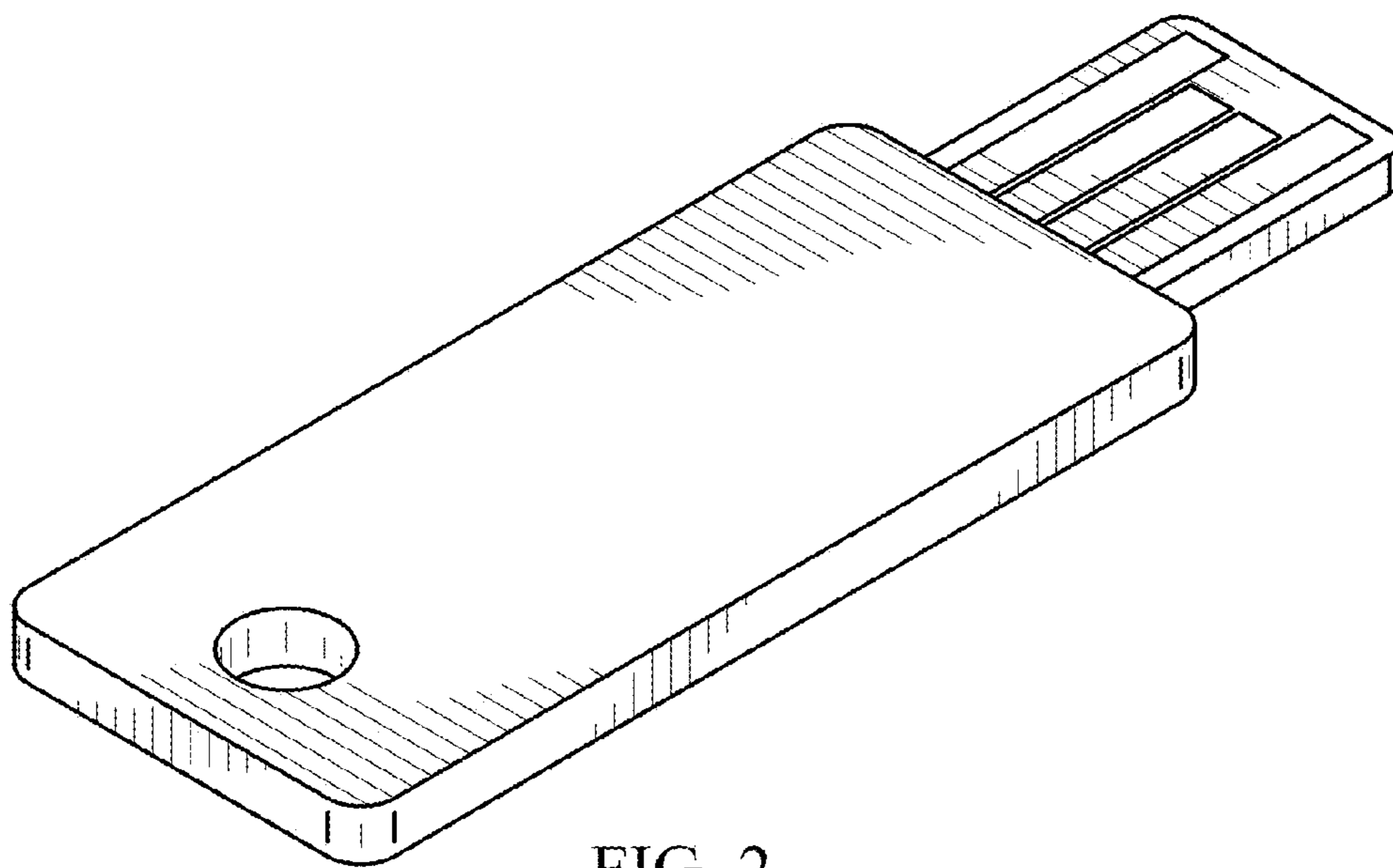


FIG. 2



FIG. 3



FIG. 4

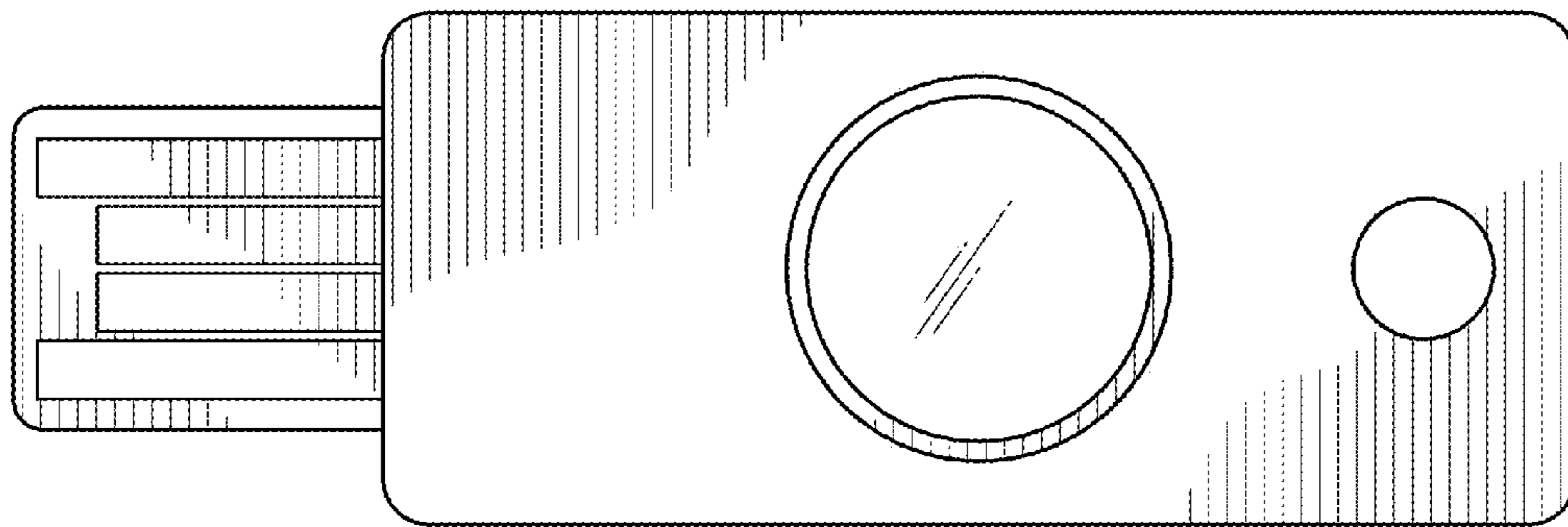


FIG. 5

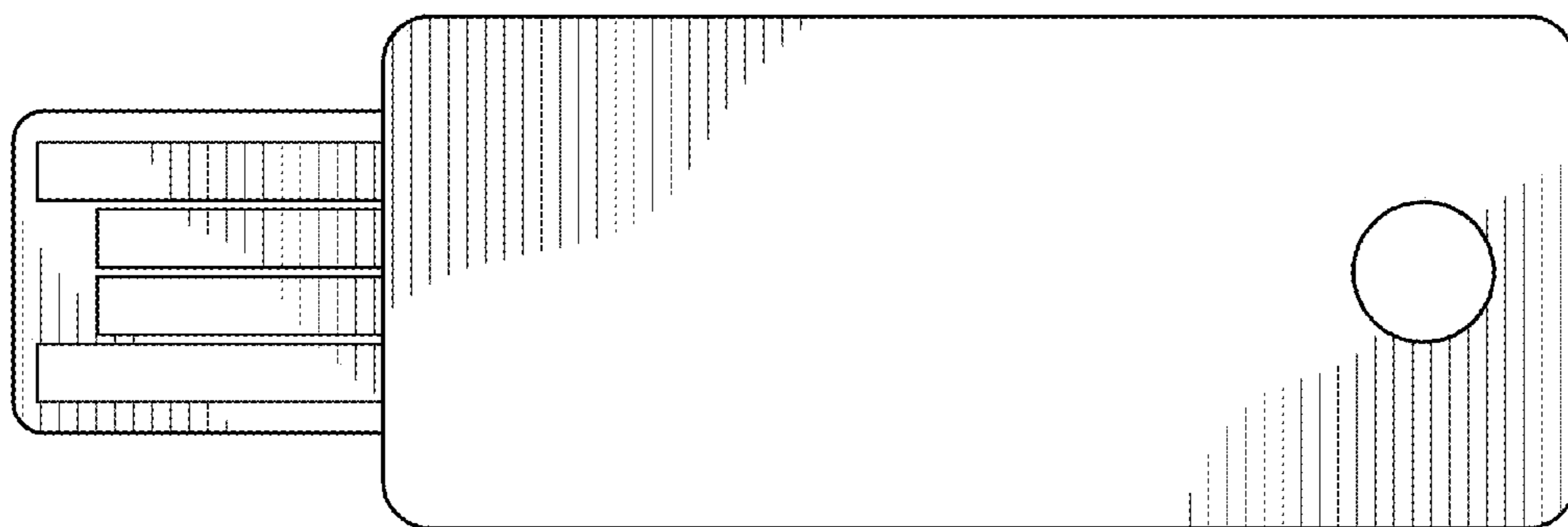


FIG. 6