



US00D758369S

(12) **United States Design Patent**
Kuroda et al.

(10) **Patent No.:** **US D758,369 S**

(45) **Date of Patent:** **** Jun. 7, 2016**

(54) **SCANNER**

(71) Applicant: **PFU LIMITED**, Kahoku-shi, Ishikawa (JP)

(72) Inventors: **Satoshi Kuroda**, Kahoku (JP); **Shoya Ishida**, Kahoku (JP); **Motoshi Shibuya**, Kahoku (JP); **Ryuichi Nagai**, Kahoku (JP)

(73) Assignee: **PFU LIMITED**, Ishikawa (JP)

(**) Term: **14 Years**

(21) Appl. No.: **29/520,959**

(22) Filed: **Mar. 19, 2015**

(30) **Foreign Application Priority Data**

Sep. 30, 2014 (JP) 2014-021617

(51) **LOC (10) Cl.** **14-02**

(52) **U.S. Cl.**
USPC **D14/422**

(58) **Field of Classification Search**
USPC D14/421-425; D18/40, 36-39, 41, D18/44-56; 235/462, 455, 470, 462.43, 235/482, 483; 358/474, 486, 488, 496, 498, 358/452, 449, 451, 453.1, 1.13; 318/685, 318/696; 355/81, 75; 399/405, 367, 379, 399/380; 382/217; 715/209, 222, 226, 274; 400/613, 613.1-613.4, 690.1-690.4, 400/691-694

CPC H04N 1/00; H04N 1/12; H04N 1/00013; H04N 1/00015; H04N 1/00018; H04N 1/00026; H04N 1/00557; H04N 1/00564; H04N 1/00567; H04N 1/0057; H04N 1/00572; H04N 1/00586; H04N 1/00588; H04N 1/00591; H04N 1/00594; H04N 1/00596; H04N 1/00604; H04N 1/00519; H04N 1/00559; H04N 1/1013; H04N 1/10; H04N 1/00551; H04N 1/00278; H04N 2201/0456; H04N 2201/0446; H04N 2201/00; H04N 2201/0094; G03G 15/0142; G03G 15/605;

G03G 15/602; B65H 5/26; B65H 5/30; B65H 7/00; B65H 2402/515; B65H 2402/31; B65H 2511/20; B65H 2511/414; B65H 2511/00194; B65H 2511/00198; B65H 2511/00202; B65H 2511/00206; B65H 2301/00; B65H 2220/04; B65H 3/5261; B65H 2513/42; B65H 2801/39; B65H 2801/31
See application file for complete search history.

(56) **References Cited**

U.S. PATENT DOCUMENTS

D258,959	S	*	4/1981	Clayton	D18/54
D263,397	S	*	3/1982	Vierling	D18/54
D297,051	S	*	8/1988	Kawamura	D24/165
D315,360	S	*	3/1991	Tokuda	D18/54
D315,361	S	*	3/1991	Kojima	D18/55
D317,783	S	*	6/1991	Matsumoto	D18/54
D318,066	S	*	7/1991	Moro	D18/54
D388,405	S	*	12/1997	Lin	D14/422
D428,047	S	*	7/2000	Kolls	D18/4.6

(Continued)

Primary Examiner — Susan Moon Lee

(74) *Attorney, Agent, or Firm* — RatnerPrestia

(57) **CLAIM**

The ornamental design for a scanner, as shown and described.

DESCRIPTION

FIG. 1 is a front perspective view of a scanner showing our new design;

FIG. 2 is a front view thereof;

FIG. 3 is a rear view thereof;

FIG. 4 is a right side view thereof;

FIG. 5 is a left side view thereof;

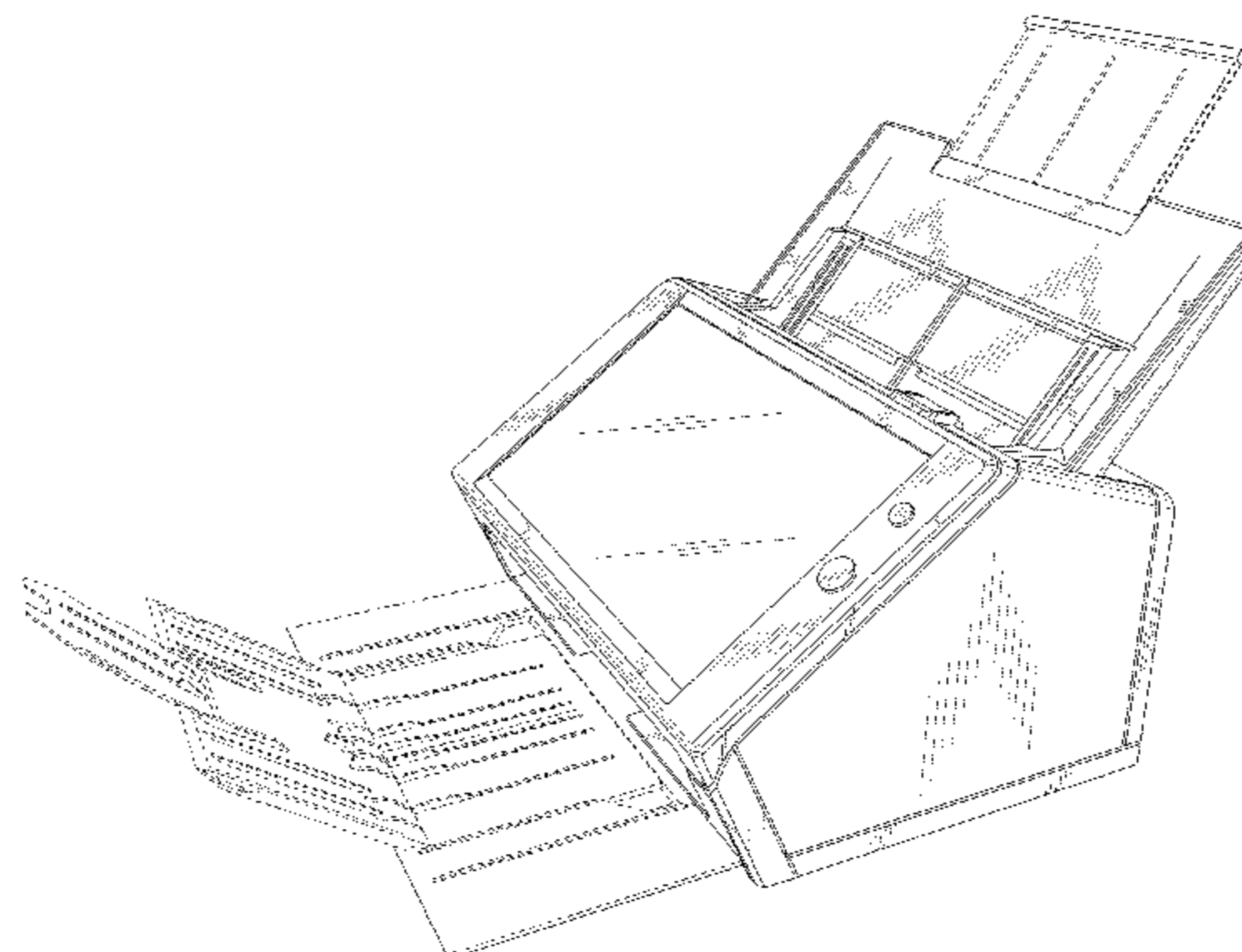
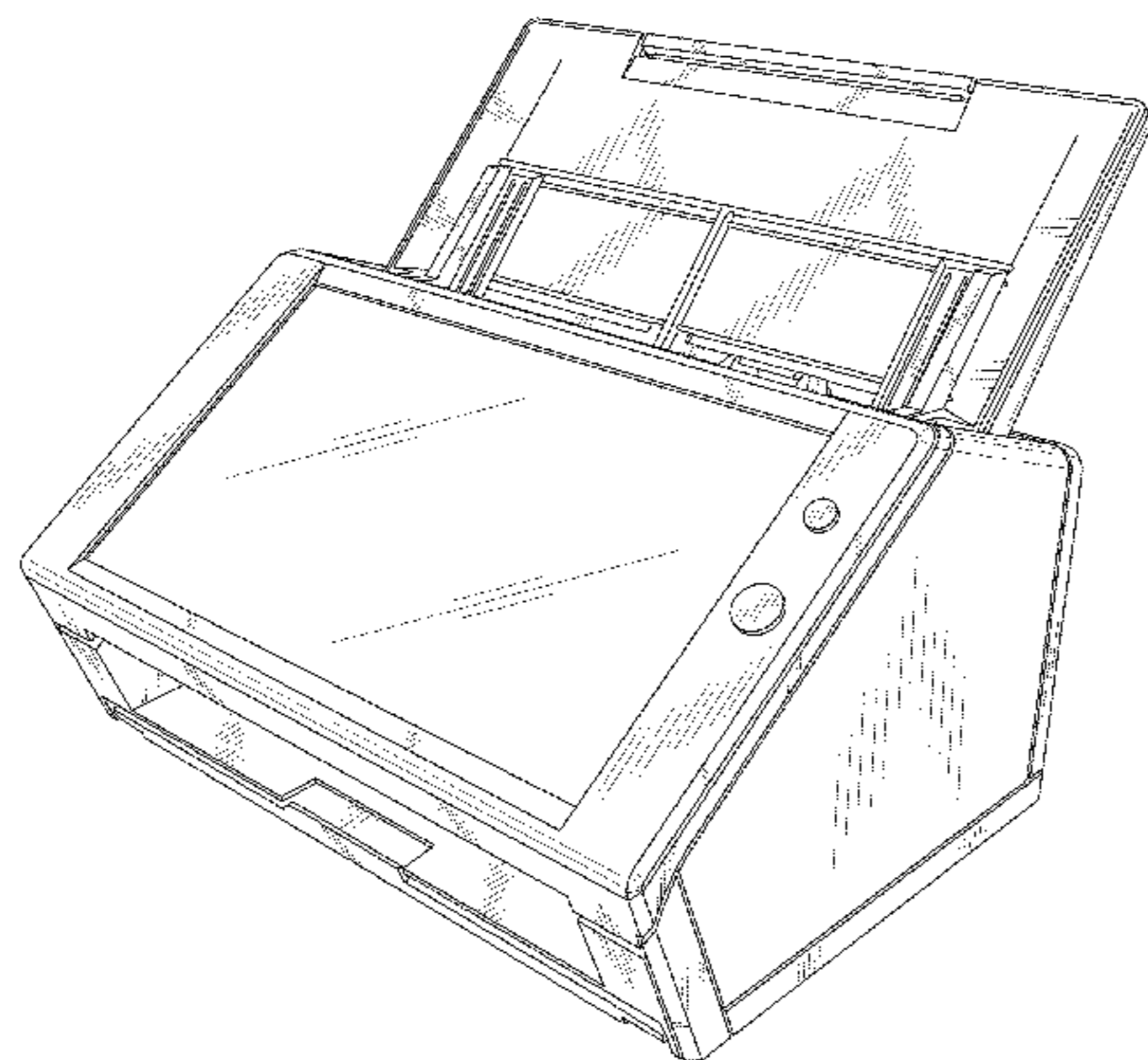
FIG. 6 is a top plan view thereof;

FIG. 7 is a bottom plan view thereof; and,

FIG. 8 is another front perspective view thereof showing the guides for both paper feed and catch trays in an extended condition.

Broken lines and unshaded portions contained within broken lines are not claimed.

1 Claim, 5 Drawing Sheets



(56)

References Cited

U.S. PATENT DOCUMENTS

D444,819 S *	7/2001	Kurz	D21/329	D700,908 S *	3/2014	Taniho	D14/422
D446,306 S *	8/2001	Ochi	D24/165	8,699,101 B2 *	4/2014	Mukai	H04N 1/00533 271/118
D456,020 S *	4/2002	Obata	D14/336	D713,845 S	9/2014	Taniho	
D573,596 S *	7/2008	Laidlaw	D14/422	D714,292 S *	9/2014	Romanoff	D14/422
D574,829 S *	8/2008	Shirai	D14/422	D716,305 S *	10/2014	Tani	D14/422
D583,060 S *	12/2008	Kitamura	D24/165	D719,168 S *	12/2014	Tani	D14/422
D610,147 S *	2/2010	Kuroda	D14/422	D723,562 S *	3/2015	Inada	D14/422
D610,148 S *	2/2010	Kuroda	D14/422	2003/0063337 A1 *	4/2003	Shirai	H04N 1/0062 358/498
D610,149 S *	2/2010	Kuroda	D14/422	2003/0081272 A1 *	5/2003	Chen	H04N 1/10 358/488
D610,150 S *	2/2010	Kuroda	D14/422	2007/0188818 A1 *	8/2007	Westcott	H04N 1/00525 358/296
D610,151 S *	2/2010	Kuroda	D14/422	2009/0230611 A1 *	9/2009	Ngai	H04N 1/00525 271/145
D612,276 S *	3/2010	Duffy	D10/81	2010/0053701 A1 *	3/2010	Yoshida	H04N 1/00525 358/474
D616,889 S *	6/2010	Kuroda	D14/422	2010/0060948 A1 *	3/2010	Yoshida	H04N 1/00519 358/474
D619,588 S *	7/2010	Kuroda	D14/422	2012/0019876 A1 *	1/2012	Murray	H04N 1/00522 358/474
D619,589 S *	7/2010	Kuroda	D14/422	2013/0056923 A1 *	3/2013	Kuriki	B65H 31/02 271/145
D625,304 S *	10/2010	Armstrong	D14/307	2013/0056924 A1 *	3/2013	Mizuno	B65H 9/06 271/162
D632,295 S *	2/2011	Kuroda	D14/422	2013/0163056 A1 *	6/2013	Hanayama	H04N 1/00013 358/474
D642,179 S	7/2011	Kuroda						
D668,259 S	10/2012	Taniho						
D668,668 S	10/2012	Taniho						
D669,080 S *	10/2012	Iwai	D14/422					
D669,081 S *	10/2012	Iwai	D14/422					
D669,089 S	10/2012	Taniho						
D669,526 S *	10/2012	Sakurai	D18/50					
D689,866 S *	9/2013	Anzai	D14/422					

* cited by examiner

FIG. 1

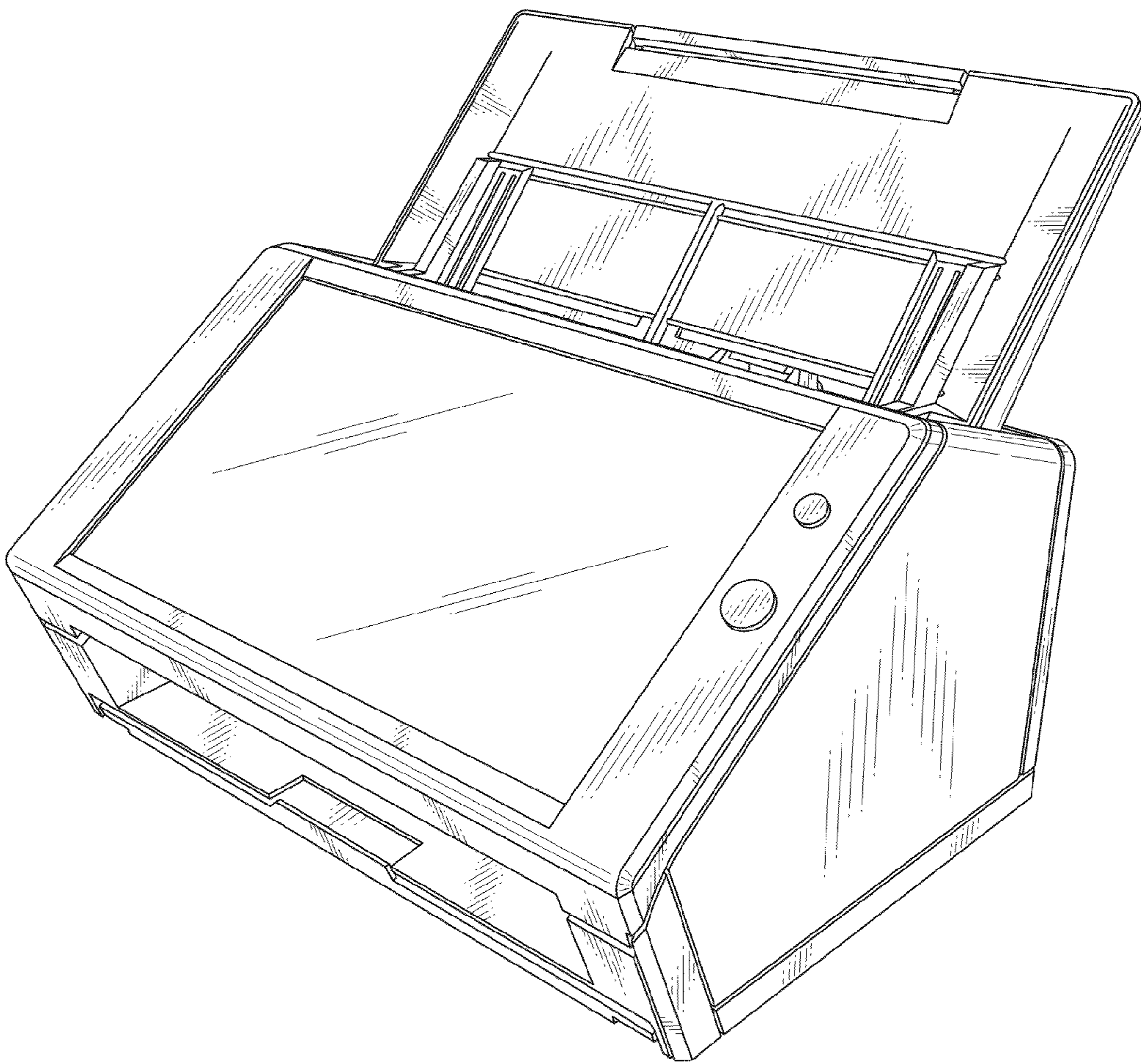


FIG. 2

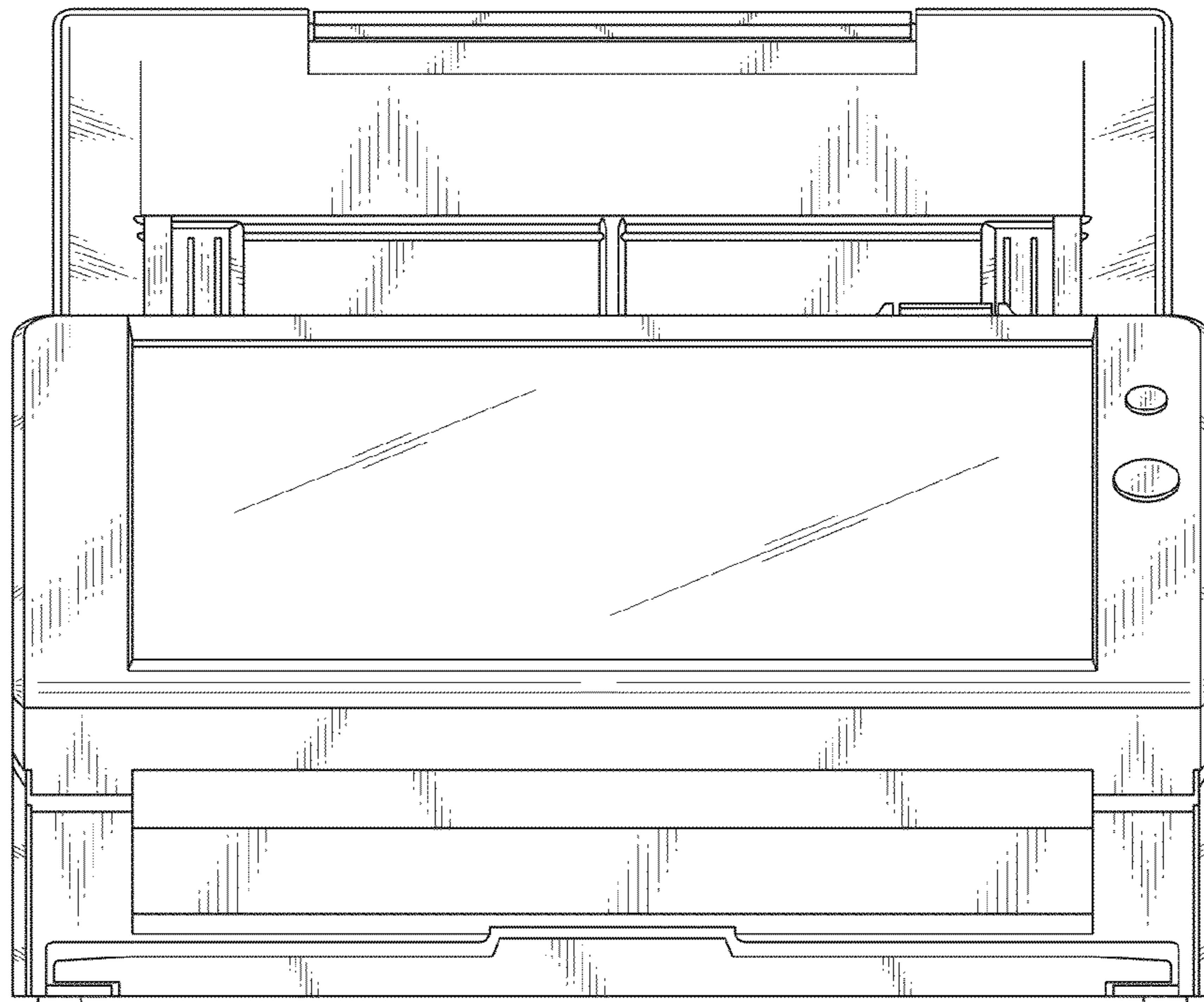


FIG. 3

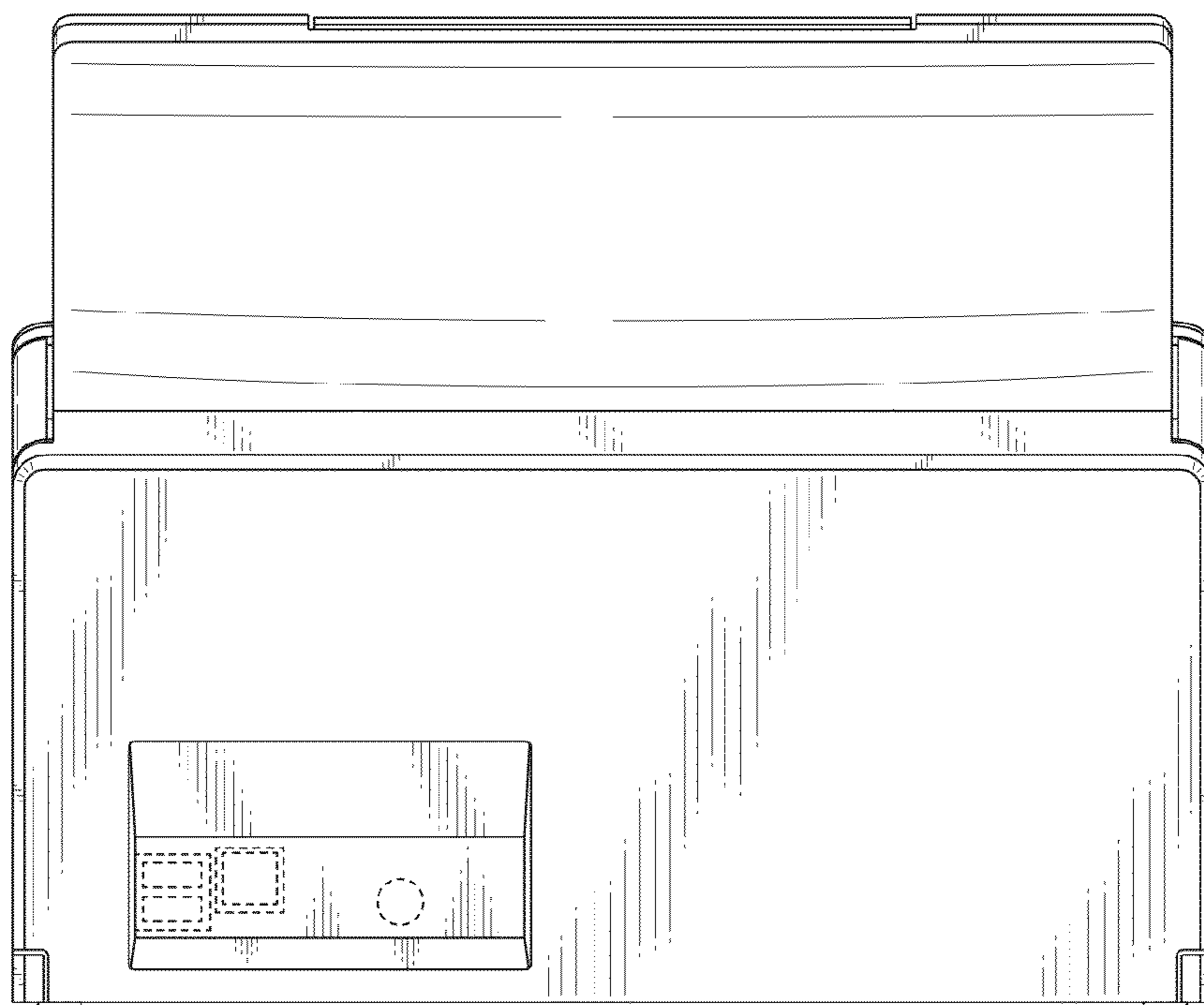


FIG. 4

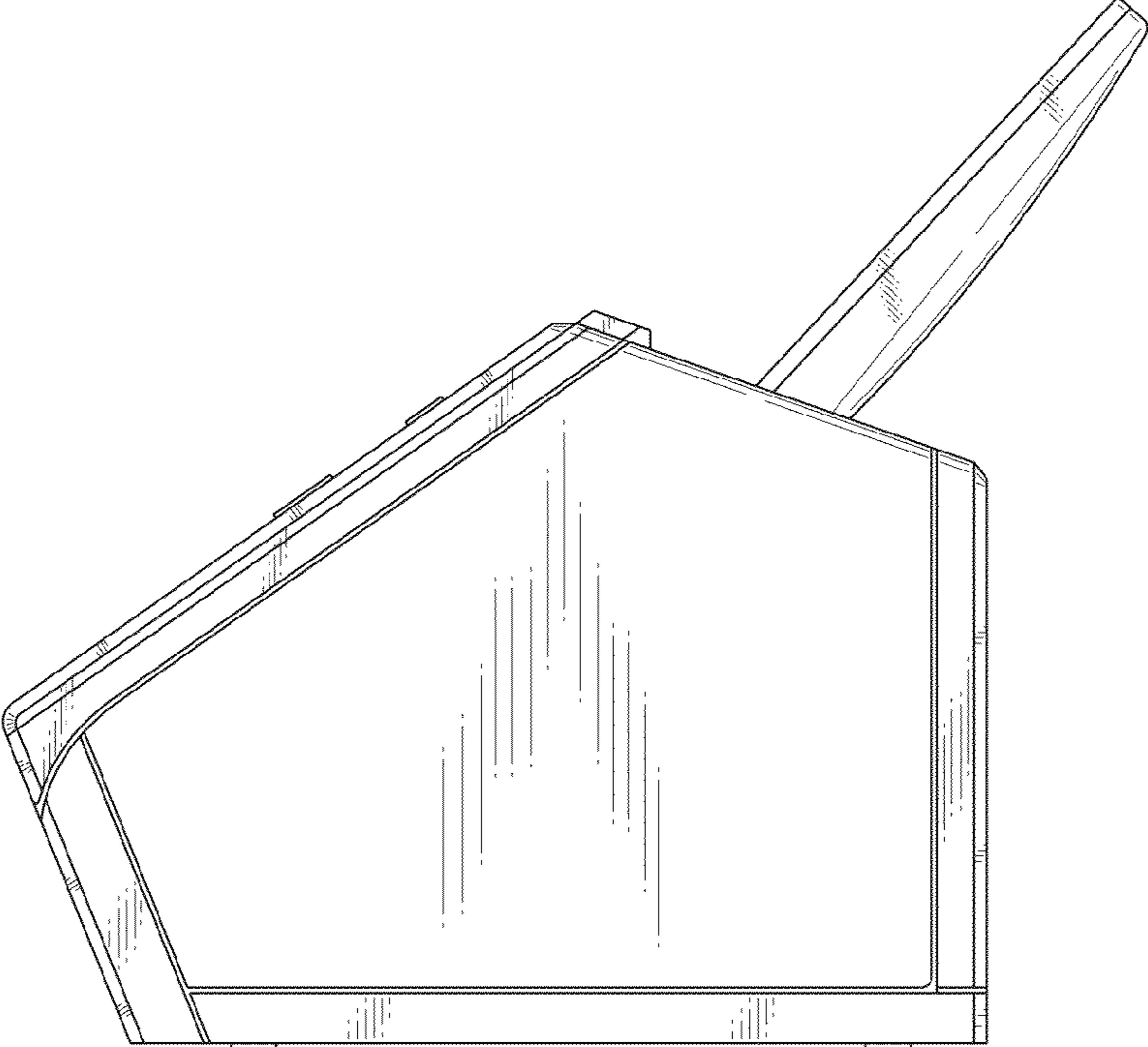


FIG. 5

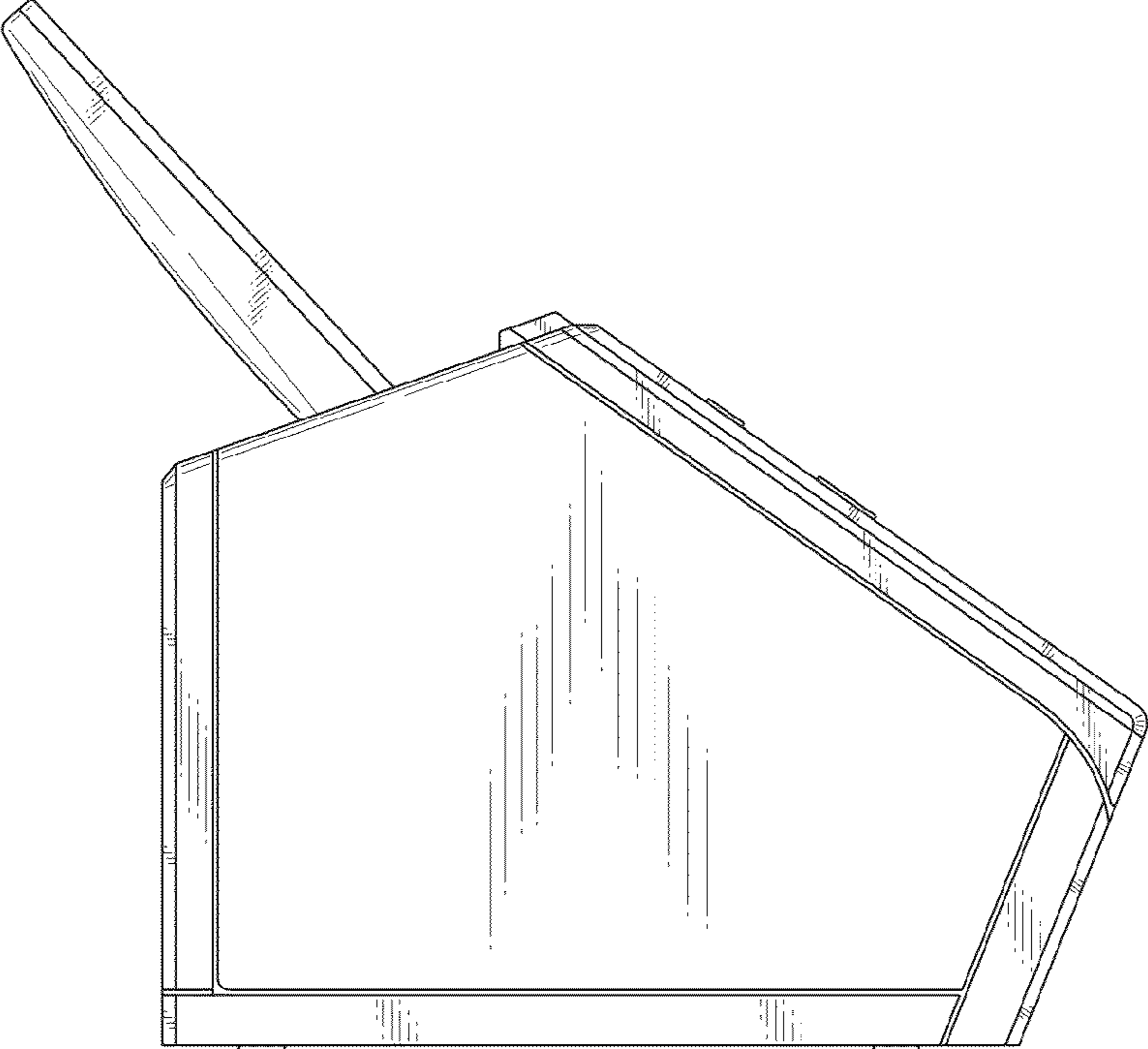


FIG. 6

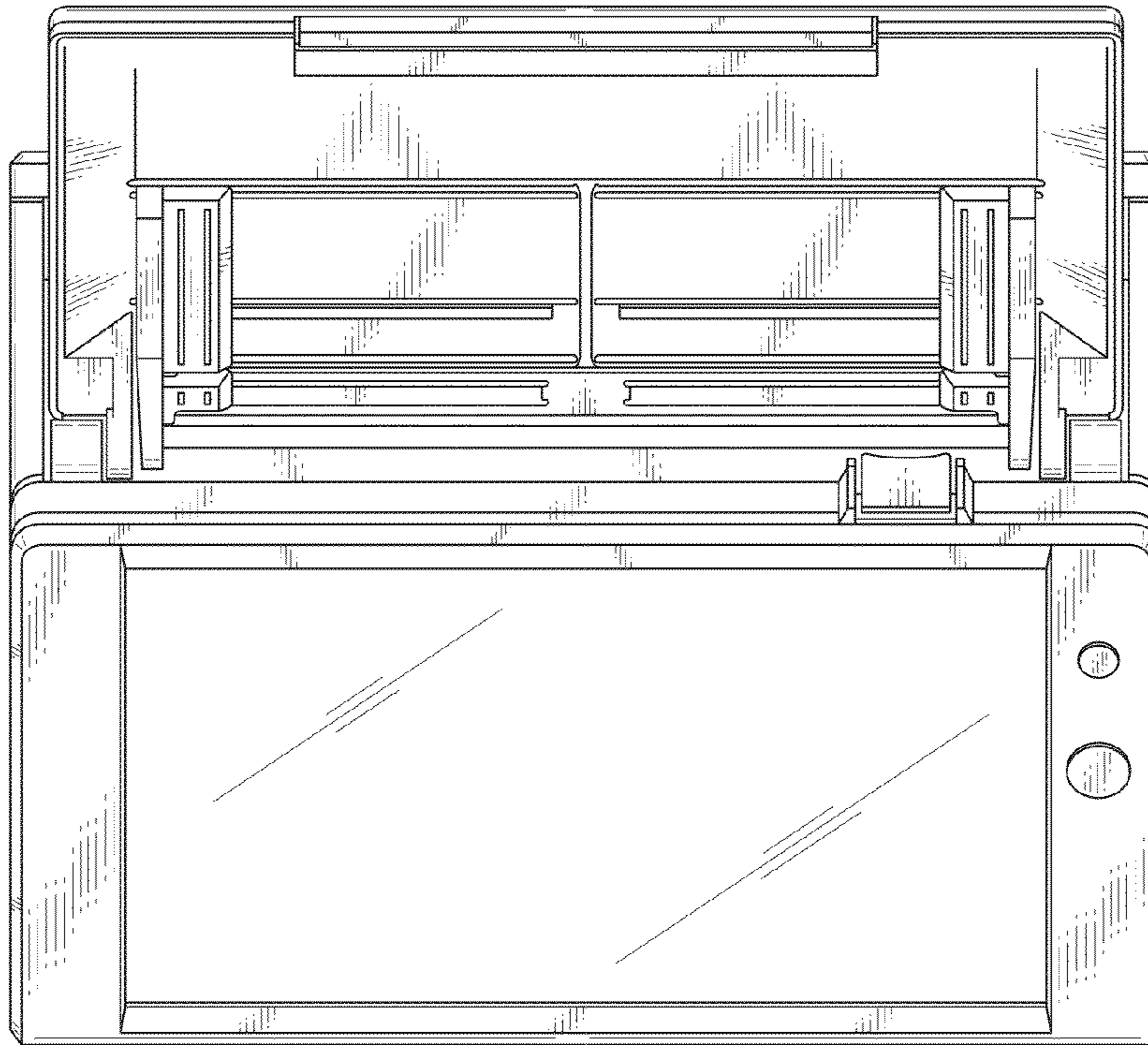


FIG. 7

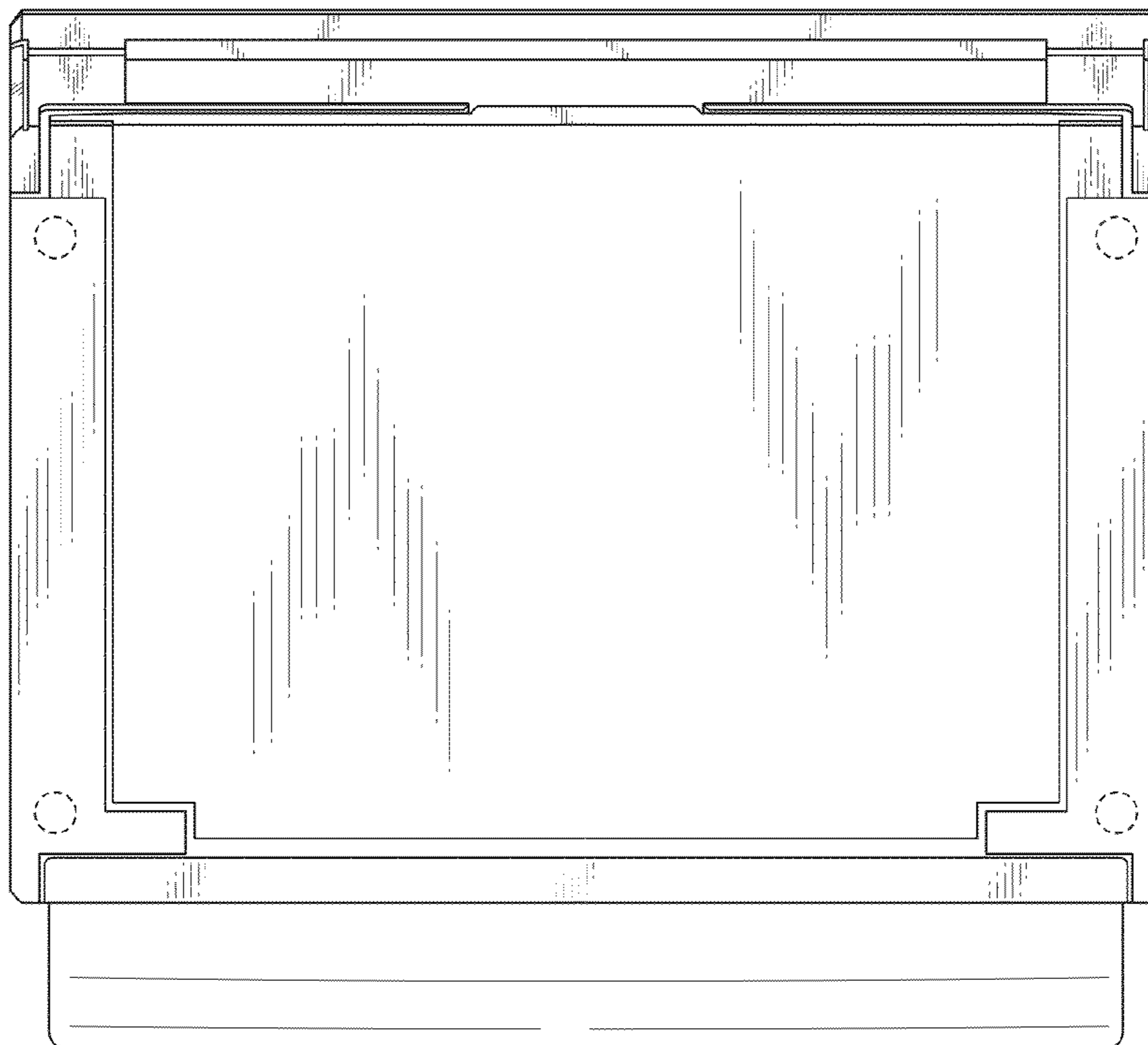


FIG. 8

