

US00D758365S

(12) **United States Design Patent**
Shimano et al.

(10) **Patent No.:** **US D758,365 S**
(45) **Date of Patent:** **** Jun. 7, 2016**

(54) **SIGNAL RELAY DEVICE**

(71) Applicant: **mitsubishi electric corporation**, Tokyo (JP)

(72) Inventors: **Hiroichiro Shimano**, Tokyo (JP);
Takayuki Miyazaki, Tokyo (JP)

(73) Assignee: **mitsubishi electric corporation**, Tokyo (JP)

(**) Term: **14 Years**

(21) Appl. No.: **29/502,625**

(22) Filed: **Sep. 18, 2014**

(30) **Foreign Application Priority Data**

May 13, 2014 (JP) 2014-010200

(51) **LOC (10) Cl.** **14-02**

(52) **U.S. Cl.**
USPC **D14/358**

(58) **Field of Classification Search**
USPC D14/300-302, 314, 348-370, 383-385,
D14/435, 496, 125, 135, 155, 240-242,
D14/299; D13/103, 119, 162, 184, 199,
D13/147, 158, 123; D10/65, 75, 78;
D9/432; D3/273
CPC H01R 4/32; H01R 4/60; H01R 4/36;
H01R 11/12; H01R 4/363; H01R 4/366;
H01R 4/301; G11B 33/027; G11B 33/122;
G11B 33/124; G11B 33/022; G11B 33/025
See application file for complete search history.

(56) **References Cited**

U.S. PATENT DOCUMENTS

- D222,471 S * 10/1971 Shebanow et al. D14/385
- D256,016 S * 7/1980 Iwata D14/155
- D304,178 S * 10/1989 Cranston, III D14/367
- D309,734 S * 8/1990 Mackin D14/162

- D311,723 S * 10/1990 Eggleston D13/162
- D336,302 S * 6/1993 Kwang D14/140.4
- D360,631 S * 7/1995 Uskali D14/137
- D395,897 S * 7/1998 Honma D13/184
- D405,054 S * 2/1999 Takahashi D13/152
- D459,724 S * 7/2002 Goto D14/357
- D520,960 S * 5/2006 Nagai D13/158
- D571,742 S * 6/2008 Shimizu D14/125
- D585,838 S * 2/2009 Tiedemann D13/147
- D605,143 S * 12/2009 Von Arx D13/123
- D633,445 S * 3/2011 Christiansen D13/147
- 2015/0126249 A1 * 5/2015 Muraoka H04B 7/155
455/558

* cited by examiner

Primary Examiner — Rosemary K Tarcza

Assistant Examiner — Nathaniel D Buckner

(74) *Attorney, Agent, or Firm* — Studebaker & Brackett PC

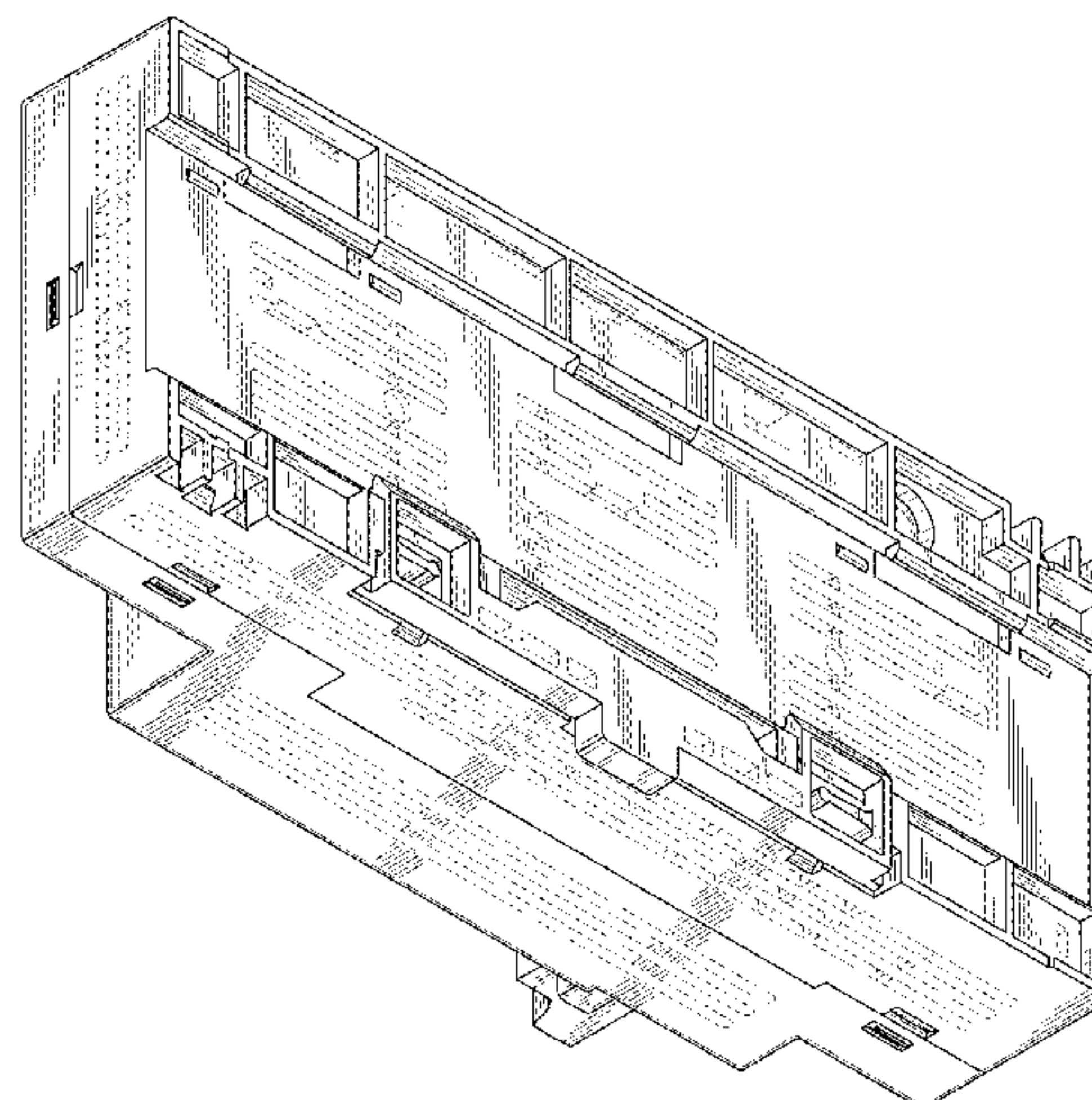
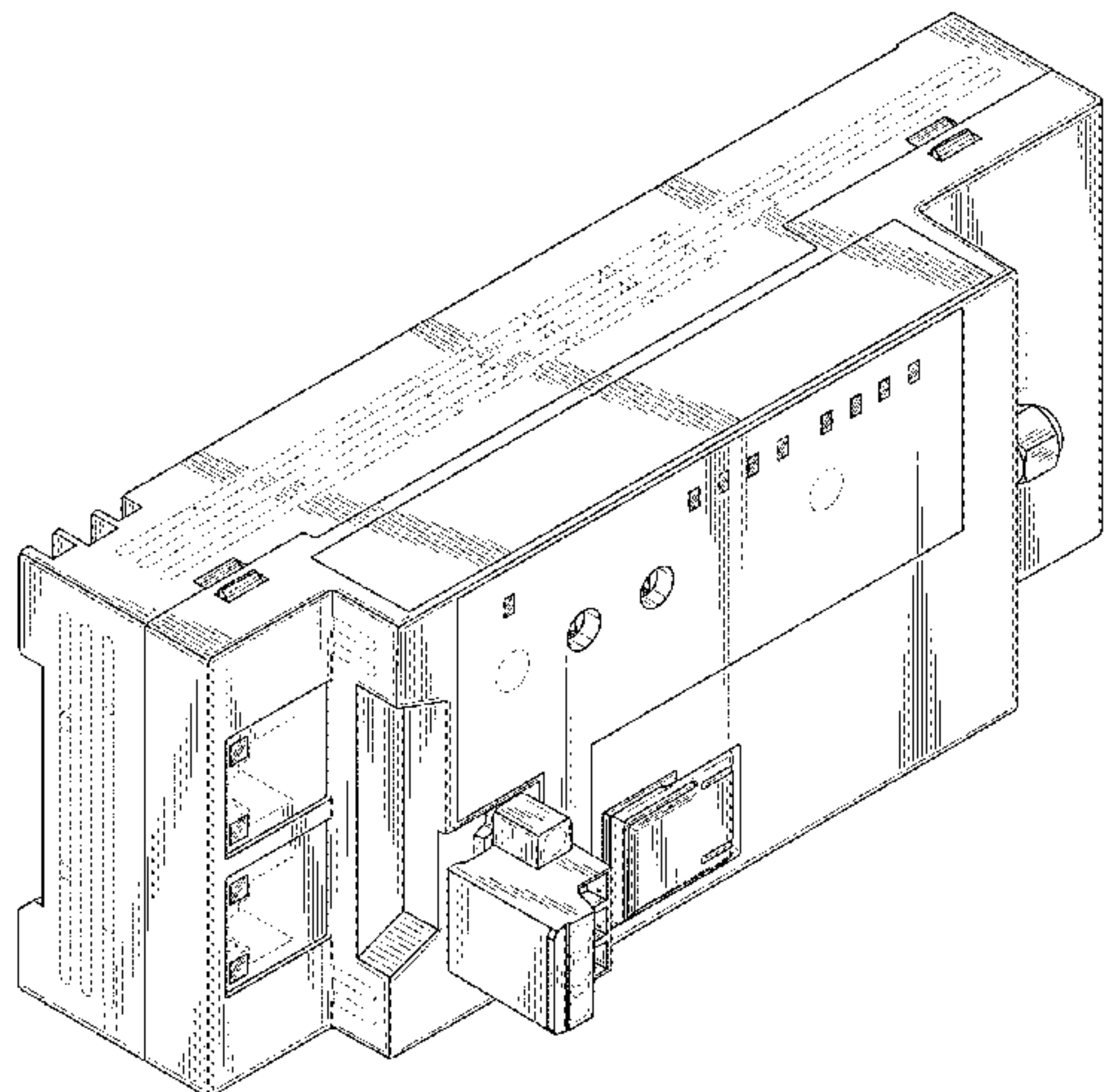
(57) **CLAIM**

The ornamental design for a signal relay device, as shown and described.

DESCRIPTION

FIG. 1 is a perspective view of the front, left and top sides of a signal relay device showing our new design;
 FIG. 2 is a perspective view of the rear, right, and bottom sides thereof;
 FIG. 3 is a front view thereof;
 FIG. 4 is a rear view thereof;
 FIG. 5 is a left side view thereof;
 FIG. 6 is a right side view thereof;
 FIG. 7 is a top view thereof;
 FIG. 8 is a bottom view thereof;
 FIG. 9 is a perspective view thereof, showing a state of use; and,
 FIG. 10 is another perspective view thereof, showing another state of use.
 The broken lines shown represent unclaimed subject matter of signal relay device and form no part of the claimed design.

1 Claim, 10 Drawing Sheets



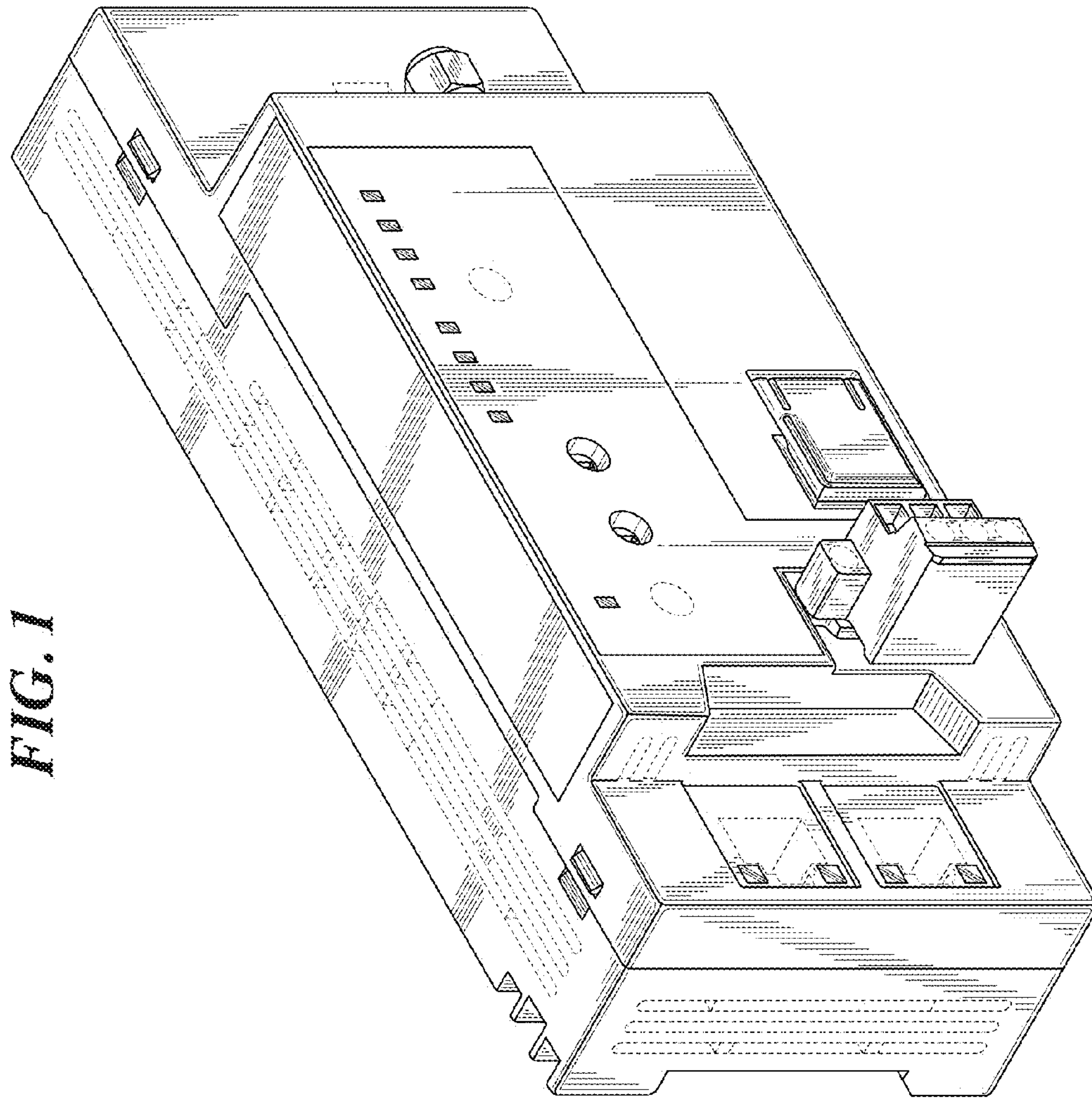


FIG. 1

FIG. 2

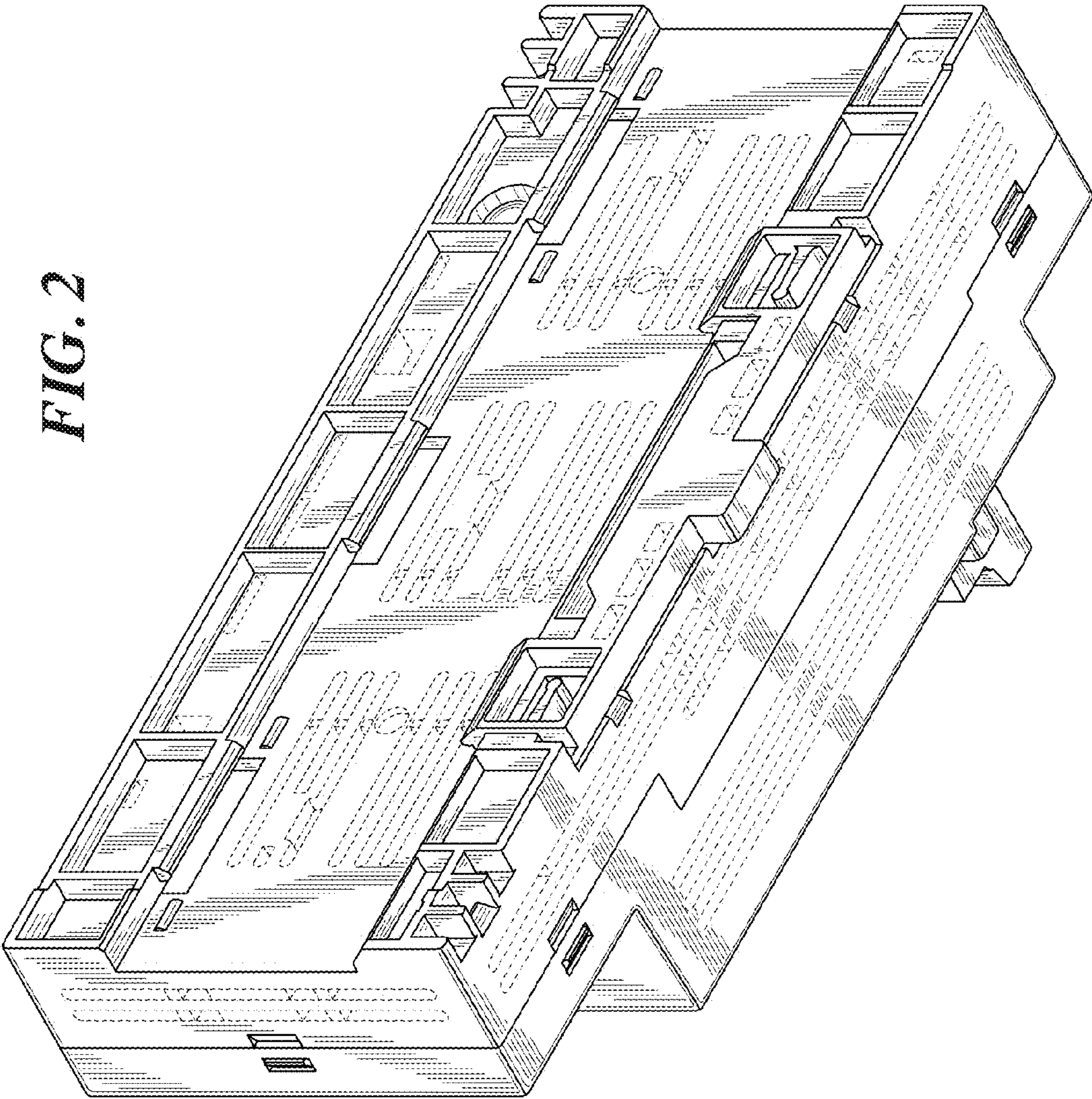


FIG. 3

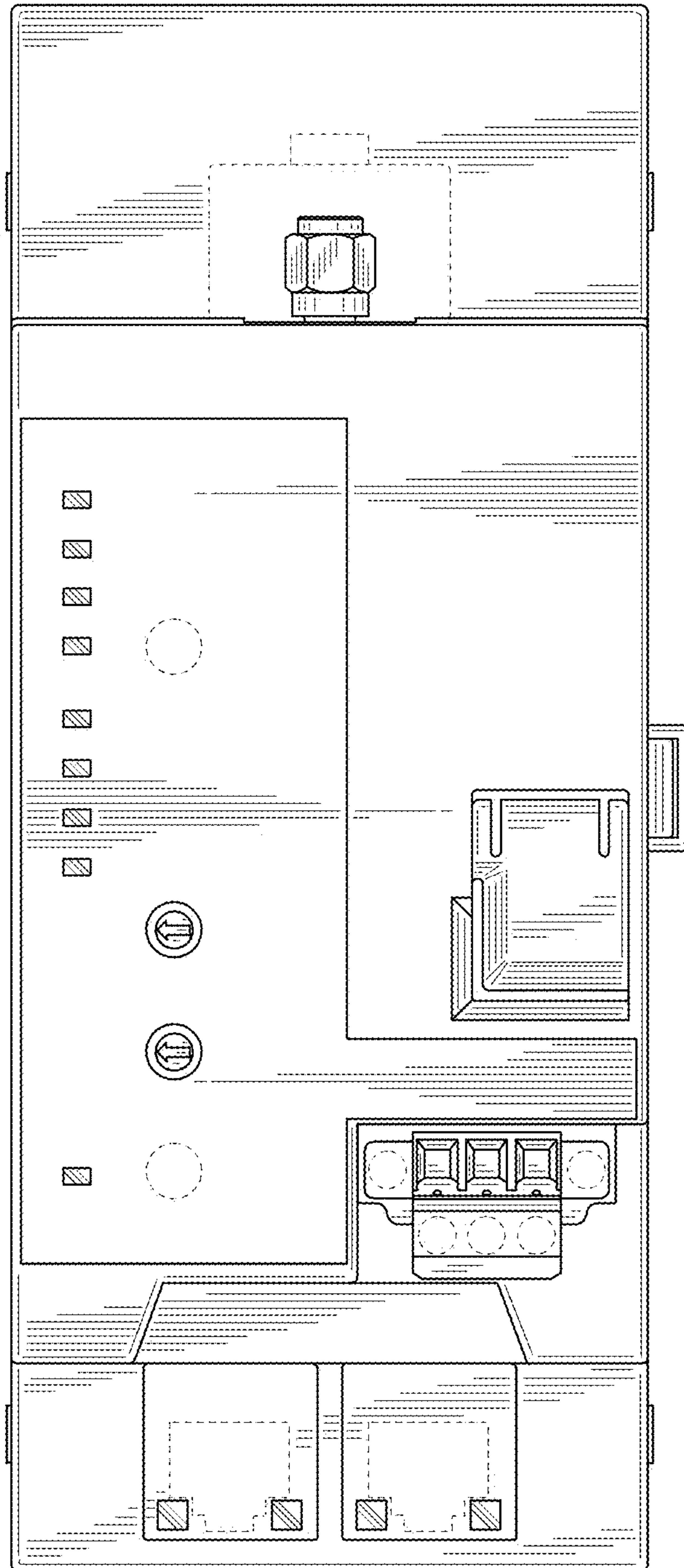


FIG. 4

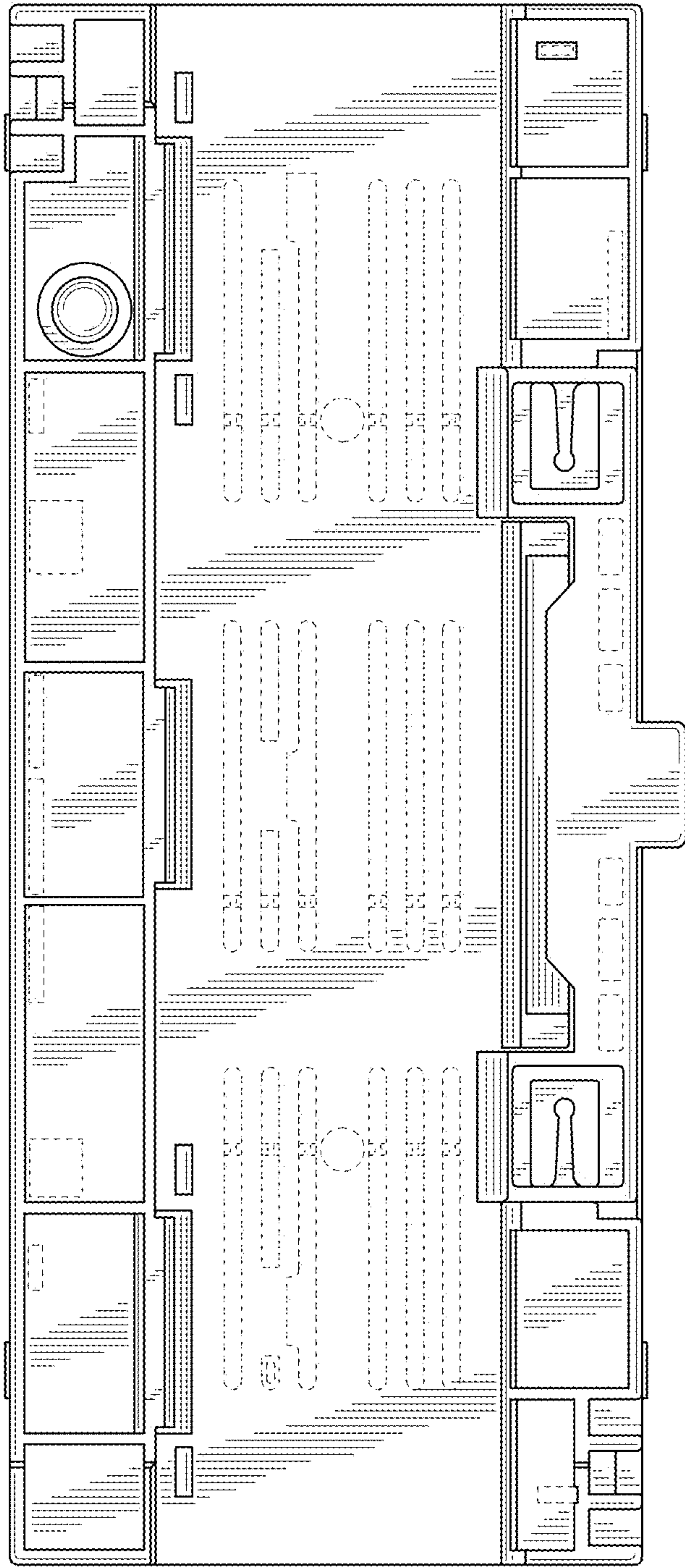


FIG. 5

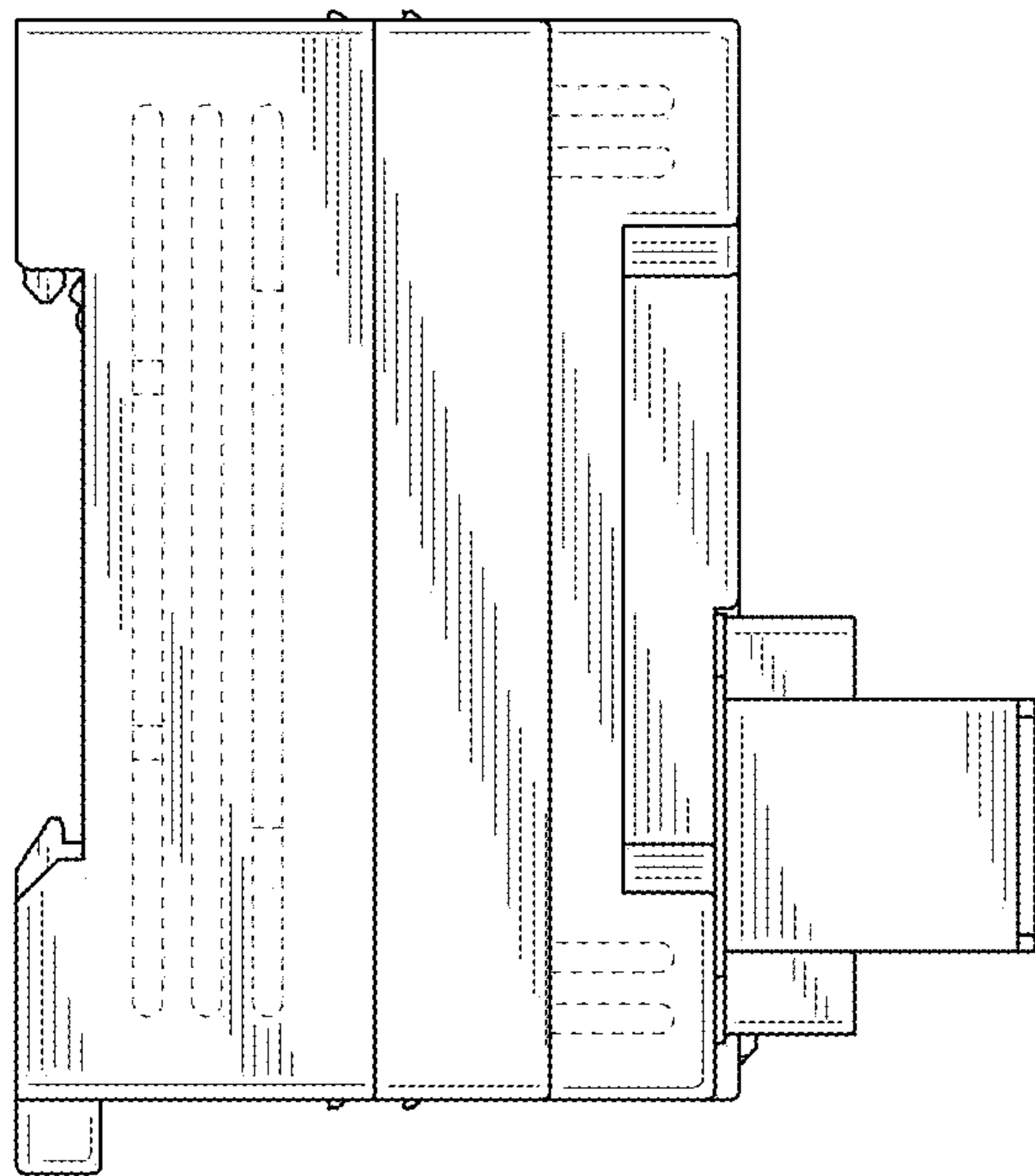


FIG. 6

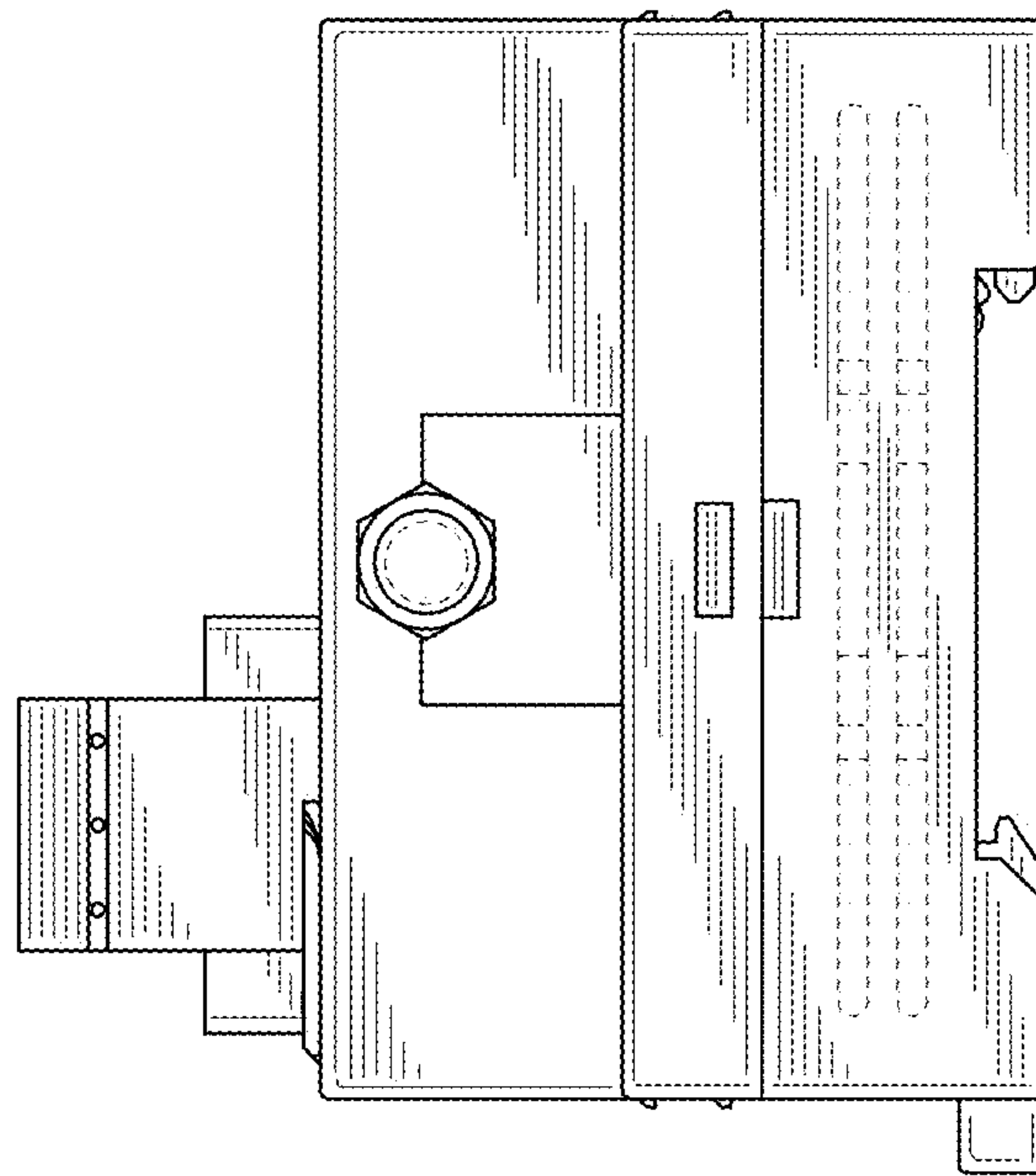


FIG. 7

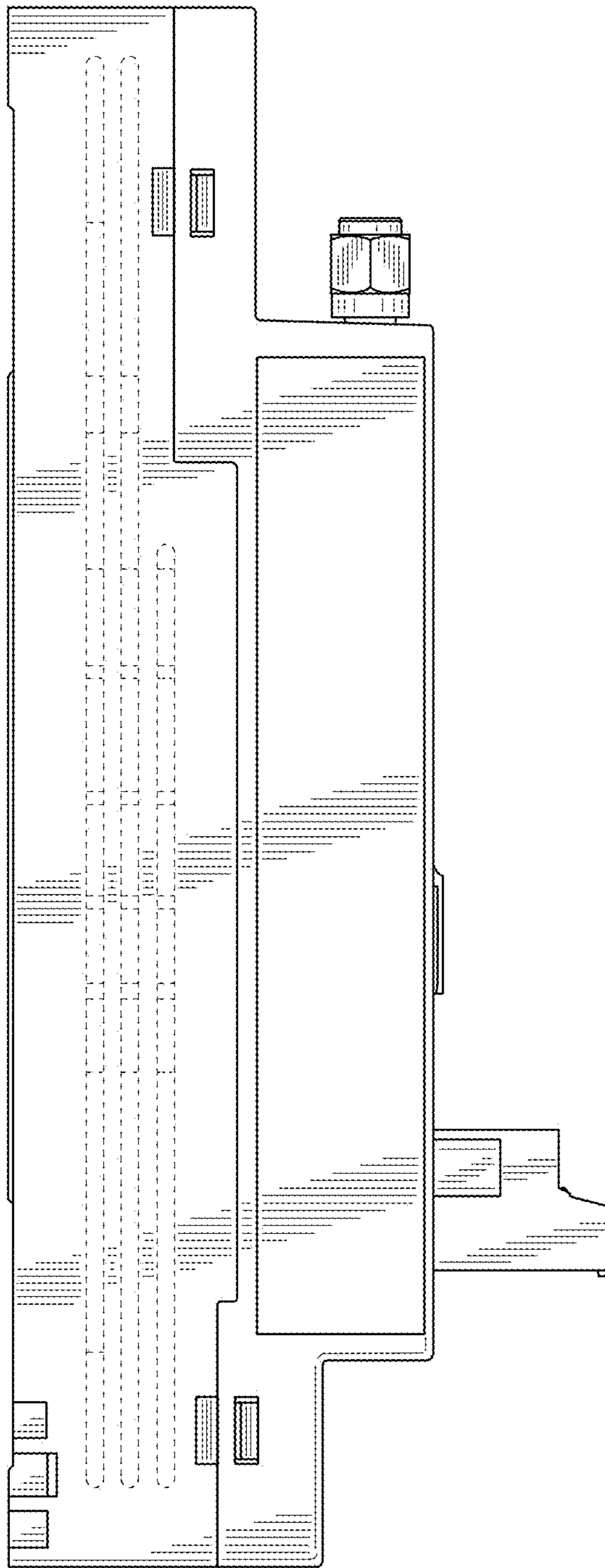
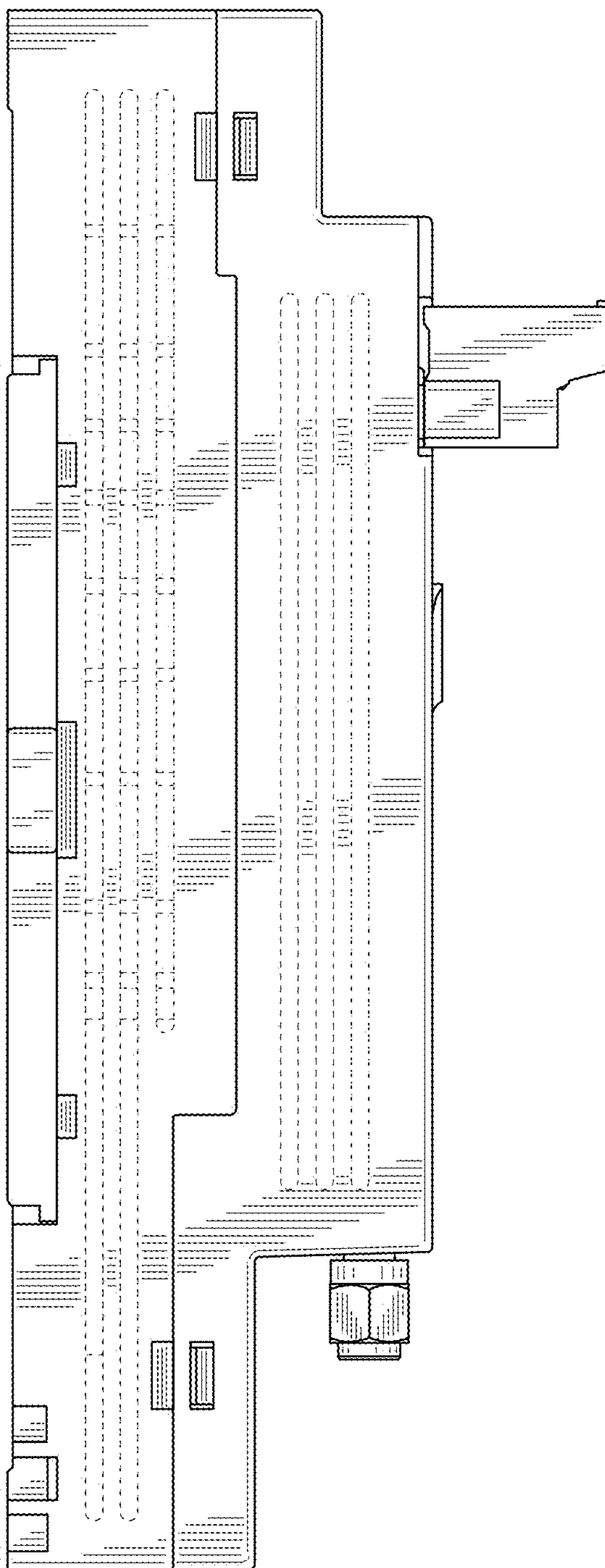


FIG. 8



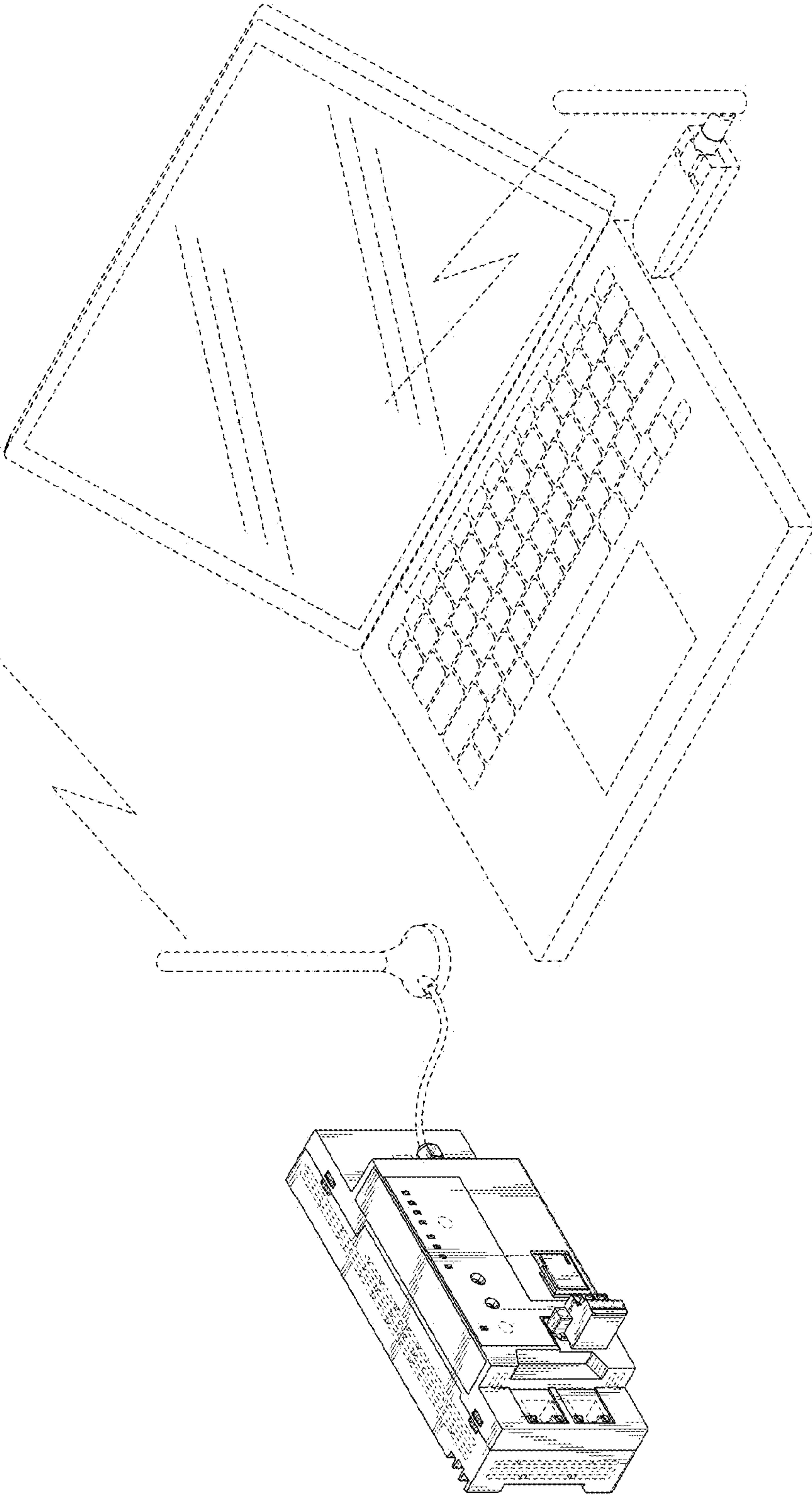


FIG. 9

FIG. 10

