



US00D758354S

(12) **United States Design Patent**  
**Jang et al.**

(10) **Patent No.:** **US D758,354 S**

(45) **Date of Patent:** **\*\* Jun. 7, 2016**

(54) **AUDIO SYSTEM**

(71) Applicant: **Bose Corporation**, Framingham, MA (US)

(72) Inventors: **Stuart Raymond Jang**, Sudbury, MA (US); **David H. Pitcher**, Worcester, MA (US); **Jay Pupecki**, Worcester, MA (US); **Seth N. Green**, Newton, MA (US)

(73) Assignee: **Bose Corporation**, Framingham, MA (US)

(\*\*) Term: **15 Years**

(21) Appl. No.: **29/541,124**

(22) Filed: **Sep. 30, 2015**

**Related U.S. Application Data**

(60) Division of application No. 29/469,208, filed on Oct. 8, 2013, now Pat. No. Des. 740,787, which is a continuation-in-part of application No. 13/833,394, filed on Mar. 15, 2013.

(51) **LOC (10) Cl.** ..... **14-03**

(52) **U.S. Cl.**  
USPC ..... **D14/221**; D14/218; D14/214

(58) **Field of Classification Search**  
USPC ..... D14/168, 170–172, 188, 194–196, 204, D14/207, 210–216, 219, 221, 222, 224, 496, D14/218; 181/143, 144, 147, 148, 150, 153, 181/157, 198, 199; 381/300–303, 306, 332, 381/333, 336, 345, 361–364, 386–388  
CPC .... B60R 11/0217; G06F 1/1688; H04M 1/03; H04M 1/035; H04R 1/02; H04R 1/06; H04R 1/021; H04R 1/025; H04R 1/026; H04R

1/028; H04R 1/105; H04R 1/323; H04R 1/403; H04R 1/2803; H04R 1/2834; H04R 5/02; H04R 7/20; H04R 9/06; H04R 9/025; H04R 2201/021; H04R 2400/00; H04R 2400/07; H04R 2499/11; H04R 2499/13; H04R 2499/15; H04S 3/00; H04S 7/30

See application file for complete search history.

(56) **References Cited**

U.S. PATENT DOCUMENTS

3,143,182 A *	8/1964	Sears .....	H04R 1/2811 181/153
D449,590 S *	10/2001	Lewis .....	D14/188
D514,545 S *	2/2006	Watanabe .....	D14/499
D531,990 S *	11/2006	Kobayashi .....	D14/167
D574,849 S *	8/2008	Chen .....	D14/496

(Continued)

*Primary Examiner* — Keli L Hill

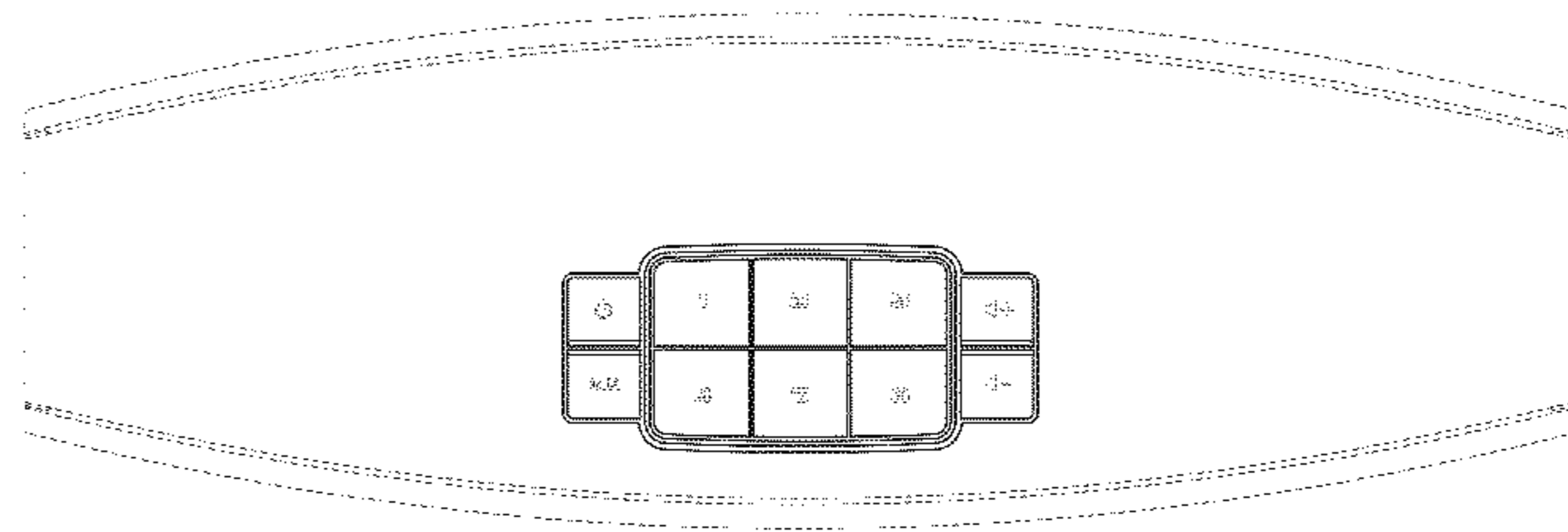
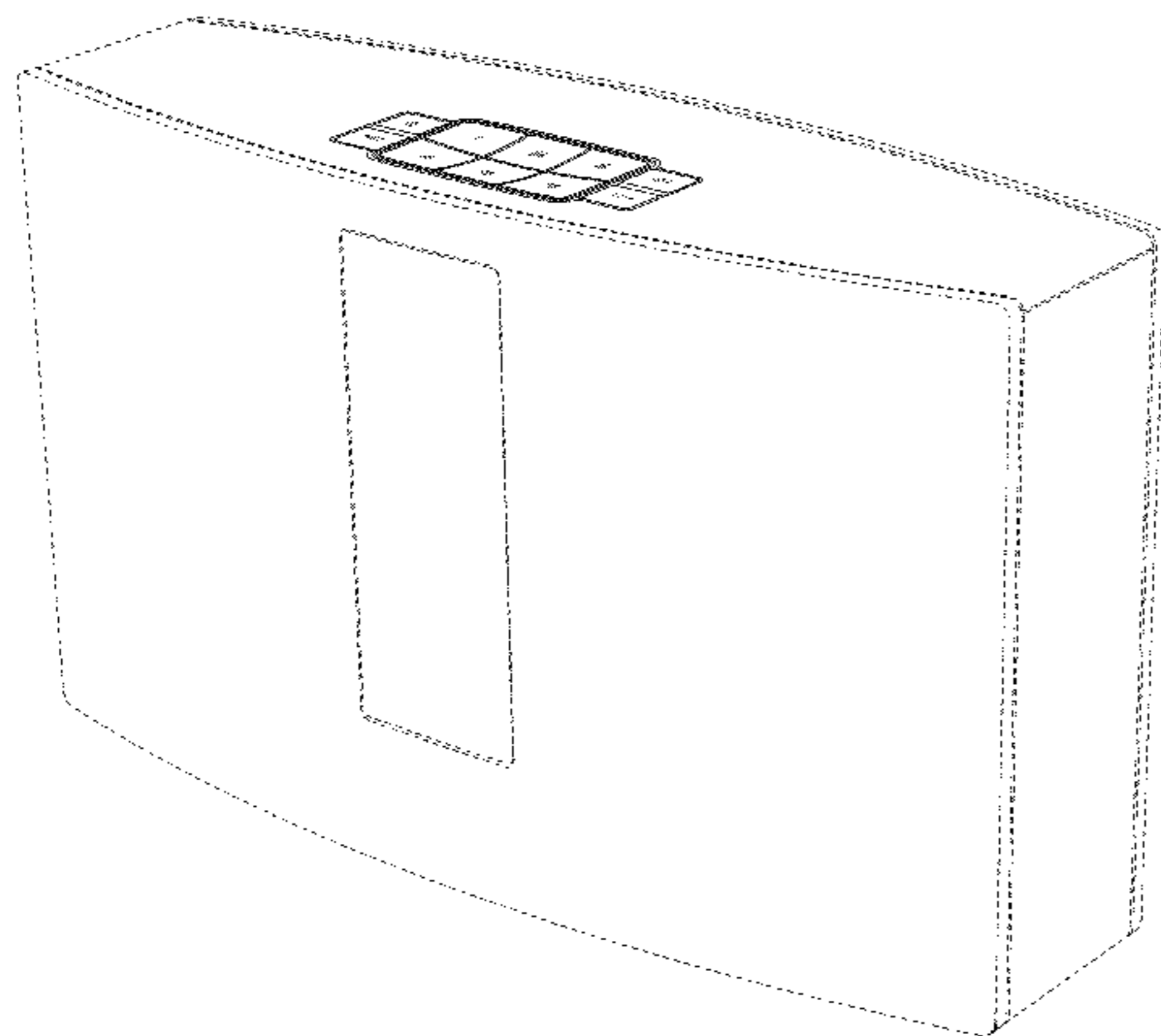
(57) **CLAIM**

The ornamental design for an audio system, substantially as shown and described.

**DESCRIPTION**

FIG. 1 is a perspective view of an audio system as seen from the front, top and right side;  
FIG. 2 is a perspective view thereof as seen from the back, top and left side; and,  
FIG. 3 is a top view thereof.  
The dotted line portions of the drawings represent environmental structure only and form no part of the claimed design. The broken line showing of numbers, words, and symbols forms no part of the claimed design.

**1 Claim, 3 Drawing Sheets**



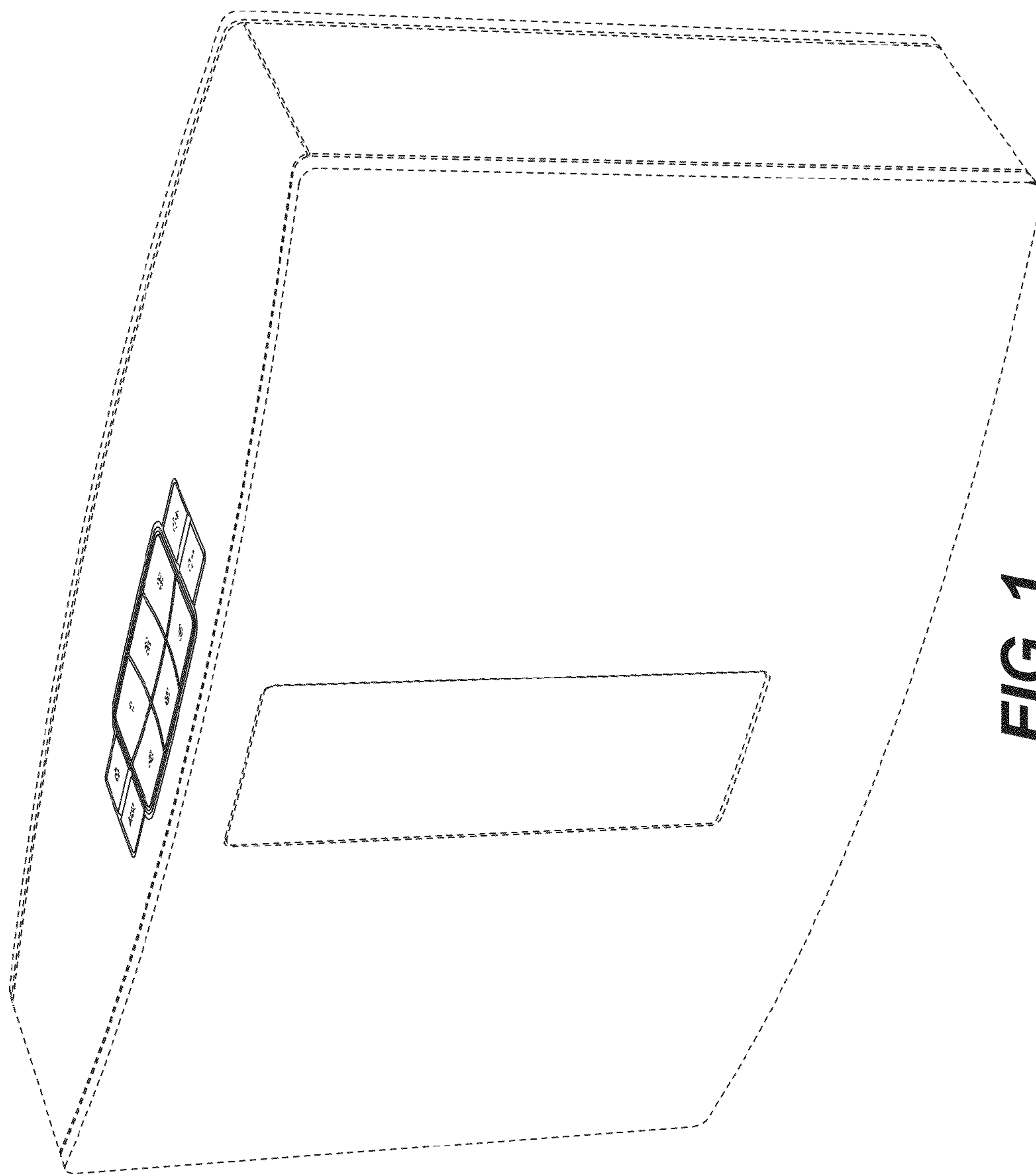
(56)

References Cited

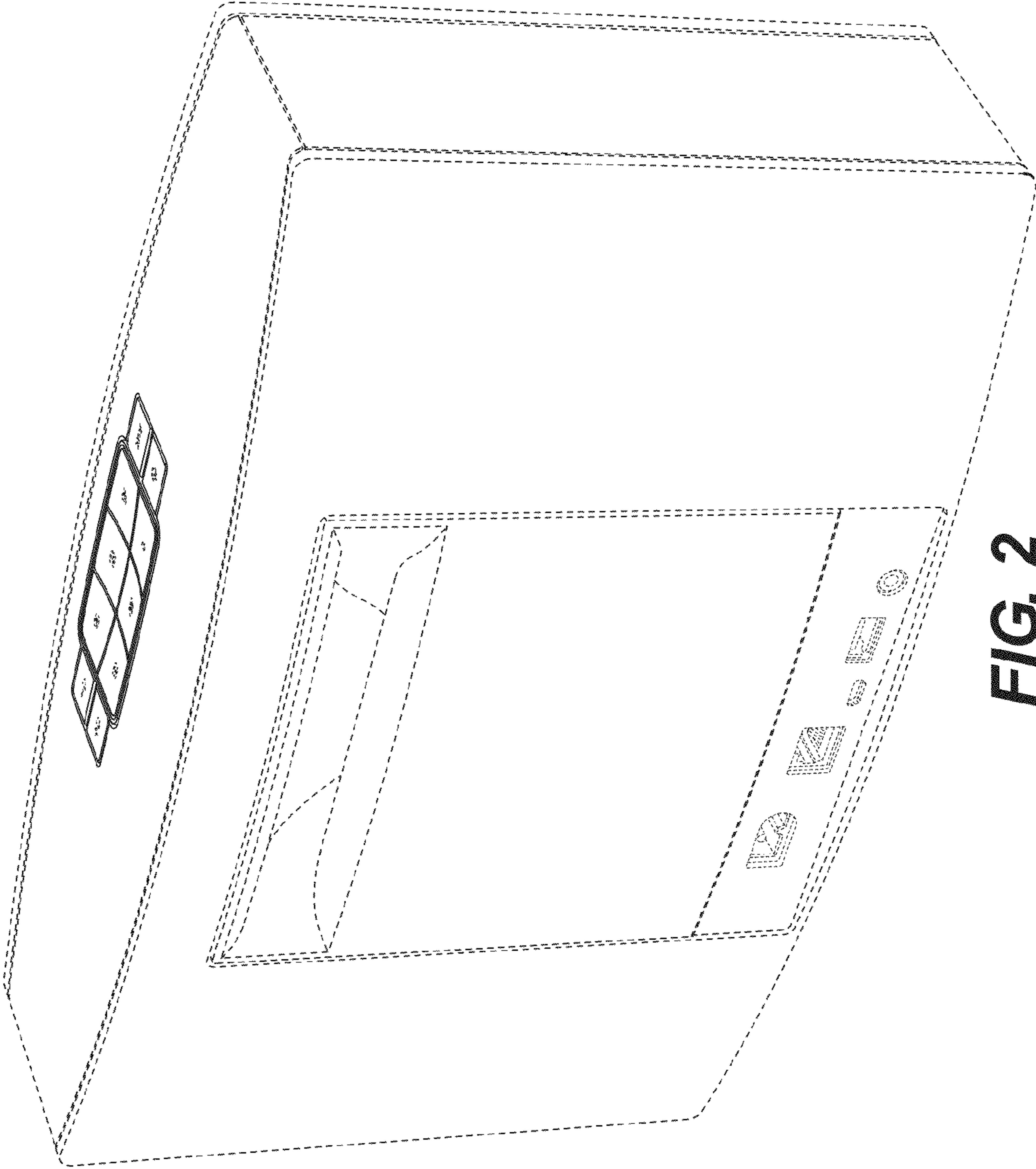
U.S. PATENT DOCUMENTS

D576,148 S *	9/2008	Lee, Jr. ....	D14/188	8,688,431 B2 *	4/2014	Lyons .....	G06F 3/162 703/21
D586,784 S *	2/2009	Sanguinetti .....	D14/214	D720,334 S *	12/2014	Wang .....	D14/204
D589,502 S *	3/2009	Miyata .....	D14/247	2008/0089547 A1 *	4/2008	Young .....	G11B 33/124 381/386
D590,819 S *	4/2009	Sakamoto .....	D14/247	2014/0277639 A1 *	9/2014	Gomes-Casseres ....	G06F 17/00 700/94
D603,368 S *	11/2009	Jang .....	D14/194	2014/0277651 A1 *	9/2014	Gomes- Casseres .....	G06F 17/3074 700/94
D613,269 S *	4/2010	Masui .....	D14/217				
D620,924 S *	8/2010	Masui .....	D14/217				
D633,474 S *	3/2011	Ohashi .....	D14/168				
D663,288 S *	7/2012	Aquillano .....	D14/218				

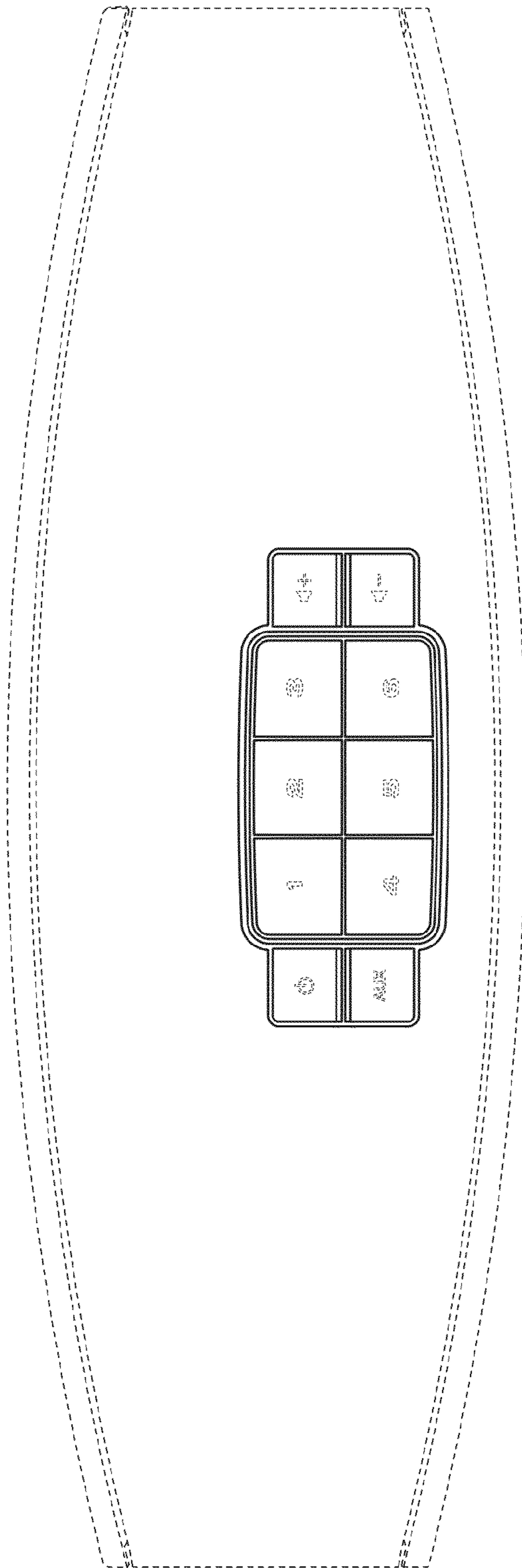
\* cited by examiner



**FIG. 1**



**FIG. 2**



**FIG. 3**