



US00D758351S

(12) **United States Design Patent**
Zanders

(10) **Patent No.:** **US D758,351 S**
(45) **Date of Patent:** **** Jun. 7, 2016**

(54) **AUDIO/VISUAL EQUIPMENT STAND**

(71) Applicant: **Paul Zanders**, Sutton (GB)

(72) Inventor: **Paul Zanders**, Sutton (GB)

(**) Term: **14 Years**

(21) Appl. No.: **29/511,504**

(22) Filed: **Dec. 11, 2014**

(30) **Foreign Application Priority Data**

Jun. 13, 2014 (EM) 002482331-0001

(51) **LOC (10) Cl.** **14-03**

(52) **U.S. Cl.**
USPC **D14/217**

(58) **Field of Classification Search**
USPC D17/9, 13, 299; D14/217, 251, 299,
D14/432, 451, 452
CPC F16M 11/10; F16M 13/00; F16M 11/041;
F16M 13/02; F16M 13/022; F16M 11/2021;
F16M 2200/044; F16M 11/24; F16M 2200/08;
F16M 11/2014; F16M 11/105; F16M 11/2092;
F16M 11/22; F16M 11/04; F16M 11/00;
F16M 11/38; G06F 1/1601; G06F 1/1616;
G06F 1/1681; G06F 1/1626; G06F 1/16;
G06F 1/1607; G06F 1/162; G06F 1/1637;
G06F 1/1656; G06F 1/166; G06F 1/1613;
G06F 1/1624; G06F 1/1643; G06F 1/1662;
G06F 1/1679; G06F 1/20; H04M 1/04;
H04M 1/0235; H04M 1/0252; H04M 1/026;
H04M 1/0266; H04M 1/0277; H04M 1/18;
H04M 1/185; H04M 1/21; H04M 1/72575
See application file for complete search history.

(56) **References Cited**

U.S. PATENT DOCUMENTS

4,098,478 A 7/1978 Spitzke
D255,459 S * 6/1980 Corder D17/10

D264,852 S * 6/1982 Schoenig D17/9
D462,359 S * 9/2002 Scharer D14/451
D677,263 S * 3/2013 Luijben D14/451
D729,815 S * 5/2015 Anderson D14/452
D743,969 S * 11/2015 Kulkarni D14/452
D751,565 S * 3/2016 Gross D14/451

OTHER PUBLICATIONS

British Search Report dated Apr. 16, 2014 for corresponding British Application No. 1320943.2, 3 pages.

* cited by examiner

Primary Examiner — Daniel Bui

Assistant Examiner — Khawaja Anwar

(74) *Attorney, Agent, or Firm* — Leanne Taveggia Farrell;
Westman, Champlin & Koehler, P.A.

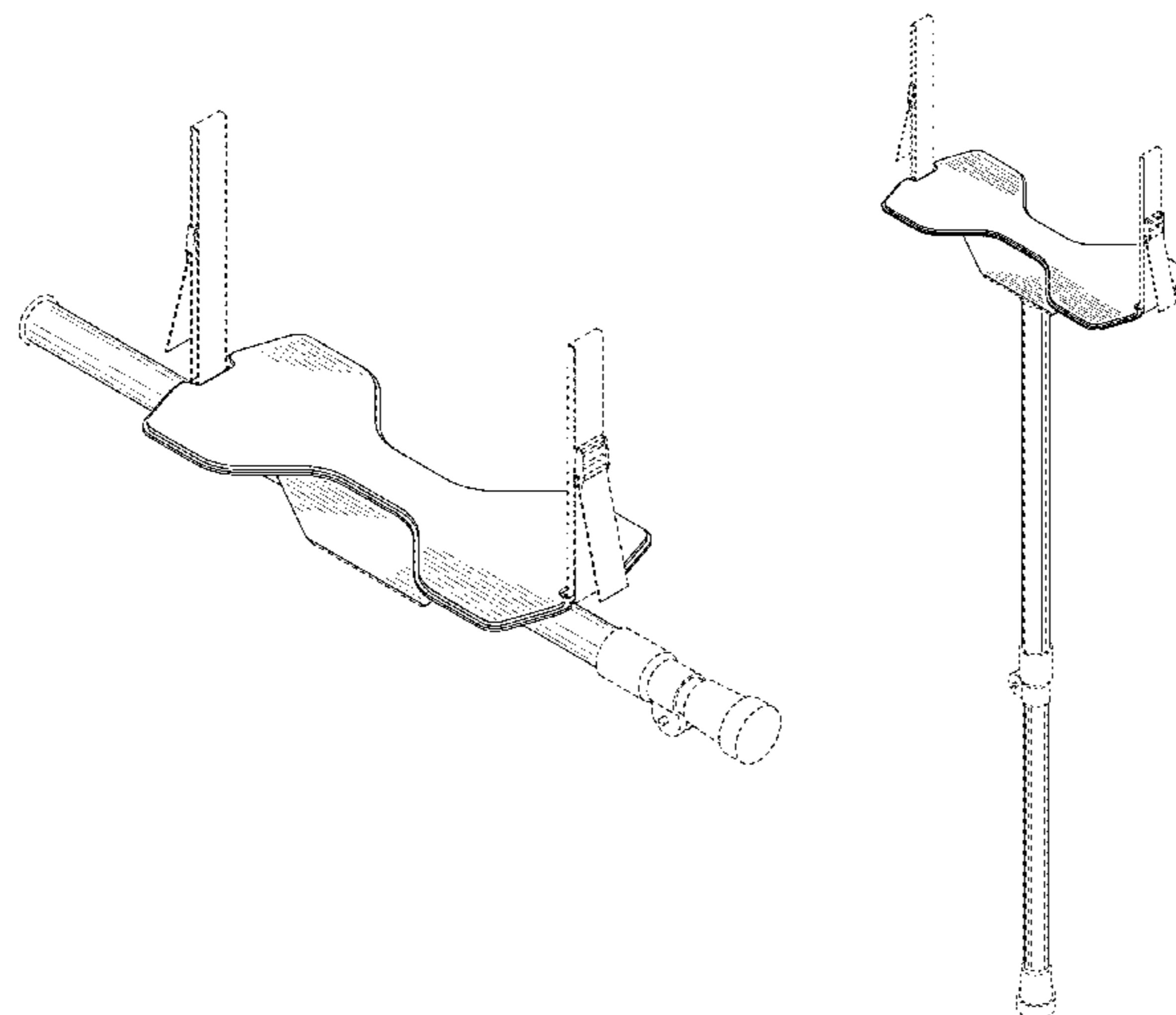
(57) **CLAIM**

The ornamental design for an audio/visual equipment stand, as shown and described.

DESCRIPTION

FIG. 1 is a perspective view of an audio/visual equipment stand, showing my new design;
FIG. 2 is a front elevation view thereof;
FIG. 3 is a back elevation view thereof;
FIG. 4 is a right side elevation view thereof;
FIG. 5 is a left side elevation view thereof;
FIG. 6 is a top plan view thereof;
FIG. 7 is a bottom plan view thereof;
FIG. 8 is a perspective view thereof, in use and extended condition;
FIG. 9 is a front elevation view thereof;
FIG. 10 is a back elevation view thereof;
FIG. 11 is a top plan view thereof;
FIG. 12 is a bottom plan view thereof;
FIG. 13 is a right side elevation view thereof; and,
FIG. 14 is a left side elevation view thereof.
The broken lines in the figure drawings represent unclaimed environment and form no part of the claimed design.

1 Claim, 8 Drawing Sheets



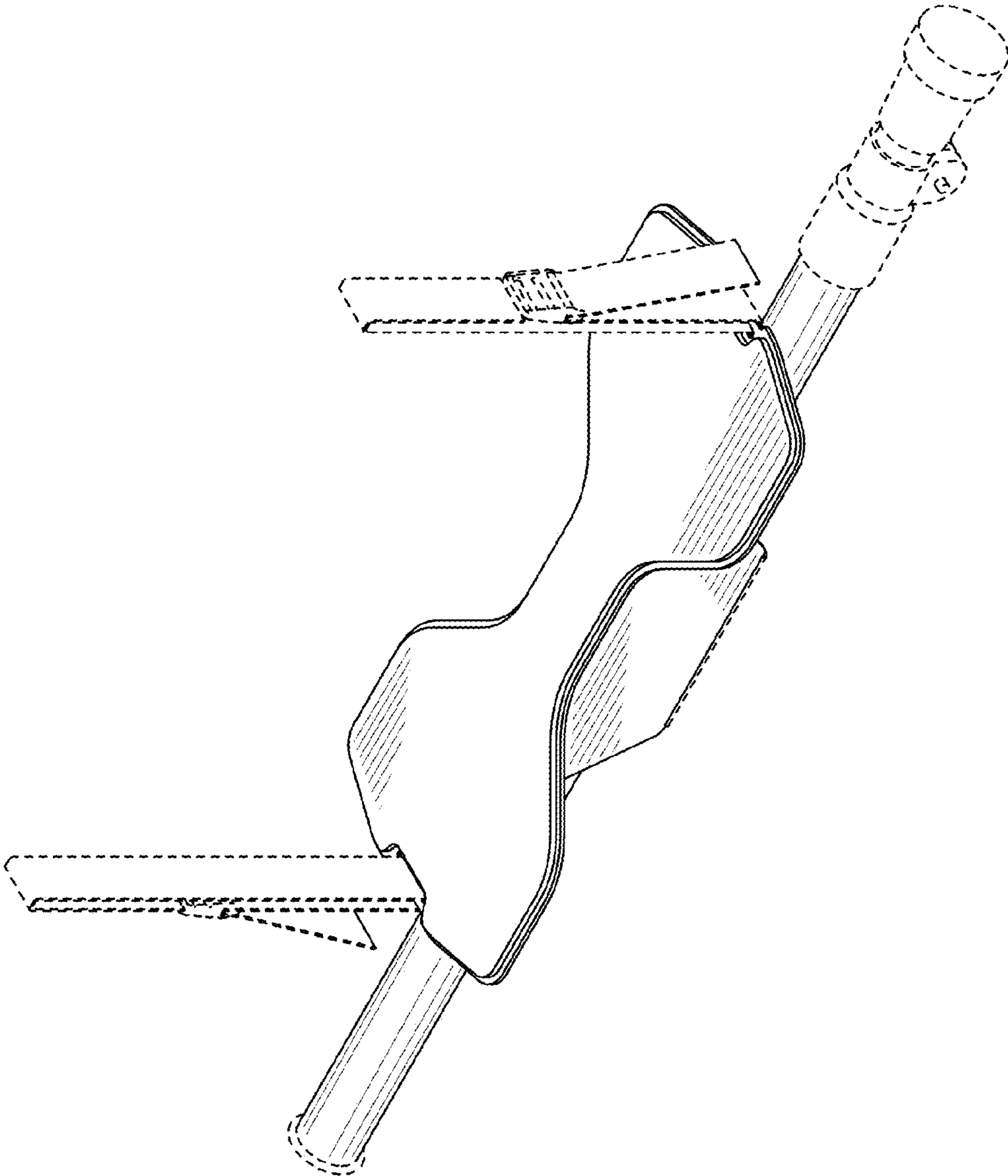


Fig. 1

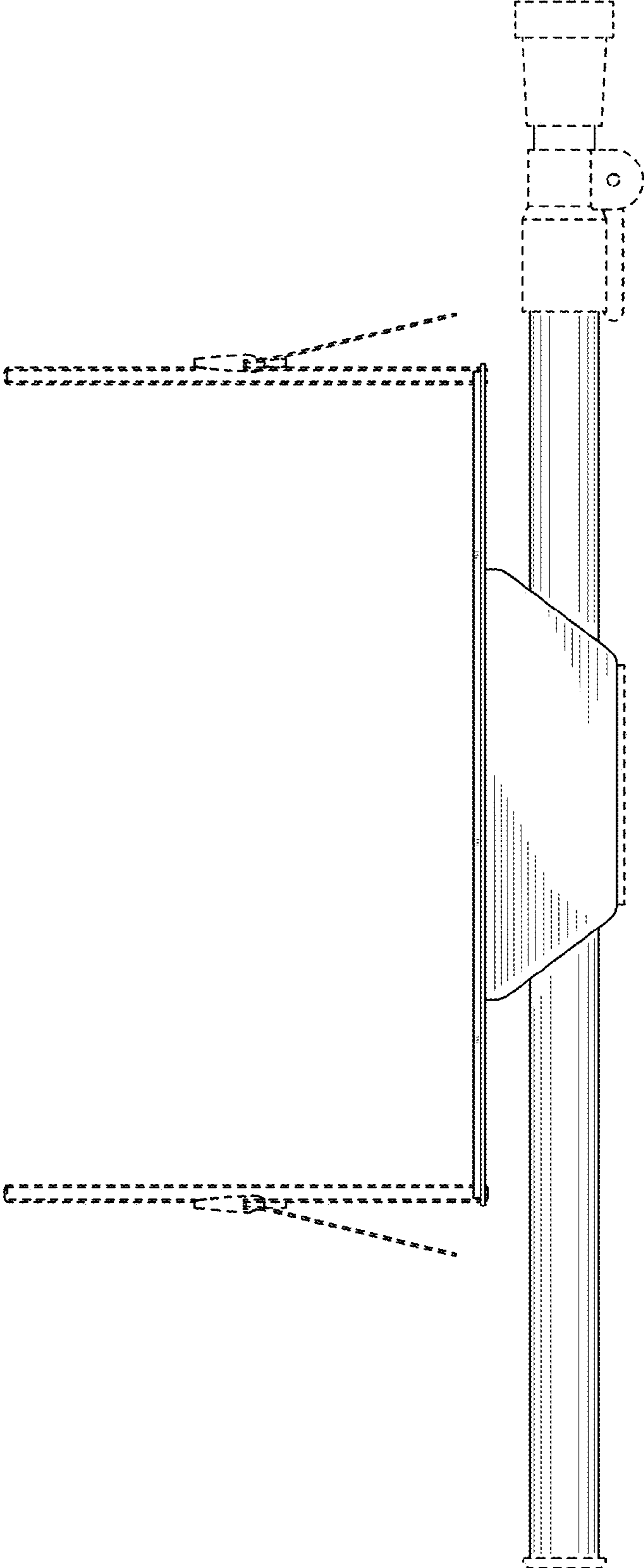


Fig. 2

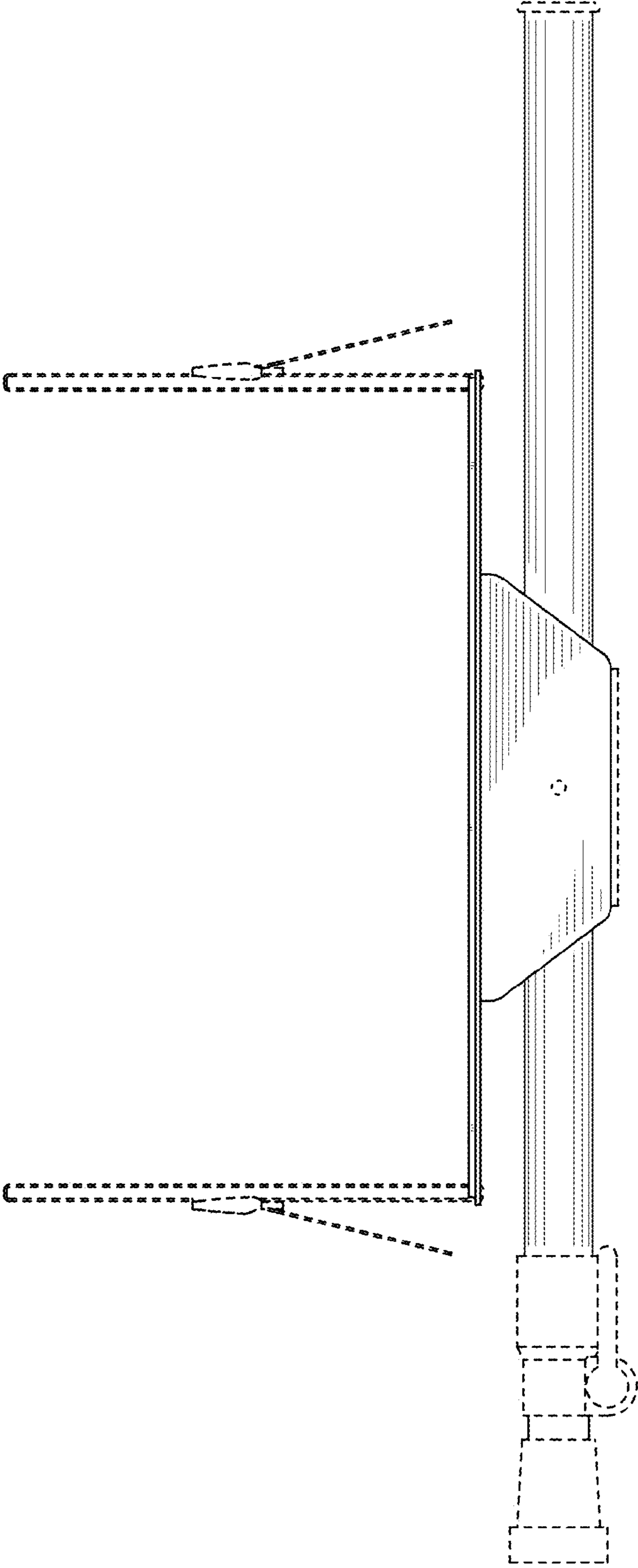


Fig. 3

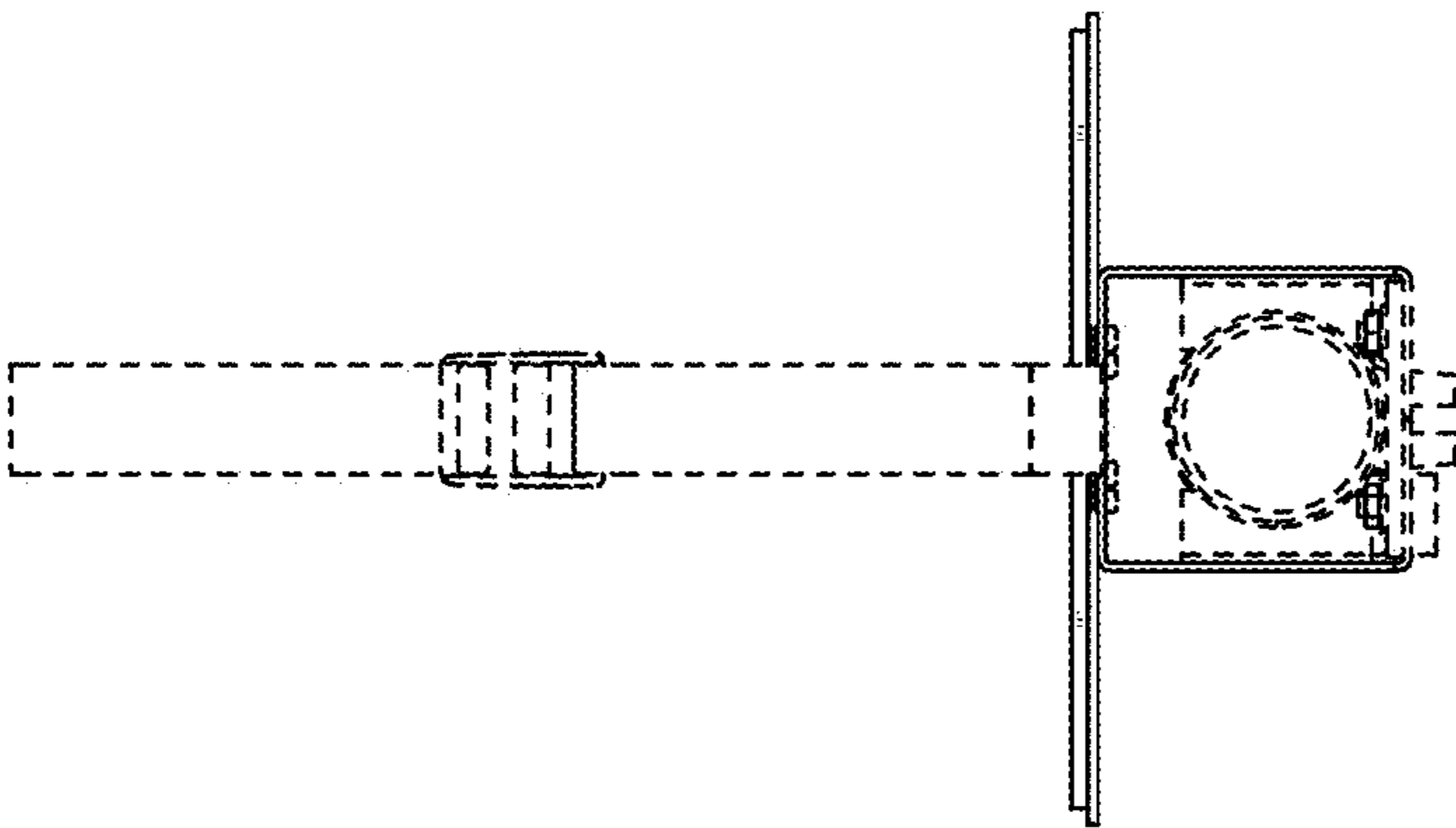


Fig. 5

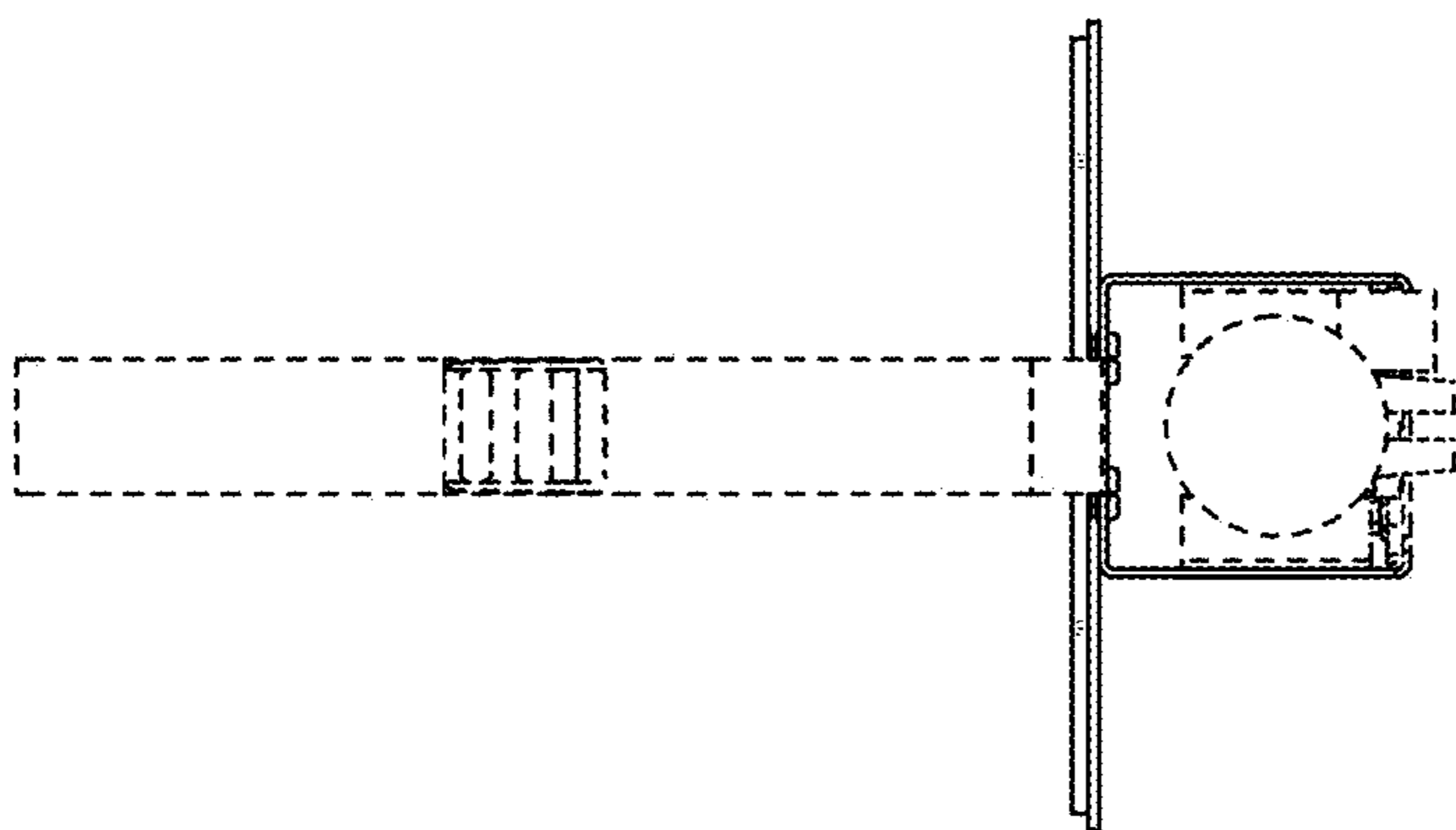


Fig. 4

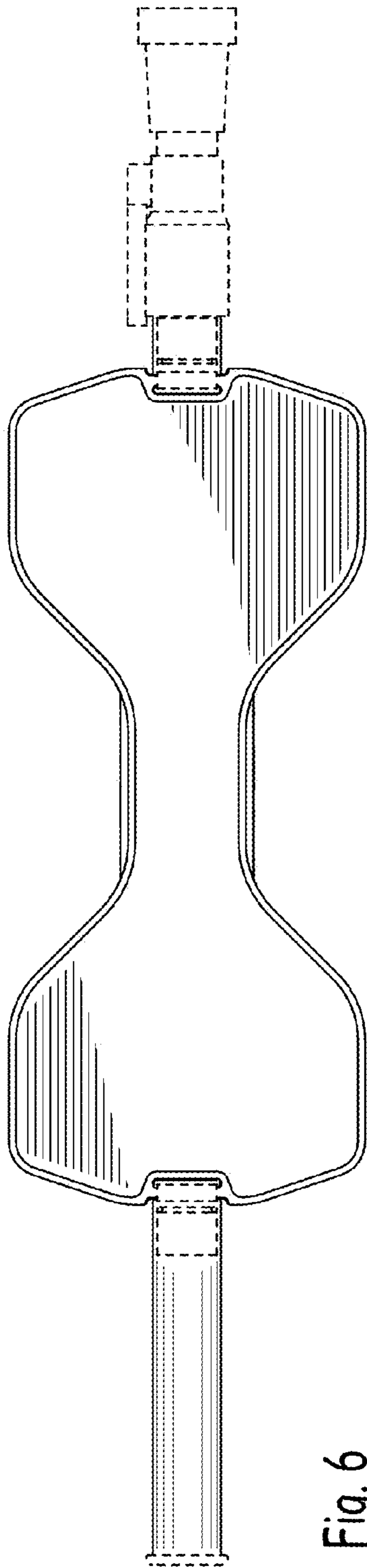


Fig. 6

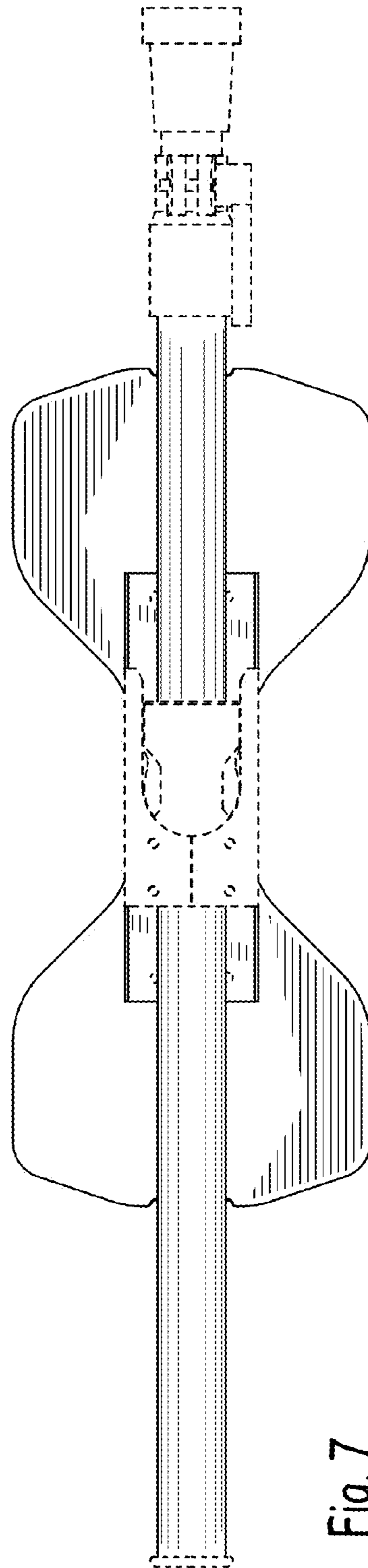


Fig. 7

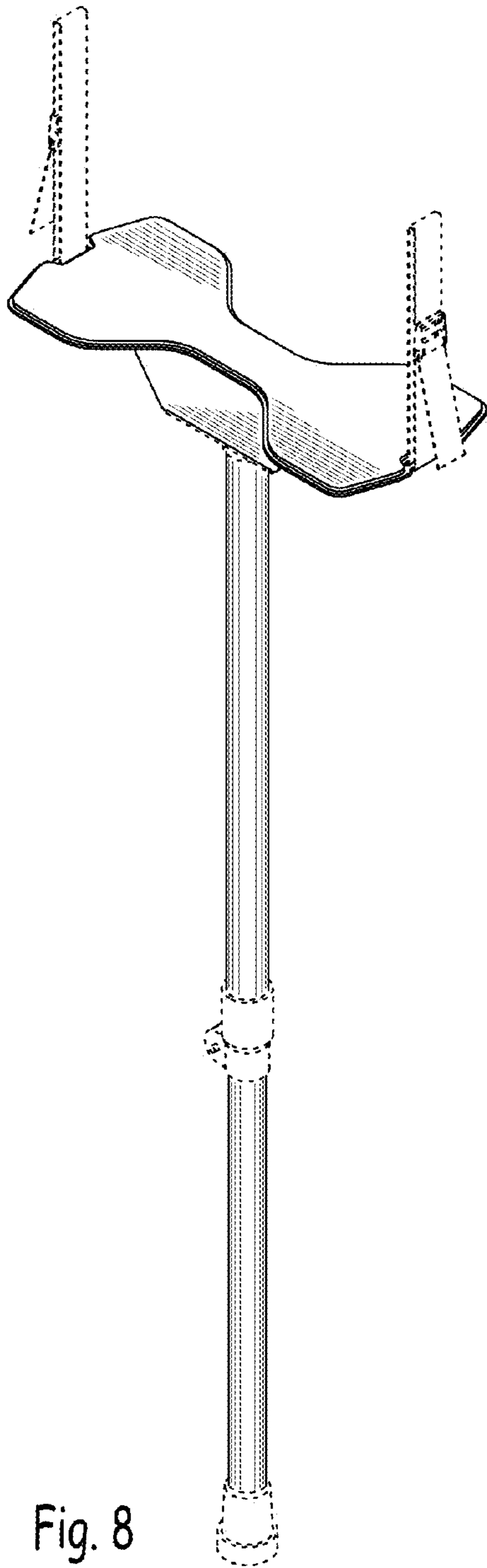


Fig. 8

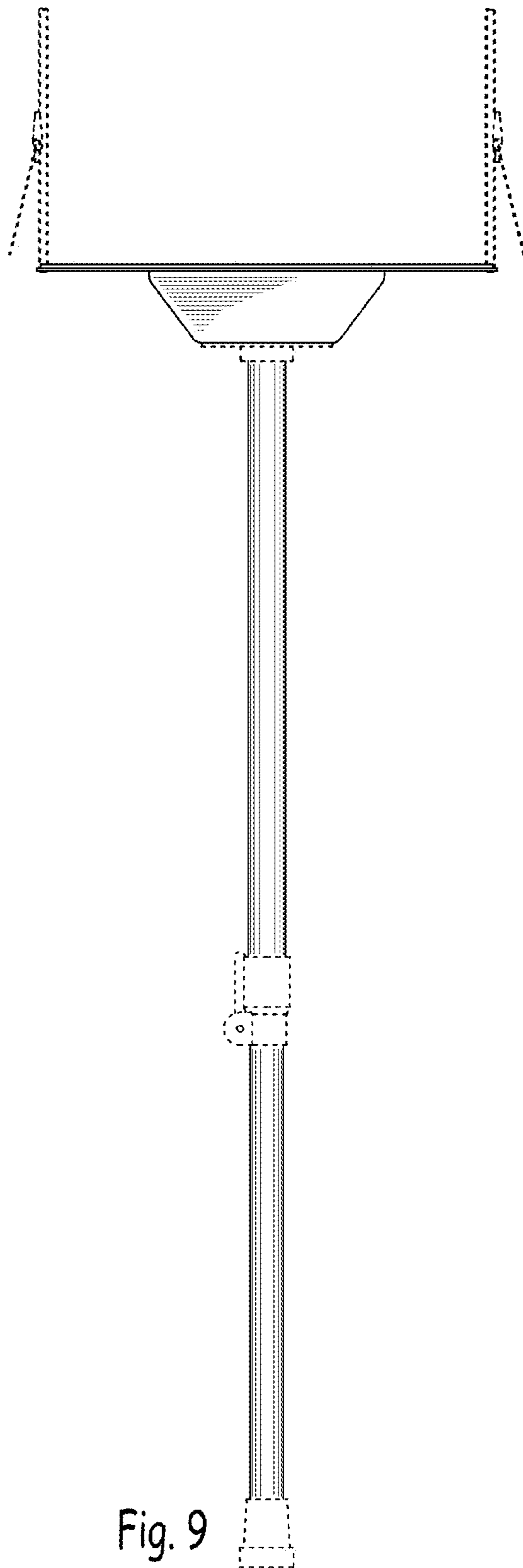


Fig. 9

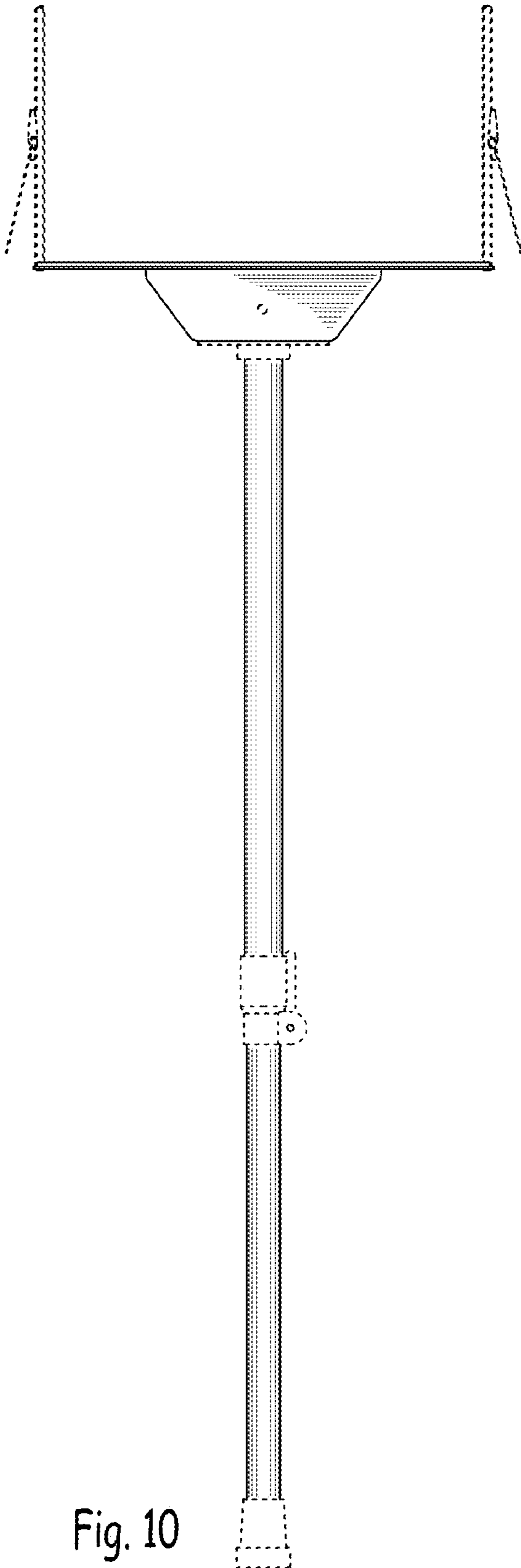


Fig. 10

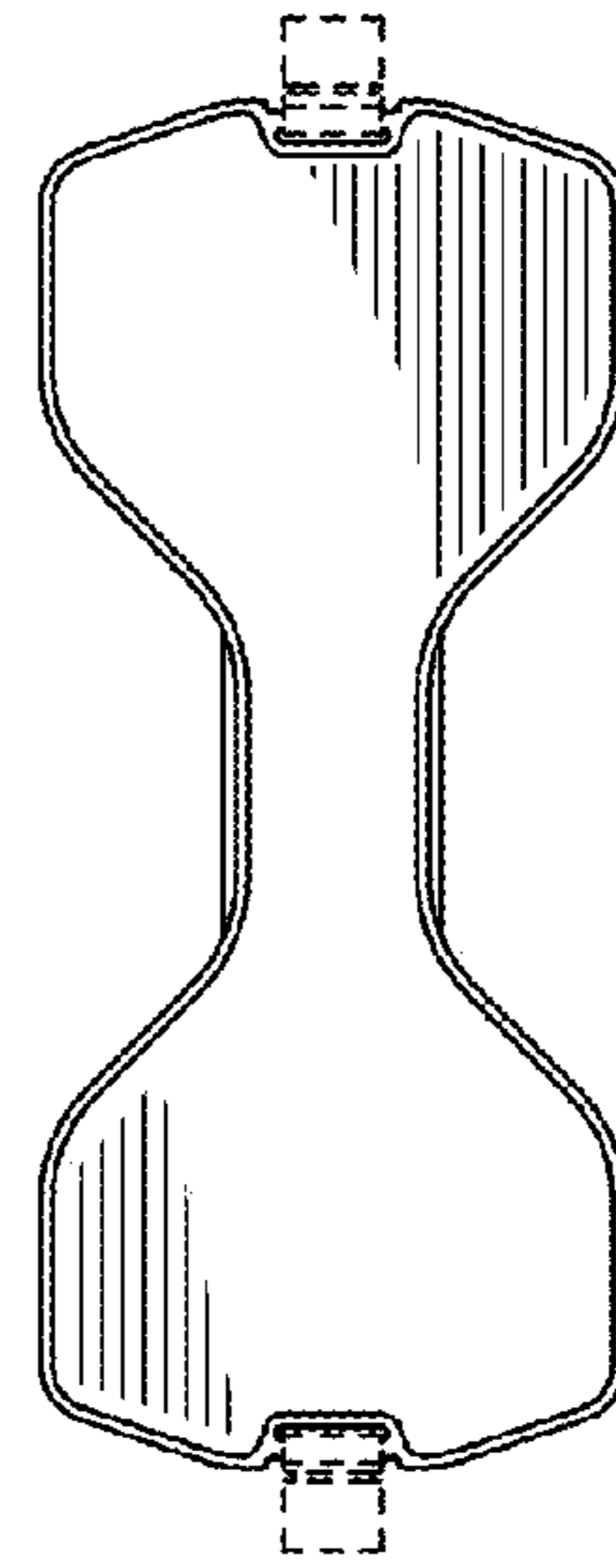


Fig. 11

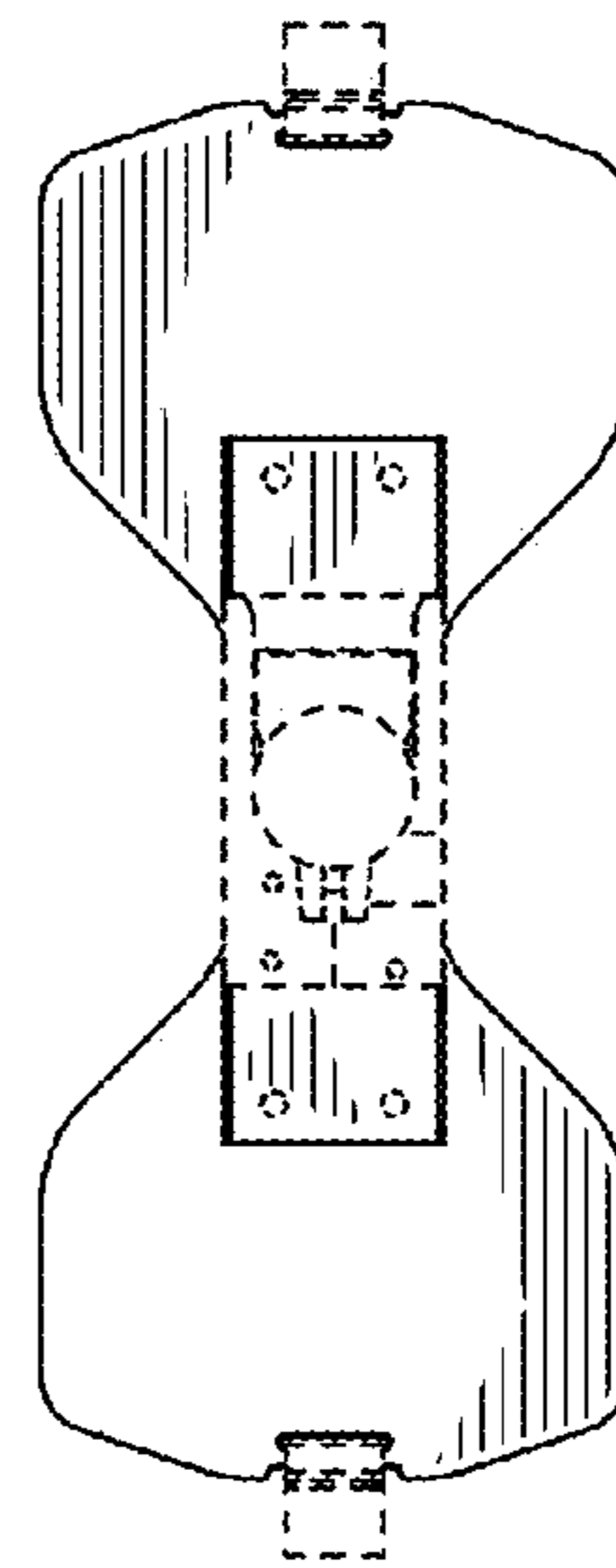


Fig. 12

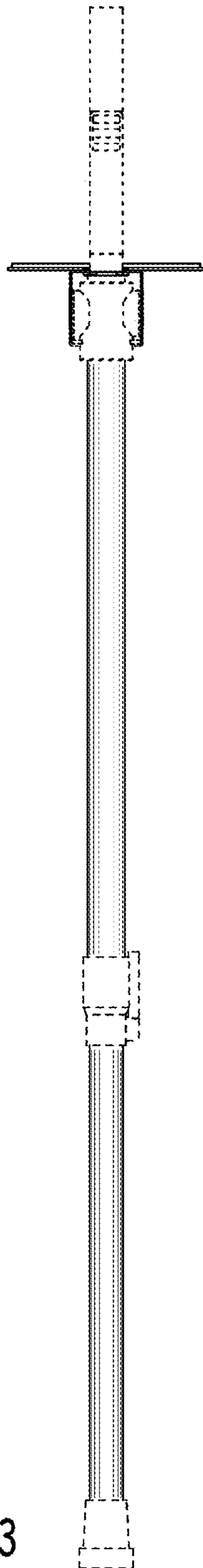


Fig. 13

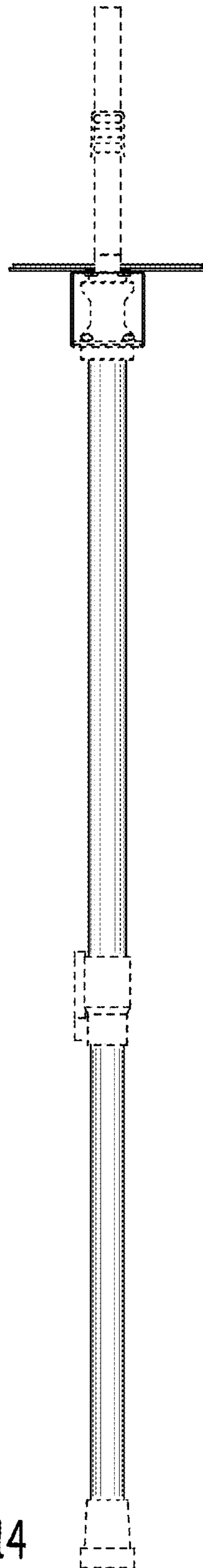


Fig. 14