



US00D758350S

(12) **United States Design Patent**
Mulumudi et al.

(10) **Patent No.:** **US D758,350 S**
(45) **Date of Patent:** **** Jun. 7, 2016**

- (54) **ELECTRONIC DEVICE CASING**
- (71) Applicant: **StratoScientific, Inc.**, Shoreline, WA (US)
- (72) Inventors: **Suman K. Mulumudi**, Snohomish, WA (US); **Mahesh S. Mulumudi**, Snohomish, WA (US)
- (73) Assignee: **StratoScientific, Inc.**, Shoreline, WA (US)

D718,760 S *	12/2014	Davis	D14/253
D726,704 S *	4/2015	Park	D14/250
D746,802 S *	1/2016	Mulumudi	D14/250
2004/0109571 A1	6/2004	Yoshimine		
2004/0220487 A1	11/2004	Vyshedskiy et al.		
2008/0146276 A1	6/2008	Lee		
2009/0213264 A1	8/2009	Kim		
2011/0087135 A1	4/2011	Ferzli et al.		
2012/0074006 A1	3/2012	Monaco et al.		
2012/0190303 A1	7/2012	Wong		

(Continued)

(**) Term: **14 Years**

(21) Appl. No.: **29/508,972**

(22) Filed: **Nov. 12, 2014**

(51) **LOC (10) Cl.** **14-03**

(52) **U.S. Cl.**
USPC **D14/217; D14/250**

(58) **Field of Classification Search**
USPC D14/217, 250, 132, 496, 248, 240, 432, D14/439, 440; D3/201, 218, 247, 269, 272, D3/301, 303
CPC A45C 2011/002; A45C 11/00; A45C 13/002; A45C 2011/003; H04M 1/0283; H04M 1/0202; A61B 5/00; A61B 5/6899; A61B 5/172; A61B 7/04
See application file for complete search history.

FOREIGN PATENT DOCUMENTS

KR	10-2011-0047181	5/2011
KR	10-2013-0022141	3/2013
WO	WO-2011/049293 A1	4/2011

OTHER PUBLICATIONS

U.S. Office Action Mailed May 15, 2015 for U.S. Appl. No. 29/469,889.

(Continued)

Primary Examiner — Daniel Bui
Assistant Examiner — Khawaja Anwar
(74) *Attorney, Agent, or Firm* — Foley & Lardner LLP

(57) **CLAIM**

The ornamental design for an electronic device casing, as shown and described.

(56) **References Cited**

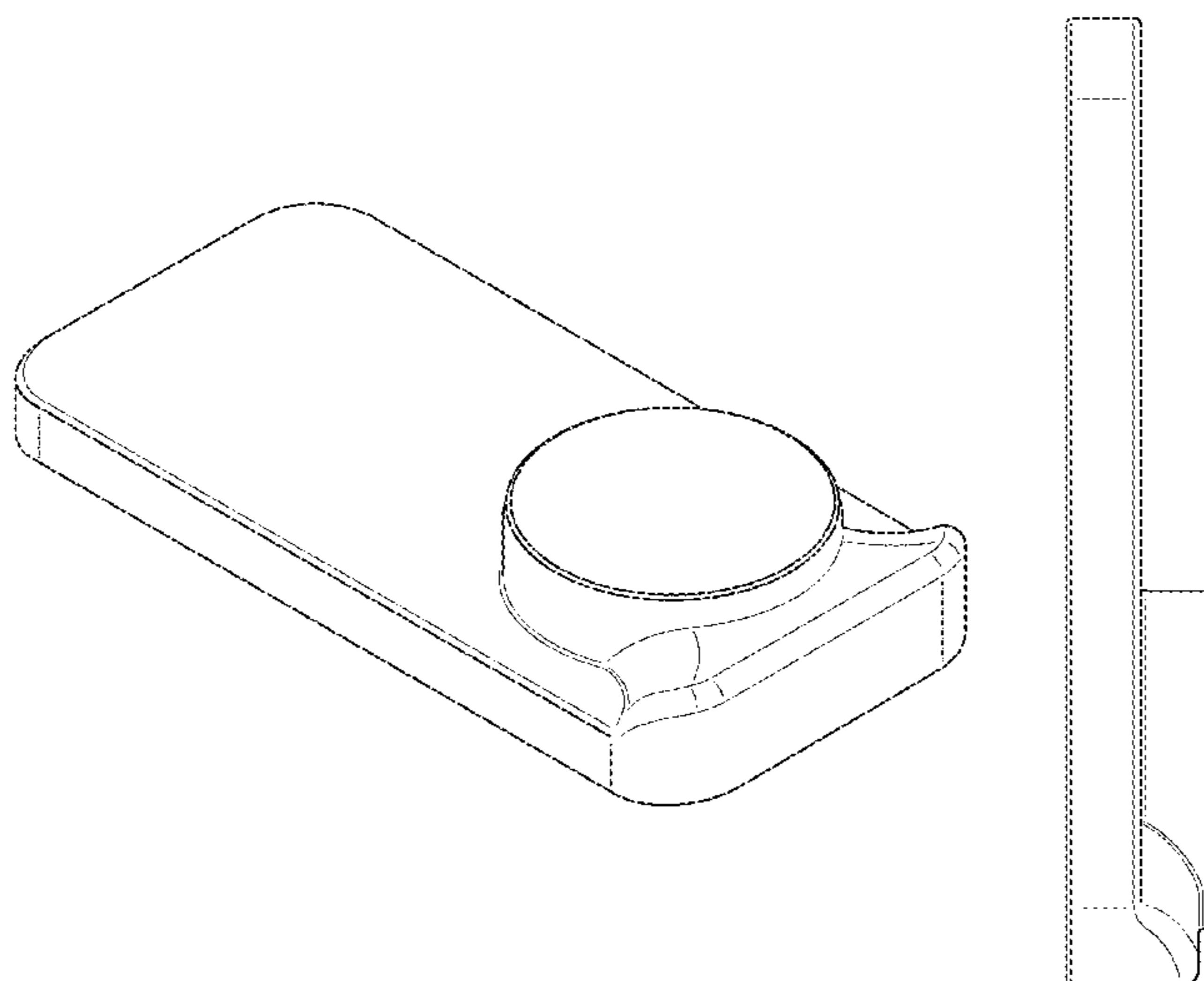
U.S. PATENT DOCUMENTS

4,802,550 A	2/1989	Poore	
6,757,392 B1	6/2004	Granzotto et al.	
6,790,178 B1	9/2004	Mault et al.	
7,115,102 B2	10/2006	Abbruscato	
8,200,277 B2	6/2012	Lee	
D669,587 S	10/2012	Mayer	
D676,034 S *	2/2013	Stuart D14/250
D678,869 S	3/2013	Diebel	
D685,356 S	7/2013	Diebel	
D686,605 S	7/2013	Palmeri	

DESCRIPTION

FIG. 1 is a perspective view of the an electronic device casing, showing my new design;
FIG. 2 is a front elevation view thereof;
FIG. 3 is a back elevation view thereof;
FIG. 4 is a left side elevation view thereof;
FIG. 5 is a right side elevation view thereof;
FIG. 6 is a top plan view thereof; and,
FIG. 7 is a bottom plan view thereof.

1 Claim, 5 Drawing Sheets



(56)

References Cited

U.S. PATENT DOCUMENTS

2013/0116584 A1 5/2013 Kapoor
2013/0170686 A1 7/2013 Lester, Jr.
2013/0181584 A1 7/2013 Whitten et al.
2013/0206614 A1 8/2013 O'Neill et al.
2014/0135080 A1* 5/2014 Kimball H04M 1/04
455/575.1
2014/0163422 A1 6/2014 Poplaw
2015/0087926 A1 3/2015 Raz et al.

OTHER PUBLICATIONS

U.S. Office Action Mailed Jun. 2, 2015 for U.S. Appl. No. 14/054,656.
Brazilian Office Action dated Jun. 16, 2015 for Brazilian Patent Application No. BR 30 2014 001702-0 with English translation of portion of document relating to BR 30 2014 001702-0.
Notice of Allowance Mailed Jul. 31, 2015 for U.S. Appl. No. 29/469,889.
U.S. Office Action Mailed Aug. 21, 2015 for U.S. Appl. No. 14/054,656.
International Search Report and Written Opinion for PCT/US2014/060493.

Japanese Office Action Issued Jan. 6, 2015 for Japanese Design Application No. 2014-008230 (no English translation available).
Examiner's Report dated Oct. 18, 2014 for Canadian Application No. 156103 (3 pages).
iPhone Stethoscope Attachment Finished as shown in http://www.jeffreythompson.org/blog/2011/12/15/iphone_stethoscope-attachment-finished dated Dec. 15, 2011.
iPhone Stethoscope Attachment by Jeff Thompson <http://www.thingiverse.com/thing:149028> dated Sep. 10, 2013, Retrieved Sep. 25, 2013.
My Babys Beat <http://www.mybabysbeat.com> dated Oct. 10, 2013.
Thinklabs Stethoscope App <http://www.thinklabsmedical.com/iphone-a-ipod-touch-app.html> dated Oct. 10, 2013.
Abstract for WO-2011/049293-A1.
U.S. Appl. No. 61/735,977, filed Dec. 11, 2012, Barry Poplaw.
Examiner's Report dated Nov. 13, 2015 received for Canadian Industrial Design Application No. 164902.
U.S. Office Action mailed Feb. 9, 2016 for U.S. Appl. No. 14/054,656.
US Notice of Allowance dated Apr. 4, 2016, from related U.S. Appl. No. 14/054,656.

* cited by examiner

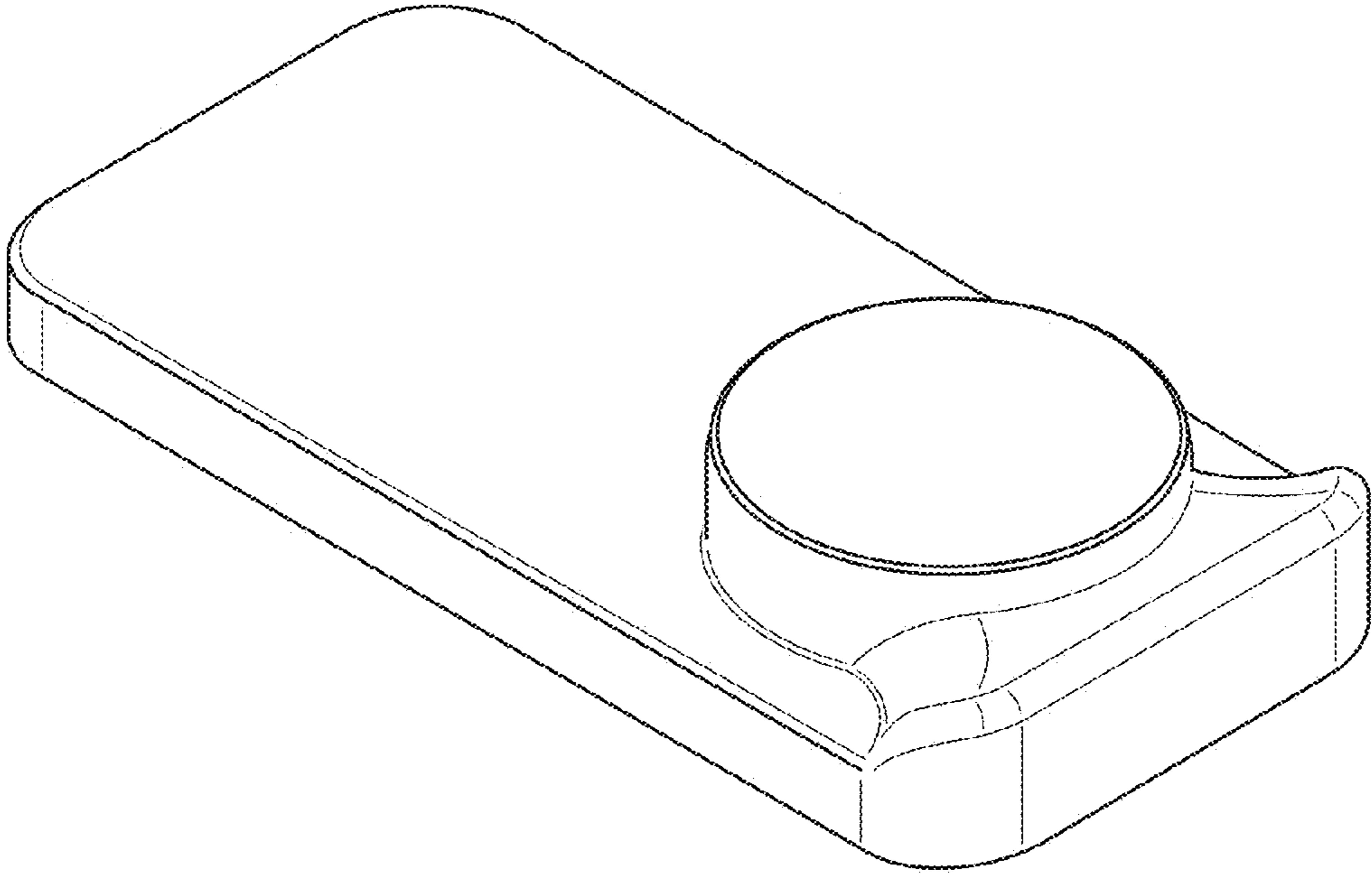


FIG. 1

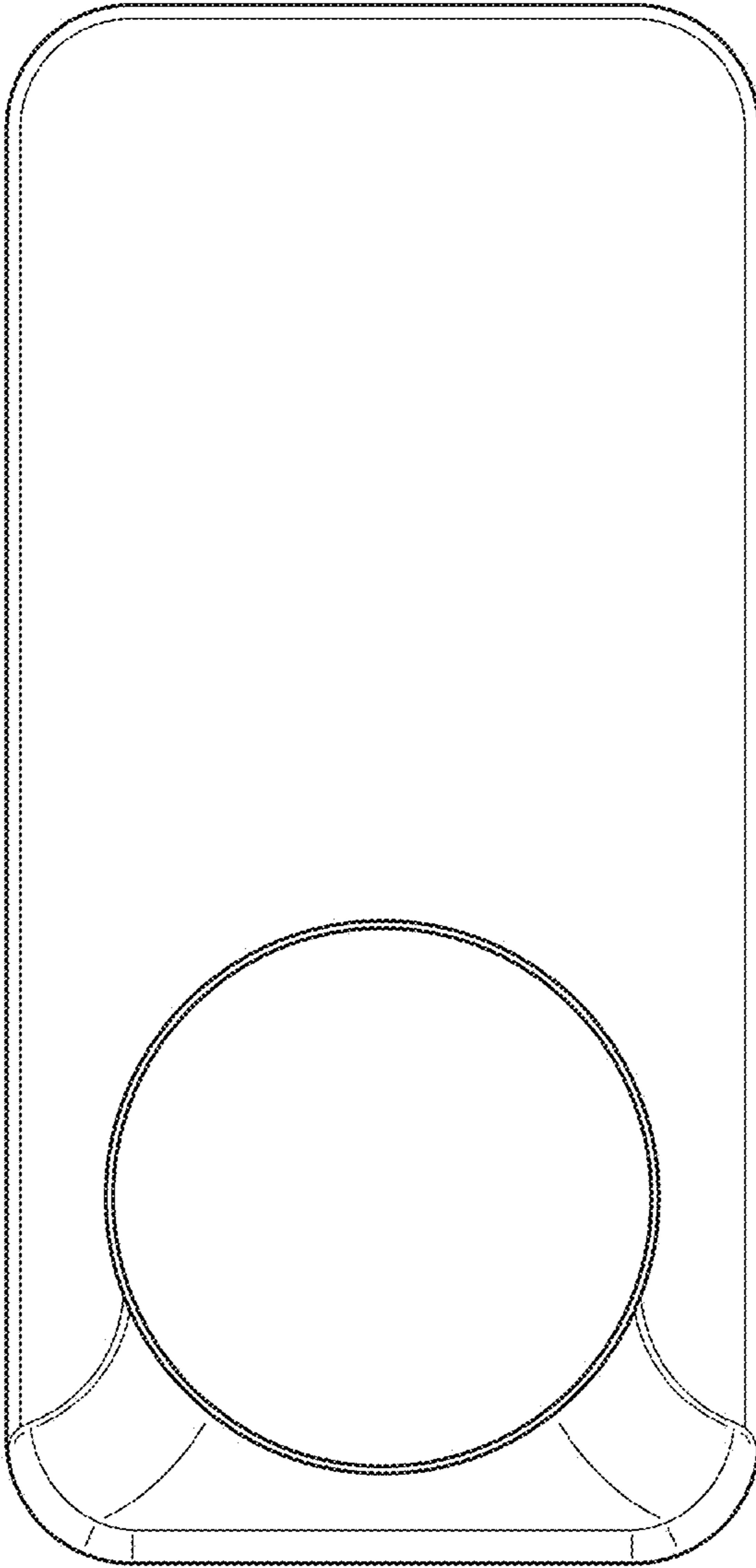


FIG. 2

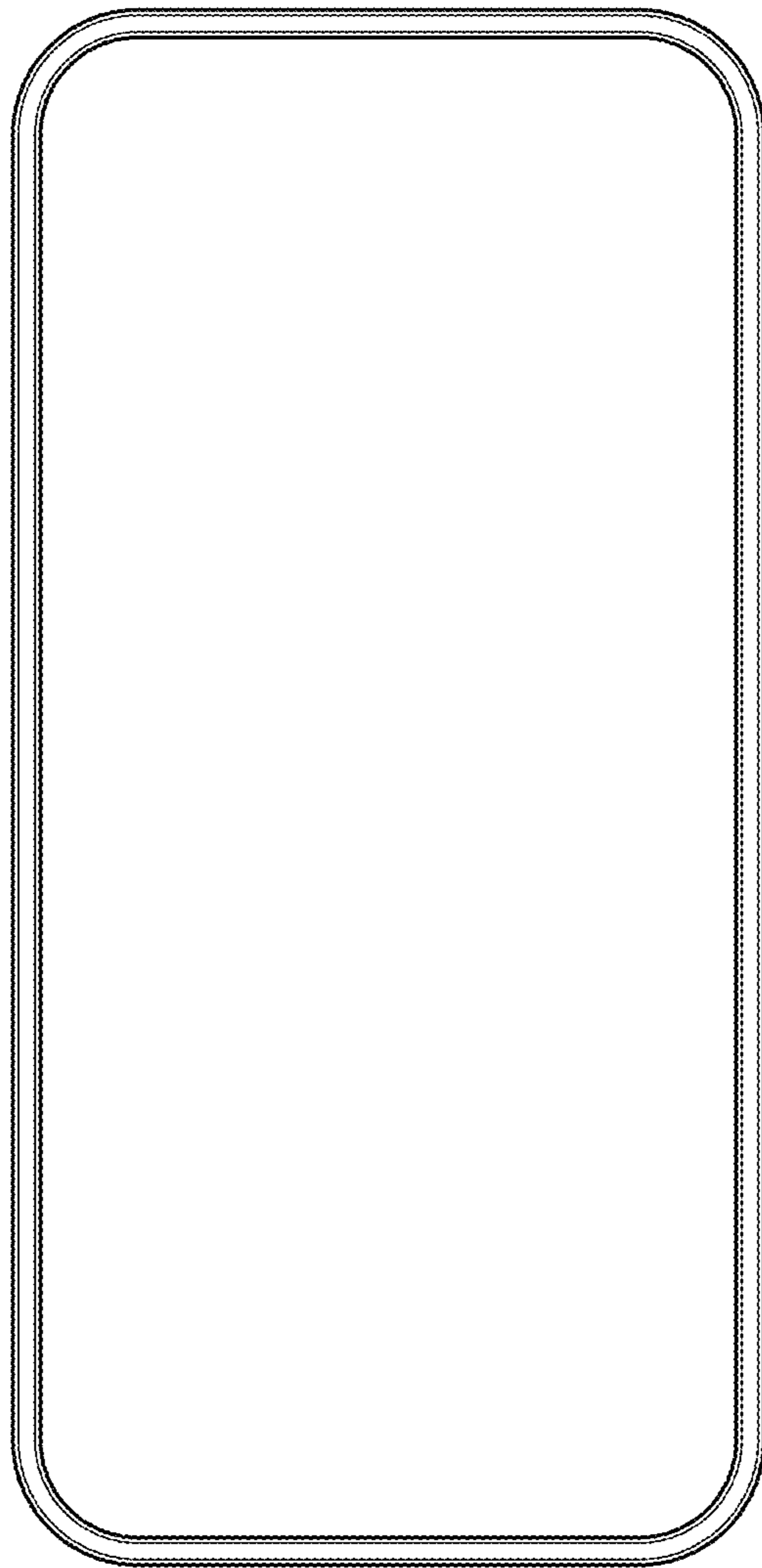


FIG. 3

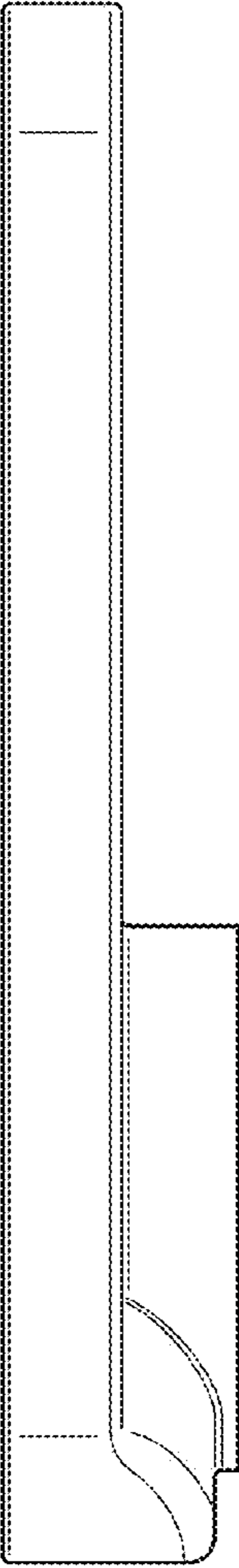


FIG. 4

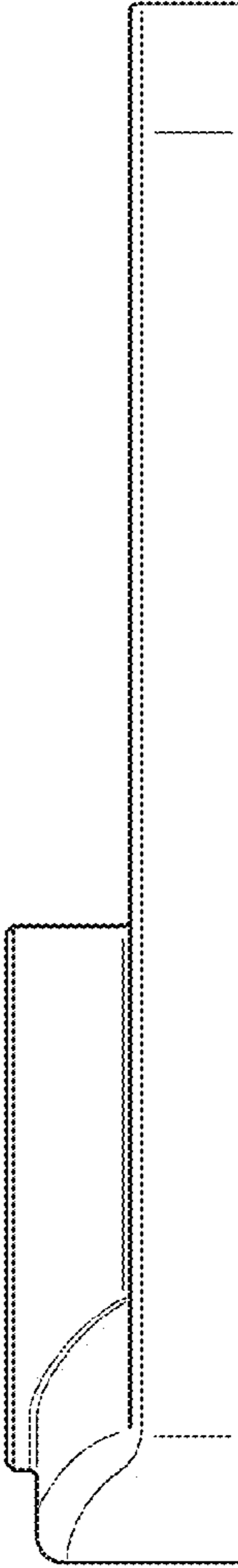


FIG. 5

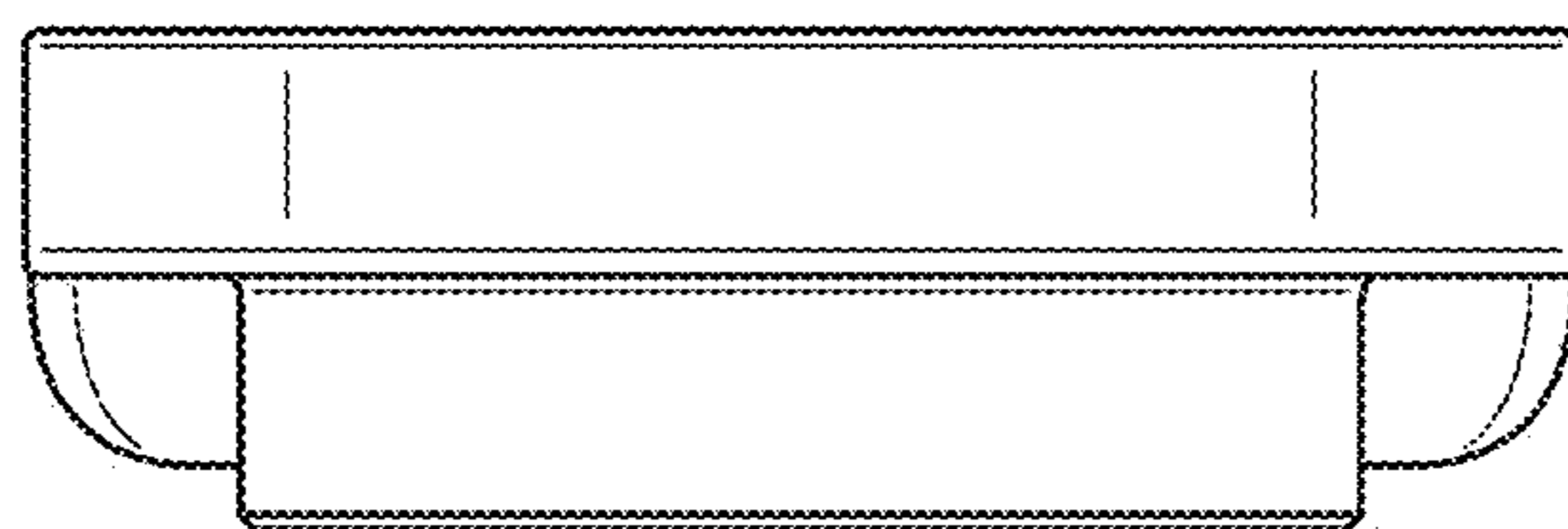


FIG. 6

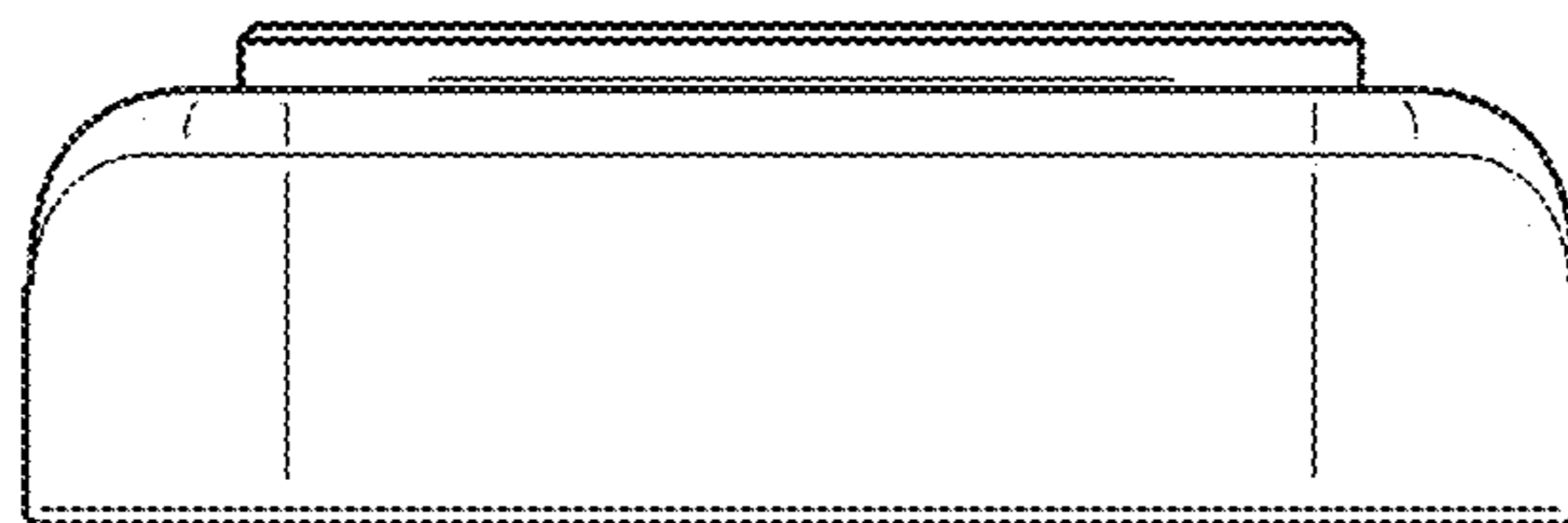


FIG. 7