



US00D758349S

(12) **United States Design Patent**
Chen

(10) **Patent No.:** **US D758,349 S**

(45) **Date of Patent:** **** Jun. 7, 2016**

(54) **ILLUMINATION SPEAKER**

(71) Applicant: **EMOI LIFESTYLE CO., LTD.**,
Shenzhen, Guangdong (CN)

(72) Inventor: **Shi Chen**, Shenzhen (CN)

(73) Assignee: **EMOI LIFESTYLE CO., LTD.**,
Shenzhen, Guangdong (CN)

(**) Term: **14 Years**

(21) Appl. No.: **29/514,647**

(22) Filed: **Jan. 14, 2015**

(30) **Foreign Application Priority Data**

Jul. 18, 2014 (CN) 2014 3 0245015

(51) **LOC (10) Cl.** **14-03**

(52) **U.S. Cl.**
USPC **D14/216**

(58) **Field of Classification Search**
USPC D14/168, 170-172, 188, 194-196, 204,
D14/207, 210-216, 219, 221, 222, 224,
D14/496; 181/143, 144, 147, 148, 150, 153,
181/157, 198, 199; 381/300-303, 306, 332,
381/333, 336, 345, 361-364, 386-388;
D26/2-4, 26, 34, 51, 52, 57, 63, 64, 72,
D26/73, 113, 138, 142

CPC B60R 11/0217; G06F 1/1688; H04M 1/03;
H04M 1/035; H04R 1/02; H04R 1/06; H04R
1/021; H04R 1/025; H04R 1/026; H04R
1/028; H04R 1/105; H04R 1/323; H04R
1/403; H04R 1/2803; H04R 1/2834; H04R
5/02; H04R 7/20; H04R 9/06; H04R 9/025;

H04R 2201/021; H04R 2400/00; H04R
2400/07; H04R 2499/11; H04R 2499/13;
H04R 2499/15; H04S 3/00; H04S 7/30

See application file for complete search history.

(56) **References Cited**

U.S. PATENT DOCUMENTS

D393,016 S *	3/1998	Young	D11/131
D568,885 S *	5/2008	Solland	D14/400
D584,898 S *	1/2009	Chang	D6/309
D617,674 S *	6/2010	Nakamura	D11/121
D645,846 S *	9/2011	Mordechai	D14/216
D743,941 S *	11/2015	Patsis	D14/216

* cited by examiner

Primary Examiner — Keli L Hill

(74) *Attorney, Agent, or Firm* — Raymond Y. Chan; David
and Raymond Patent Firm

(57) **CLAIM**

The ornamental design for a illumination speaker, as shown
and described.

DESCRIPTION

FIG. 1 is a perspective view of an illumination speaker show-
ing my new design.

FIG. 2 is a front view of the illumination speaker.

FIG. 3 is a rear view of the illumination speaker.

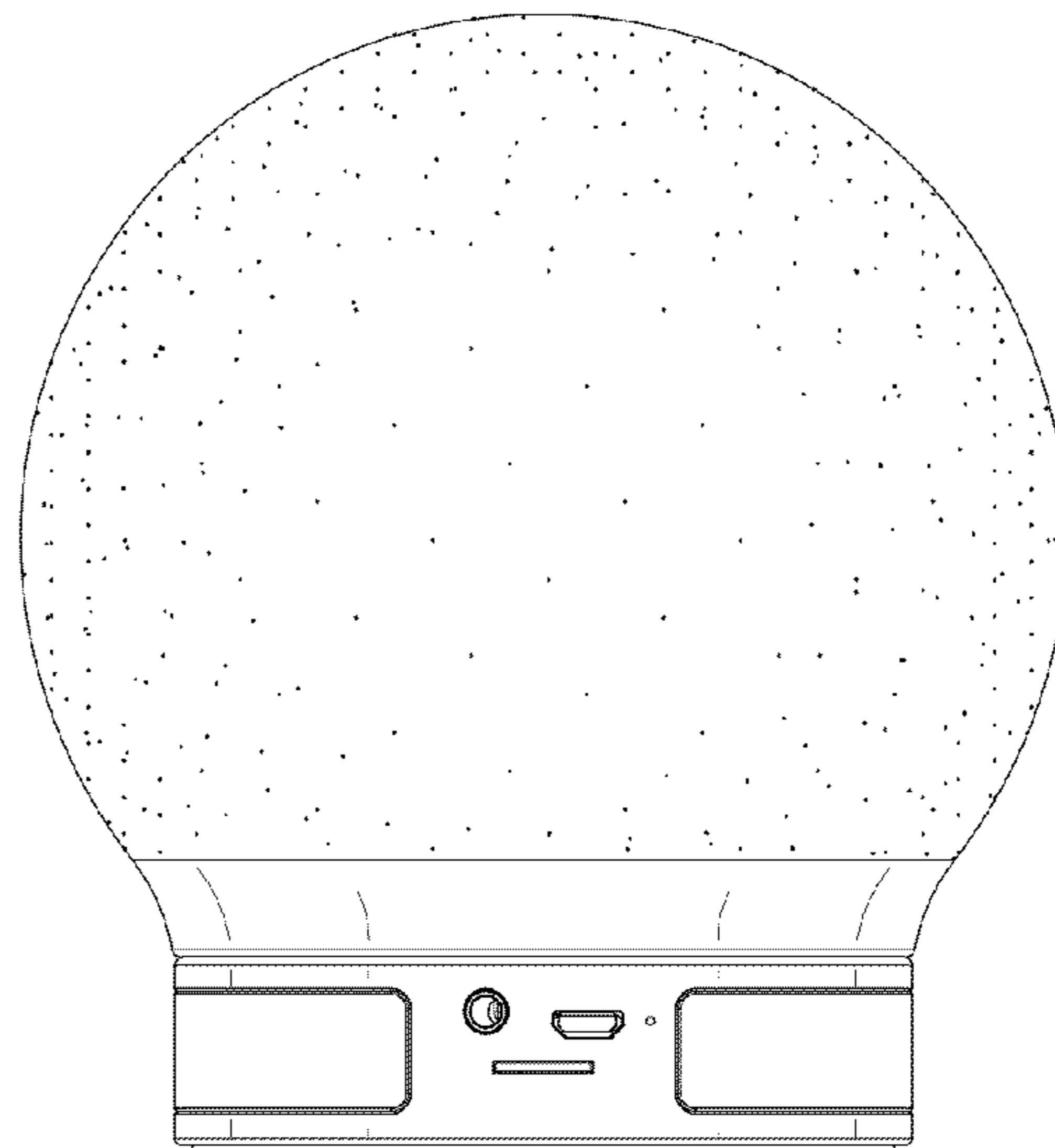
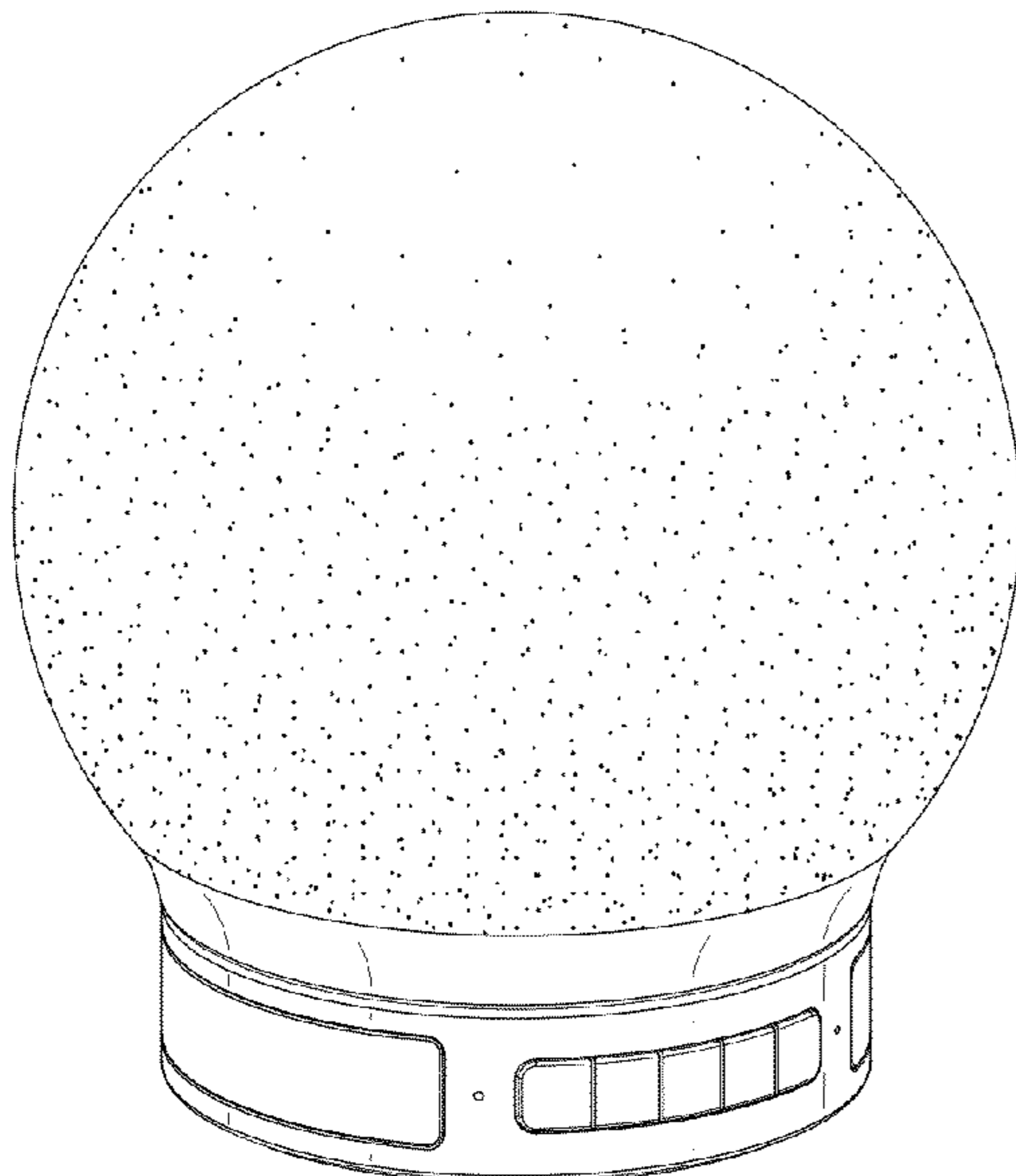
FIG. 4 is a right view of the illumination speaker.

FIG. 5 is a left view of the illumination speaker.

FIG. 6 is a top view of the illumination speaker; and,

FIG. 7 is a bottom view of the illumination speaker.

1 Claim, 4 Drawing Sheets



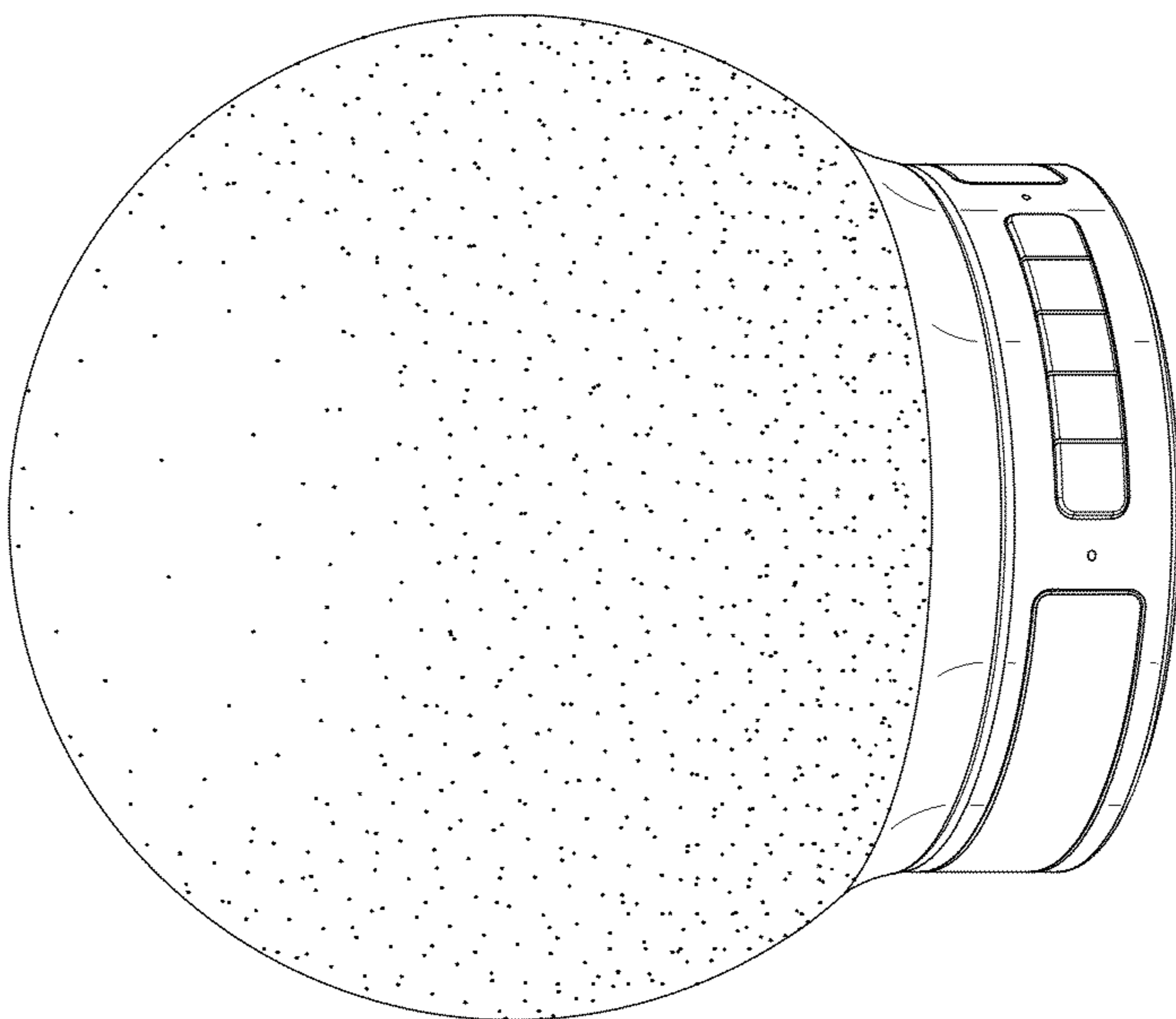


FIG.1

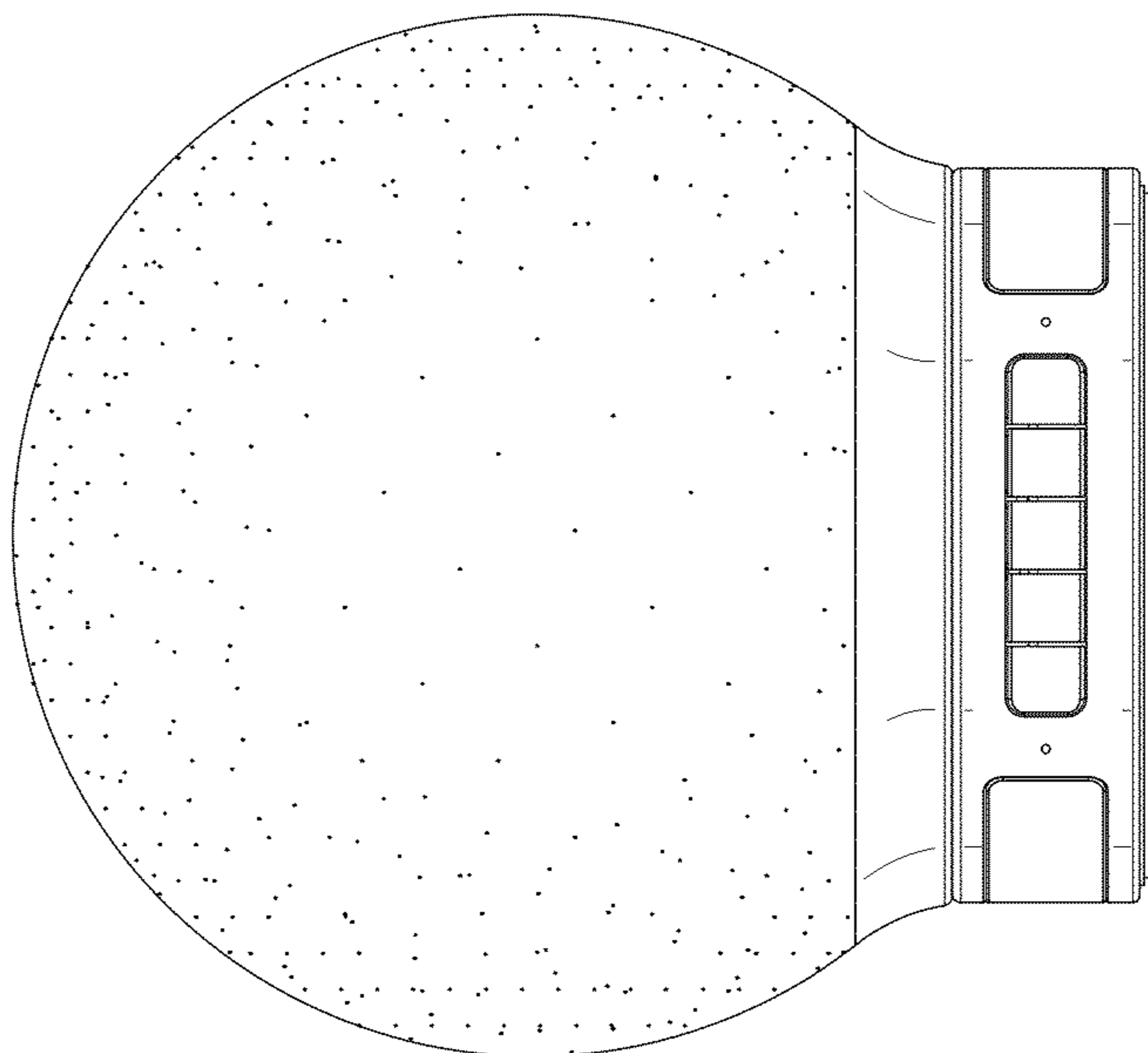


FIG.2

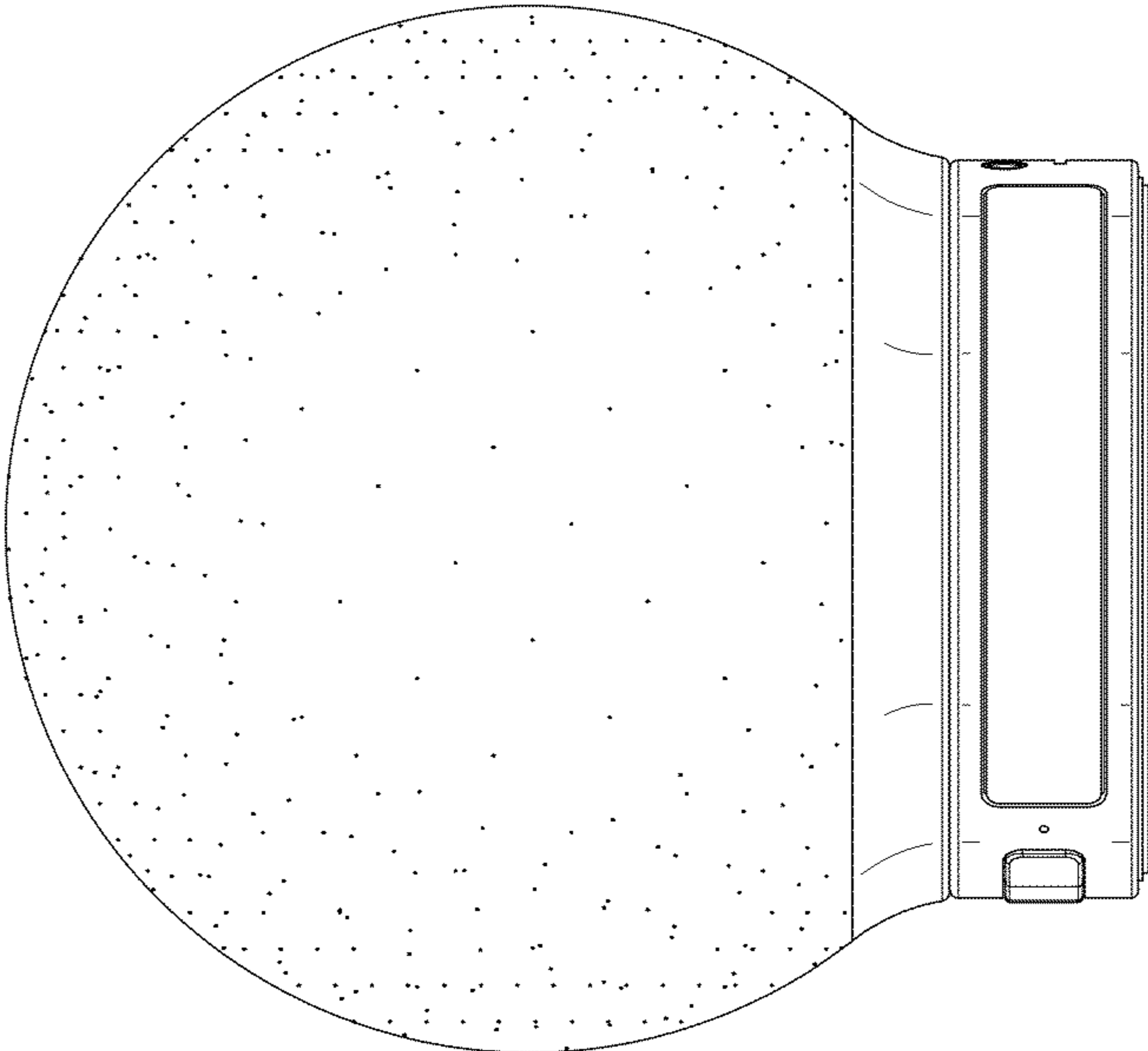


FIG.4

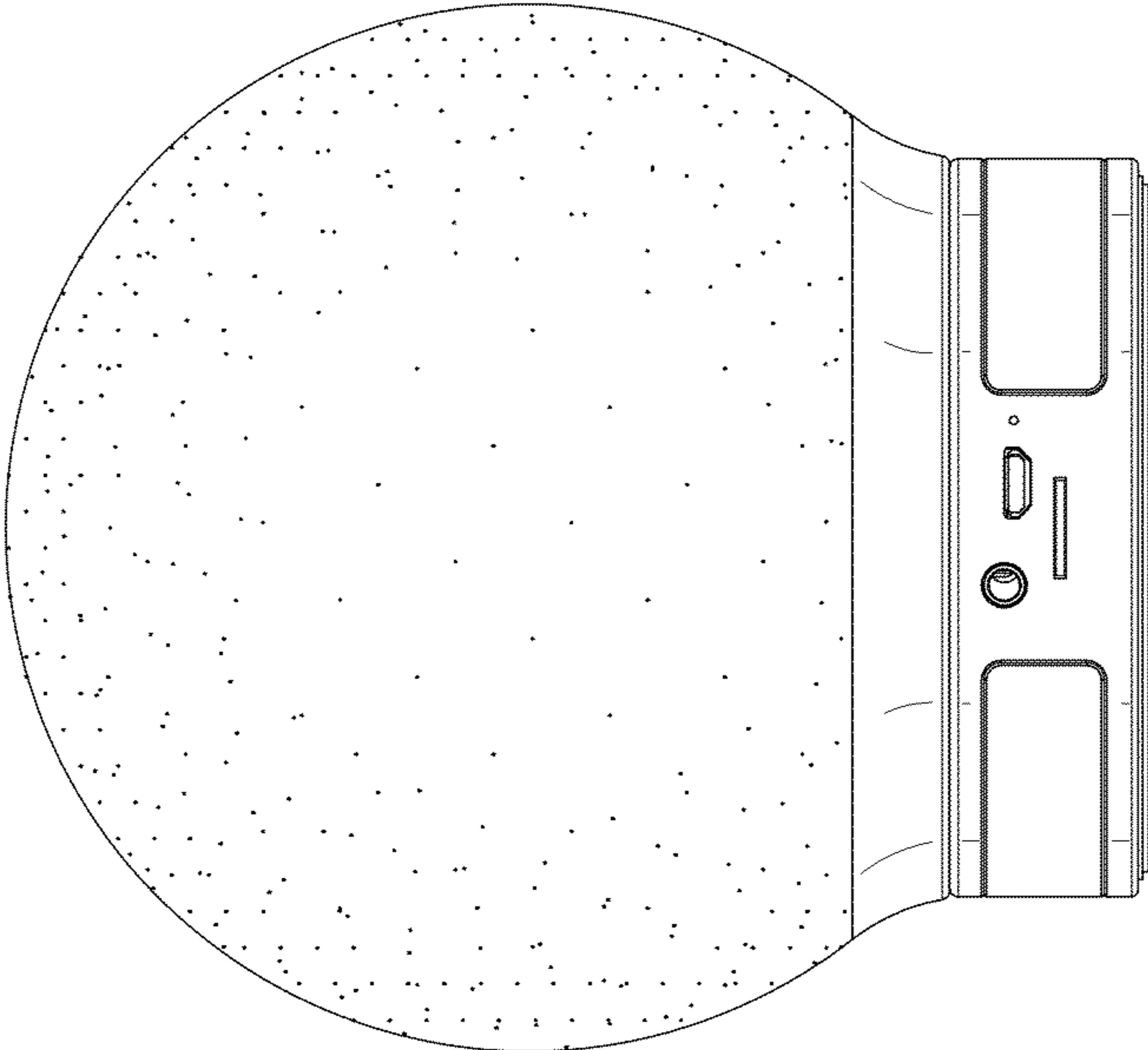


FIG.3

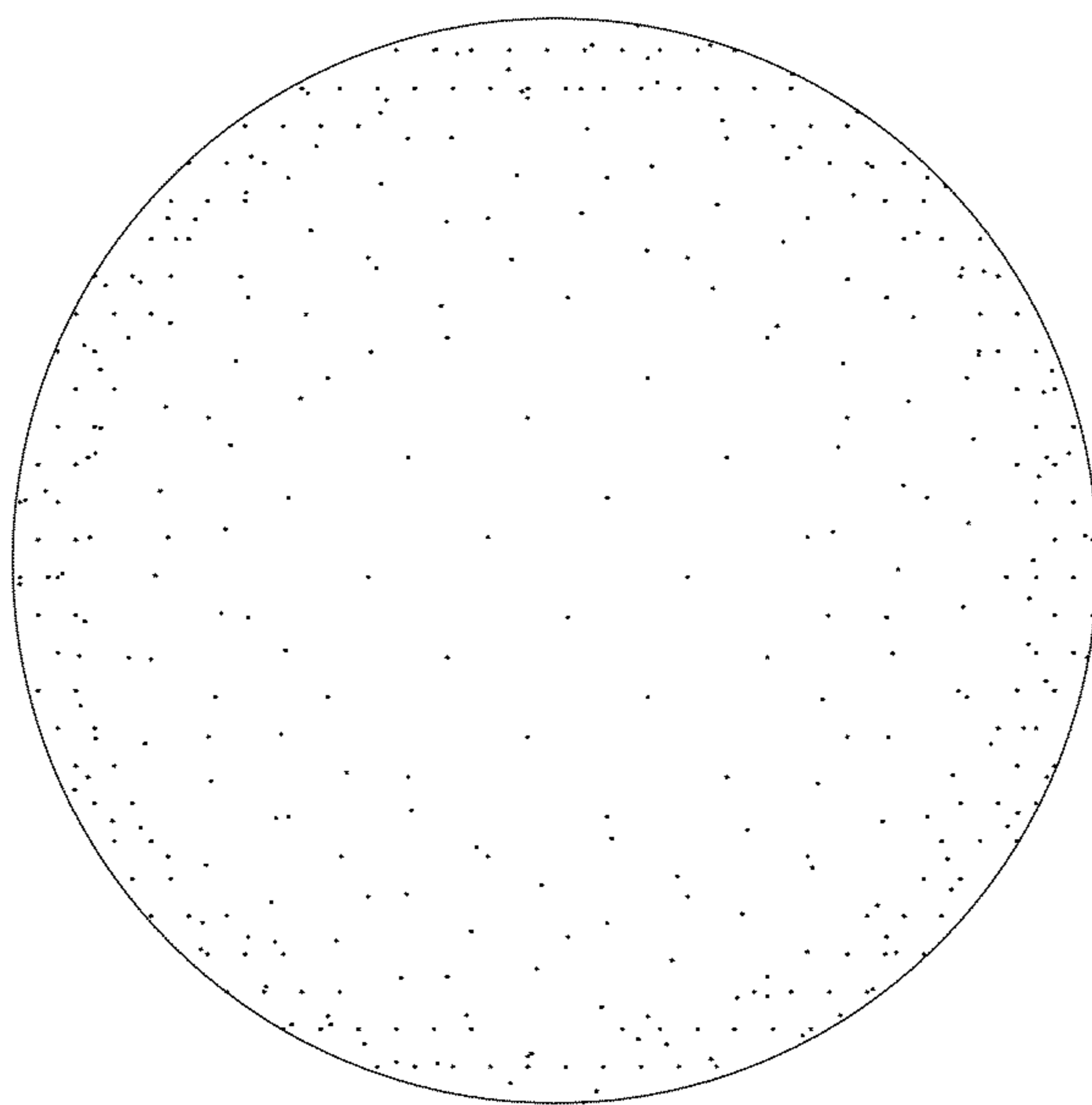


FIG. 6

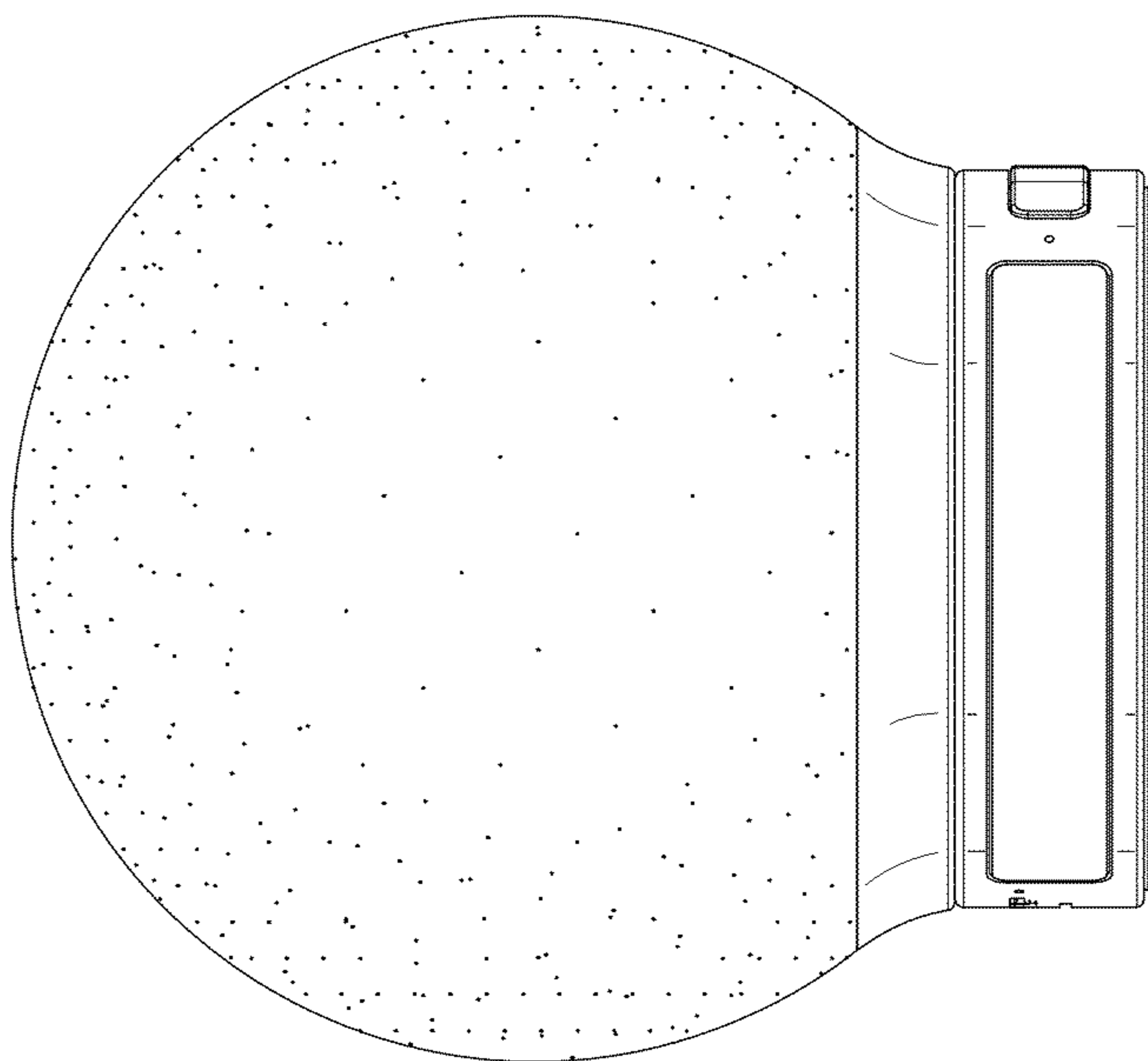


FIG. 5

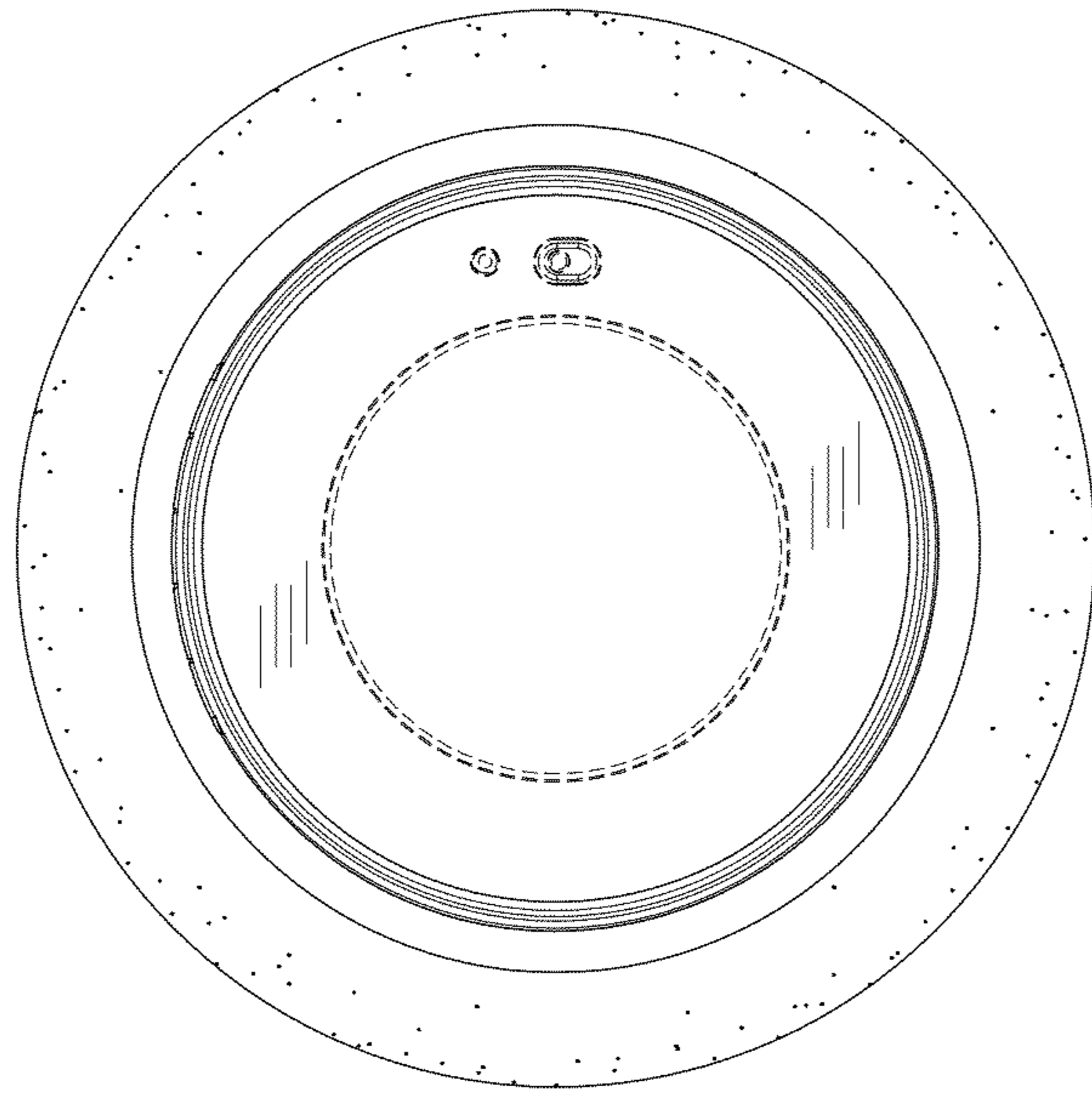


FIG. 7