



US00D758348S

(12) **United States Design Patent**
Lukic et al.

(10) **Patent No.:** **US D758,348 S**
(45) **Date of Patent:** **** Jun. 7, 2016**

(54) **SPEAKER**

2400/07; H04R 2499/11; H04R 2499/13;
H04R 2499/15; H04S 3/00; H04S 7/30

(71) Applicant: **Logitech Europe S.A.**, Lausanne (CH)

See application file for complete search history.

(72) Inventors: **Branko Lukic**, Menlo Park, CA (US);
Steve Takayama, Menlo Park, CA (US);
Kevin Kilpatrick, Vancouver, WA (US);
Dominic Amae, Vancouver, WA (US);
Sandra Hernandez, Vancouver, WA
(US); **Doug Ebert**, Portland, OR (US);
Gabriel Ulloa, Vancouver, WA (US);
Zach Etter, Vancouver, WA (US); **Bon
Ung**, Vancouver, WA (US); **David Yim**,
Vancouver, WA (US)

(56) **References Cited**

U.S. PATENT DOCUMENTS

D676,418	S	*	2/2013	Suzuki	D14/209.1
D690,281	S	*	9/2013	Carr	D14/204
D698,753	S	*	2/2014	Yiu	D14/216
D706,743	S	*	6/2014	Lukic	D14/204
D725,076	S	*	3/2015	Wong	D14/216
D726,686	S	*	4/2015	Yoon	D14/216

OTHER PUBLICATIONS

Ex Parte Quayle Action for U.S. Appl. No. 29/520,172 mailed Nov. 25, 2015, 6 pages.

* cited by examiner

Primary Examiner — Keli L Hill

(74) *Attorney, Agent, or Firm* — Kilpatrick Townsend & Stockton LLP

(73) Assignee: **Logitech Europe S.A.**, Lausanne (CH)

(**) Term: **14 Years**

(21) Appl. No.: **29/512,593**

(22) Filed: **Dec. 19, 2014**

(57) **CLAIM**

The ornamental design for speaker, as shown and described.

(51) **LOC (10) Cl.** **14-03**

(52) **U.S. Cl.**
USPC **D14/216**

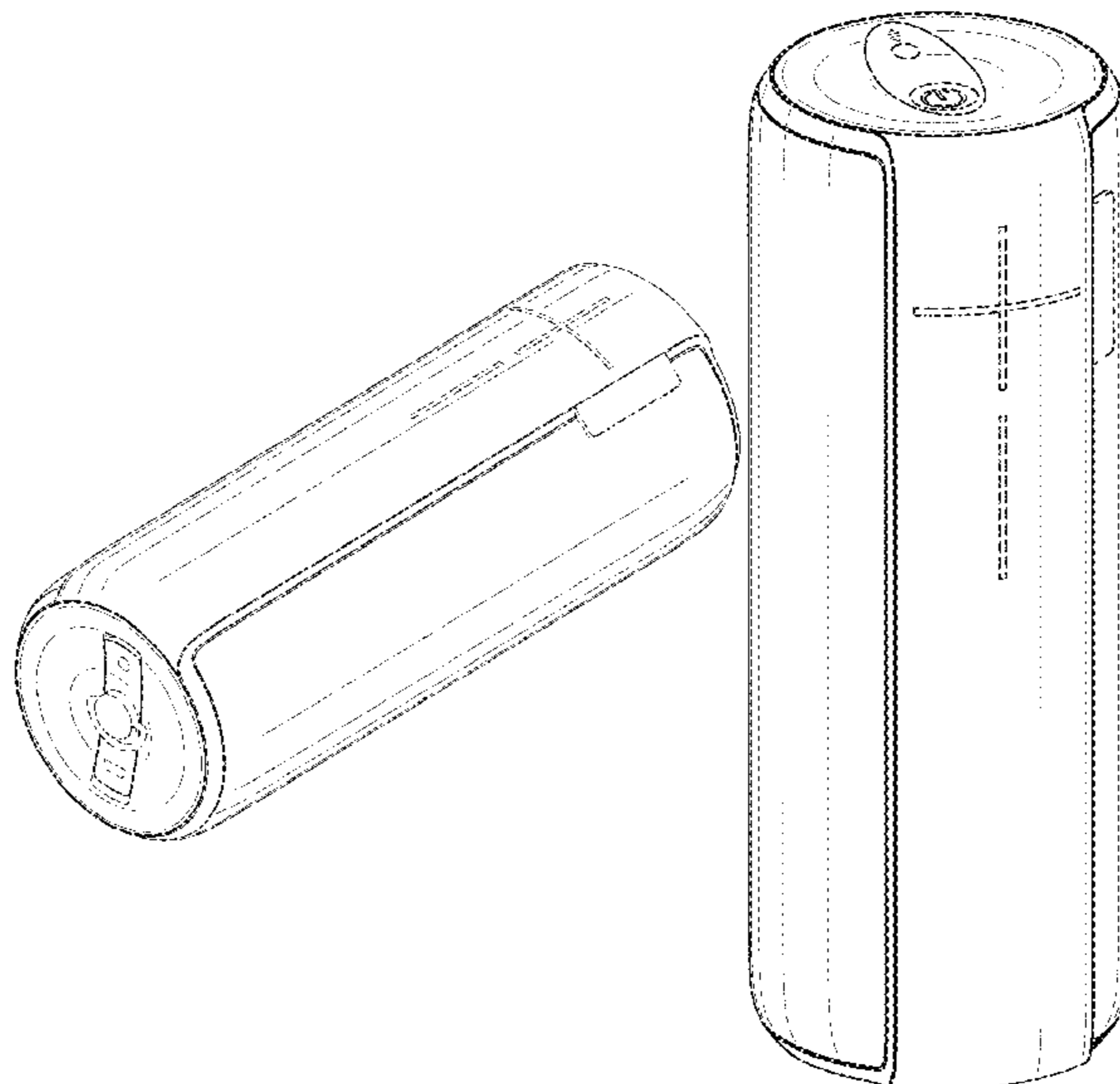
DESCRIPTION

(58) **Field of Classification Search**
USPC D14/167, 168, 170–172, 188, 194–196,
D14/204, 207, 209.1, 210–216, 219, 221,
D14/222, 224, 496; 181/143, 144, 147, 148,
181/150, 153, 157, 198, 199; 381/300–303,
381/306, 332, 333, 336, 345, 361–364,
381/386–388; 369/6–12
CPC B60R 11/0217; G06F 1/1688; H04M 1/03;
H04M 1/035; H04R 1/02; H04R 1/06; H04R
1/021; H04R 1/025; H04R 1/026; H04R
1/028; H04R 1/105; H04R 1/323; H04R
1/403; H04R 1/2803; H04R 1/2834; H04R
5/02; H04R 7/20; H04R 9/06; H04R 9/025;
H04R 2201/021; H04R 2400/00; H04R

FIG. 1 is a perspective view of a speaker, showing our new design;
FIG. 2 is a top plan view thereof;
FIG. 3 is a bottom plan view thereof;
FIG. 4 is a left elevational view thereof;
FIG. 5 is a right elevational view thereof;
FIG. 6 is a front elevational view thereof;
FIG. 7 is a back side elevational view thereof;
FIG. 8 is a second perspective view thereof; and,
FIG. 9 is a third perspective view thereof.

The perspective views are not drawn to scale. The broken lines shown represent unclaimed subject matter and form no part of the claimed design.

1 Claim, 4 Drawing Sheets



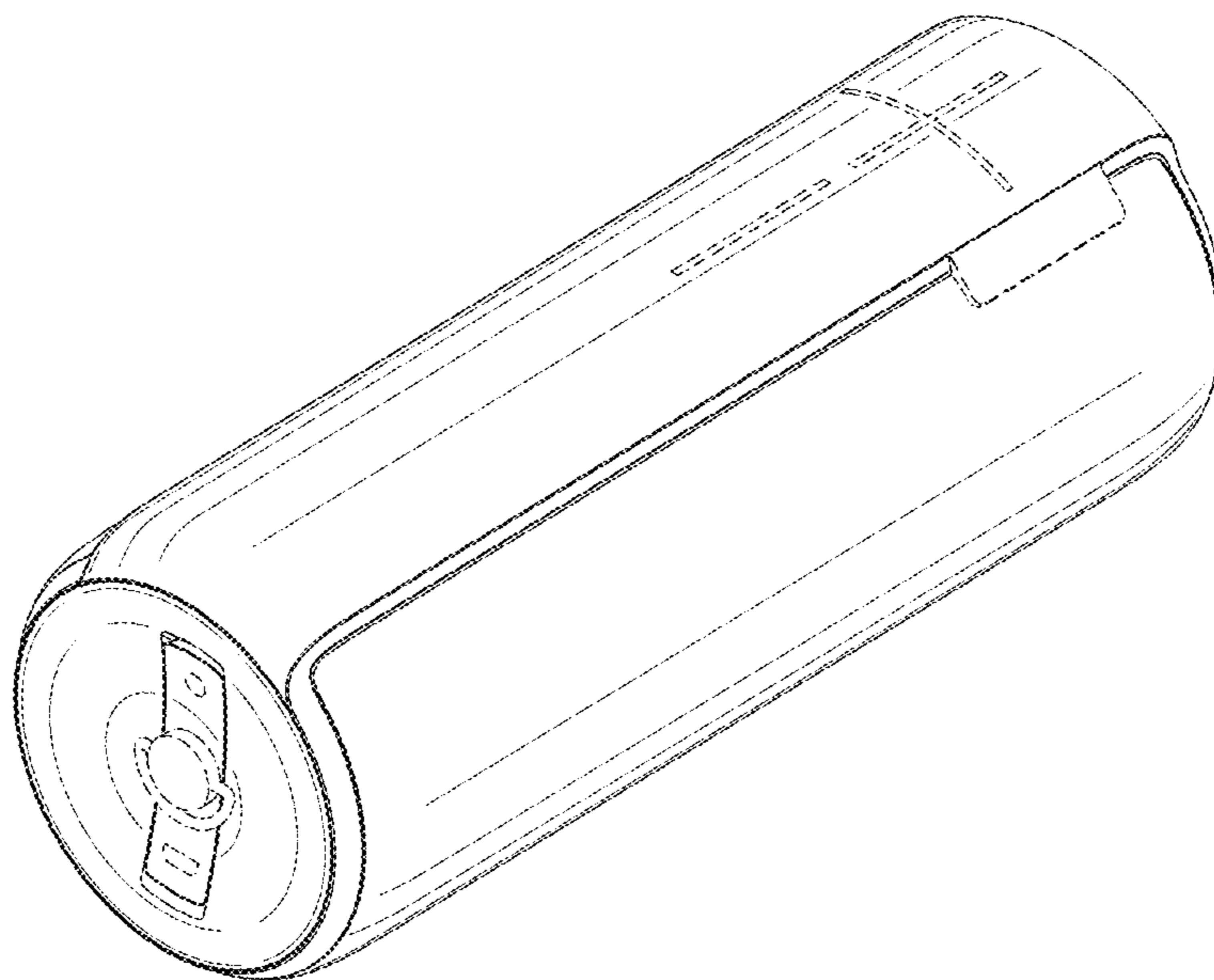


FIG. 1

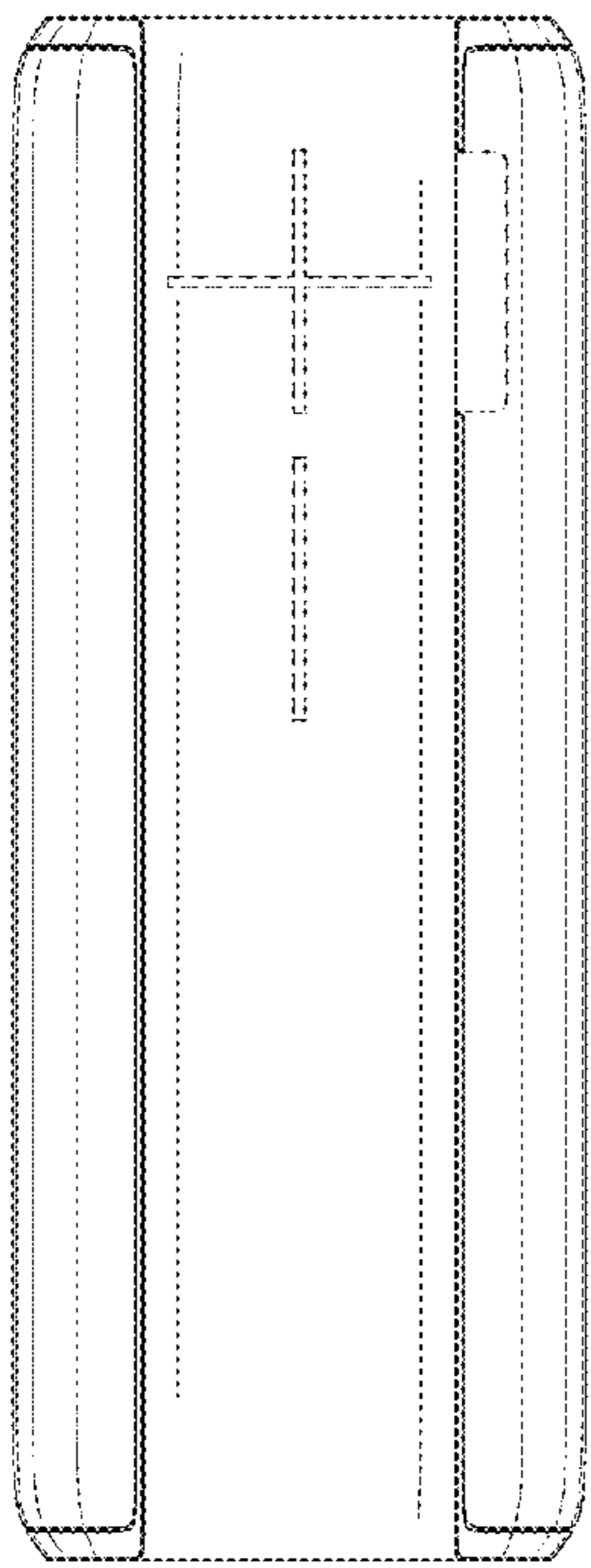


FIG. 2

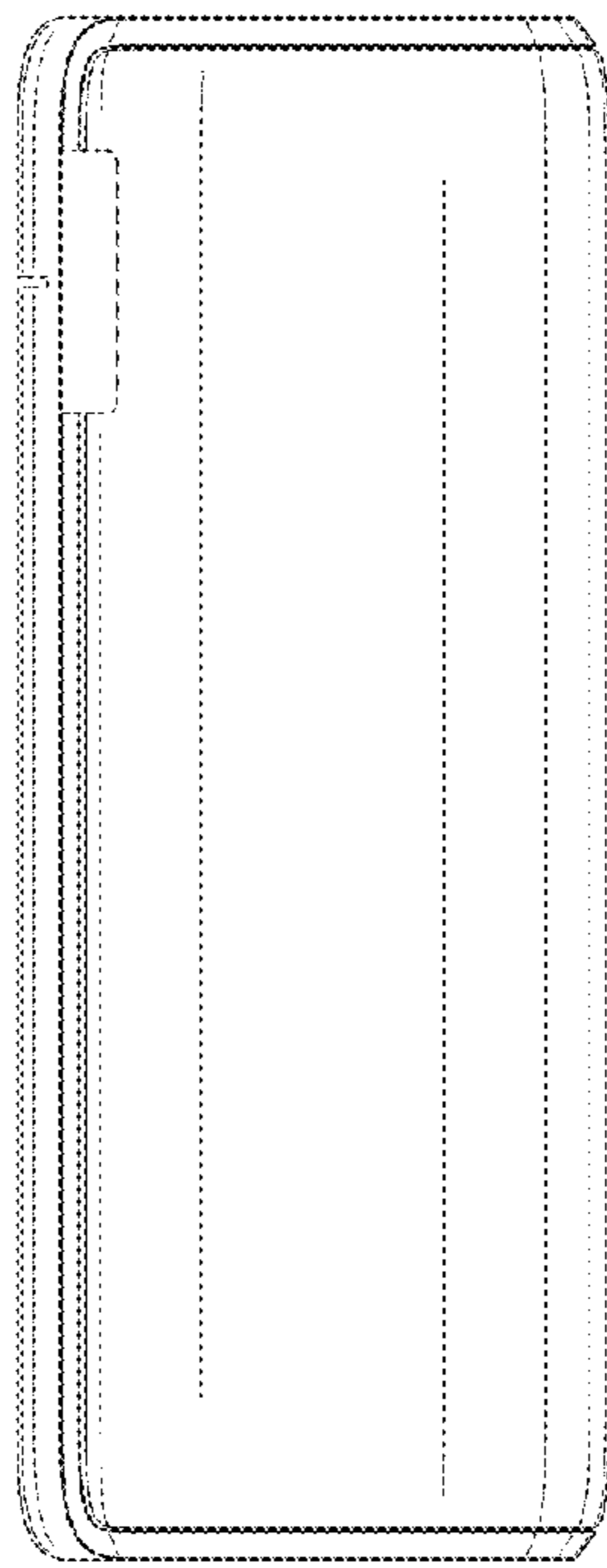


FIG. 3

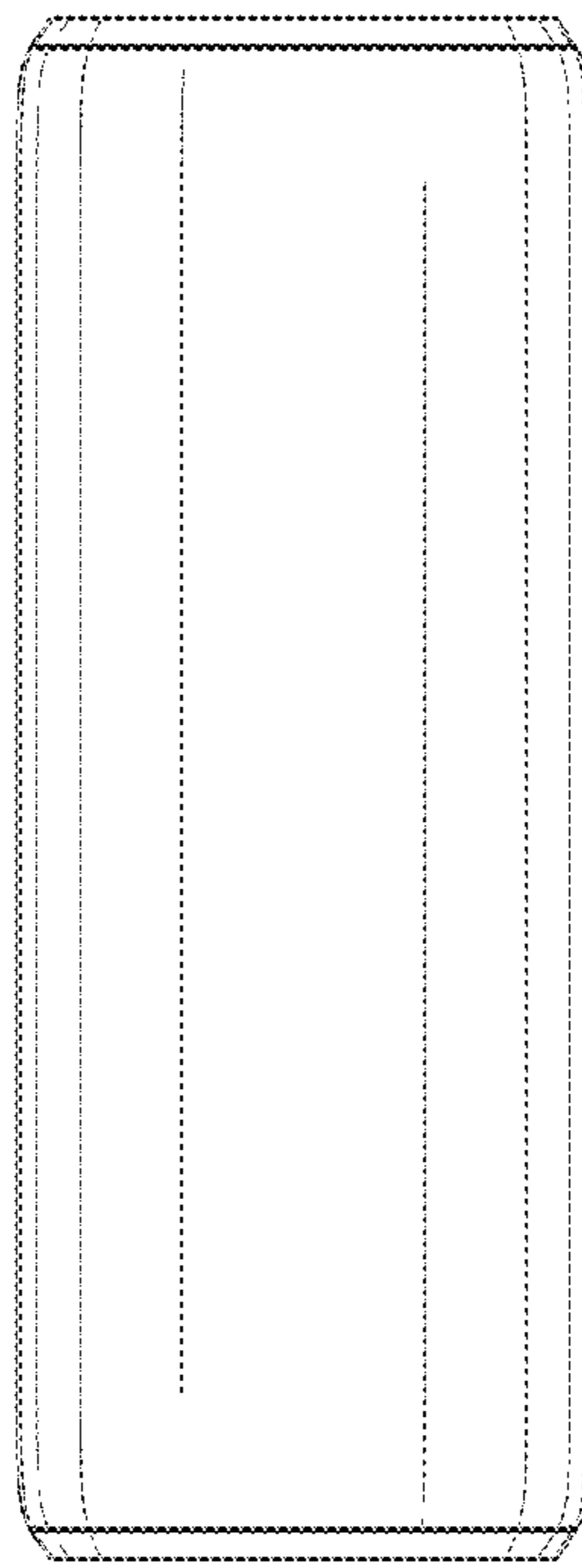


FIG. 4

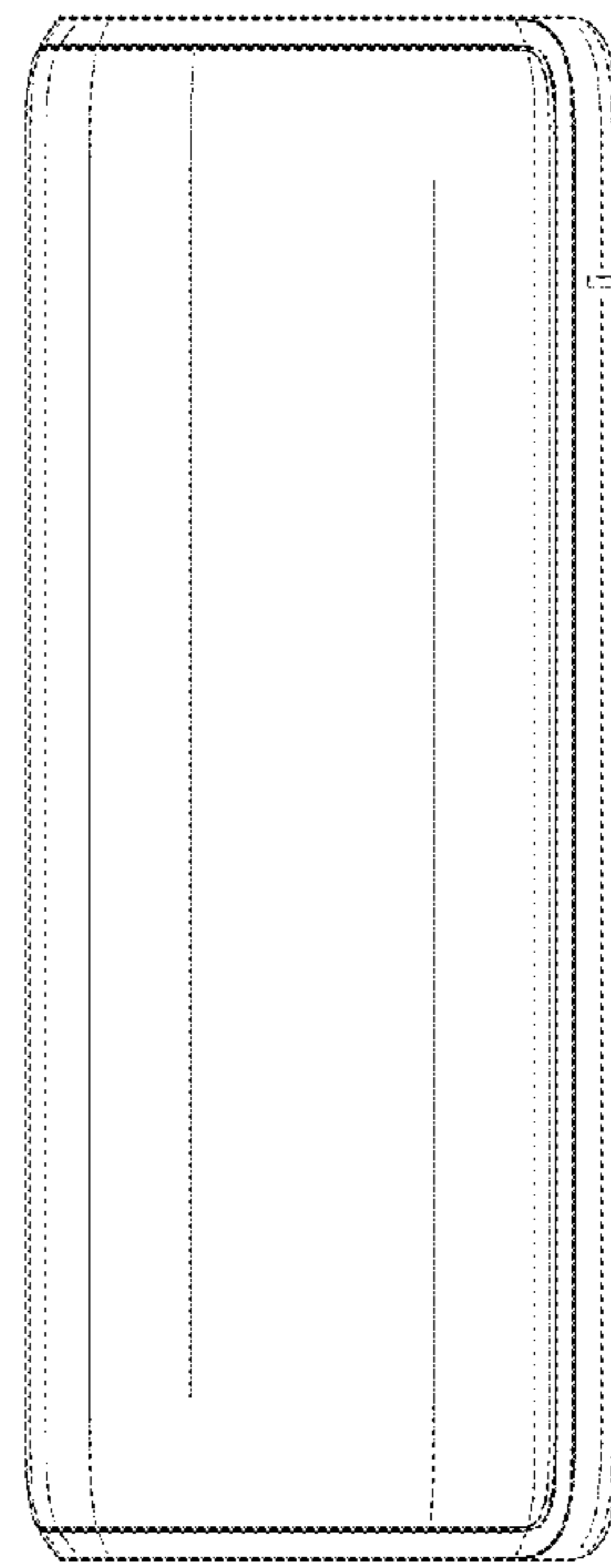


FIG. 5

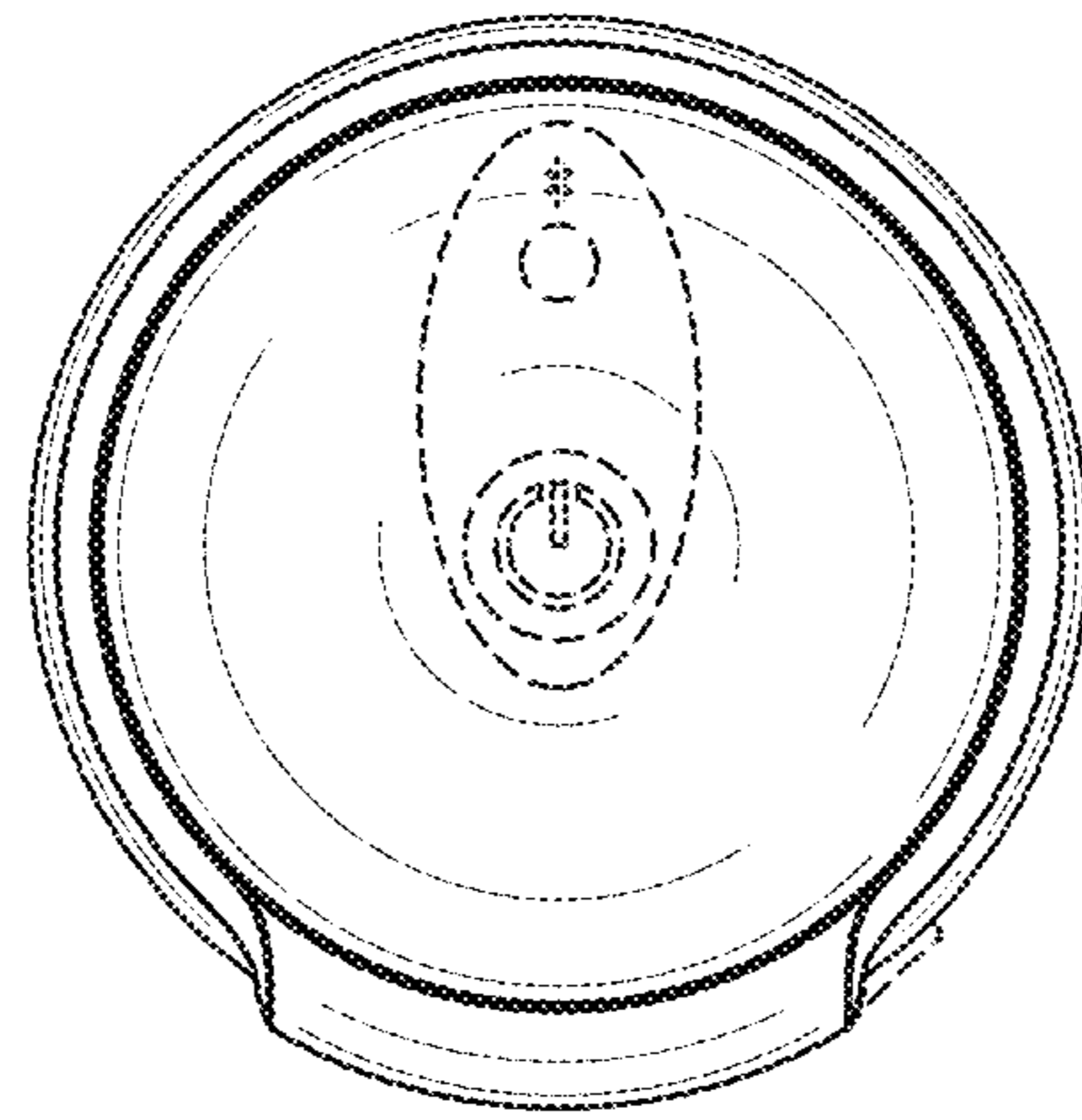


FIG. 6

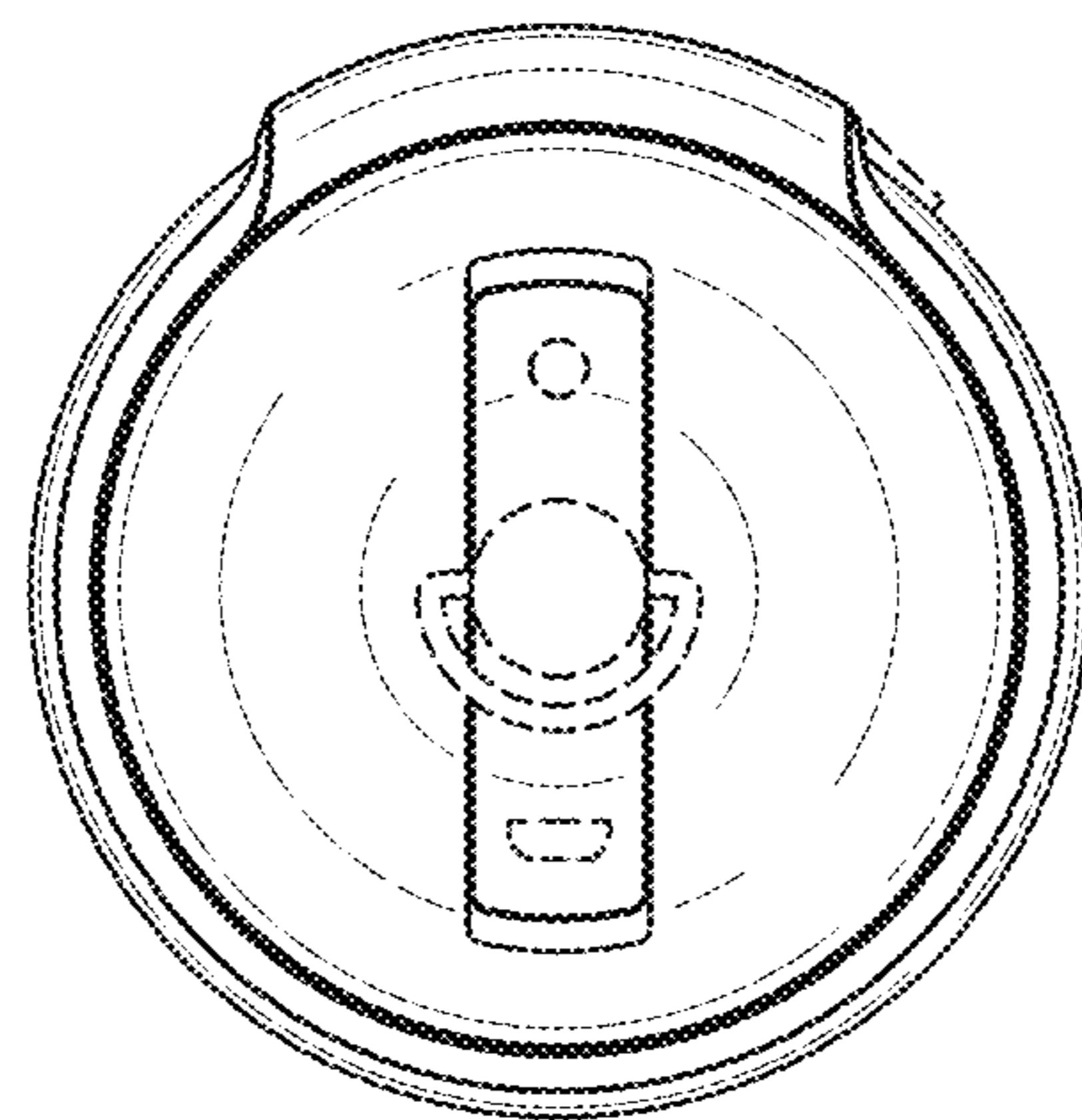


FIG. 7

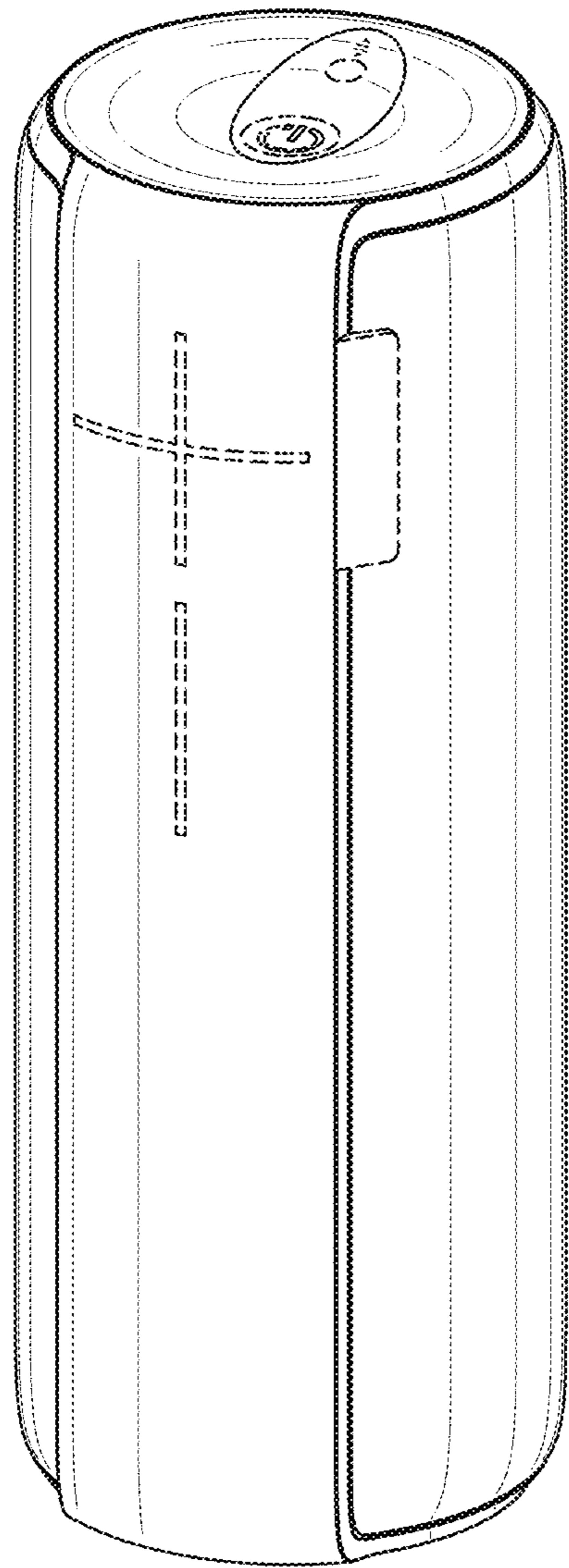


FIG. 8

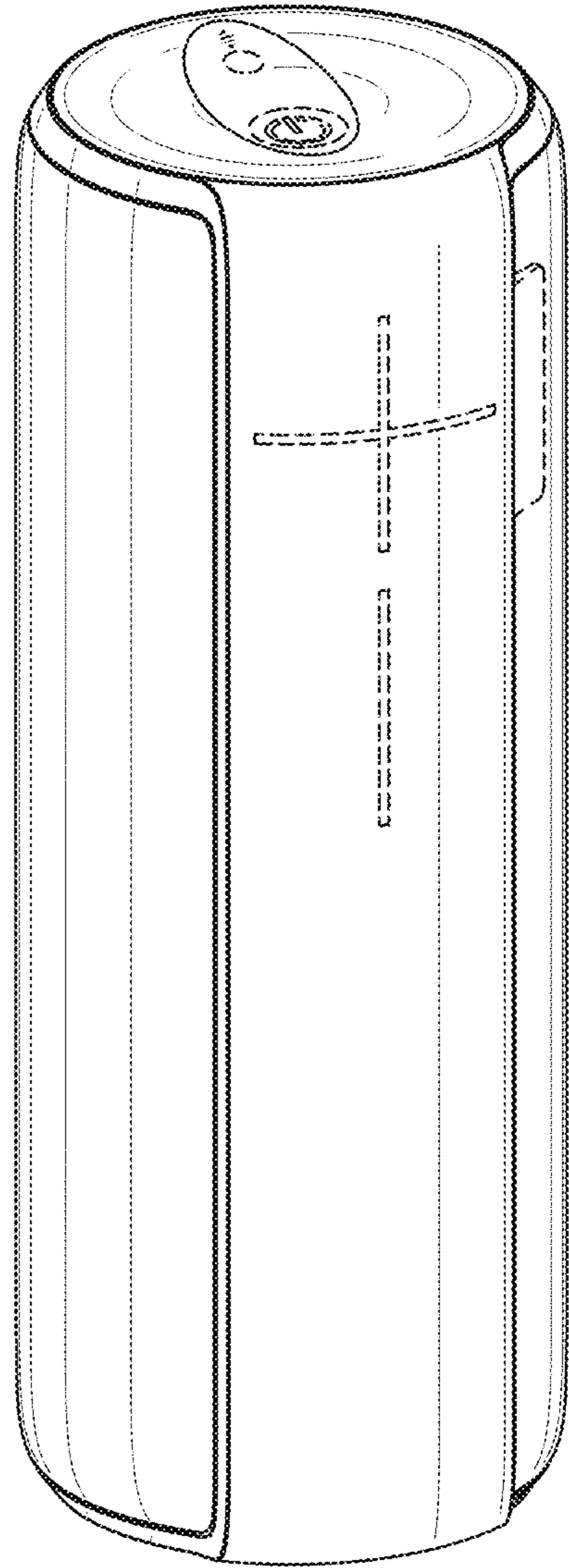


FIG. 9