



US00D758345S

(12) **United States Design Patent**
Fujioka

(10) **Patent No.:** **US D758,345 S**
(45) **Date of Patent:** **** Jun. 7, 2016**

(54) **CUBE SPEAKER**

(71) Applicant: **Fuhu Holdings, Inc.**, El Segundo, CA (US)

(72) Inventor: **Robb Fujioka**, Manhattan Beach, CA (US)

(73) Assignee: **Mattel, Inc.**, El Segundo, CA (US)

(**) Term: **14 Years**

(21) Appl. No.: **29/516,171**

(22) Filed: **Jan. 29, 2015**

(51) **LOC (10) Cl.** **14-03**

(52) **U.S. Cl.**
USPC **D14/214**

(58) **Field of Classification Search**

USPC D14/168, 170–172, 188, 194–196, 204, D14/207, 210–216, 219, 221, 222, 224, D14/496; 181/143, 144, 147, 148, 150, 153, 181/157, 198, 199; 381/300–303, 306, 332, 381/333, 336, 345, 361–364, 386–388
CPC B60R 11/0217; G06F 1/1688; H04M 1/03; H04M 1/035; H04R 1/02; H04R 1/06; H04R 1/021; H04R 1/025; H04R 1/026; H04R 1/028; H04R 1/105; H04R 1/323; H04R 1/403; H04R 1/2803; H04R 1/2834; H04R 5/02; H04R 7/20; H04R 9/06; H04R 9/025; H04R 2201/021; H04R 2400/00; H04R 2400/07; H04R 2499/11; H04R 2499/13; H04R 2499/15; H04S 3/00; H04S 7/30

See application file for complete search history.

(56) **References Cited**

U.S. PATENT DOCUMENTS

D580,952 S	*	11/2008	Liu	D14/496
D682,250 S	*	5/2013	Mattioli	D14/172
D690,280 S	*	9/2013	Schul	D14/168
D695,707 S	*	12/2013	Szymanski	D14/214
D695,708 S	*	12/2013	Szymanski	D14/214
D695,709 S	*	12/2013	Szymanski	D14/214
D695,711 S	*	12/2013	Szymanski	D14/214
D729,761 S	*	5/2015	Hu	D14/194

* cited by examiner

Primary Examiner — Keli L Hill

(74) *Attorney, Agent, or Firm* — Steptoe & Johnson LLP

(57) **CLAIM**

What is claimed is a cube speaker, as shown and described.

DESCRIPTION

FIG. 1 is a front, top and left perspective view of a cube speaker;
FIG. 2 is a rear, top and right perspective view of the cube speaker;
FIG. 3 is a front view of the cube speaker;
FIG. 4 is a rear view of the cube speaker;
FIG. 5 is a top view of the cube speaker;
FIG. 6 is a bottom view of the cube speaker;
FIG. 7 is a left side view of the cube speaker; and,
FIG. 8 is a right side view of the cube speaker.
The broken lines shown are included for the purpose of illustrating portions of the cube speaker that form no part of the claim.

1 Claim, 4 Drawing Sheets

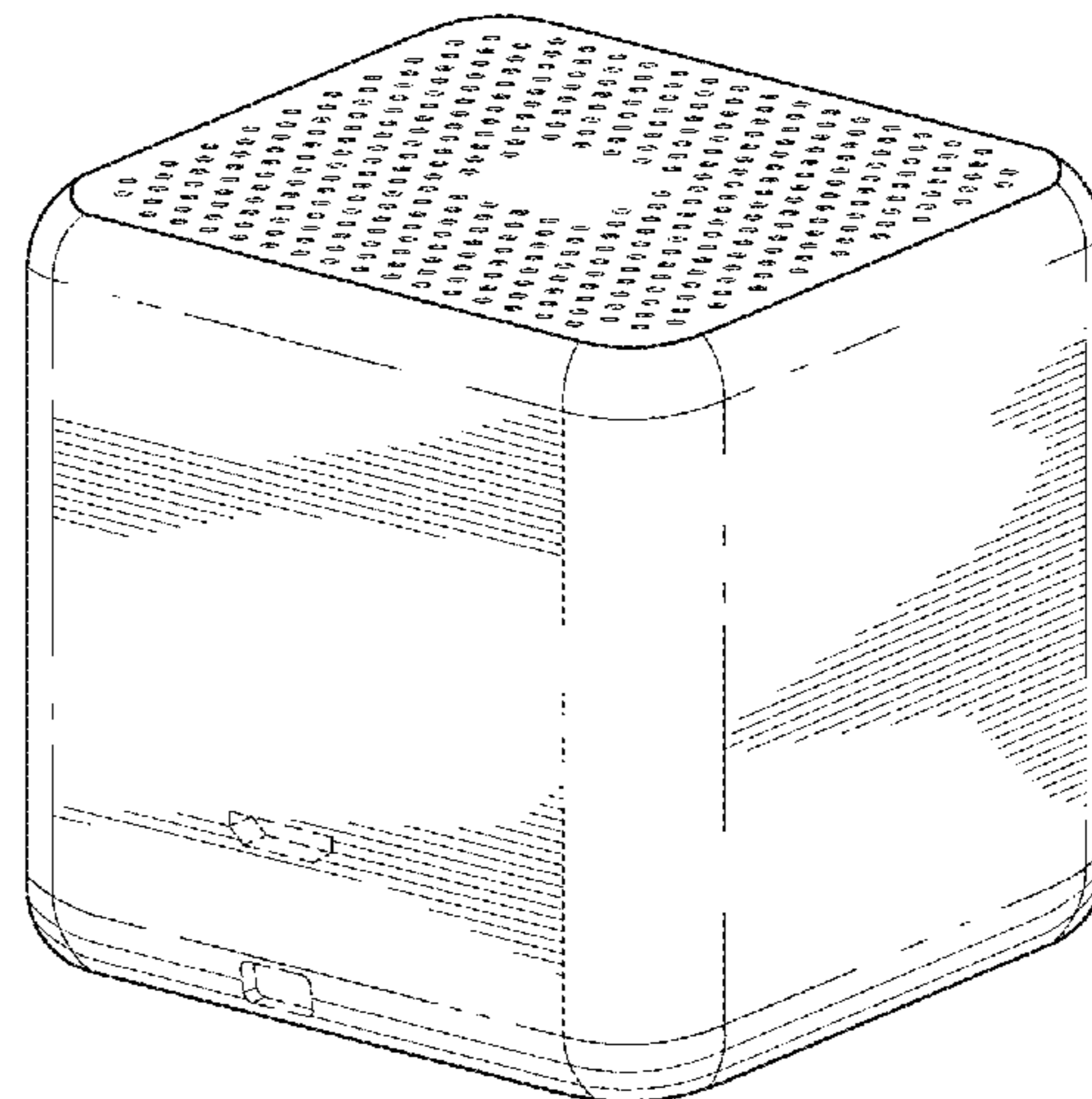
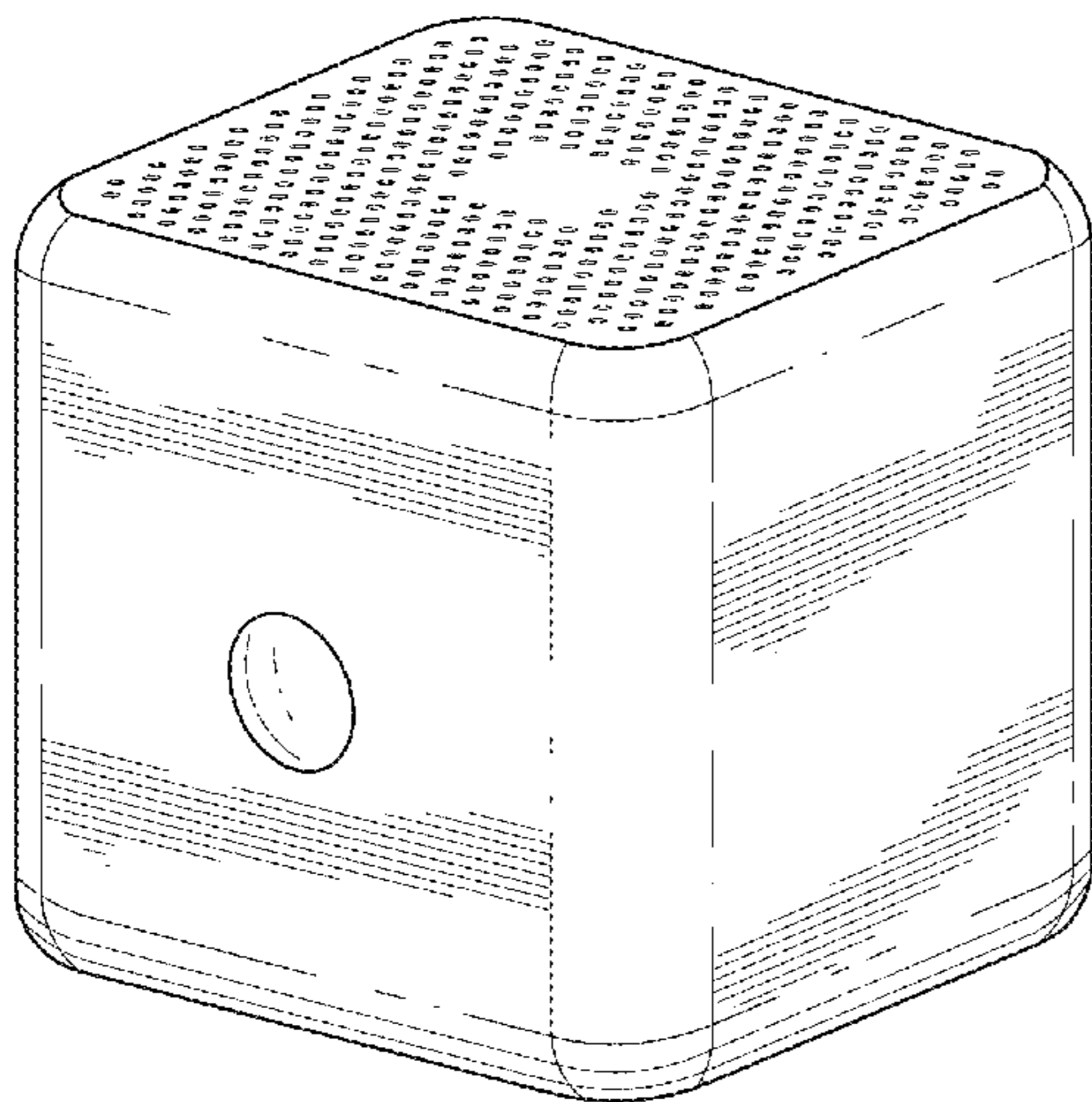


FIG. 1

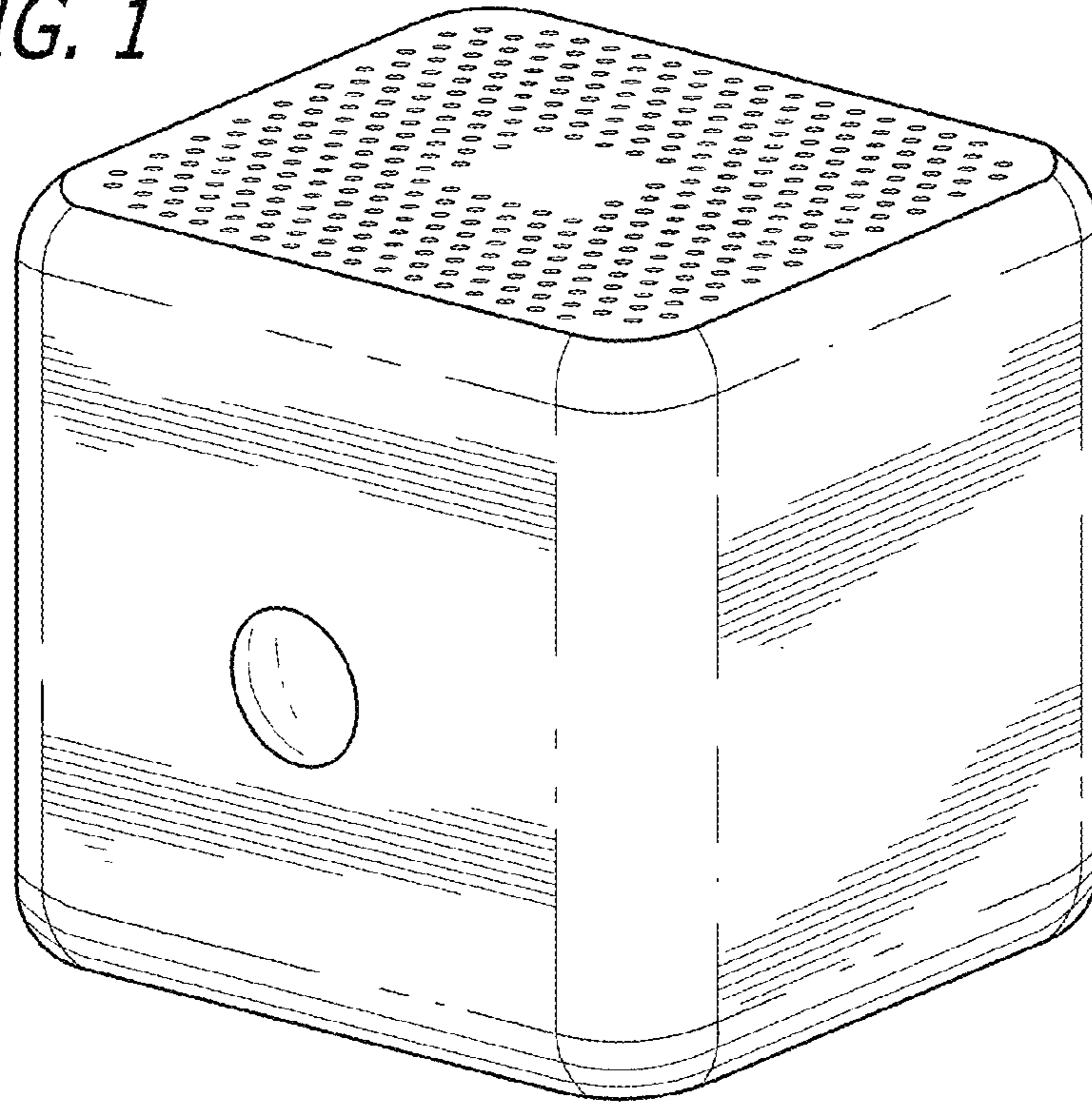
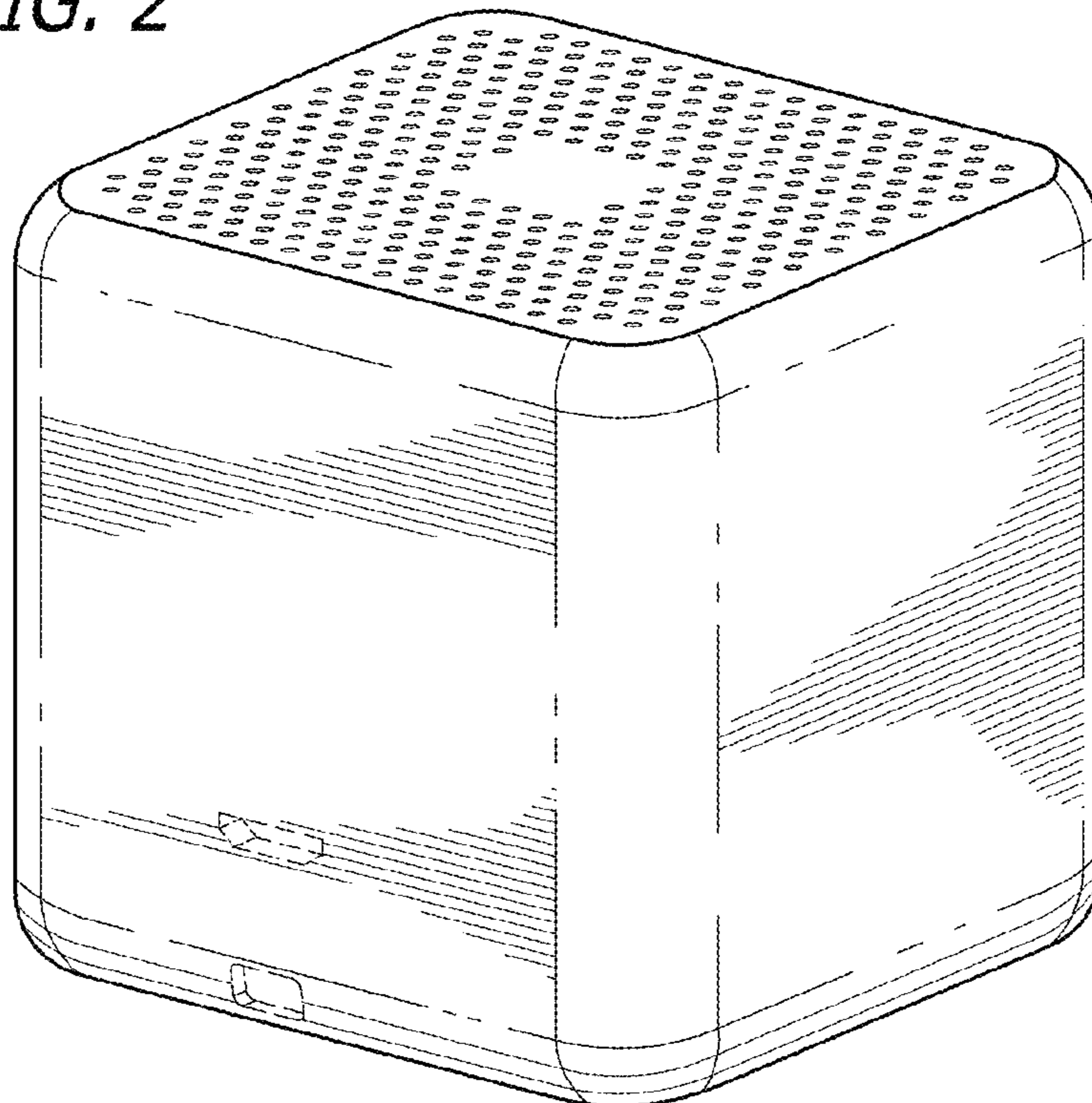


FIG. 2



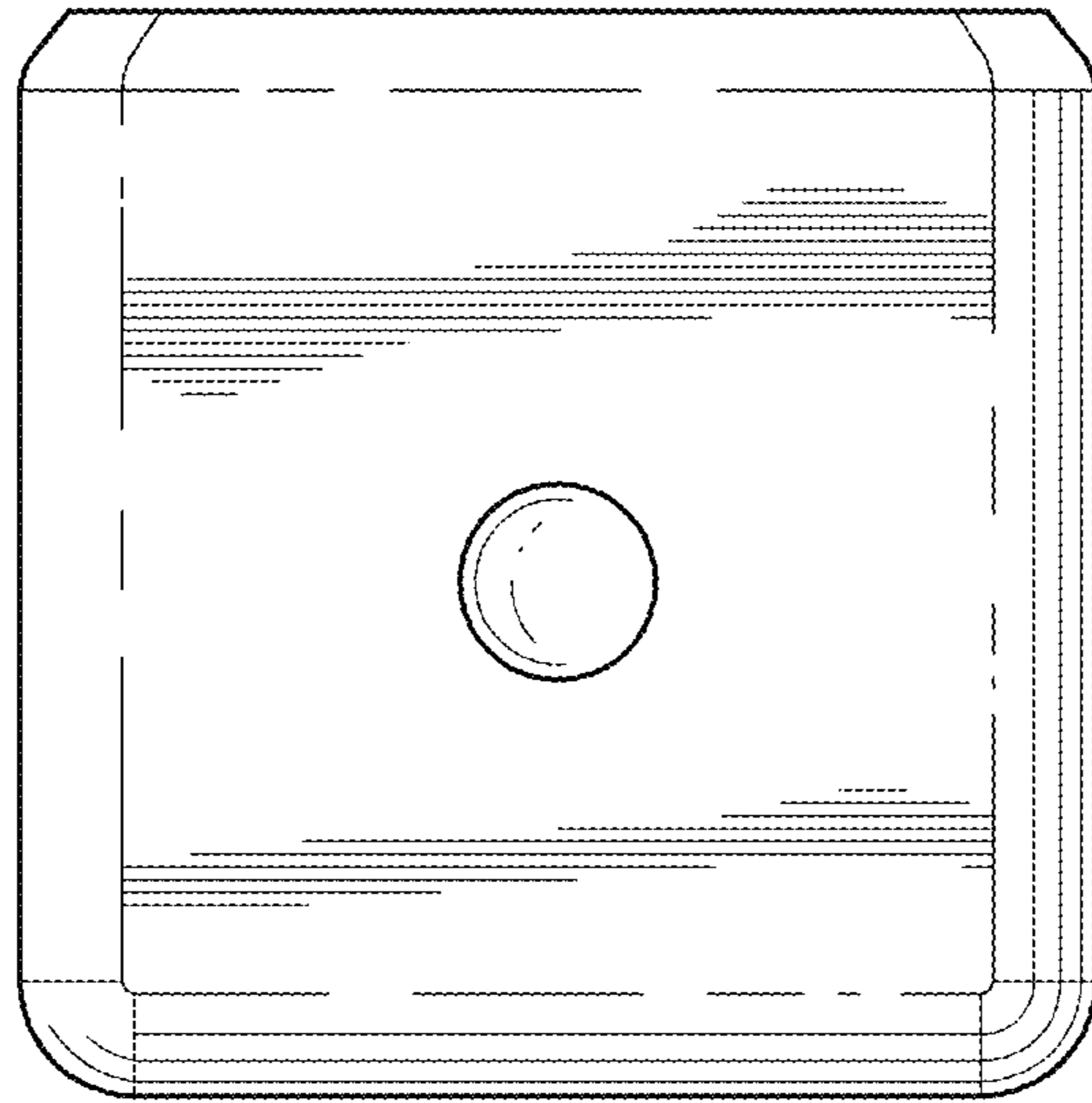


FIG. 3

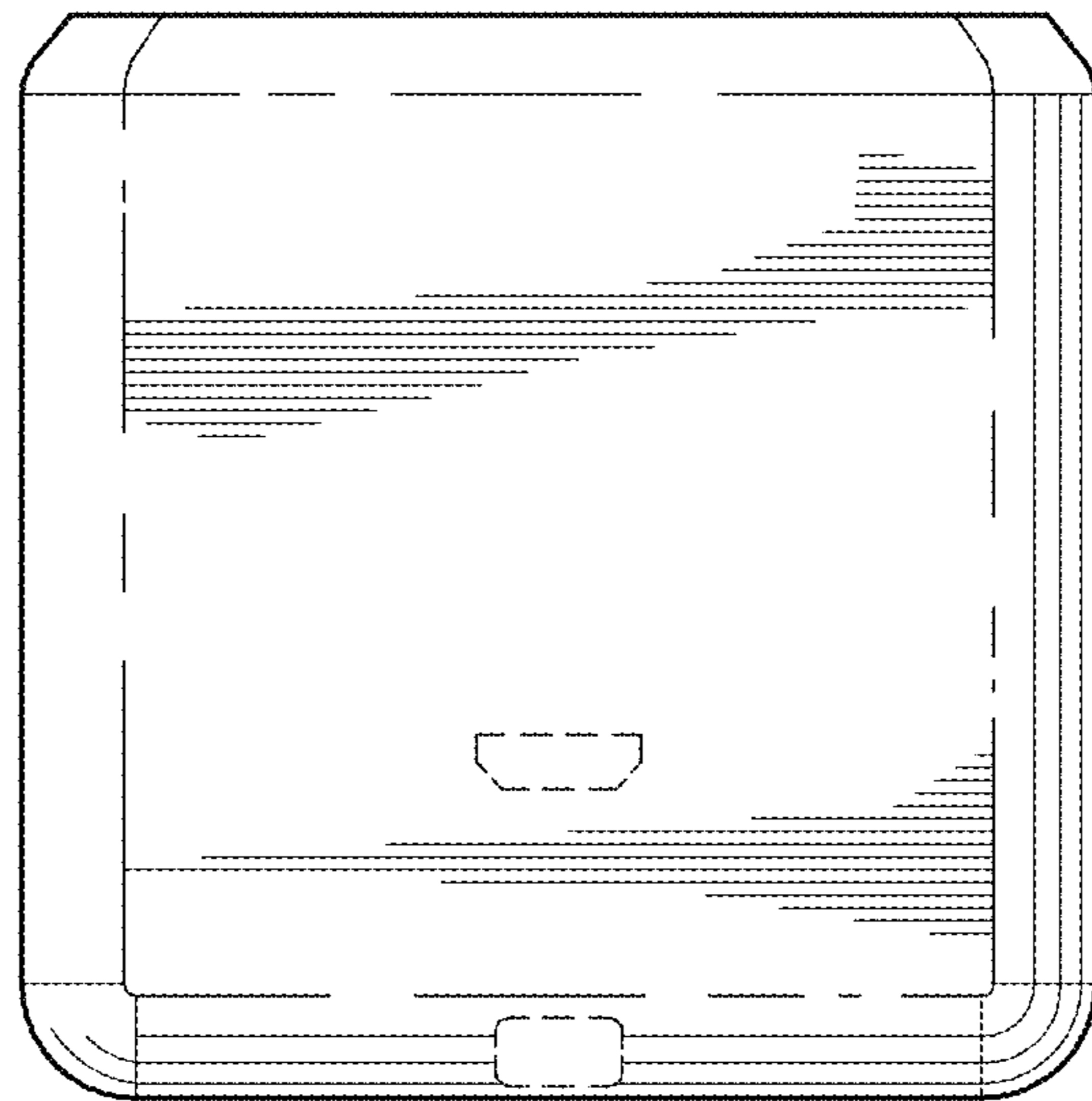


FIG. 4

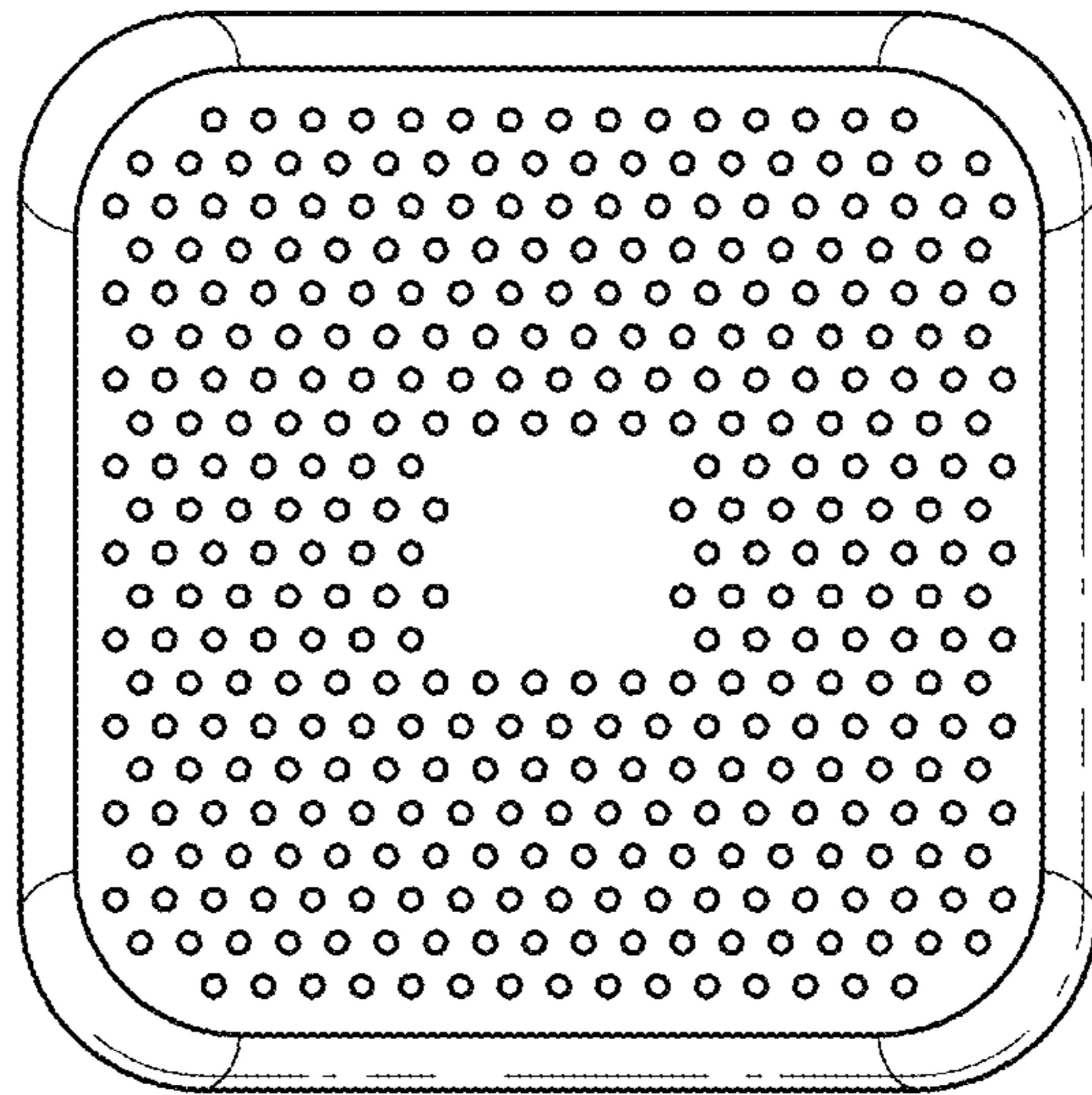


FIG. 5

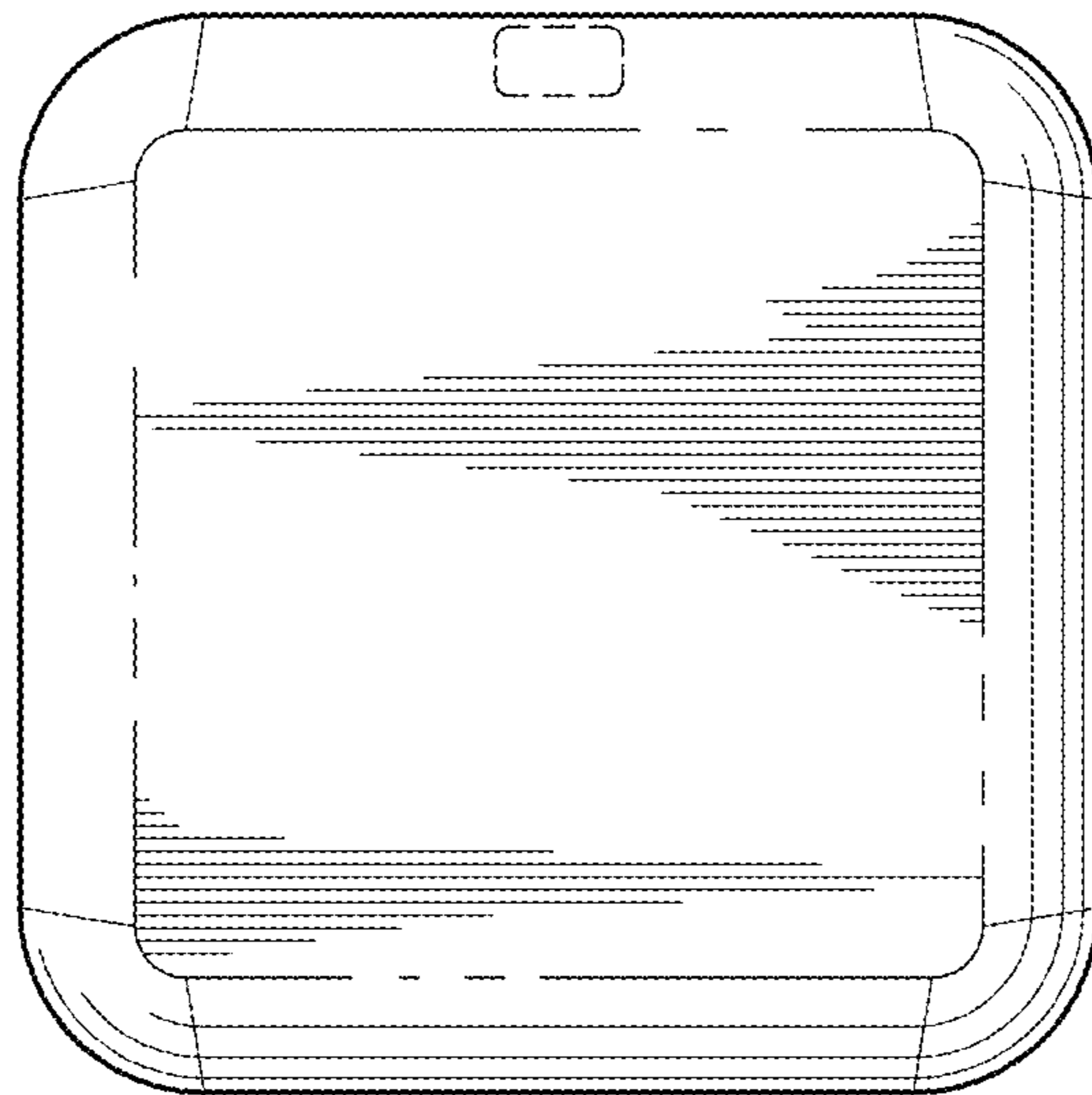


FIG. 6

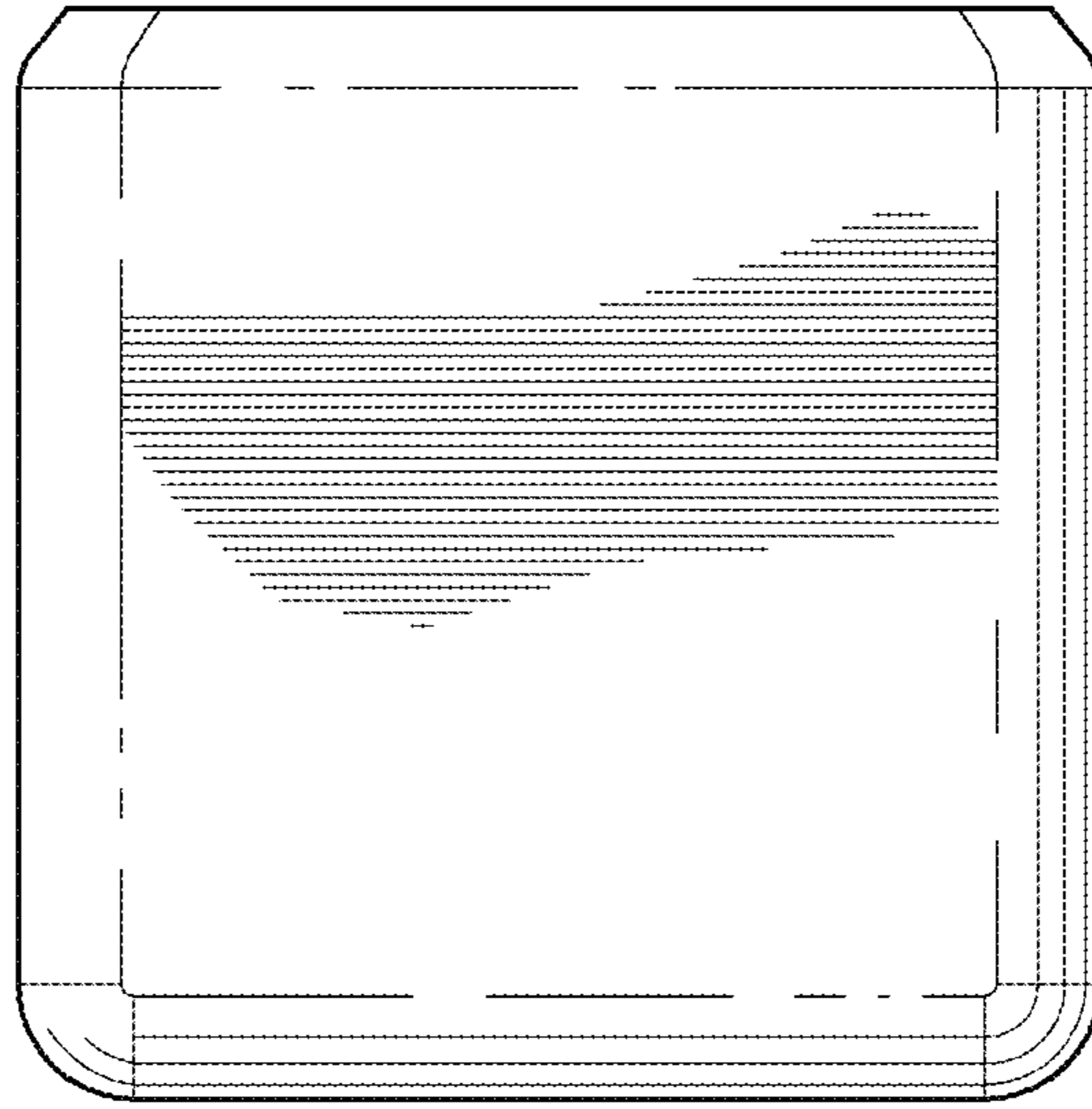


FIG. 7

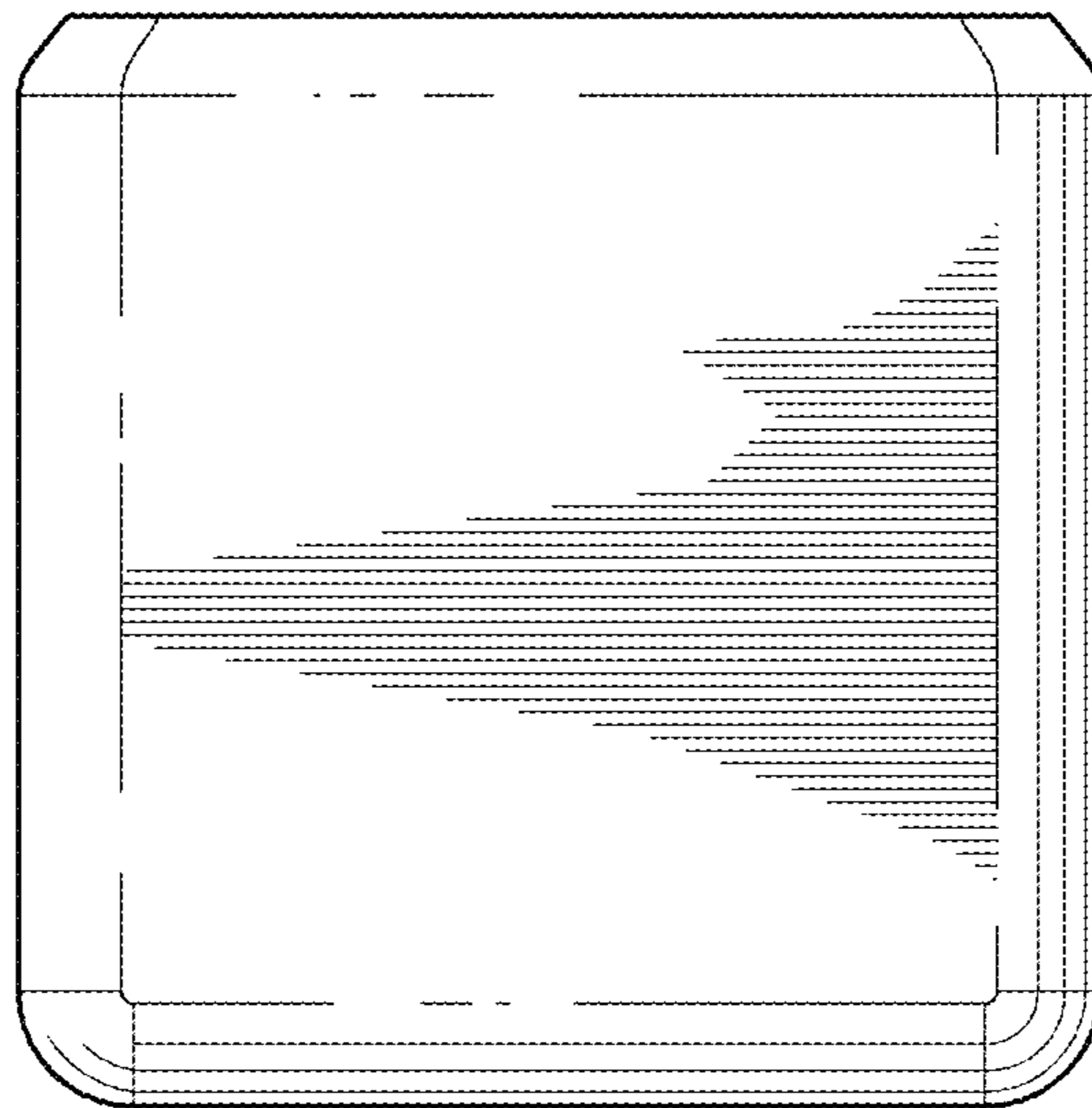


FIG. 8