



US00D758344S

(12) **United States Design Patent**
Nakamura

(10) **Patent No.:** **US D758,344 S**
(45) **Date of Patent:** **** Jun. 7, 2016**

(54) **WIRELESS SPEAKER**

(71) Applicant: **BEM Wireless LLC**, Woodstock, IL
(US)

(72) Inventor: **Michael Nakamura**, Crystal Lake, IL
(US)

(73) Assignee: **BEM Wireless, LLC**, Woodstock, IL
(US)

(**) Term: **14 Years**

(21) Appl. No.: **29/515,427**

(22) Filed: **Jan. 22, 2015**

(51) **LOC (10) Cl.** **14-03**

(52) **U.S. Cl.**
USPC **D14/214**

(58) **Field of Classification Search**
USPC D14/168, 170–172, 188, 194–196, 204,
D14/207, 210–216, 219, 221, 222, 224,
D14/496; 181/143, 144, 147, 148, 150, 153,
181/157, 198, 199; 381/300–303, 306, 332,
381/333, 336, 345, 361–364, 386–388
CPC B60R 11/0217; G06F 1/1688; H04M 1/03;
H04M 1/035; H04R 1/02; H04R 1/06; H04R
1/021; H04R 1/025; H04R 1/026; H04R
1/028; H04R 1/105; H04R 1/323; H04R
1/403; H04R 1/2803; H04R 1/2834; H04R
5/02; H04R 7/20; H04R 9/06; H04R 9/025;
H04R 2201/021; H04R 2400/00; H04R
2400/07; H04R 2499/11; H04R 2499/13;
H04R 2499/15; H04S 3/00; H04S 7/30

See application file for complete search history.

(56) **References Cited**

U.S. PATENT DOCUMENTS

D597,064 S *	7/2009	Machida	D14/167
D621,384 S *	8/2010	Kao	D14/214
D710,328 S *	8/2014	Kim	D14/212
D713,381 S *	9/2014	Riggs	D14/214
D718,277 S *	11/2014	Yamamoto	D14/214
D729,762 S *	5/2015	Hu	D14/194
D734,739 S *	7/2015	Green	D14/214
D738,854 S *	9/2015	Babcock	D14/214

* cited by examiner

Primary Examiner — Keli L Hill

(74) *Attorney, Agent, or Firm* — Scherrer Patent &
Trademark Law, P.C.; Stephen T. Scherrer; Monique A.
Morneault

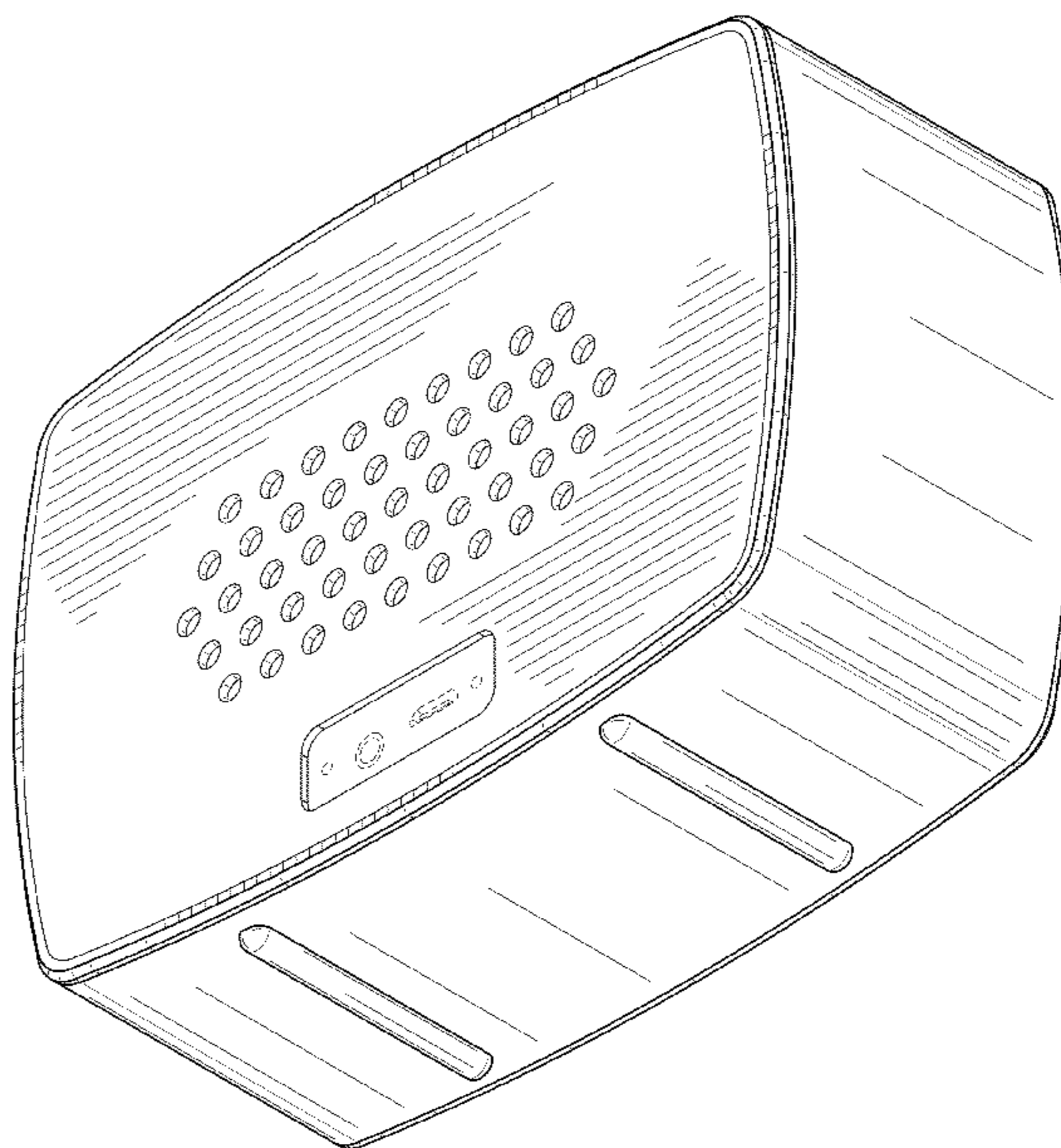
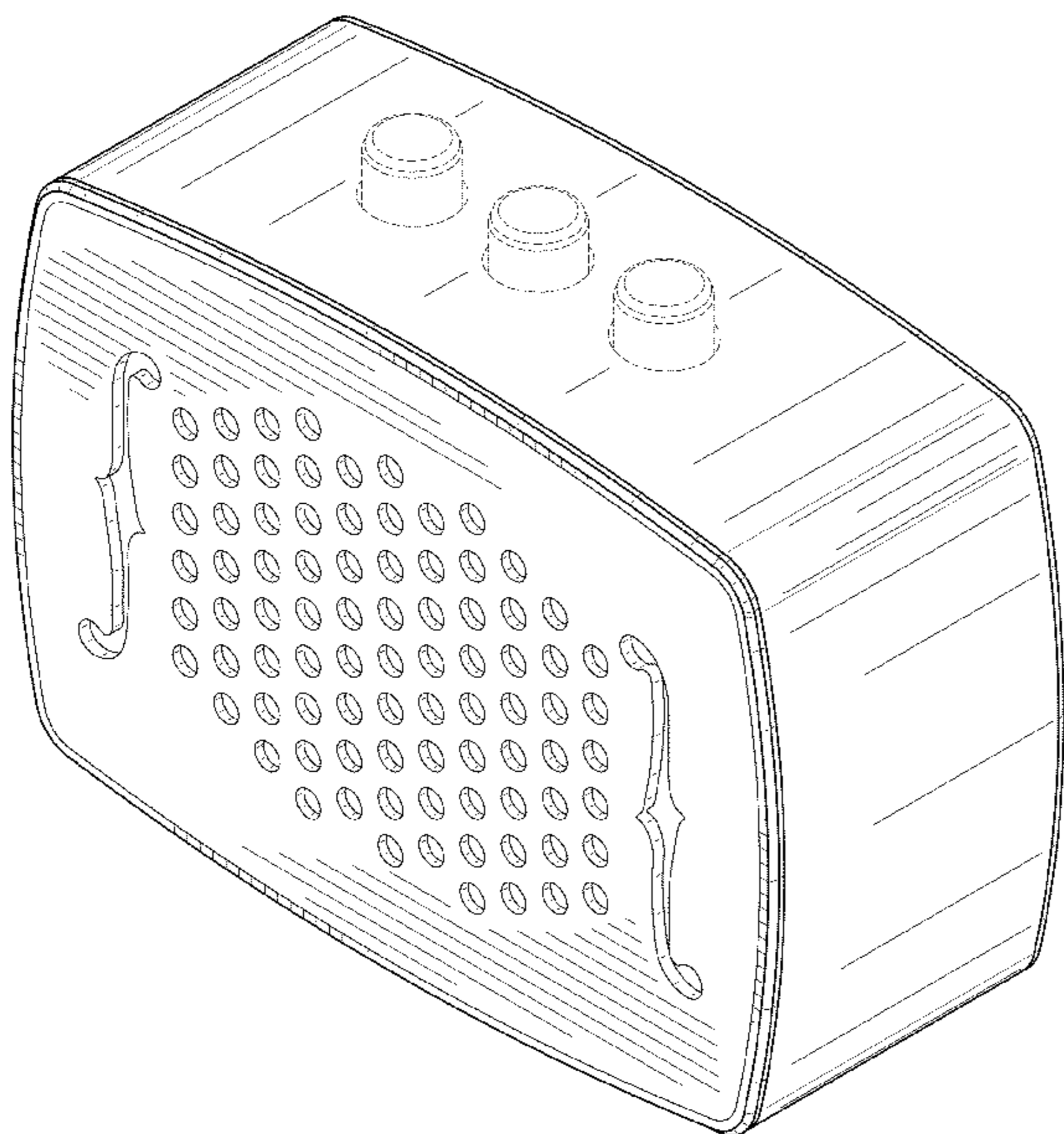
(57) **CLAIM**

The ornamental design for a wireless speaker, as shown and
described.

DESCRIPTION

FIG. 1 is an elevated isometric view of a wireless speaker;
FIG. 2 is a lower isometric view of a wireless speaker;
FIG. 3 is a top side view of a wireless speaker;
FIG. 4 is a bottom side view of a wireless speaker;
FIG. 5 is a right side view of a wireless speaker;
FIG. 6 is a front side view of a wireless speaker; and,
FIG. 7 is a back side view of a wireless speaker.
The broken lines depict unclaimed environmental subject
matter.

1 Claim, 6 Drawing Sheets



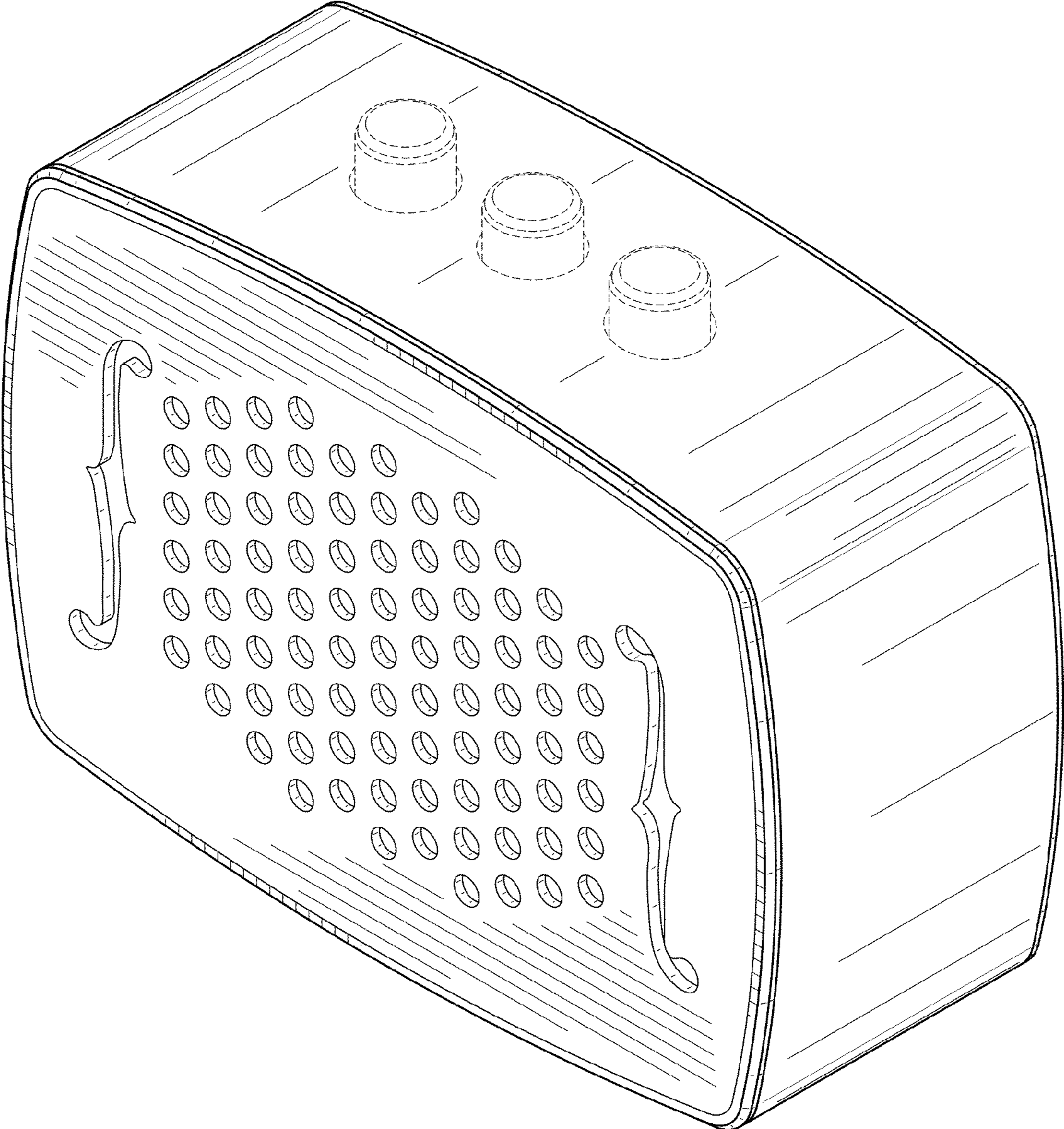


FIG. 1

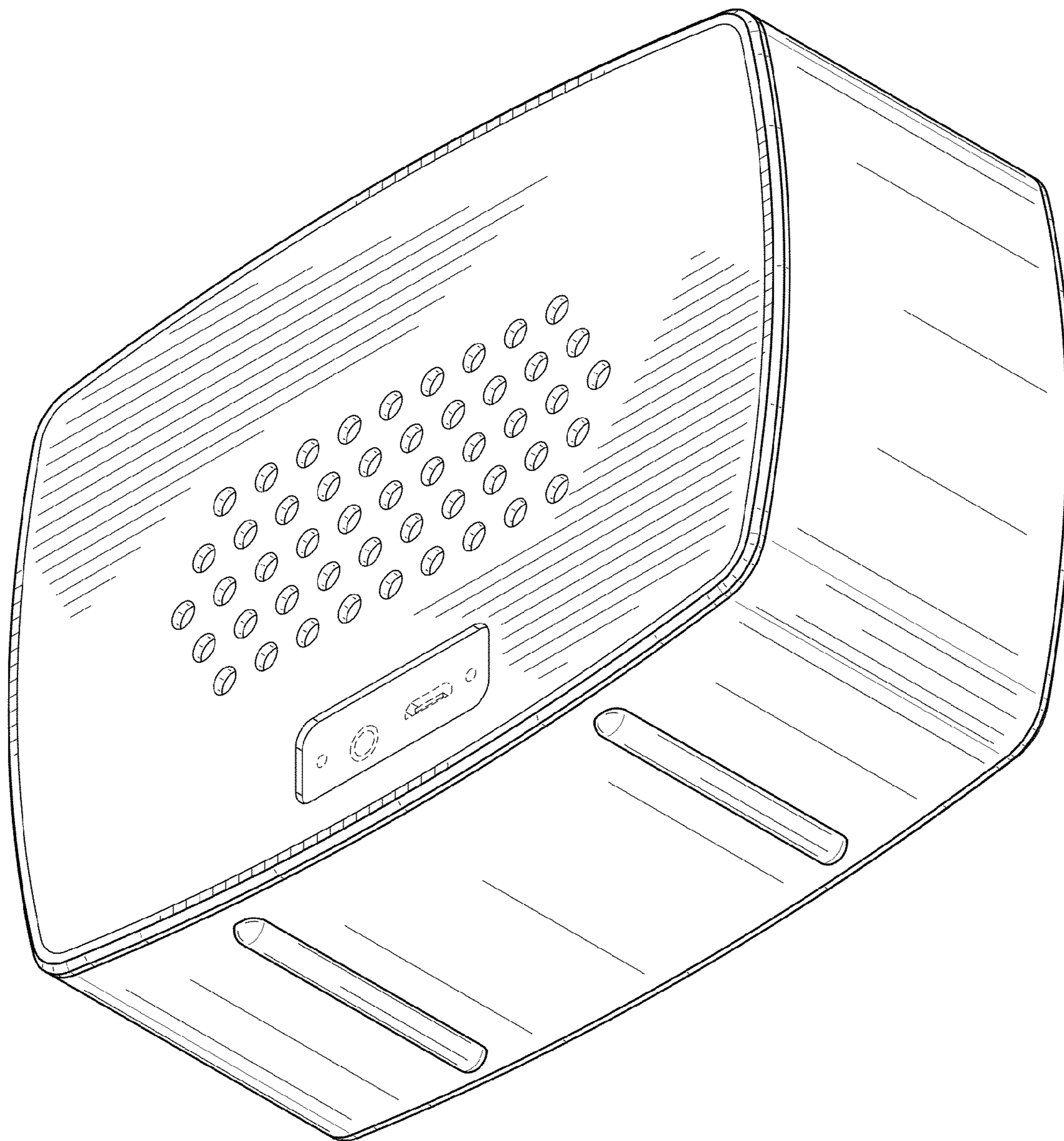


FIG. 2

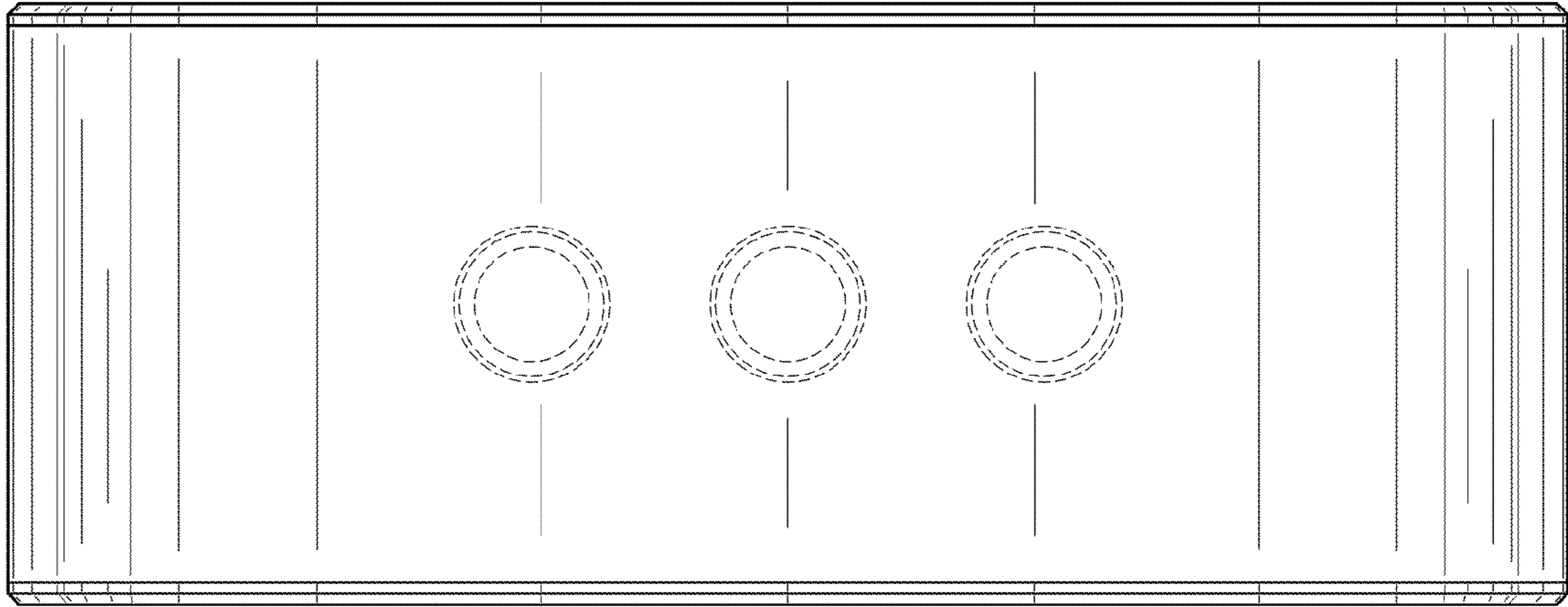


FIG. 3

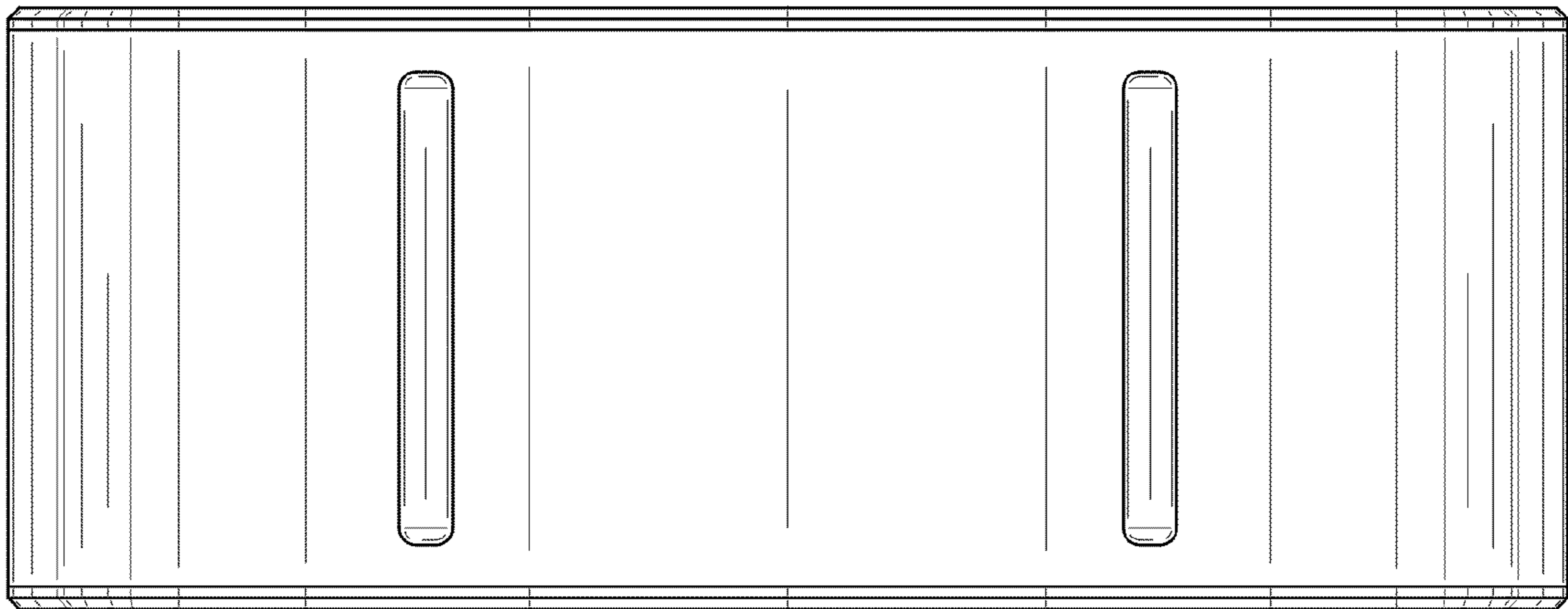


FIG. 4

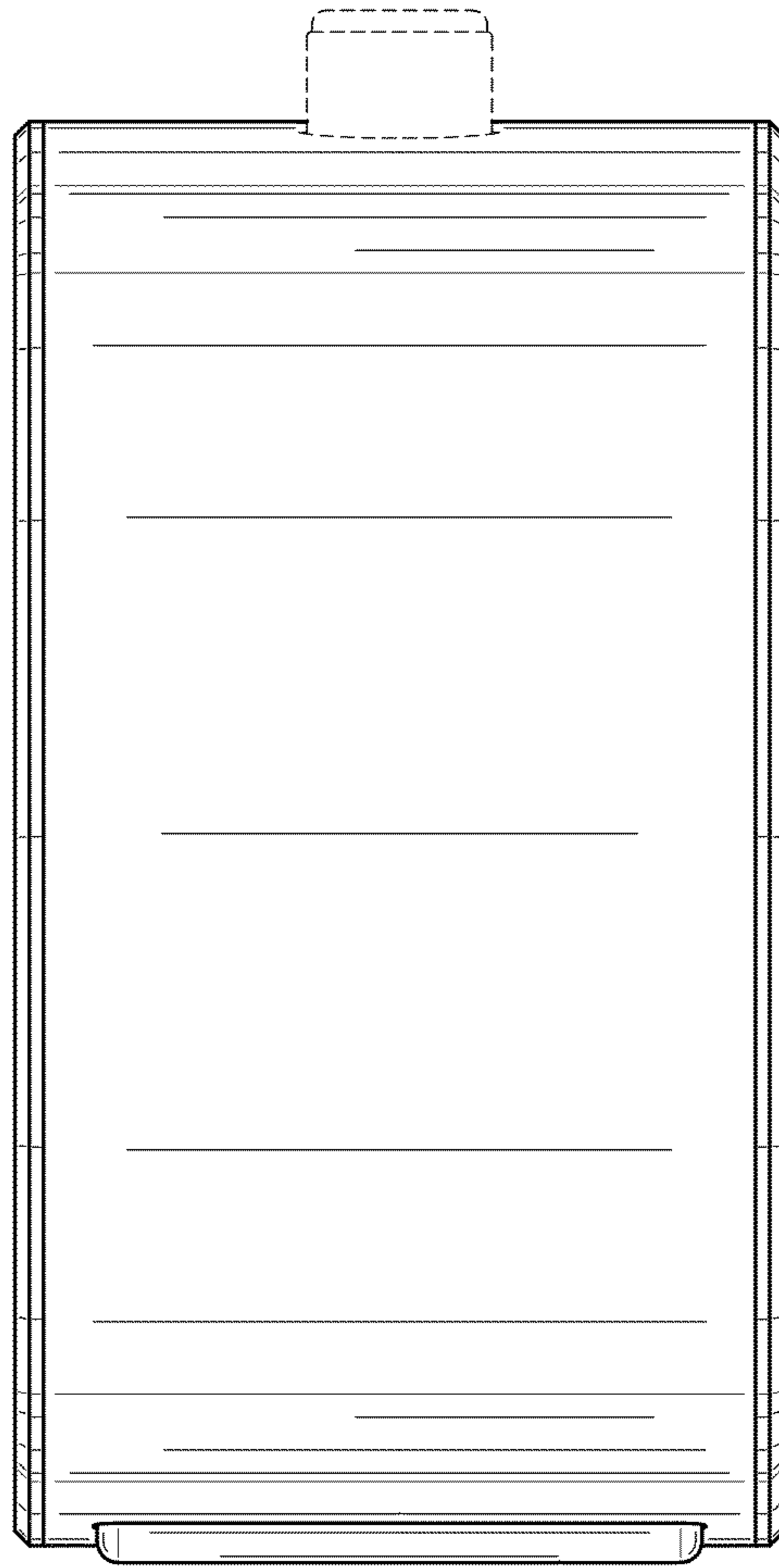


FIG. 5

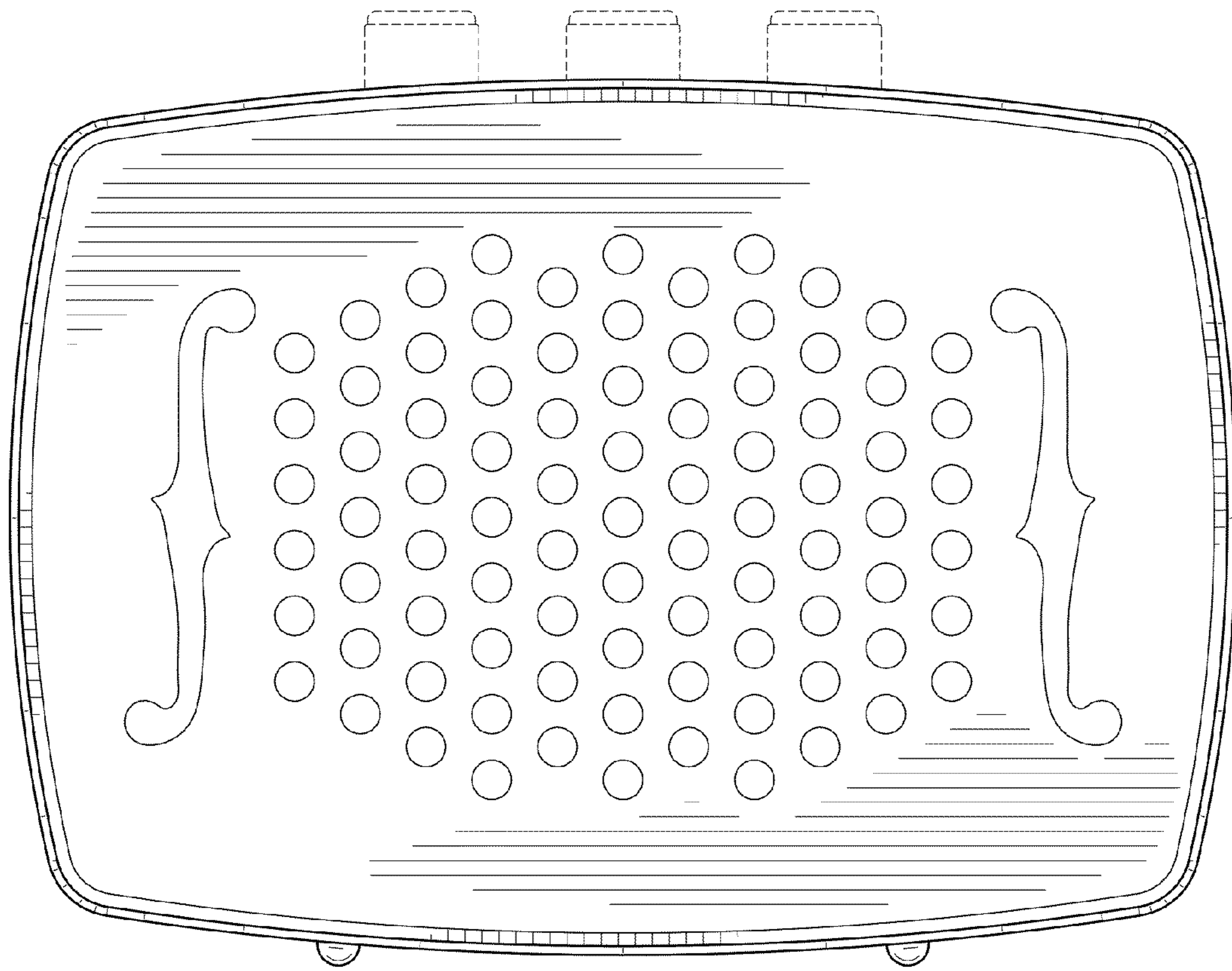


FIG. 6

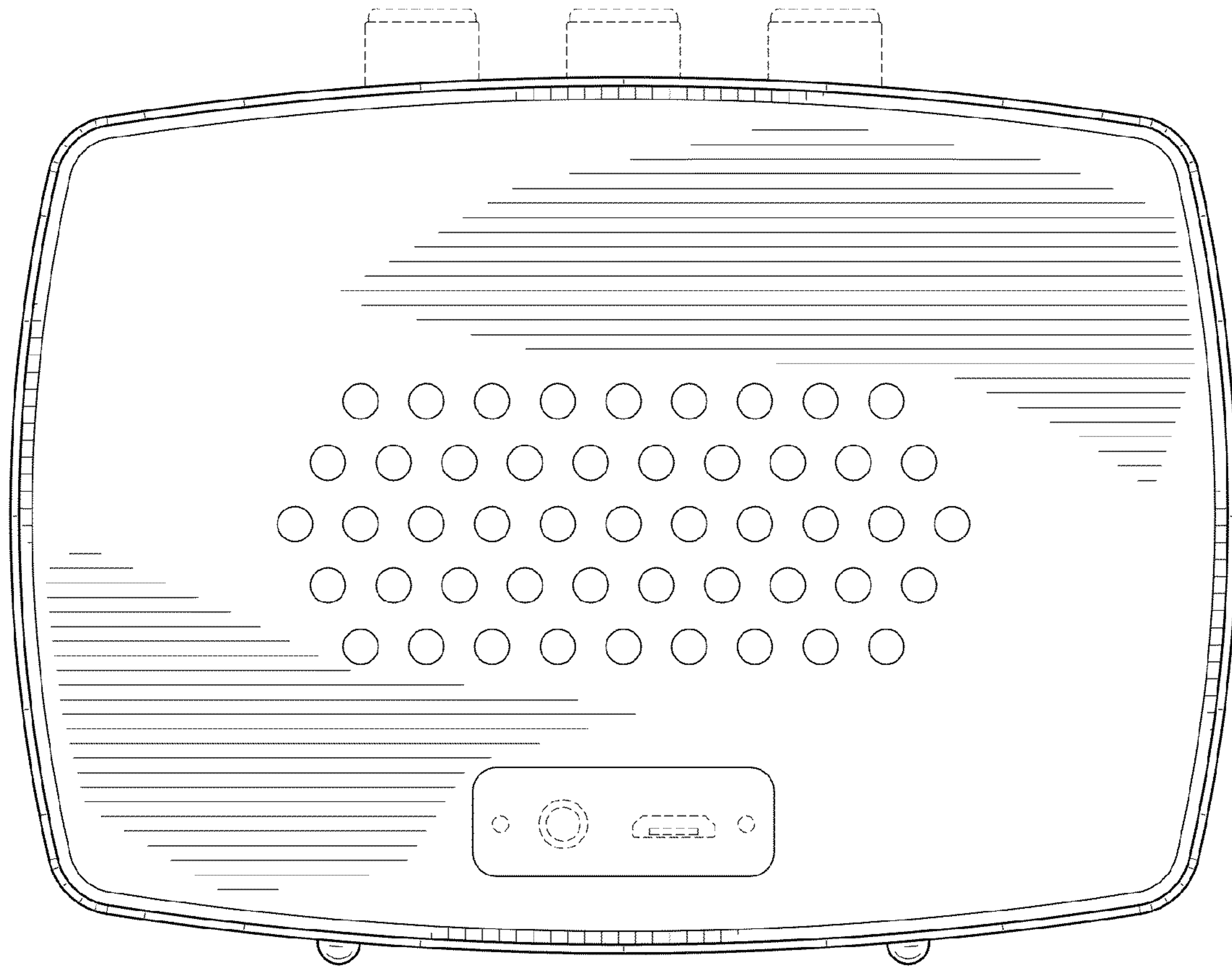


FIG. 7