



US00D758341S

(12) **United States Design Patent**
Ding et al.

(10) **Patent No.:** **US D758,341 S**
(45) **Date of Patent:** **** Jun. 7, 2016**

(54) **LOUDSPEAKER BOX**

(71) Applicant: **HUAWEI DEVICE CO., LTD.**,
Guangdong (CN)

(72) Inventors: **Yuan Ding**, Guangdong (CN); **Shuo Zhang**, Guangdong (CN)

(73) Assignee: **Huawei Device Co., LTD.** (CN)

(**) Term: **14 Years**

(21) Appl. No.: **29/495,906**

(22) Filed: **Jul. 7, 2014**

(30) **Foreign Application Priority Data**

Jan. 7, 2014 (CN) 2014 3 0003883

(51) **LOC (10) Cl.** **14-01**

(52) **U.S. Cl.**
USPC **D14/209.1**

(58) **Field of Classification Search**
USPC D14/209.1, 211, 214, 194, 198, 137,
D14/188; 181/150–153, 157, 198, 199;
381/300–306, 345, 361–364

CPC H04R 1/02
See application file for complete search history.

(56) **References Cited**

U.S. PATENT DOCUMENTS

D144,887 S * 6/1946 Blazey 312/7.1
D176,480 S * 12/1955 Peterti D14/194
D238,610 S * 1/1976 Ohta D14/192
D239,465 S * 4/1976 Kawamura D14/194
D239,734 S * 4/1976 Vong D14/192
D247,493 S * 3/1978 Kushida D14/194
D262,880 S * 2/1982 van de Ven D10/15
D277,575 S * 2/1985 Hisano D14/194
4,639,225 A * 1/1987 Washizuka G09B 5/065
273/148 B
D301,846 S * 6/1989 Beyer D14/163
D312,640 S * 12/1990 Taniguchi D14/194
D314,768 S * 2/1991 Taniguchi D14/171
5,001,775 A * 3/1991 Hayashi H03J 5/0281
455/158.5
D317,007 S * 5/1991 Shintani D14/210
D325,382 S * 4/1992 Pepall D14/194

D330,554 S * 10/1992 Imazeki D14/198
D342,520 S * 12/1993 Totsuka D10/2
D358,394 S * 5/1995 Dyas D14/137
D360,368 S * 7/1995 Pickett D10/15
5,471,659 A * 11/1995 Wong H04B 1/086
455/132
D367,277 S * 2/1996 Moshe D14/196
D401,937 S * 12/1998 Isonaga D14/194
D515,068 S * 2/2006 White D14/188
D540,782 S * 4/2007 Katsumata D14/214
D579,915 S * 11/2008 Yeo D14/214
D584,287 S * 1/2009 Pauschitz D14/214
D613,725 S * 4/2010 Chen D14/194
D620,921 S * 8/2010 Skurdal D14/209.1
D620,923 S * 8/2010 Orfali D14/168
D636,759 S * 4/2011 Chen D14/214
D647,505 S * 10/2011 Skurdal D14/209.1
D652,020 S * 1/2012 Behar D14/214
D690,286 S * 9/2013 Petersen D14/209.1
D713,381 S * 9/2014 Riggs D14/214
D718,277 S * 11/2014 Yamamoto D14/214
D726,144 S * 4/2015 Kang D14/204
D728,515 S * 5/2015 Lee D14/209.1
D730,314 S * 5/2015 Chapman D14/204
D733,682 S * 7/2015 Kelly D14/215
D733,683 S * 7/2015 Faerber D14/215
D743,937 S * 11/2015 Farr D14/214
9,226,056 B2 * 12/2015 Pan H04R 1/025

* cited by examiner

Primary Examiner — Paula Greene

(74) *Attorney, Agent, or Firm* — Design IP

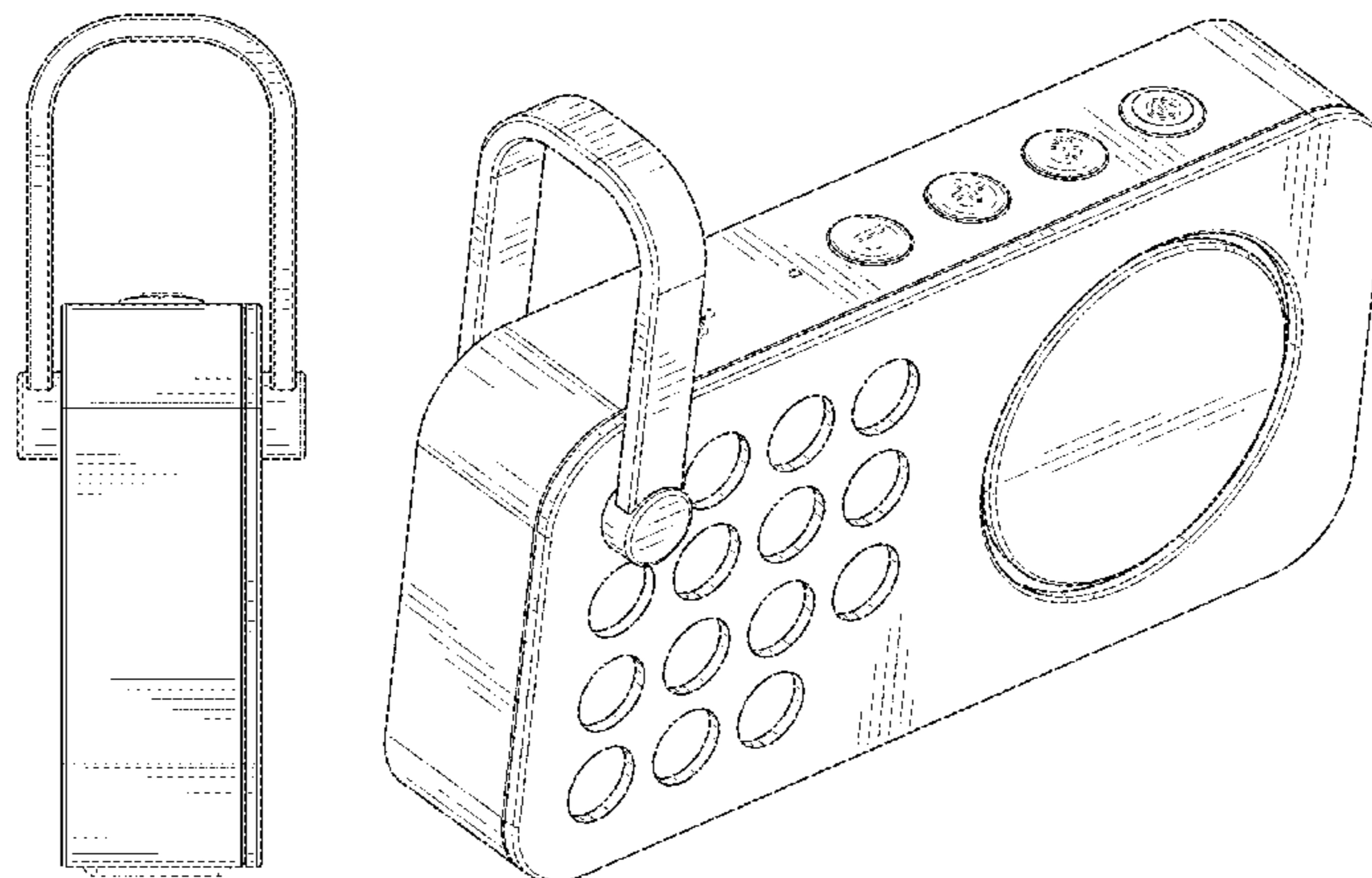
(57) **CLAIM**

The ornamental design for a loudspeaker box, as shown and described.

DESCRIPTION

FIG. 1 is a bottom view of a loudspeaker box showing our new design;
FIG. 2 is a top view thereof;
FIG. 3 is a right side view thereof;
FIG. 4 is a front view thereof;
FIG. 5 is a left side view thereof;
FIG. 6 is a back view thereof; and,
FIG. 7 is a front perspective view thereof.

1 Claim, 7 Drawing Sheets



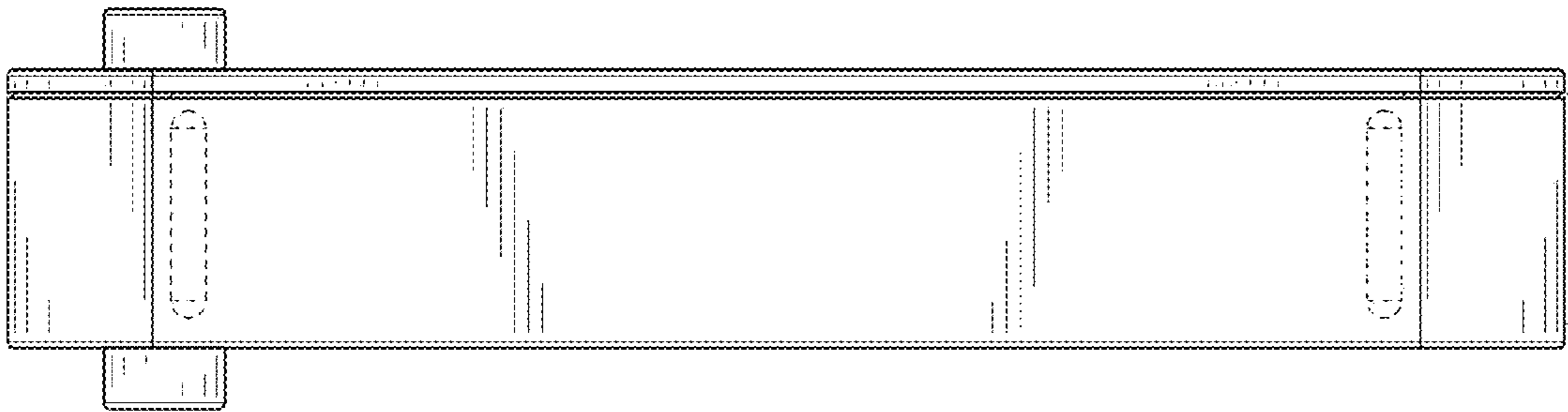


FIG. 1

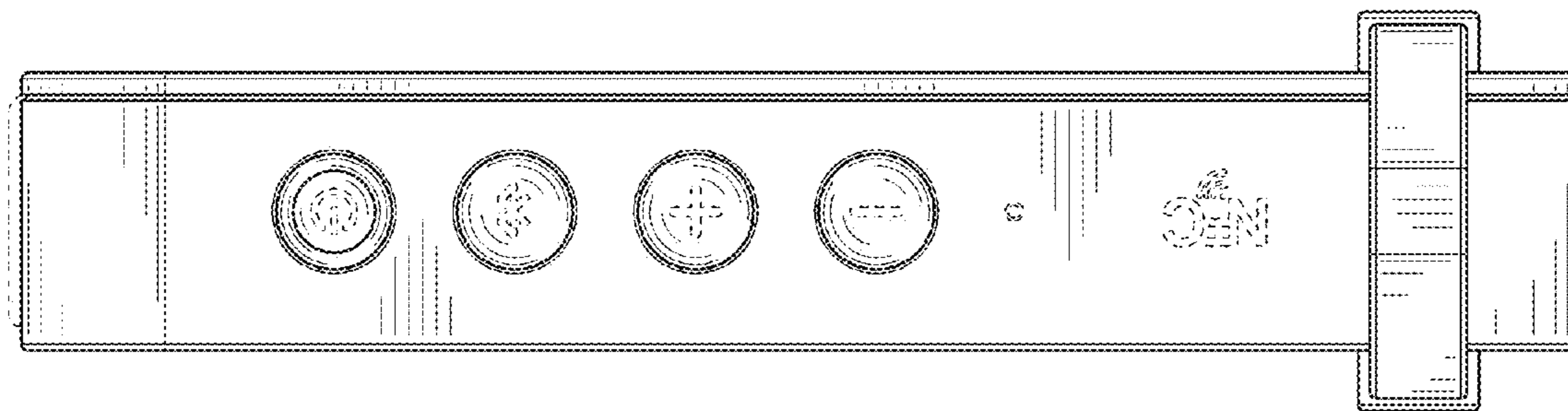


FIG. 2

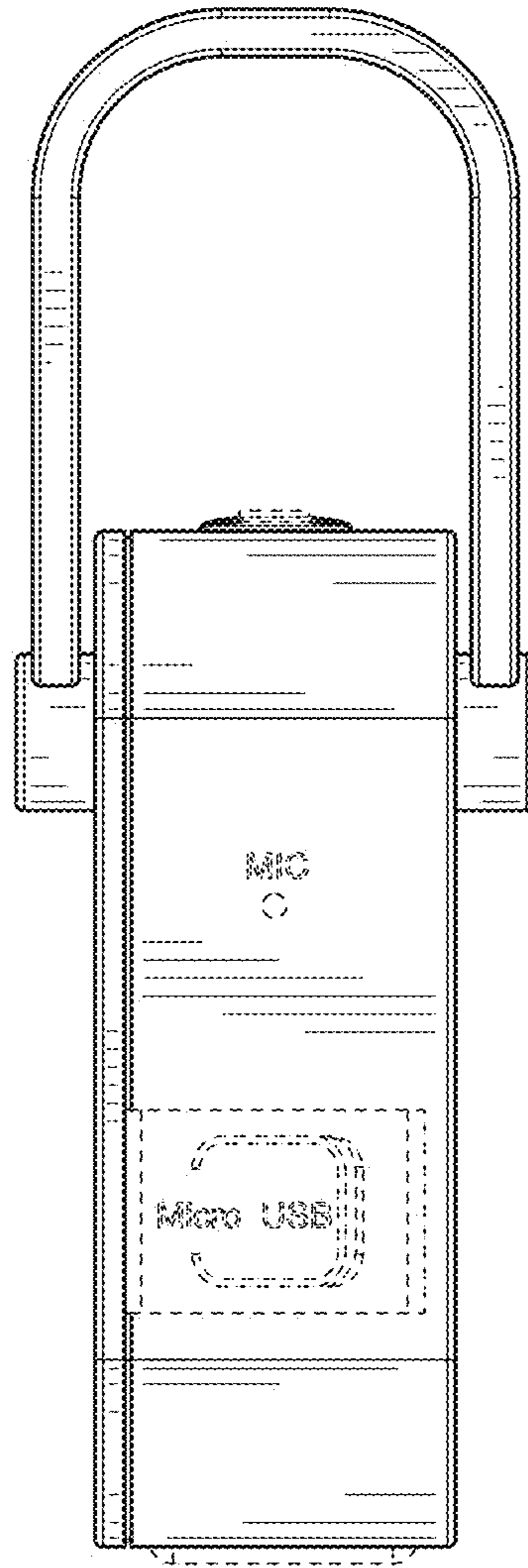


FIG. 3

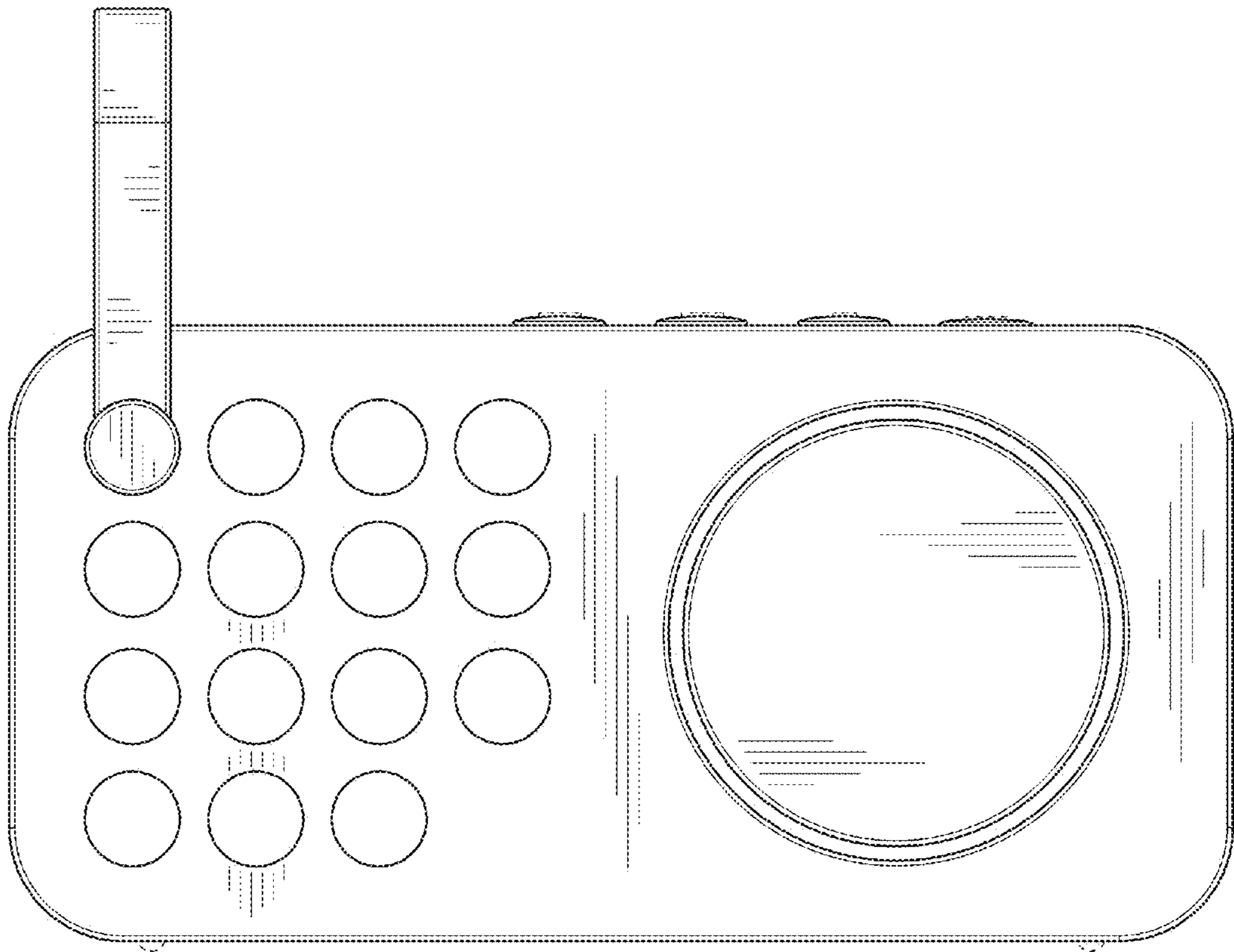


FIG. 4

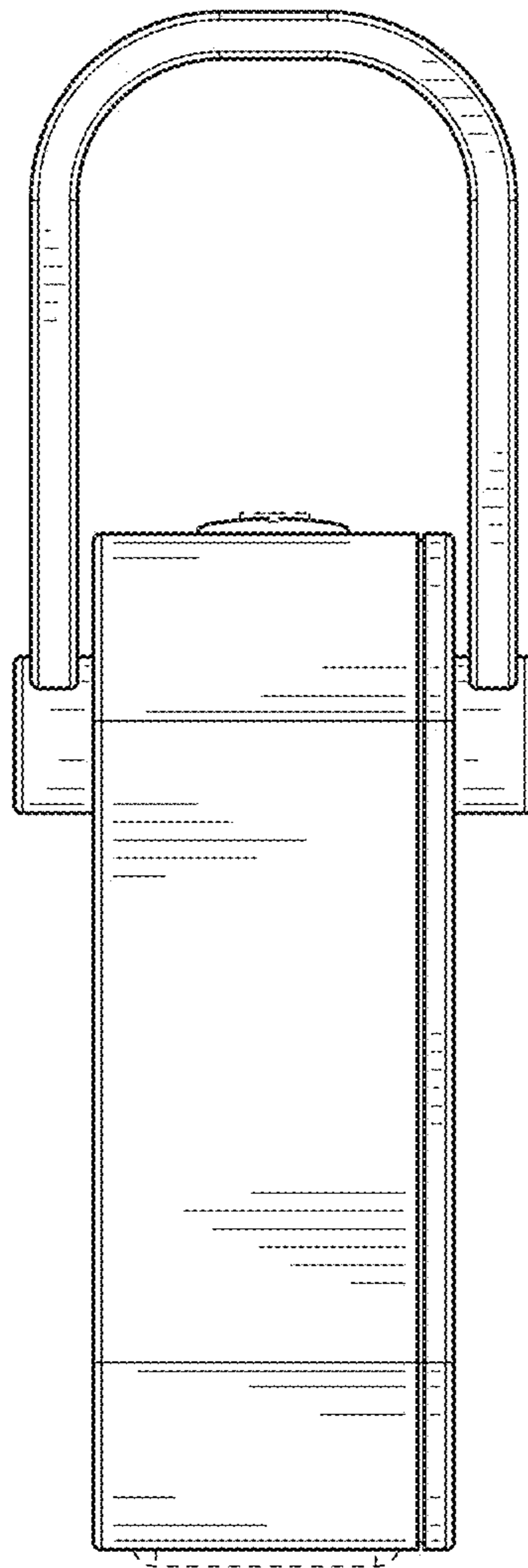


FIG. 5

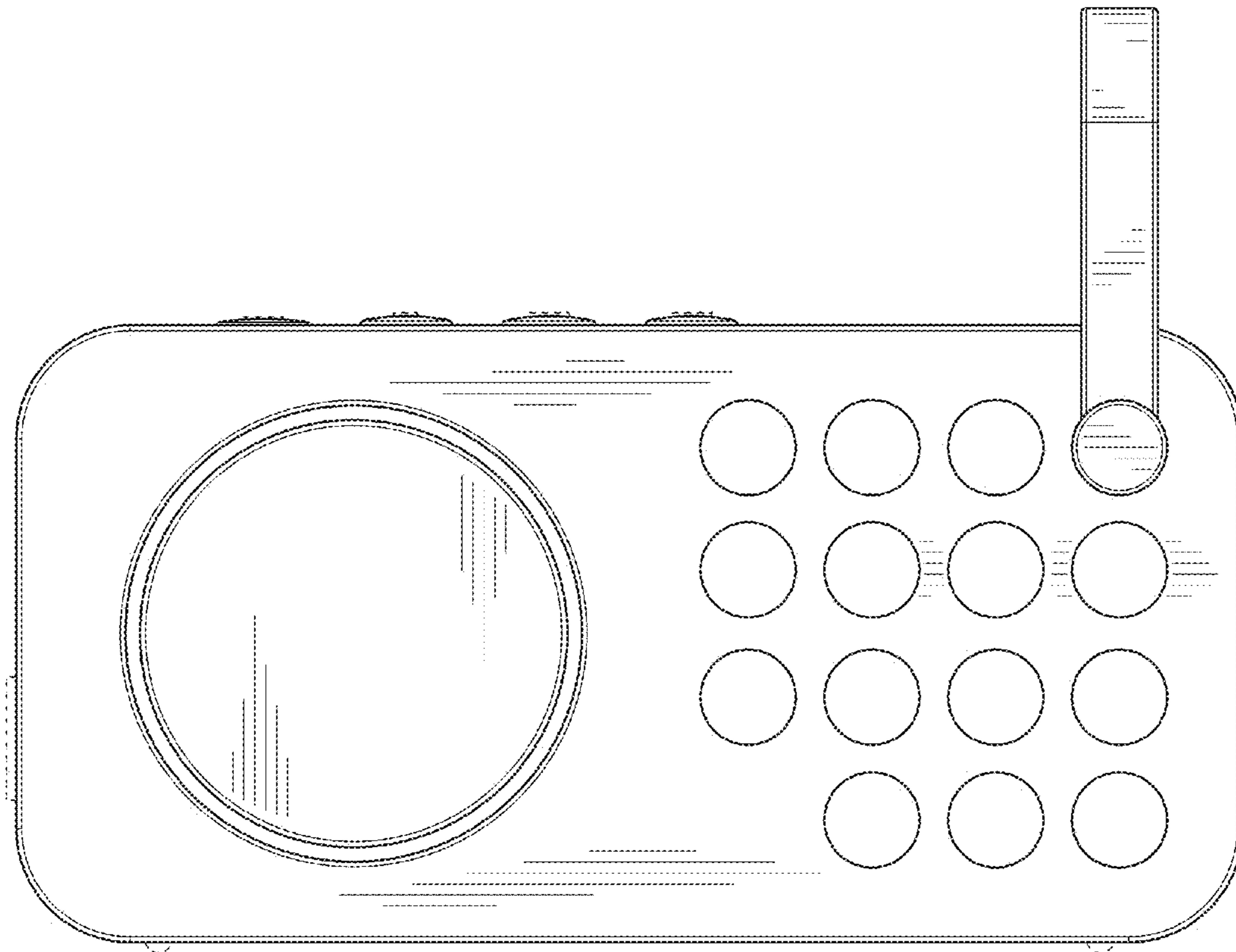


FIG. 6

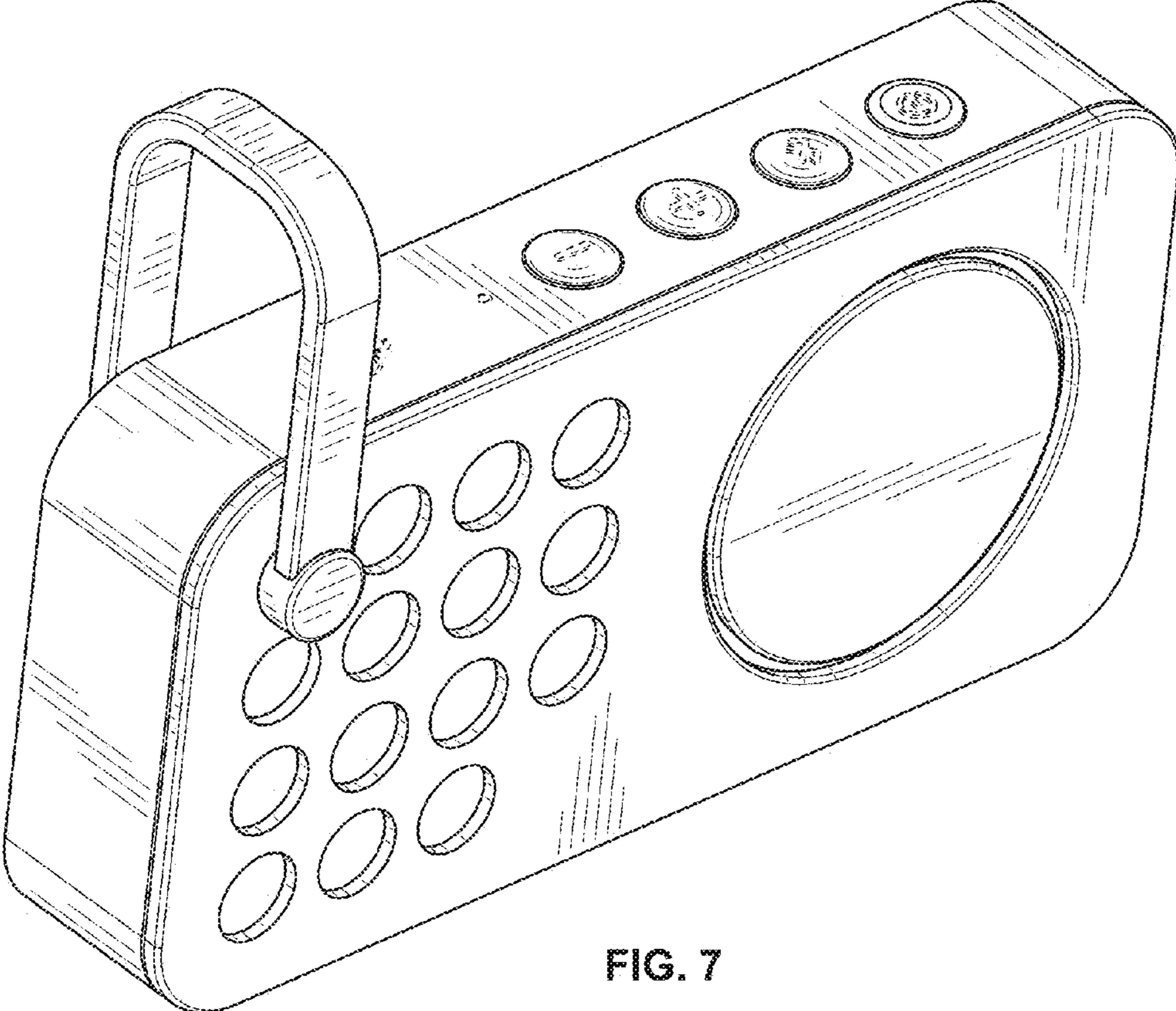


FIG. 7

UNITED STATES PATENT AND TRADEMARK OFFICE
CERTIFICATE OF CORRECTION

PATENT NO. : D758,341 S
APPLICATION NO. : 29/495906
DATED : June 7, 2016
INVENTOR(S) : Yuan Ding et al.

Page 1 of 1

It is certified that error appears in the above-identified patent and that said Letters Patent is hereby corrected as shown below:

On title page, item (30), Replace foreign application priority number “(2014 3 0003883)” with
--(20043000883.2)--

Signed and Sealed this
Sixth Day of September, 2016



Michelle K. Lee
Director of the United States Patent and Trademark Office

UNITED STATES PATENT AND TRADEMARK OFFICE
CERTIFICATE OF CORRECTION

PATENT NO. : D758,341 S
APPLICATION NO. : 29/495906
DATED : June 7, 2016
INVENTOR(S) : Yuan Ding and Shuo Zhang

Page 1 of 1

It is certified that error appears in the above-identified patent and that said Letters Patent is hereby corrected as shown below:

On the Title Page

Item (71), Replace city for Applicant from “Guangdong” to --Shenzhen, Guangdong--

Item (72), Replace city for Inventors Yuan Ding and Shuo Zhang from “Guangdong” to --Shenzhen, Guangdong--

Item (30), Replace foreign application priority number “(2014 3 0003883)” with --(201430003883.2)--

Signed and Sealed this
First Day of August, 2017



Joseph Matal
*Performing the Functions and Duties of the
Under Secretary of Commerce for Intellectual Property and
Director of the United States Patent and Trademark Office*