

US00D758338S

(12) **United States Design Patent**
Szymanski

(10) **Patent No.:** **US D758,338 S**
(45) **Date of Patent:** **** Jun. 7, 2016**

- (54) **HEADPHONES**
- (71) Applicant: **Aaron Szymanski**, Thomaston, CT (US)
- (72) Inventor: **Aaron Szymanski**, Thomaston, CT (US)
- (73) Assignee: **IdeaVillage Products Corp.**, Wayne, NJ (US)
- (**) Term: **14 Years**
- (21) Appl. No.: **29/505,049**
- (22) Filed: **May 11, 2015**
- (51) **LOC (10) Cl.** **14-01**
- (52) **U.S. Cl.**
USPC **D14/205**
- (58) **Field of Classification Search**
USPC D14/205, 249; D29/112, 122; 2/209;
181/129, 130, 135, 131-134; 381/380,
381/381, 370, 377, 378, 374, 385, 183,
381/187; 455/90.3, 575.1
CPC H04R 1/1066; H04R 5/033; H04R 1/10;
H04R 1/105
See application file for complete search history.

D377,021	S *	12/1996	Isono	D14/205
D502,938	S *	3/2005	Tokioka	D14/205
7,072,483	B2 *	7/2006	Lenhard-Backhaus	H04R 1/1066	381/370
D544,464	S *	6/2007	Lee	D14/205
D573,581	S *	7/2008	Gondo	D14/205
D584,715	S *	1/2009	Brennwald	D14/205
D588,098	S *	3/2009	Kurihara	D14/205
D594,847	S *	6/2009	Suzuki	D14/205
7,580,539	B2 *	8/2009	Tachikawa	H04R 1/1066
					381/374
D600,674	S *	9/2009	Brennwald	D14/205
D625,705	S *	10/2010	Ohori	D14/205
D639,776	S *	6/2011	Arimoto	D14/205
8,098,872	B2 *	1/2012	Chang	H04R 1/1075
					381/370
D656,125	S *	3/2012	Komiyama	D14/205
D665,775	S *	8/2012	Katsumata	D14/205
D673,136	S *	12/2012	Kelly	D14/205
D675,595	S *	2/2013	Cho	D14/205
D684,140	S *	6/2013	Enquist	D14/205

(Continued)

Primary Examiner — Paula Greene
(74) *Attorney, Agent, or Firm* — Dan DeLa Rosa

(57) **CLAIM**
The ornamental design for headphones, as shown and described.

(56) **References Cited**
U.S. PATENT DOCUMENTS

D68,060	S *	8/1925	Pacent	D14/249
1,560,718	A *	11/1925	Nowosielski	H04R 1/1066
					381/377
1,606,165	A *	11/1926	Glenn	H01B 7/04
					123/633
2,537,201	A *	1/1951	Amfitheatrof	A61F 11/008
					181/136
4,634,816	A *	1/1987	O'Malley	H04M 1/05
					379/430
D297,324	S *	8/1988	Kohno	D14/205
D316,861	S *	5/1991	Yoda	D14/205
D318,669	S *	7/1991	Nakayama	D14/205
D328,461	S *	8/1992	Daido	D14/205
5,459,290	A *	10/1995	Yamagishi	H04R 1/1075
					181/129
D373,360	S *	9/1996	Kanno	D14/205
D375,312	S *	11/1996	Kanno	D14/205

DESCRIPTION

FIG. 1 is a front perspective view of the headphones of the present invention showing my new design;
FIG. 2 is a front side elevational view thereof;
FIG. 3 is a back side elevational view thereof;
FIG. 4 is a side elevational view thereof;
FIG. 5 is another side elevational view thereof;
FIG. 6 is a top plan view thereof;
FIG. 7 is a bottom plan view thereof;
FIG. 8 is perspective view of FIG. 1 in a folded position;
FIG. 9 is a front side view of FIG. 2 in a folded position;
FIG. 10 is a top plan view of FIG. 6 in a folded position; and,
FIG. 11 is a bottom plan view of FIG. 7 in a folded position.
The broken lines form no part of the claimed design.

1 Claim, 8 Drawing Sheets



(56)

References Cited

U.S. PATENT DOCUMENTS

D691,109 S *	10/2013	Hardi	D14/205	D712,375 S *	9/2014	Miyake	D14/205
D704,161 S *	5/2014	Morimoto	D14/205	D715,255 S *	10/2014	Nunez	D14/205
D706,240 S *	6/2014	Szymanski	D14/205	D727,289 S *	4/2015	Czaniecki	D14/205
D706,241 S *	6/2014	Szymanski	D14/205	D728,512 S *	5/2015	Nakagawa	D14/205
D707,653 S *	6/2014	Hardi	D14/205	D729,194 S *	5/2015	Boeckel	D14/205
D708,163 S *	7/2014	Ishikura	D14/205	D733,090 S *	6/2015	Petersen	D14/205
				D750,593 S *	3/2016	Hardi	D14/205
				2007/0165899 A1 *	7/2007	Garin	H04R 5/0335 381/377

* cited by examiner



FIG. 1

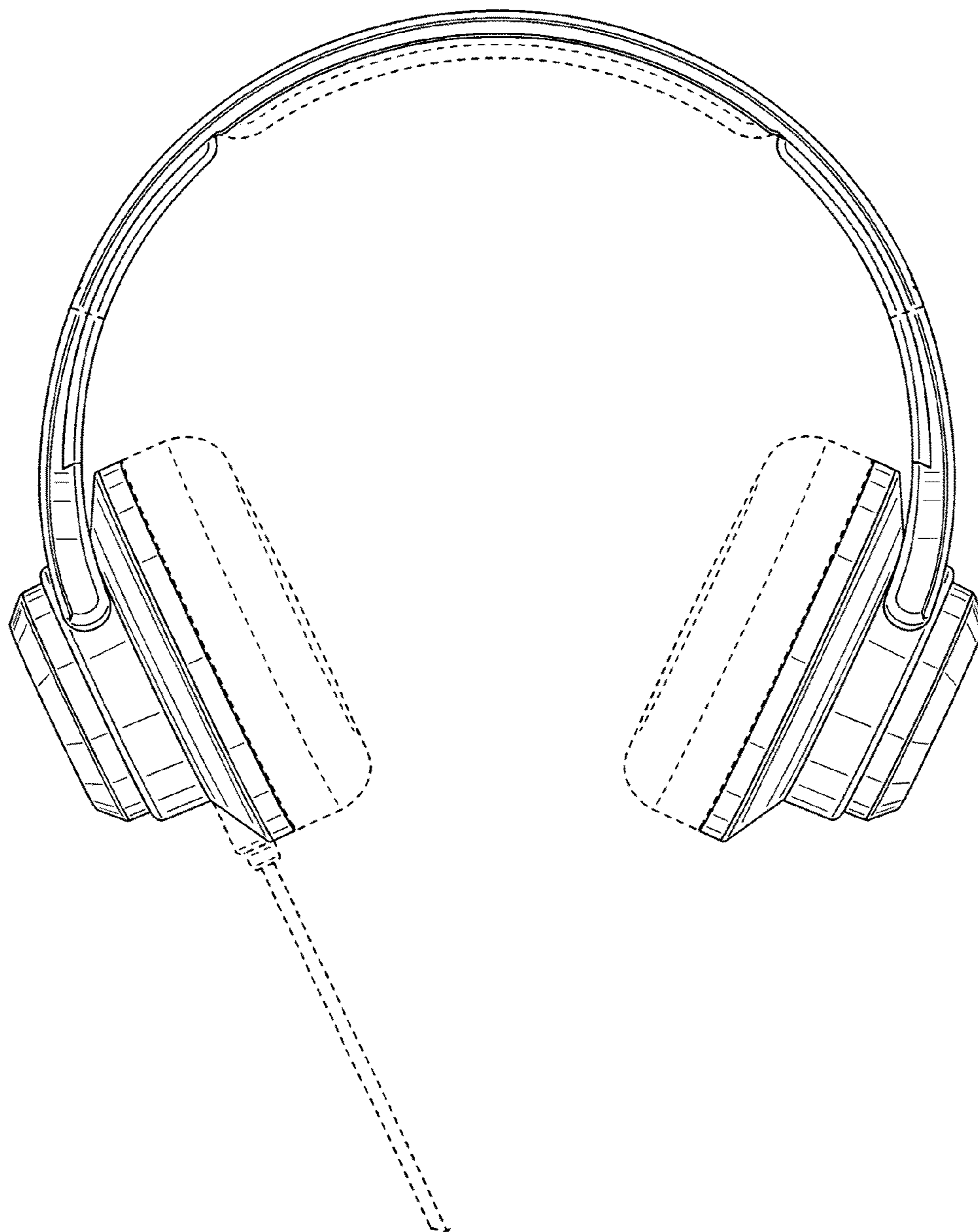


FIG. 2

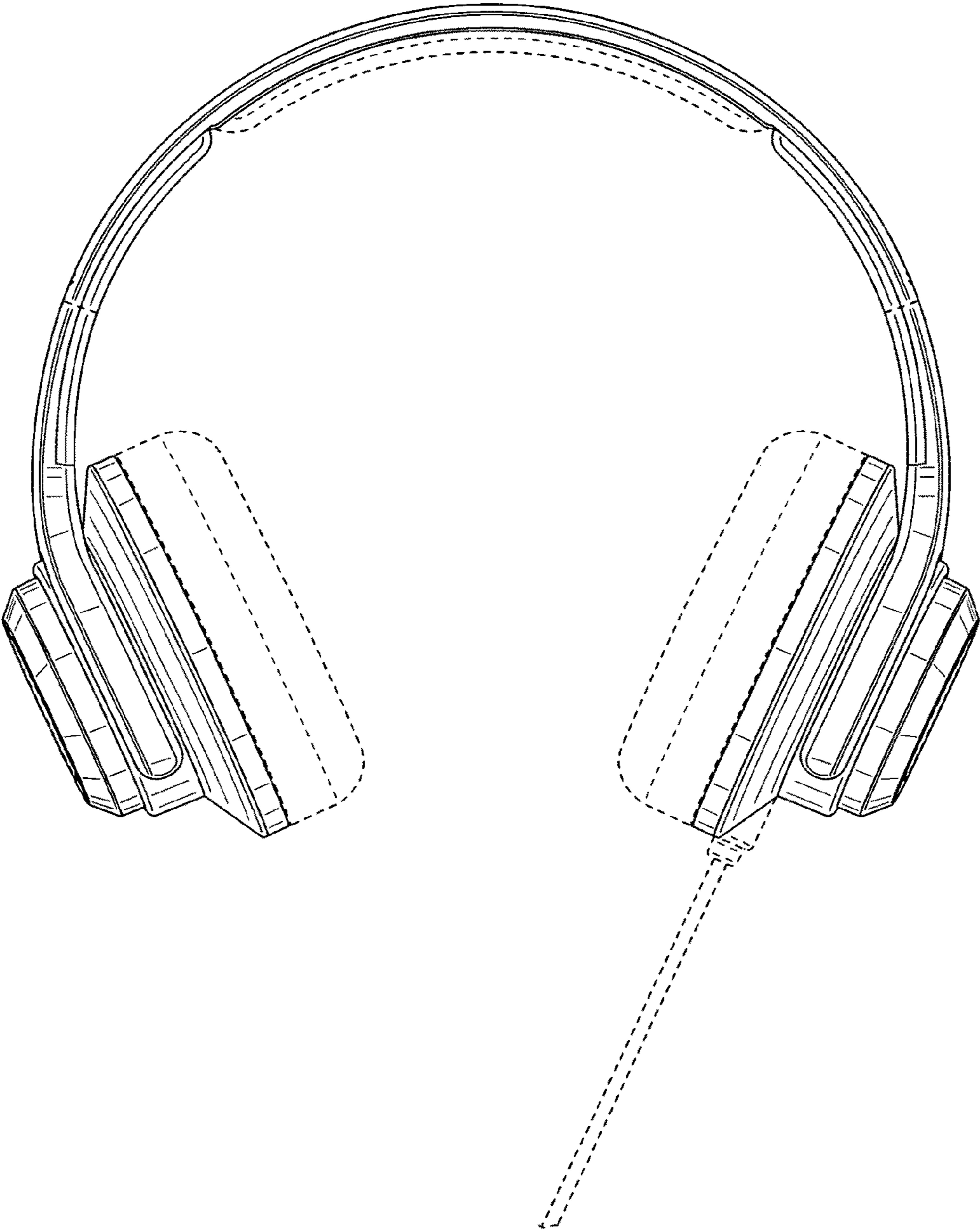


FIG. 3

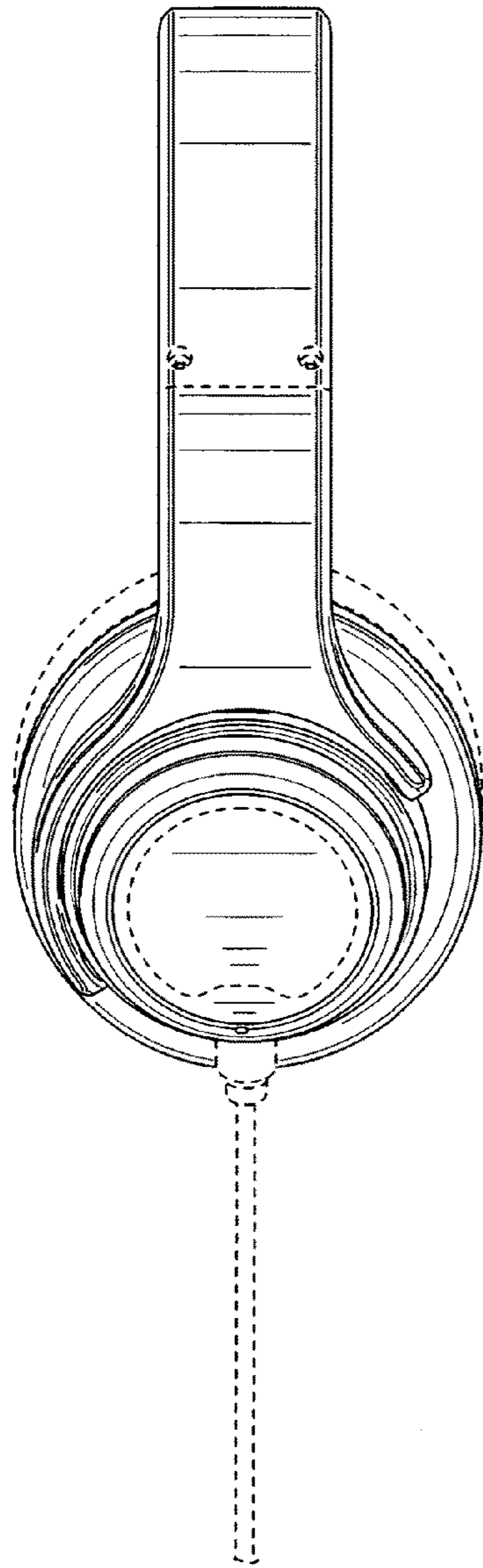


FIG. 4

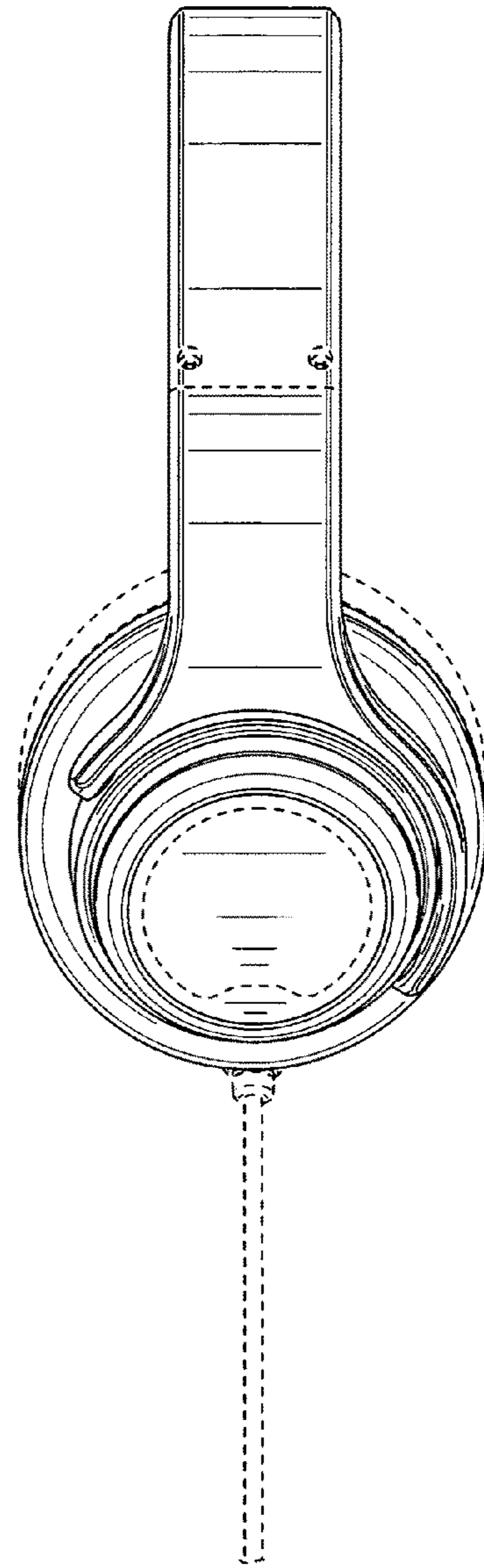


FIG. 5

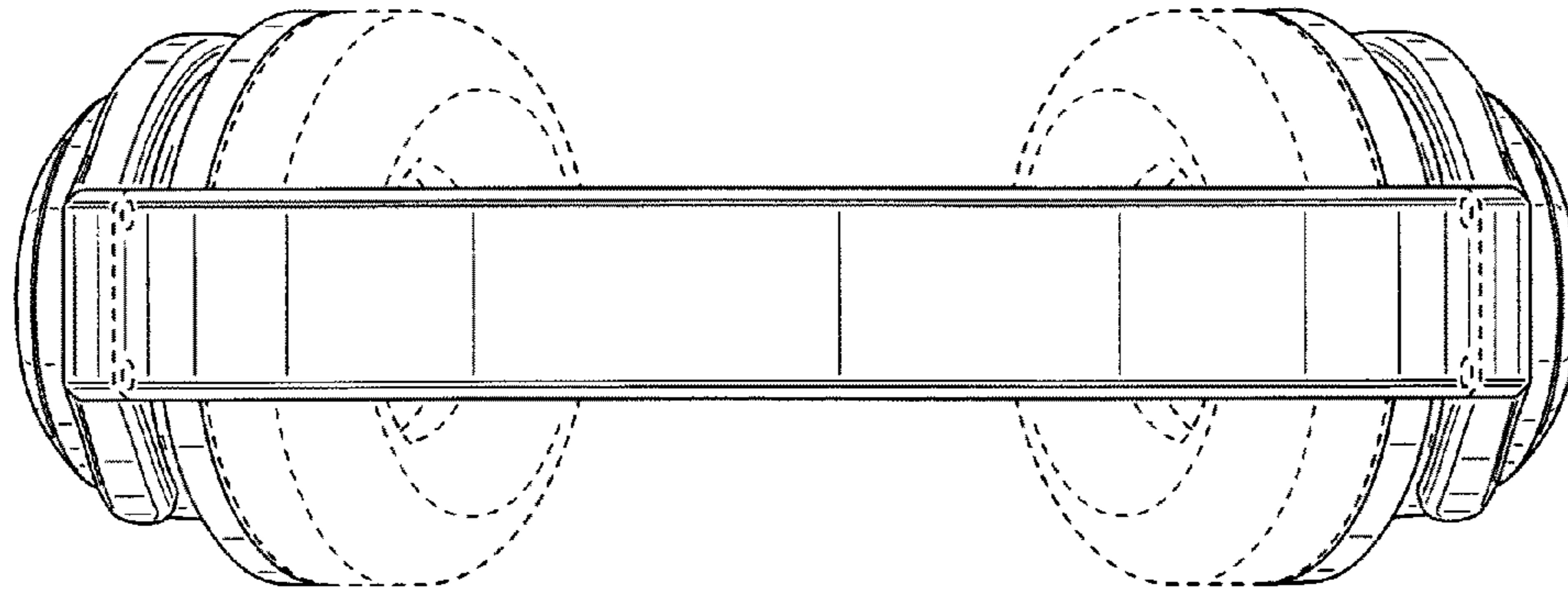


FIG. 6

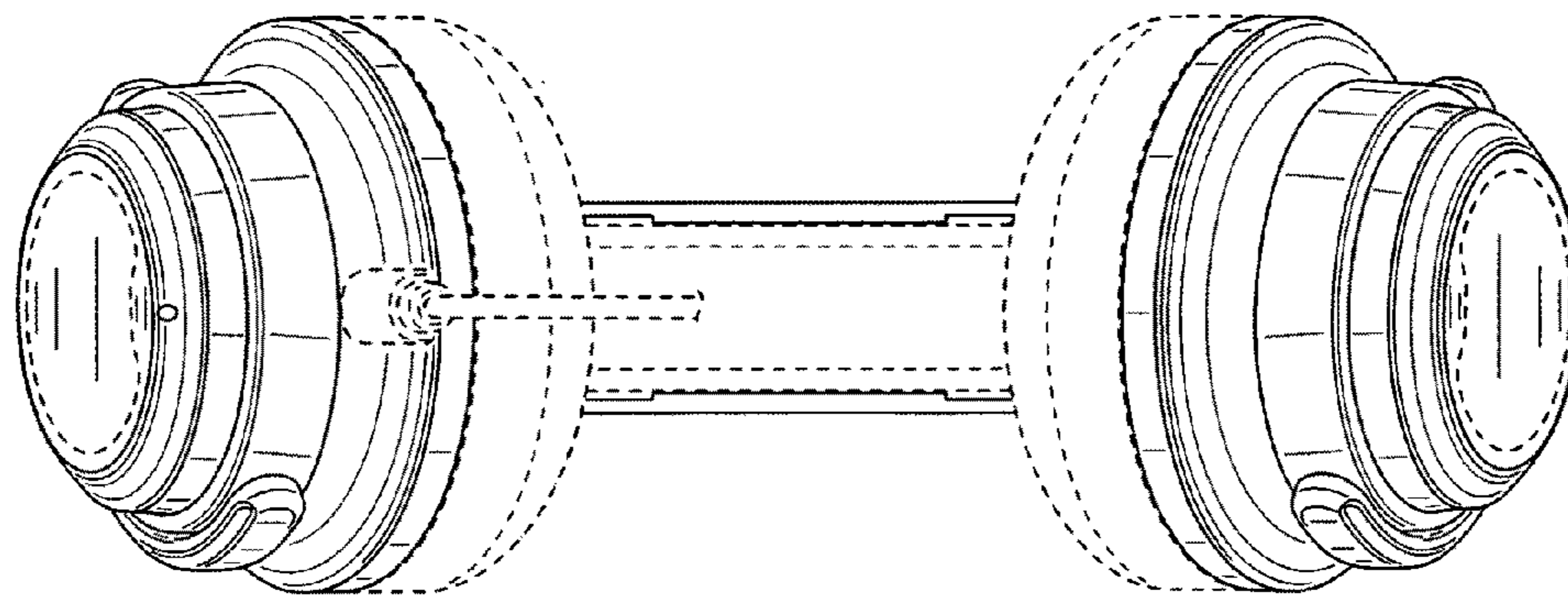


FIG. 7

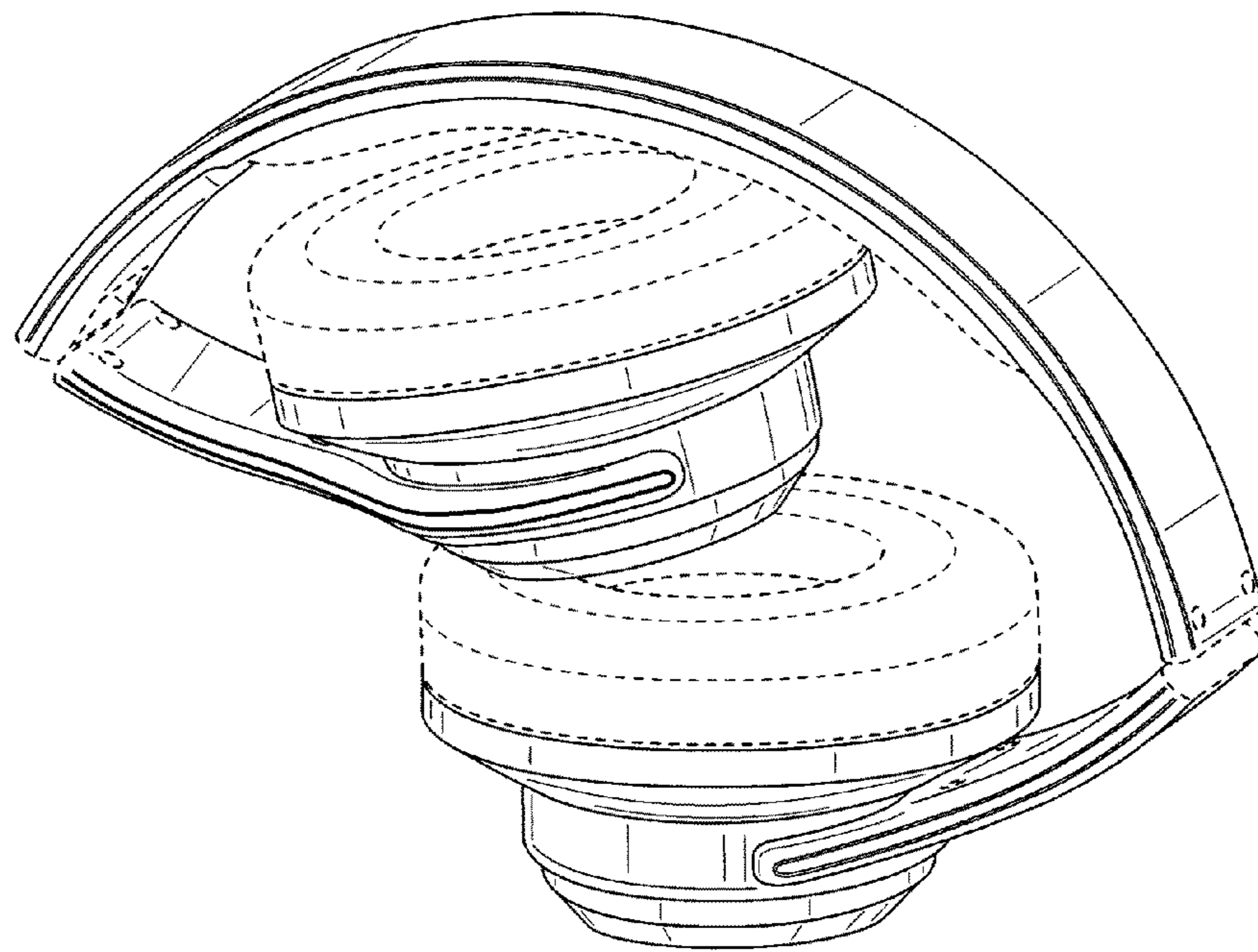


FIG. 8

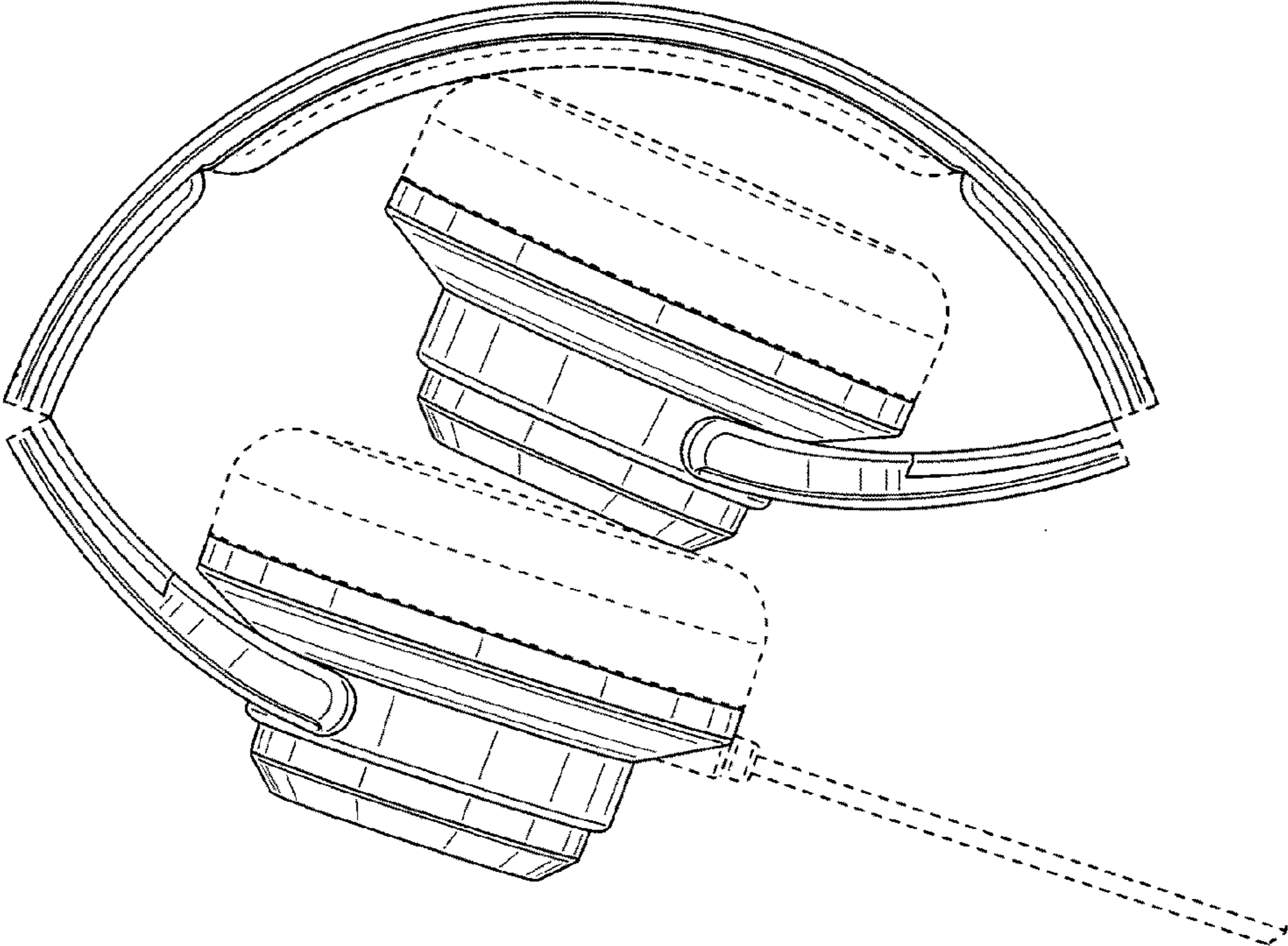


FIG. 9

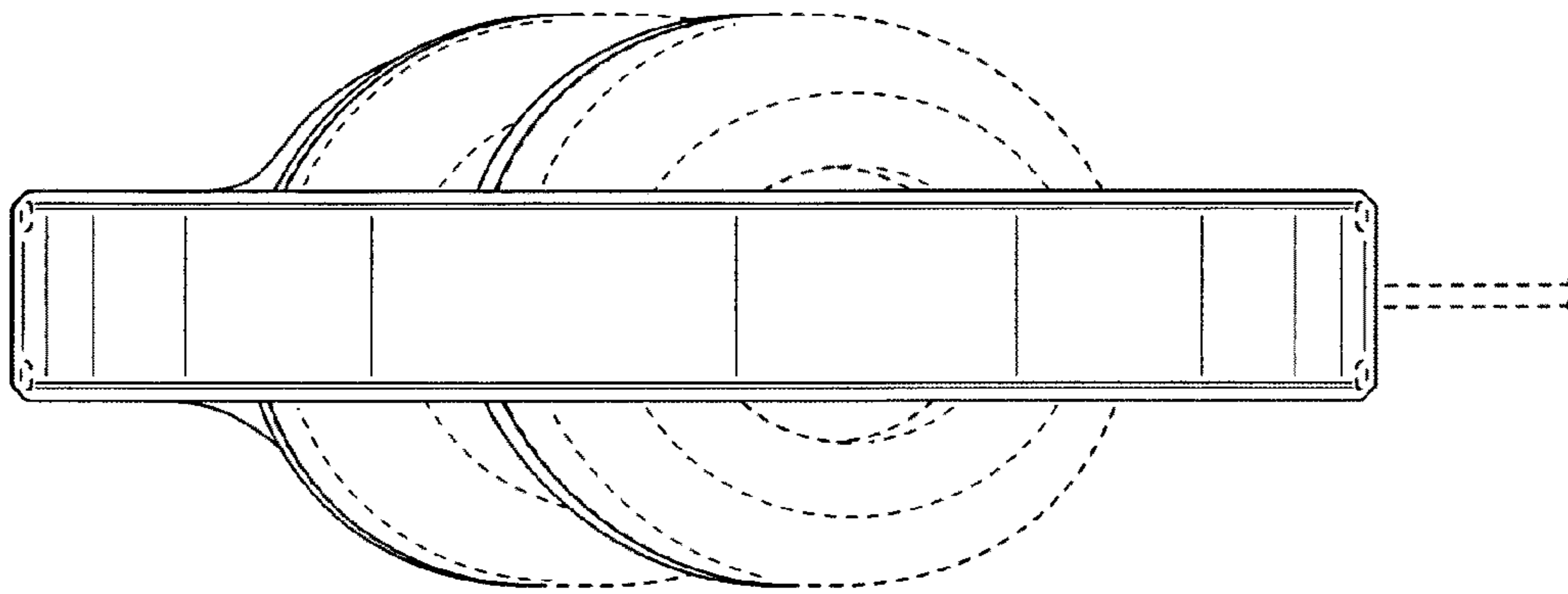


FIG. 10

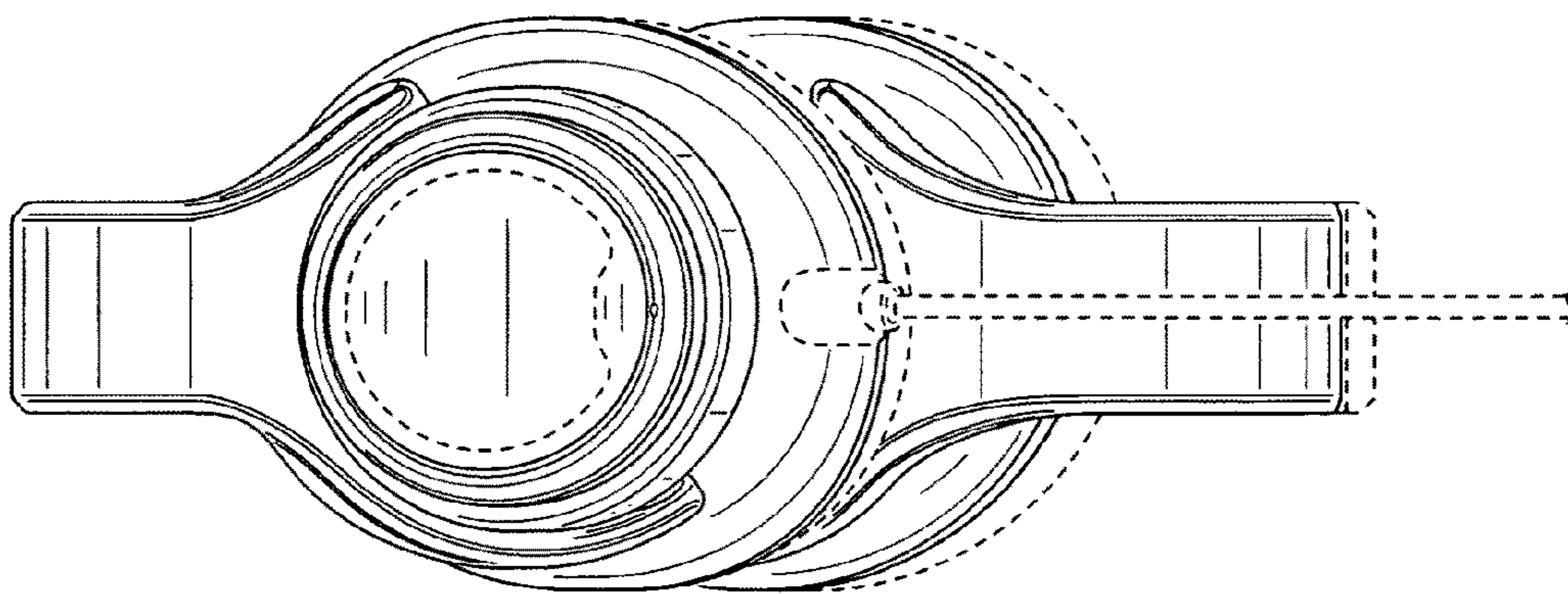


FIG. 11