



US00D758337S

(12) **United States Design Patent**
Szymanski

(10) **Patent No.:** **US D758,337 S**
(45) **Date of Patent:** **** Jun. 7, 2016**

- (54) **HEADPHONES**
- (71) Applicant: **Aaron Szymanski**, Thomaston, CT (US)
- (72) Inventor: **Aaron Szymanski**, Thomaston, CT (US)
- (73) Assignee: **Idea Village Products Corp.**, Wayne, NJ (US)
- (**) Term: **14 Years**
- (21) Appl. No.: **29/505,048**
- (22) Filed: **May 11, 2015**
- (51) **LOC (10) Cl.** **14-01**
- (52) **U.S. Cl.**
USPC **D14/205**
- (58) **Field of Classification Search**
USPC D14/205, 249; D29/112, 122; 2/209;
181/129, 130, 135, 131-134; 381/380,
381/381, 370, 377, 378, 385, 183, 187;
455/90.3, 575.1
CPC H04R 1/1066; H04R 25/00; H04R 1/10;
H04R 1/105
See application file for complete search history.

- 7,072,483 B2 * 7/2006 Lenhard-
Backhaus H04R 1/1066
381/370
- D544,464 S * 6/2007 Lee D14/205
- D573,581 S * 7/2008 Gondo D14/205
- D584,715 S * 1/2009 Brennwald D14/205
- D588,098 S * 3/2009 Kurihara D14/205
- D594,847 S * 6/2009 Suzuki D14/205
- 7,580,539 B2 * 8/2009 Tachikawa H04R 1/1066
381/374
- D600,674 S * 9/2009 Brennwald D14/205
- D625,705 S * 10/2010 Ohori D14/205
- D639,776 S * 6/2011 Arimoto D14/205
- 8,098,872 B2 * 1/2012 Chang H04R 1/1075
381/370
- D656,125 S * 3/2012 Komiyama D14/205
- D665,775 S * 8/2012 Katsumata D14/205
- D673,136 S * 12/2012 Kelly D14/205
- D676,595 S * 2/2013 Giacomazzi D26/118
- D684,140 S * 6/2013 Enquist D14/205
- D691,109 S * 10/2013 Hardi D14/205

(Continued)

Primary Examiner — Paula Greene
(74) *Attorney, Agent, or Firm* — Dan De La Rosa

(57) **CLAIM**
The ornamental design for headphones, as shown and described.

(56) **References Cited**

U.S. PATENT DOCUMENTS

- D68,060 S * 8/1925 Pacent D14/249
- 1,606,165 A * 11/1926 Glenn H01B 7/04
123/633
- 2,537,201 A * 1/1951 Amfitheatrof A61F 11/008
181/136
- 4,634,816 A * 1/1987 O'Malley H04M 1/05
379/430
- D297,324 S * 8/1988 Kohno D14/205
- D316,861 S * 5/1991 Yoda D14/205
- D318,669 S * 7/1991 Nakayama D14/205
- D328,461 S * 8/1992 Daido D14/205
- 5,459,290 A * 10/1995 Yamagishi H04R 1/1075
181/129
- D373,360 S * 9/1996 Kanno D14/205
- D375,312 S * 11/1996 Kanno D14/205
- D377,021 S * 12/1996 Isono D14/205
- D502,938 S * 3/2005 Tokioka D14/205

DESCRIPTION

FIG. 1 is a front perspective view of the headphones of the present invention showing my new design;
FIG. 2 is a front side elevational view thereof;
FIG. 3 is a back side elevational view thereof;
FIG. 4 is a side elevational view thereof;
FIG. 5 is another side elevational view thereof;
FIG. 6 is a top plan view thereof;
FIG. 7 is a bottom plan view thereof;
FIG. 8 is perspective view of FIG. 1 in a folded position;
FIG. 9 is a front side view of FIG. 2 in a folded position;
FIG. 10 is a top plan view of FIG. 6 in a folded position; and,
FIG. 11 is a bottom plan view of FIG. 7 in a folded position.
The broken lines form no part of the claimed design.

1 Claim, 8 Drawing Sheets



(56)

References Cited

U.S. PATENT DOCUMENTS

D704,161 S *	5/2014	Morimoto	D14/205	D715,255 S *	10/2014	Nunez	D14/205
D706,240 S *	6/2014	Szymanski	D14/205	D727,289 S *	4/2015	Czaniecki	D14/205
D706,241 S *	6/2014	Szymanski	D14/205	D728,512 S *	5/2015	Nakagawa	D14/205
D707,653 S *	6/2014	Hardi	D14/205	D729,194 S *	5/2015	Boeckel	D14/205
D708,163 S *	7/2014	Ishikura	D14/205	D733,090 S *	6/2015	Petersen	D14/205
D712,375 S *	9/2014	Miyake	D14/205	D750,593 S *	3/2016	Hardi	D14/205
				2007/0165899 A1 *	7/2007	Garin	H04R 5/0335 381/377

* cited by examiner



FIG. 1

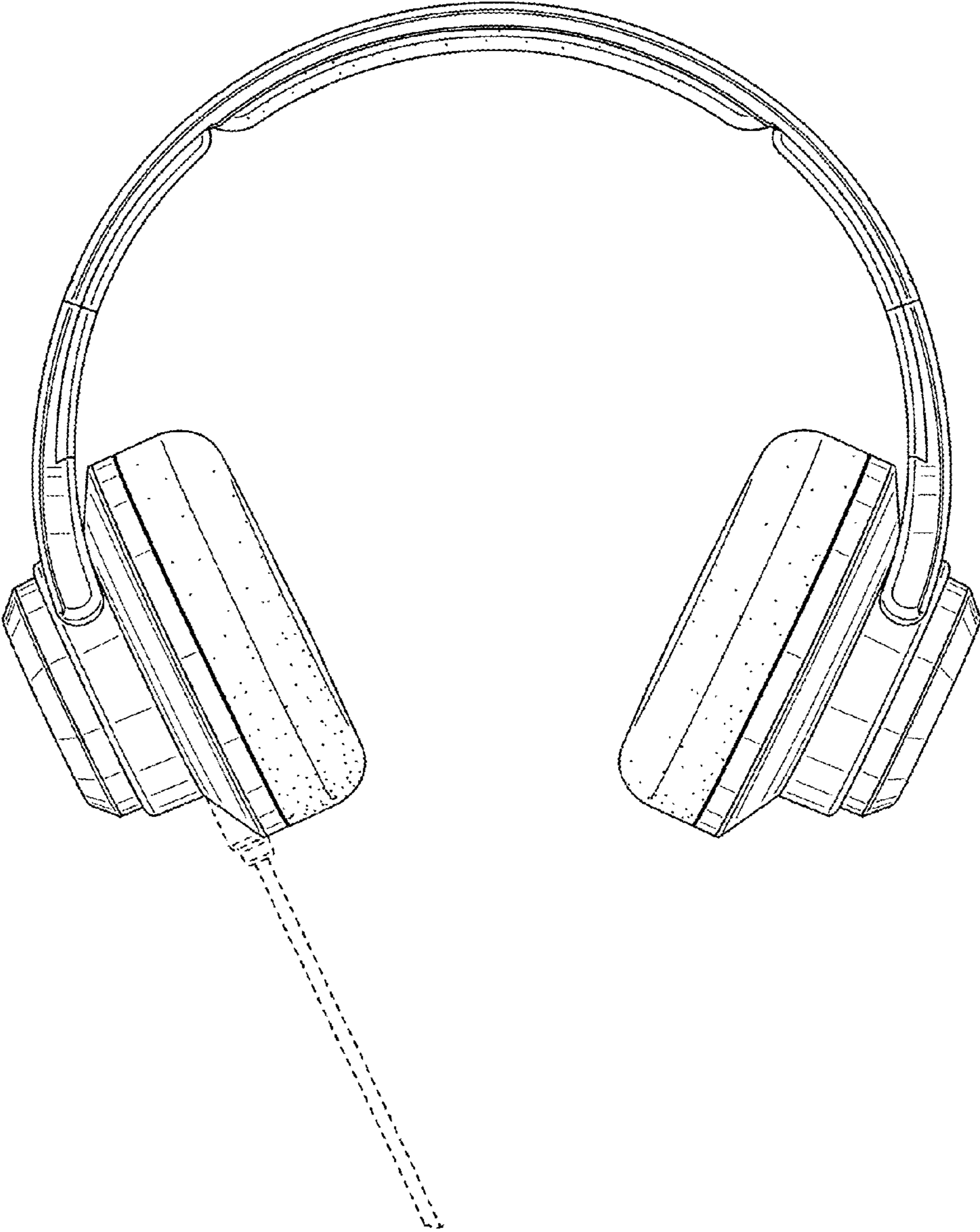


FIG. 2

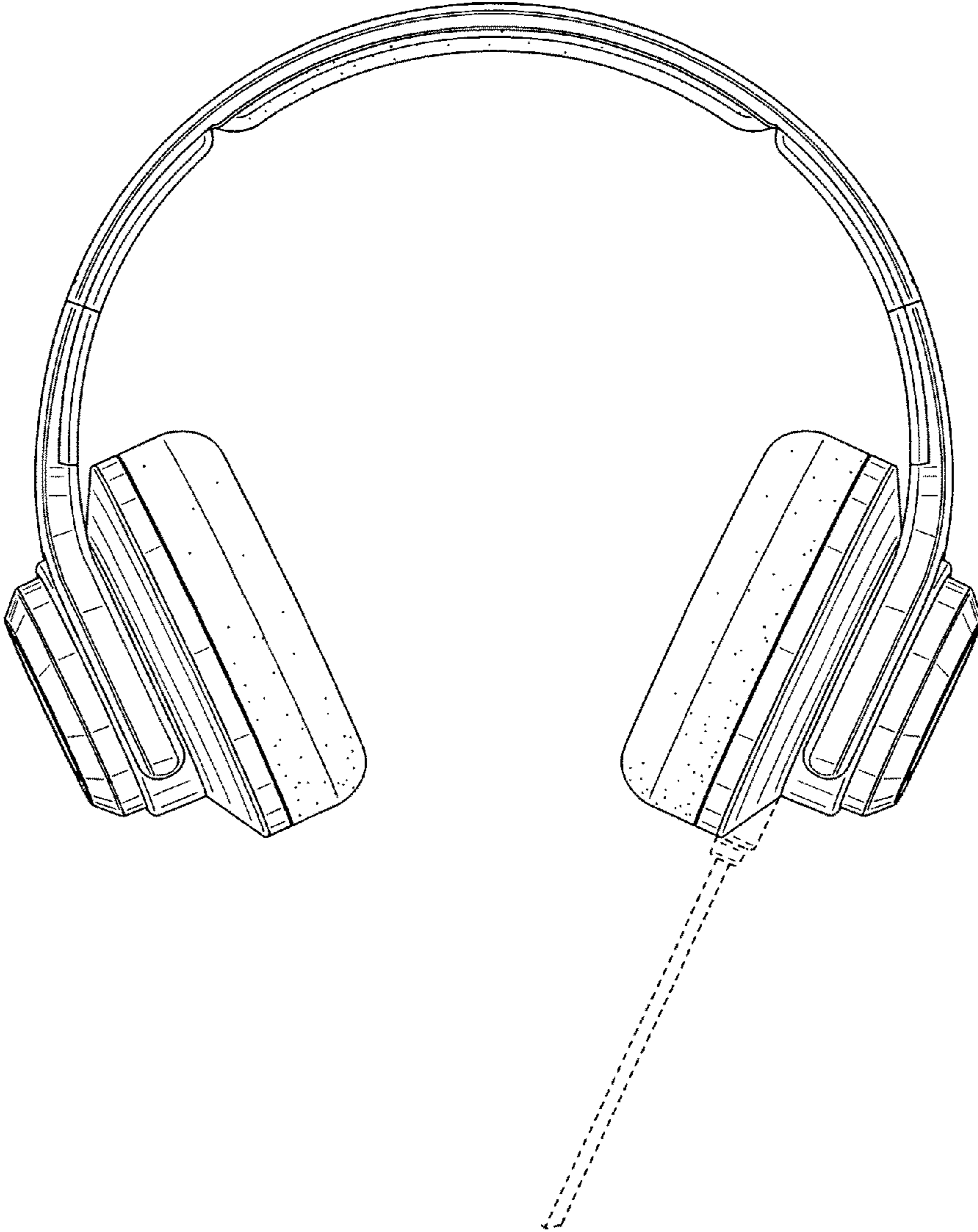


FIG. 3

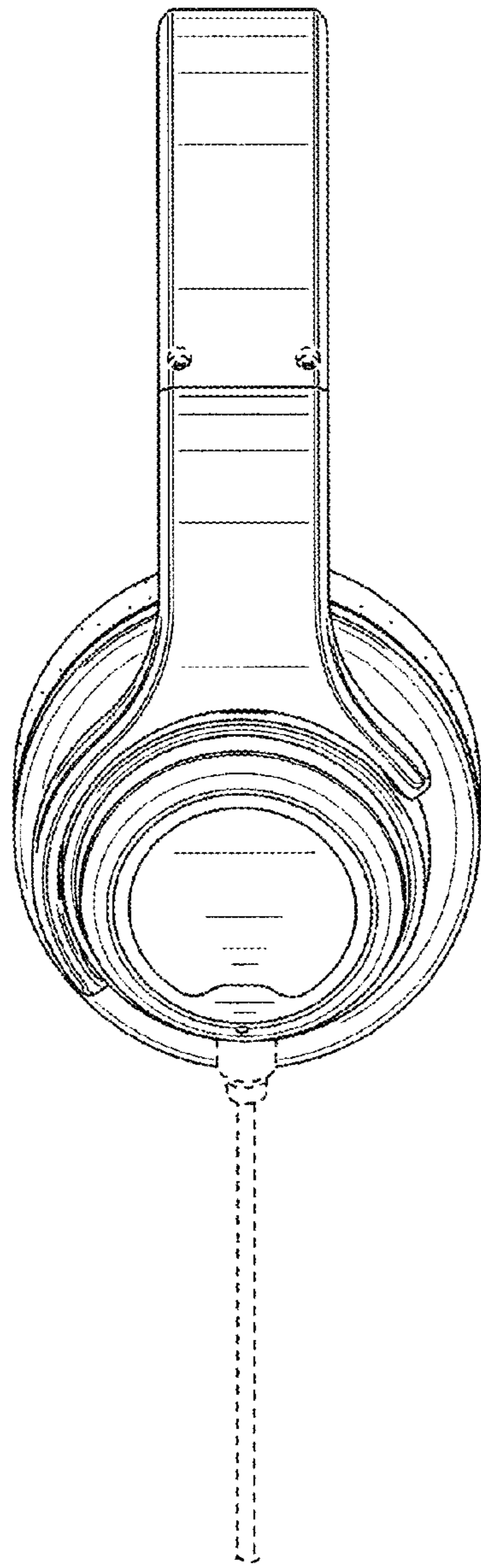


FIG. 4

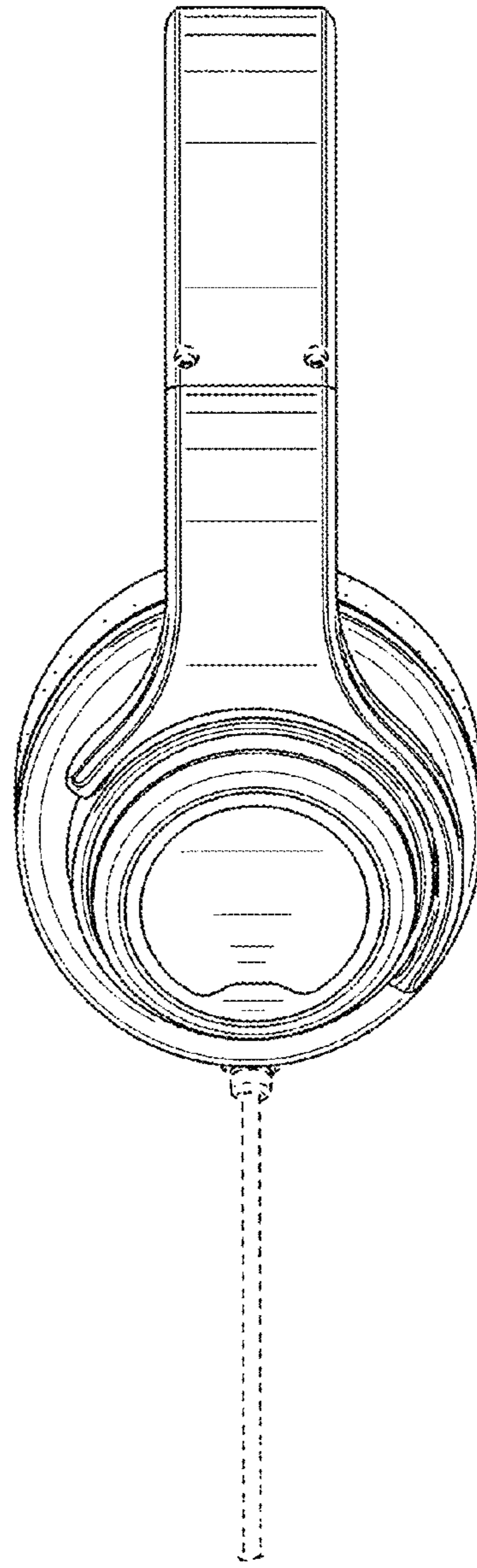


FIG. 5

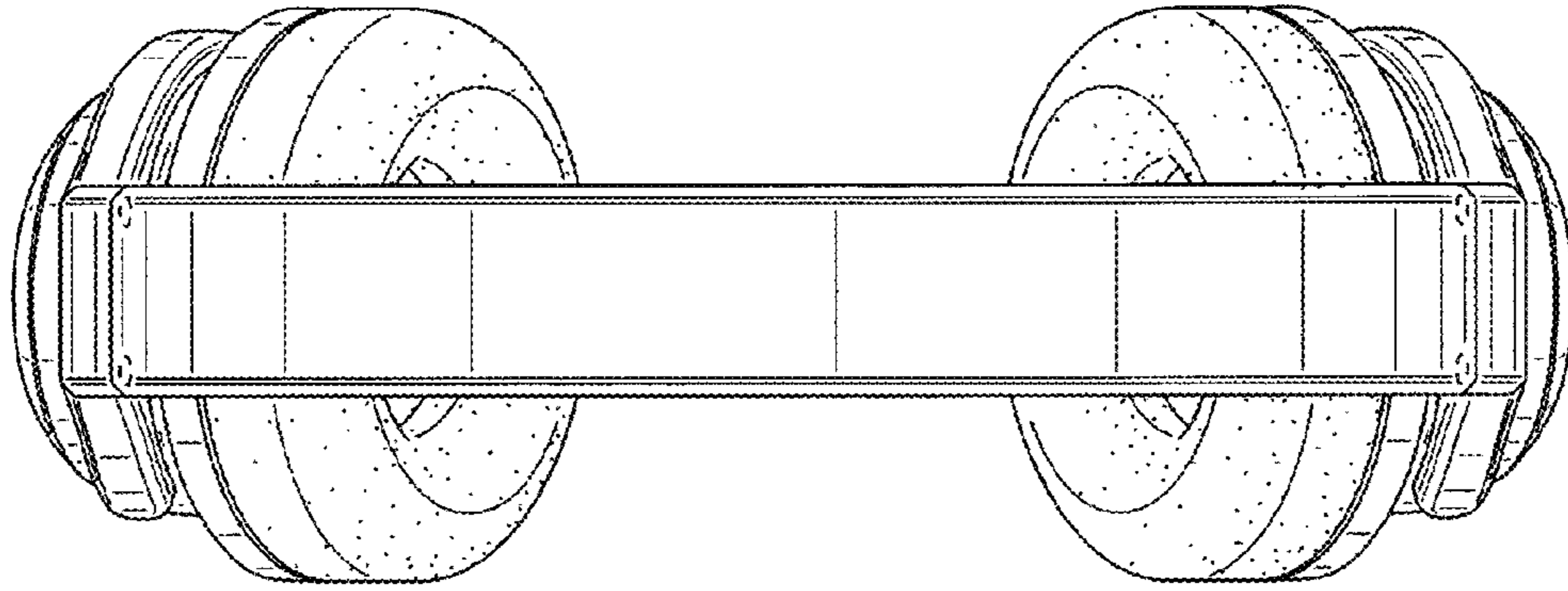


FIG. 6

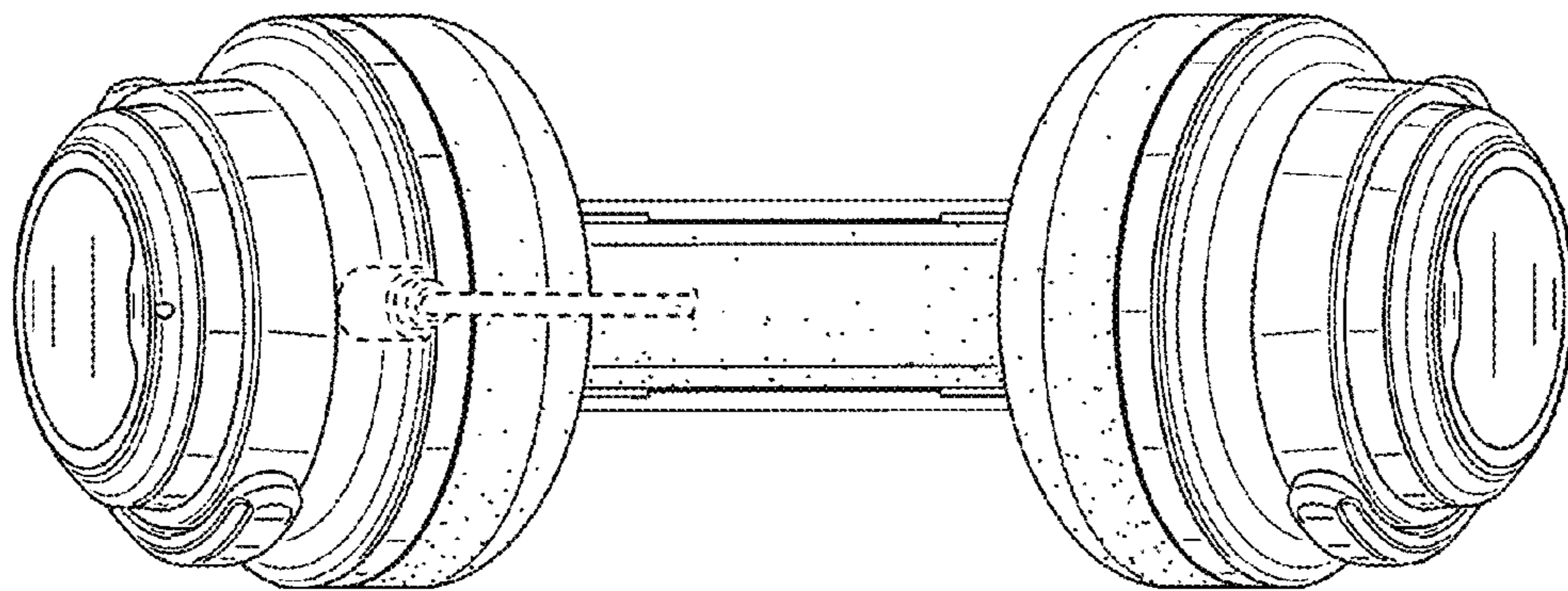


FIG. 7

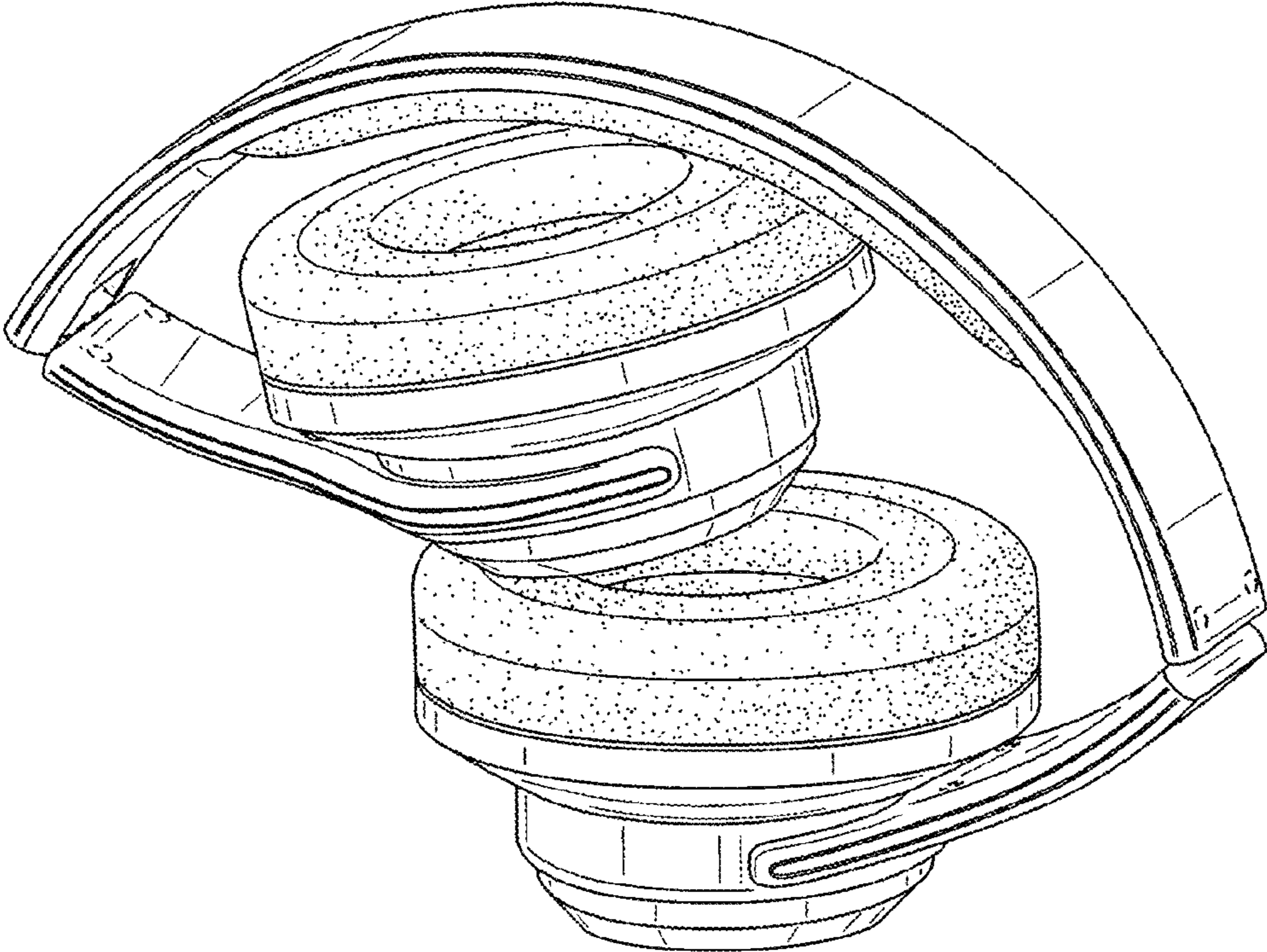


FIG. 8

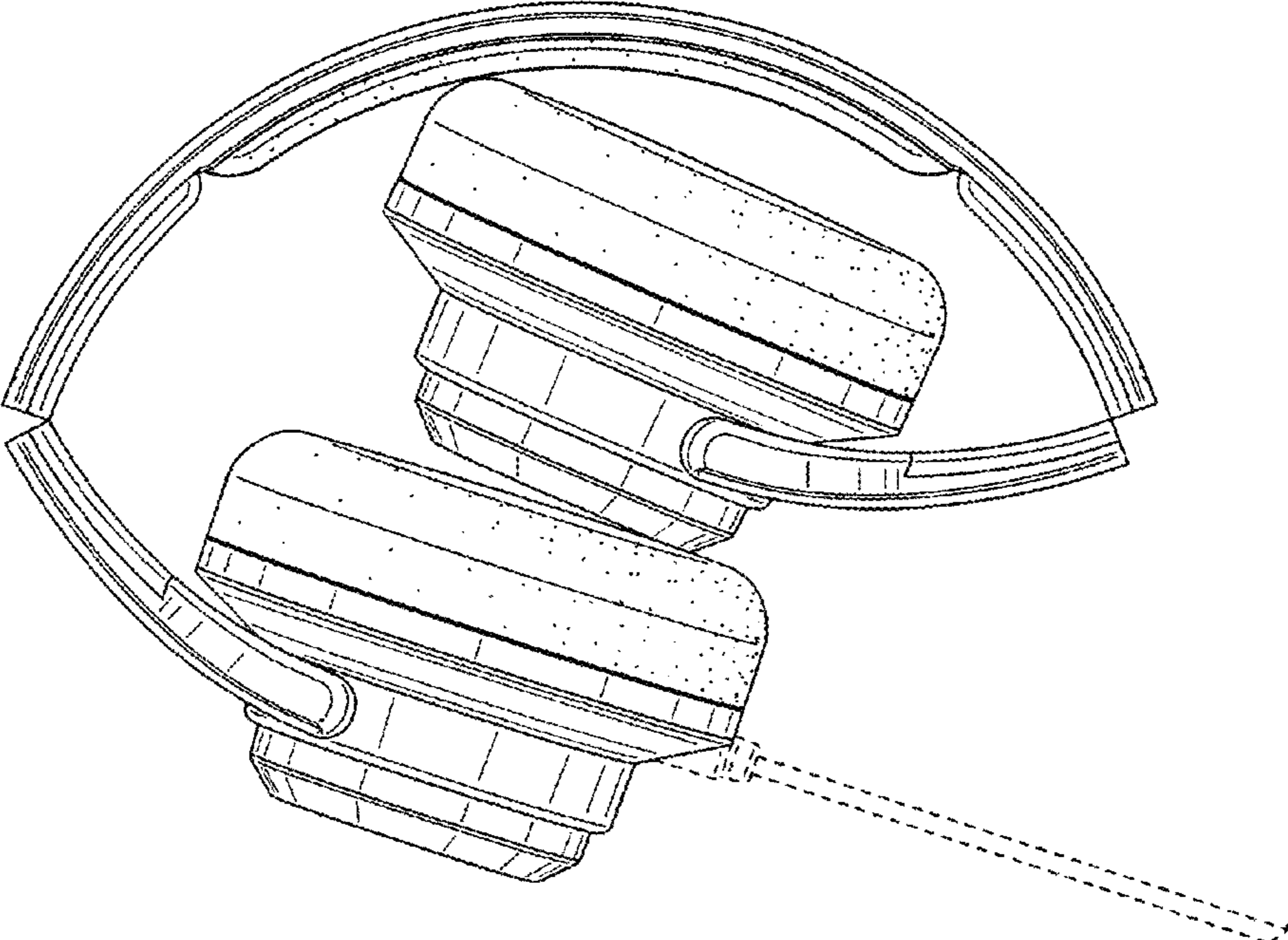


FIG. 9

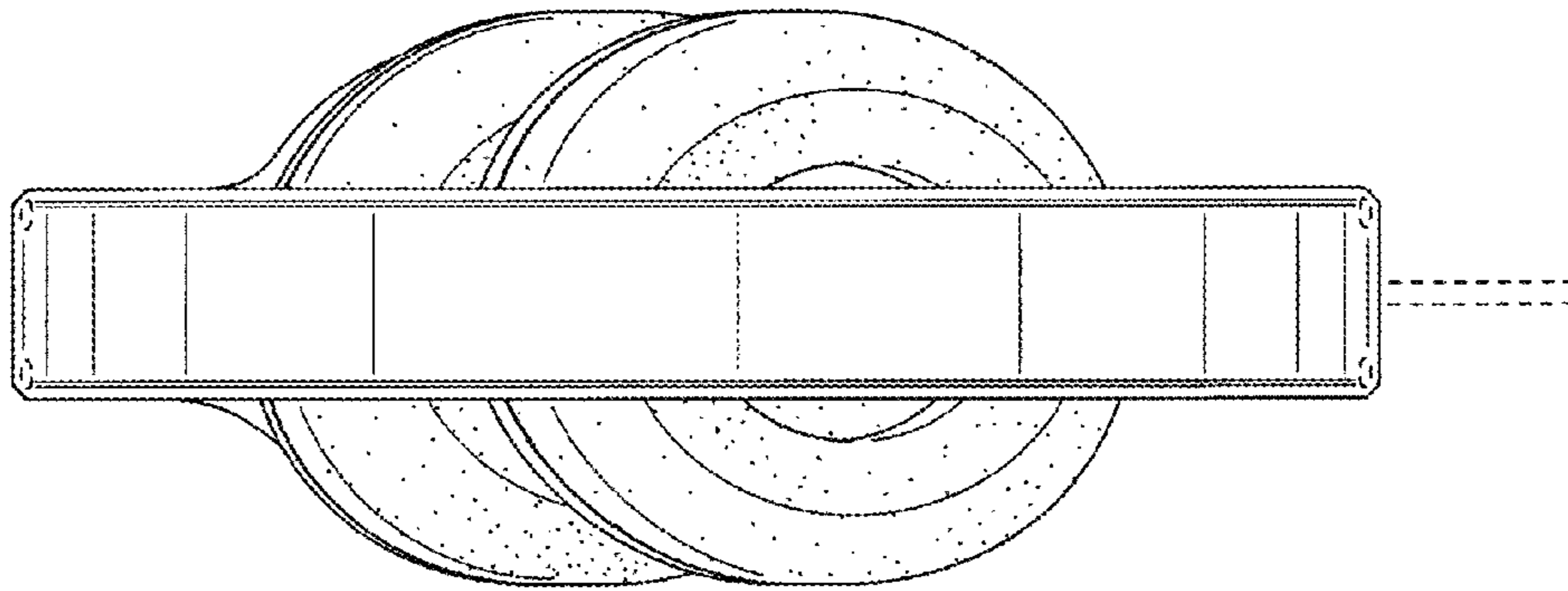


FIG. 10

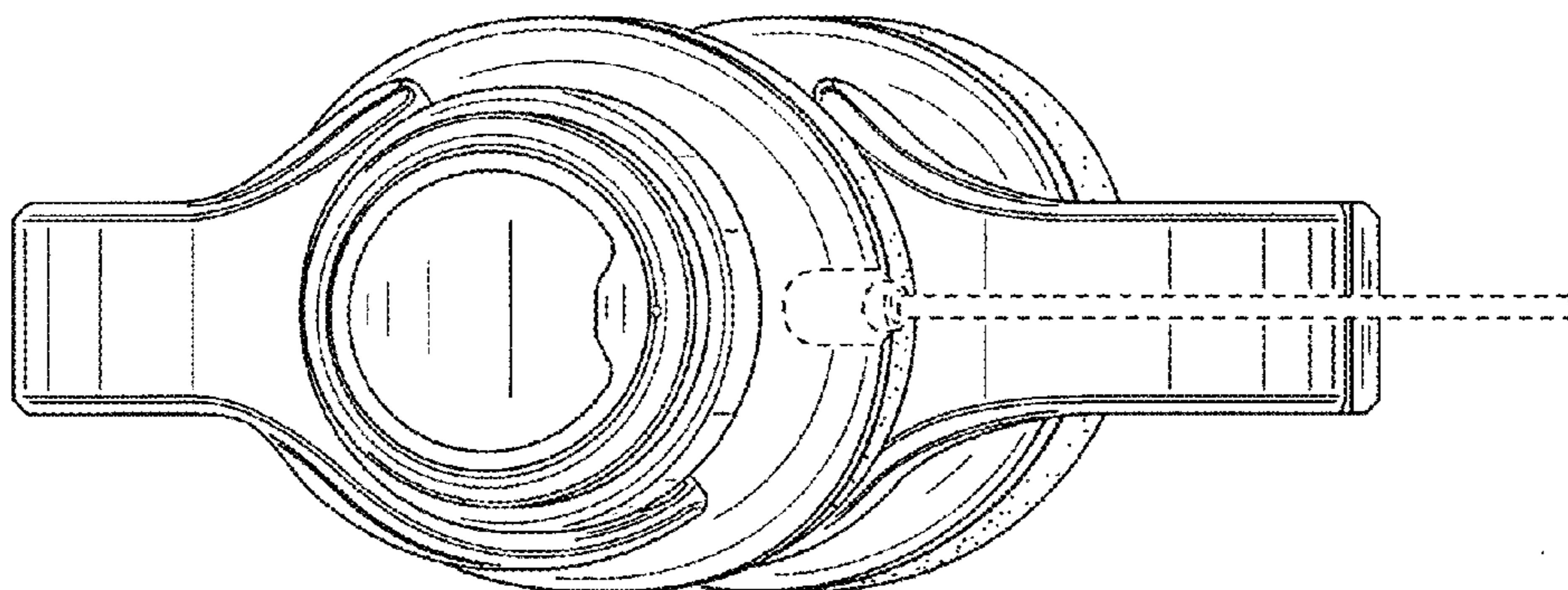


FIG. 11