



US00D758336S

(12) **United States Design Patent**
Kelly et al.

(10) **Patent No.:** **US D758,336 S**
(45) **Date of Patent:** **** Jun. 7, 2016**

(54) **PORTABLE SPEAKER**
(71) Applicant: **Skullcandy, Inc.**, Park City, UT (US)
(72) Inventors: **Peter M. Kelly**, Park City, UT (US);
David G. Vogt, Jr., Salt Lake City, UT (US); **Lucas Wright-Moore**, Salt Lake City, UT (US)

D607,283 S * 1/2010 Mahan et al. D7/606
D623,627 S 9/2010 Alden et al.
D624,057 S 9/2010 Kelly et al.
D641,003 S 7/2011 Alden
8,014,824 B2 9/2011 Alden
D650,356 S 12/2011 Alden et al.
D656,129 S 3/2012 Kelly et al.
D665,776 S 8/2012 Alden et al.

(Continued)

(73) Assignee: **Skullcandy, Inc.**, Park City, UT (US)

FOREIGN PATENT DOCUMENTS

(**) Term: **14 Years**

CA 2515558 A1 2/2007
CA 2697029 A1 2/2007

(21) Appl. No.: **29/497,634**

(Continued)

(22) Filed: **Jul. 25, 2014**

Primary Examiner — Derrick Holland

Assistant Examiner — Janice Lim

(51) **LOC (10) Cl.** **14-01**

(74) *Attorney, Agent, or Firm* — TraskBritt

(52) **U.S. Cl.**

(57) **CLAIM**

USPC **D14/204**

The ornamental design for a portable speaker, as shown and described.

(58) **Field of Classification Search**

DESCRIPTION

USPC D3/20, 200, 201, 273; D7/601–603,
D7/615, 629, 630; D9/414, 423, 432;
D14/203.1, 204, 210, 212, 214, 221,
D14/222, 314, 348, 365; 181/143, 144, 147,
181/148, 150, 153, 157, 198, 199;
381/300–302, 336, 345, 361–364,
381/386–388; 369/6–11
CPC H04R 1/02; H04R 1/021; H04R 1/023;
H04R 5/00; H04R 9/06; H04R 2420/07
See application file for complete search history.

FIG. 1 is a perspective view of a portable speaker, showing our new design;
FIG. 2 is a front view of the portable speaker shown in FIG. 1;
FIG. 3 is a back view of the portable speaker shown in FIG. 1;
FIG. 4 is a left side view of the portable speaker shown in FIG. 1;
FIG. 5 is a right side view of the portable speaker shown in FIG. 1;
FIG. 6 is a top plan view of the portable speaker shown in FIG. 1; and,
FIG. 7 is a bottom plan view of the portable speaker shown in FIG. 1.

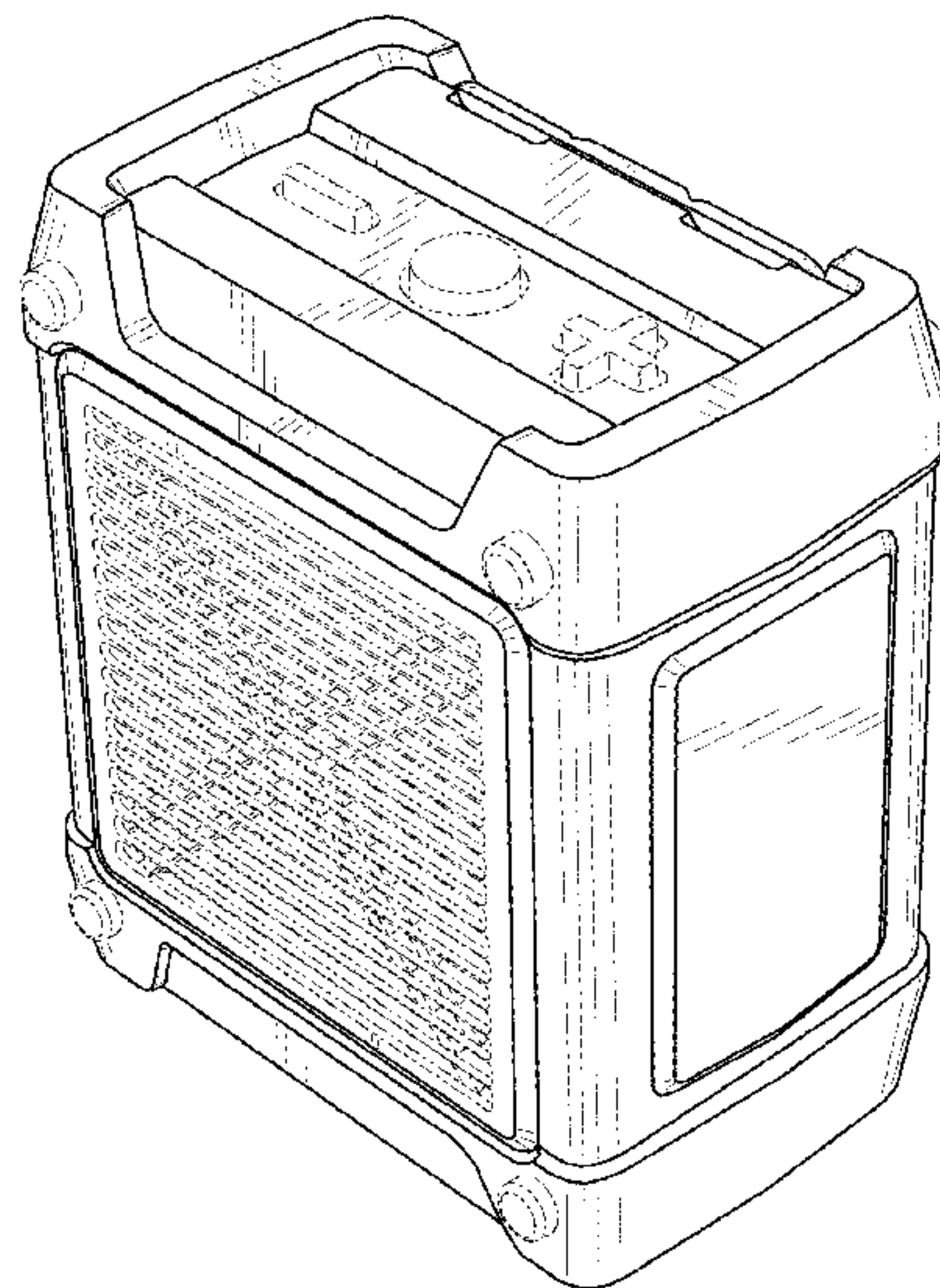
The broken line portions in FIGS. 1-7 are included to show unclaimed subject matter only form no part of the claimed design.

(56) **References Cited**

U.S. PATENT DOCUMENTS

4,168,762 A * 9/1979 Griffin, Jr. 181/163
D315,736 S * 3/1991 Takagi D14/194
6,520,282 B1 * 2/2003 Hadzic et al. 181/199
7,187,948 B2 3/2007 Alden
D568,872 S * 5/2008 Gonzalez D14/214
7,395,090 B2 7/2008 Alden
D599,324 S * 9/2009 Shen D14/196

1 Claim, 6 Drawing Sheets



(56)

References Cited

U.S. PATENT DOCUMENTS

D665,777 S 8/2012 Alden et al.
 D673,136 S 12/2012 Kelly et al.
 D673,140 S 12/2012 Kelly et al.
 D674,372 S 1/2013 Kelly et al.
 D674,376 S 1/2013 Kelly et al.
 D676,023 S 2/2013 Kelly et al.
 D676,024 S 2/2013 Kelly et al.
 D677,241 S 3/2013 Kelly et al.
 D683,717 S 6/2013 Kelly et al.
 8,457,557 B2 6/2013 Alden
 D685,759 S 7/2013 Kelly et al.
 D685,767 S 7/2013 Kelly et al.
 8,515,115 B2 8/2013 Kelly et al.
 D689,464 S 9/2013 Bonahoom et al.
 8,542,859 B2 9/2013 Alden
 D691,582 S 10/2013 Nguyen et al.
 D693,793 S 11/2013 Kelly et al.
 D699,216 S 2/2014 Bonahoom et al.
 D701,193 S 3/2014 Kelly et al.
 D701,196 S 3/2014 Kelly et al.

D701,197 S 3/2014 Kelly et al.
 D707,654 S 6/2014 Nguyen et al.
 2012/0275615 A1 11/2012 Kelly et al.
 2013/0118944 A1 5/2013 Niiro et al.
 2013/0130540 A1 5/2013 Oman et al.
 2013/0177165 A1 7/2013 Oishi
 2013/0177195 A1 7/2013 Sze et al.
 2013/0185905 A1 7/2013 Stiff et al.
 2013/0208909 A1 8/2013 Mülder et al.
 2013/0336514 A1 12/2013 Kelly et al.
 2014/0056459 A1 2/2014 Oishi et al.
 2014/0270228 A1 9/2014 Oishi et al.
 2014/0270230 A1 9/2014 Oishi et al.

FOREIGN PATENT DOCUMENTS

EP 1760896 A1 3/2007
 EP 2262117 A1 12/2010
 WO 2010068495 A2 6/2010
 WO 2010124190 A2 10/2010
 WO 2011085096 A2 7/2011
 WO 2012024656 A2 2/2012

* cited by examiner

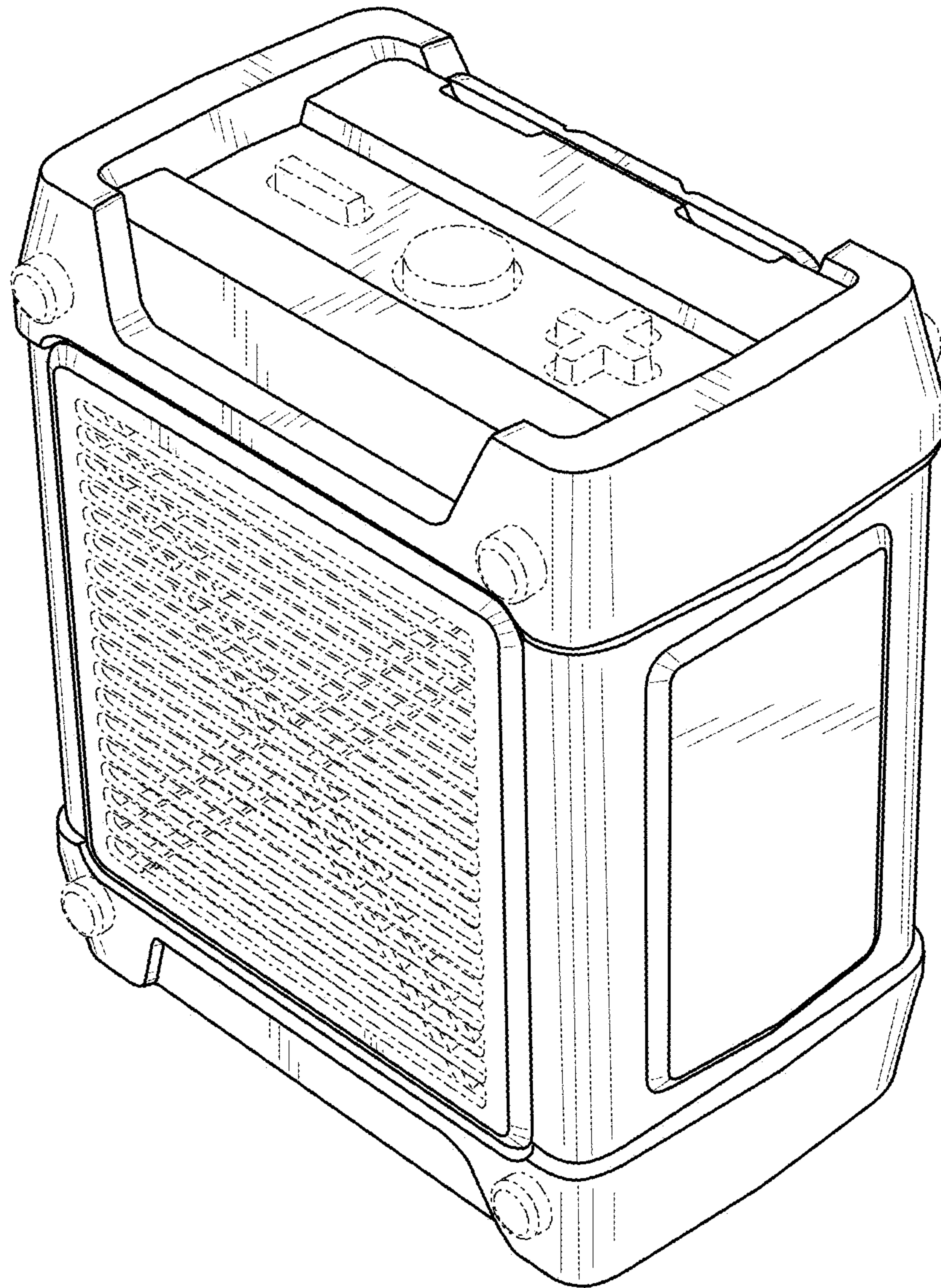


FIG. 1

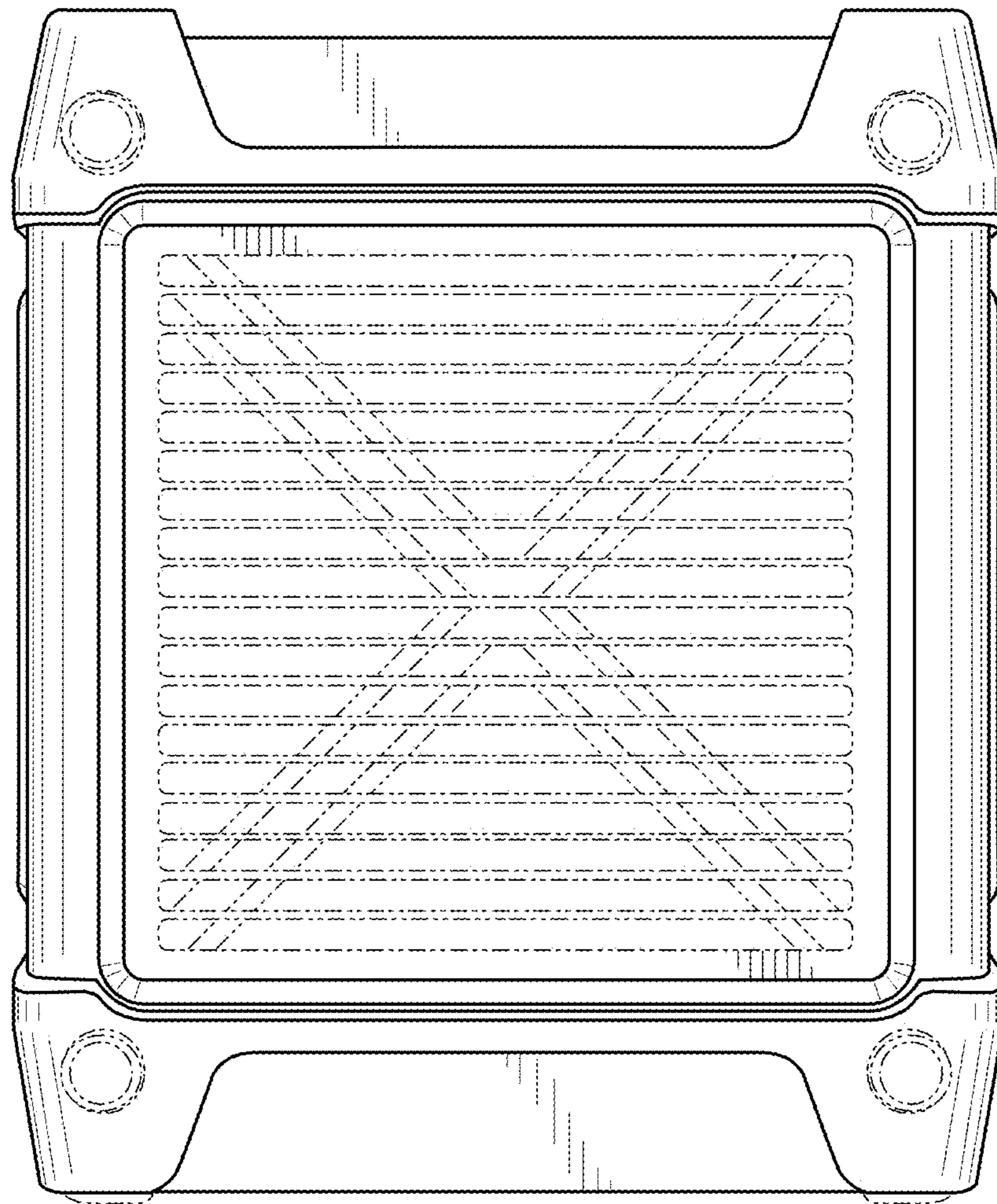


FIG. 2

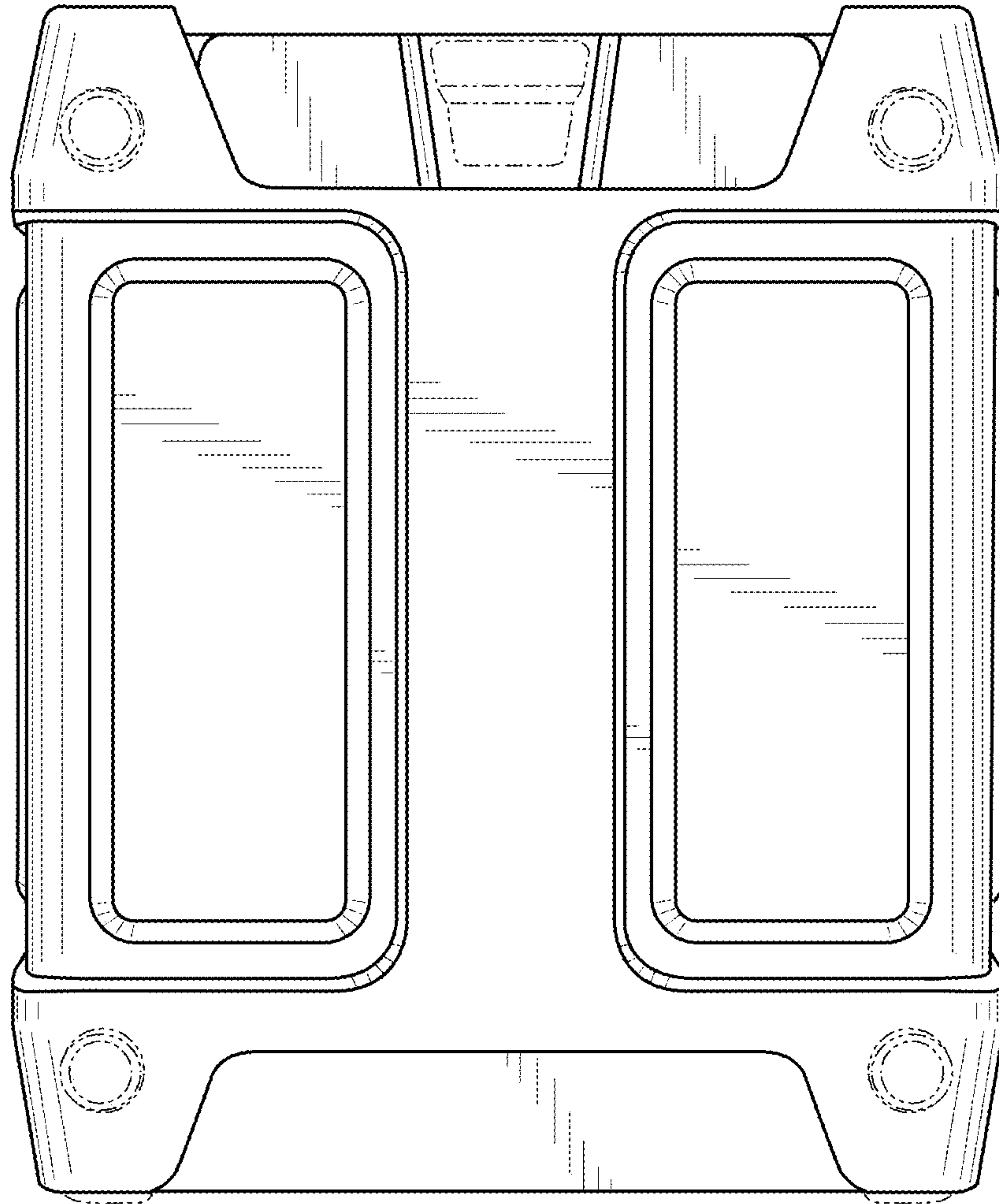


FIG. 3

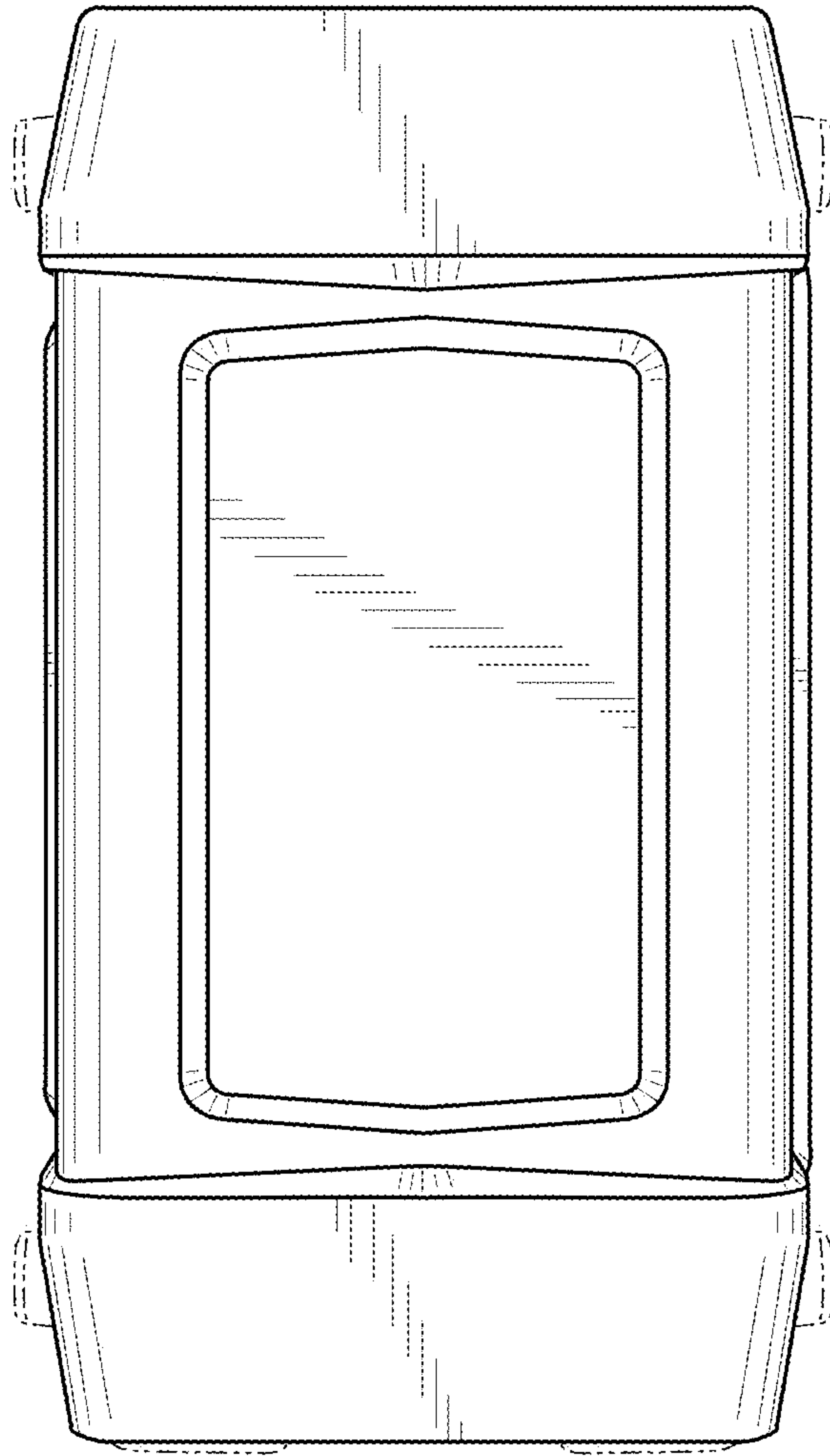


FIG. 4

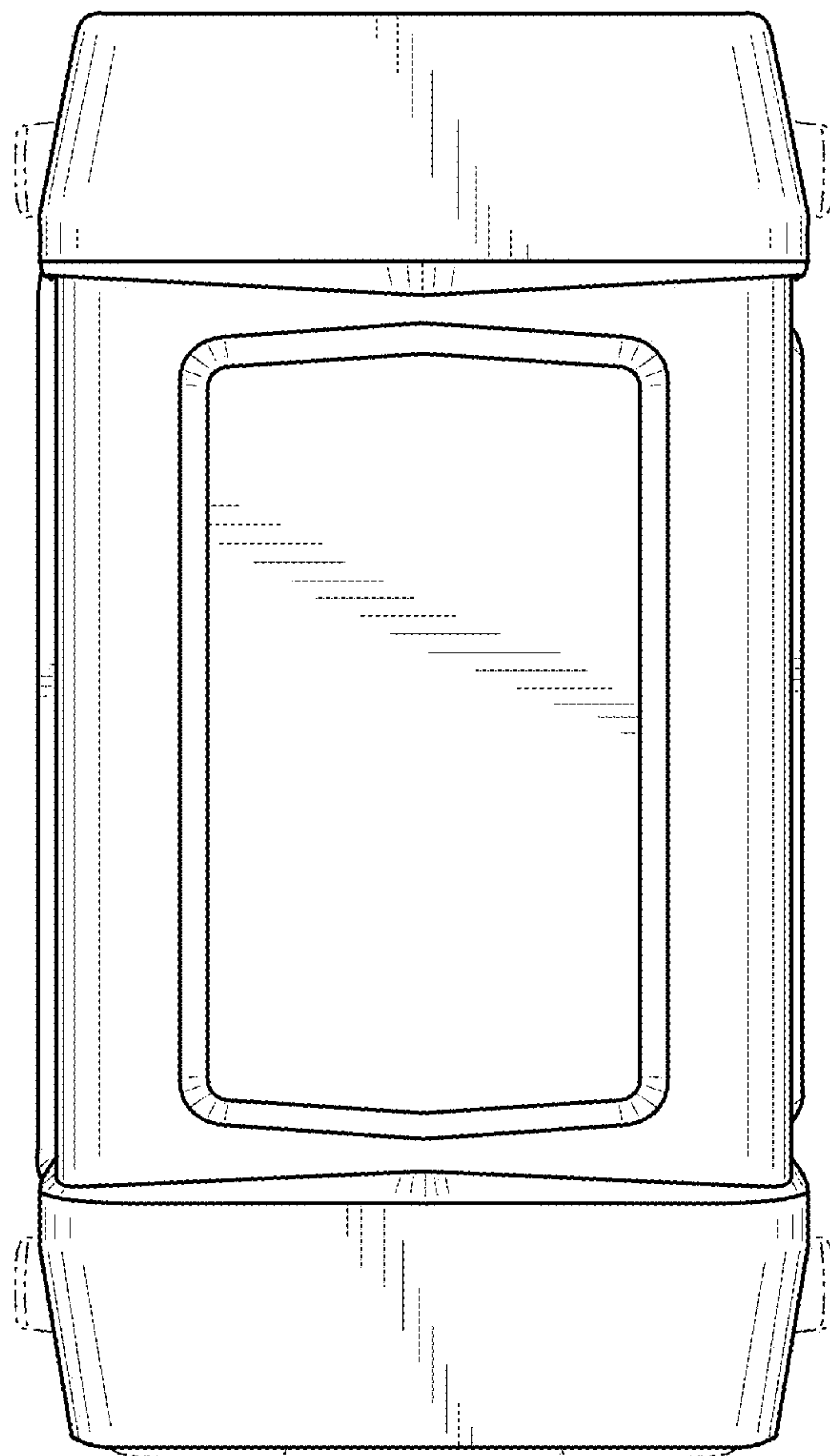


FIG. 5

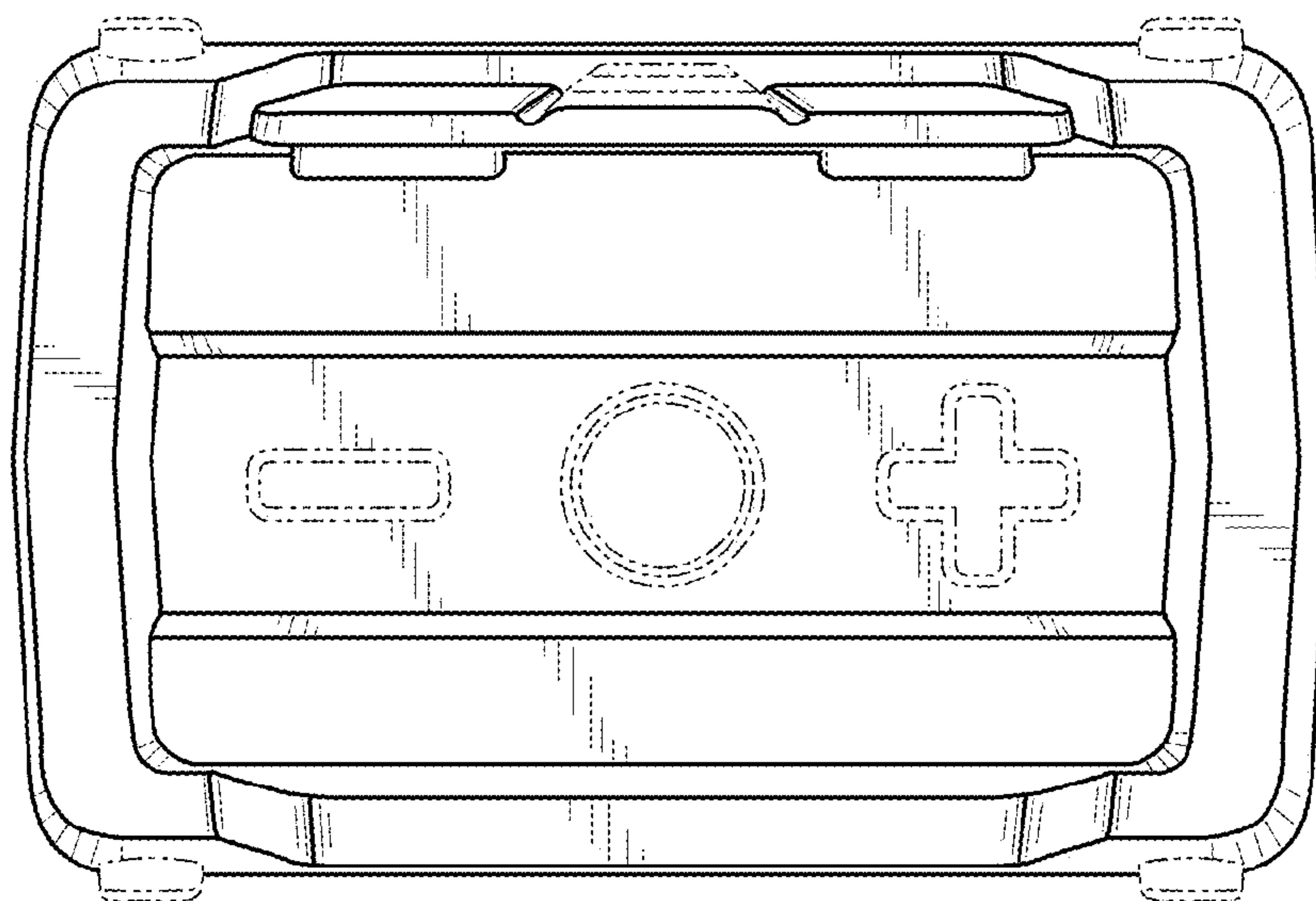


FIG. 6

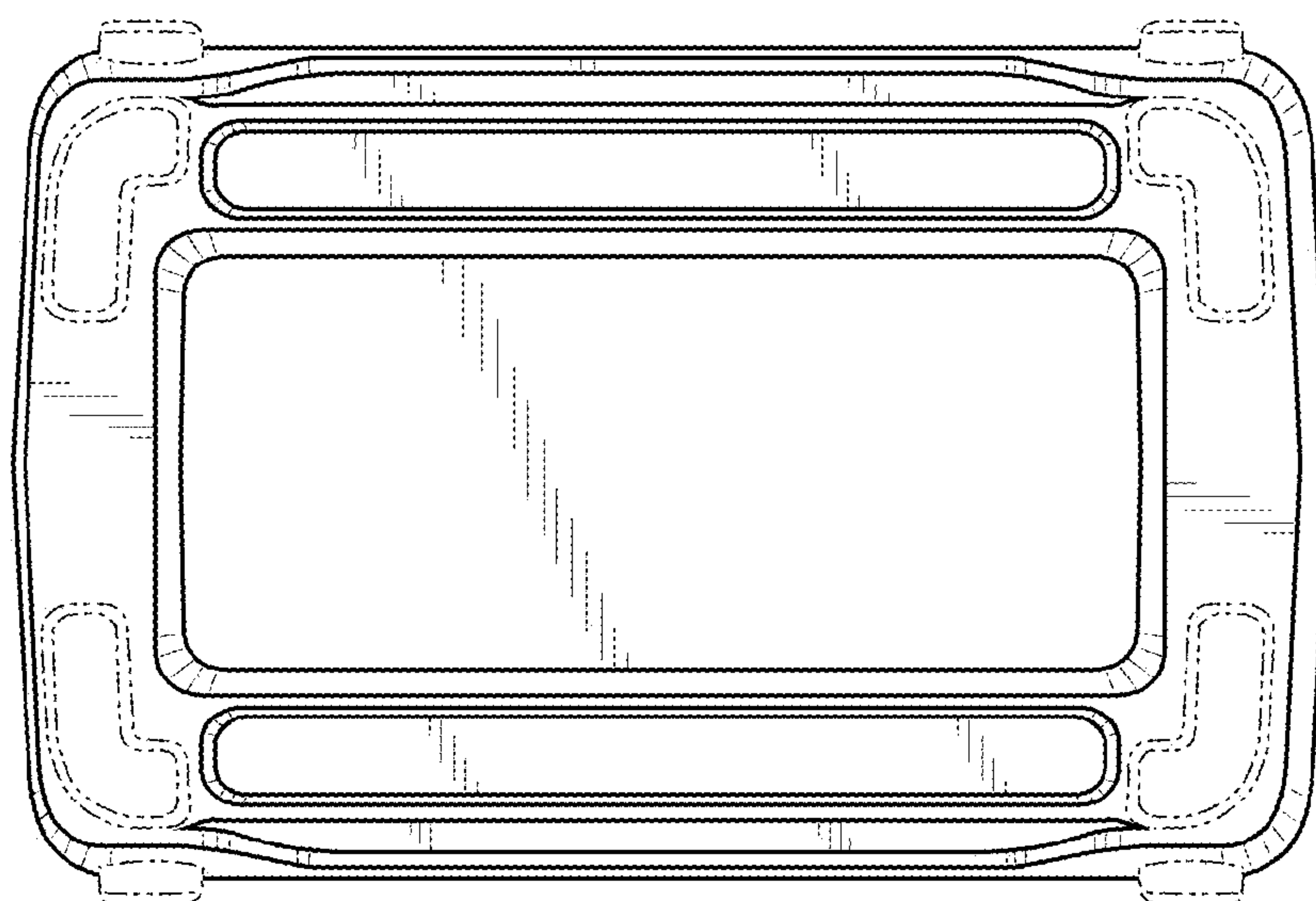


FIG. 7