



US00D758327S

(12) **United States Design Patent**
Mornet et al.

(10) **Patent No.:** **US D758,327 S**
(45) **Date of Patent:** **** Jun. 7, 2016**

(54) **HEAT SINK FOR A LIGHTING DEVICE
MODULE FOR A VEHICLE**

(71) Applicant: **VALEO VISION**, Bobigny (FR)

(72) Inventors: **Eric Mornet**, Nogent sur Marne (FR);
Franck Matte, Vaureal (FR)

(73) Assignee: **Valeo Vision**, Bobigny (FR)

(**) Term: **14 Years**

(21) Appl. No.: **29/503,862**

(22) Filed: **Sep. 30, 2014**

(51) **LOC (10) Cl.** **13-03**

(52) **U.S. Cl.**
USPC **D13/179**

(58) **Field of Classification Search**
USPC D13/179; 165/80.3; 361/704
CPC H05K 1/0203; H01L 23/367; H01L 23/3672;
H01L 23/4093
See application file for complete search history.

D322,594 S	12/1991	McCarthy	
5,311,395 A	5/1994	McGaha et al.	
D361,317 S	8/1995	Harmon et al.	
5,576,933 A	11/1996	Campanella et al.	
D376,349 S	12/1996	Campanella et al.	
5,611,393 A	3/1997	Vasconcelos et al.	
D390,539 S *	2/1998	Campanella	D13/179
D394,043 S	5/1998	Campanella et al.	
D407,381 S *	3/1999	Campanella	D13/179
5,991,154 A	11/1999	Clemens et al.	
D422,970 S	4/2000	Guerrero	
6,097,603 A *	8/2000	Edwards	H01L 23/3672 165/80.3
6,128,191 A *	10/2000	Bell	H01L 23/4093 165/185
6,707,676 B1 *	3/2004	Geva	H01L 23/4093 165/185
7,286,361 B2	10/2007	Yamanaka	
8,437,138 B2 *	5/2013	Wertz	H01L 23/4338 361/720
9,105,598 B2 *	8/2015	Stella	H01L 23/3672

* cited by examiner

Primary Examiner — Selina Sikder

(74) *Attorney, Agent, or Firm* — Jacox, Meckstroth & Jenkins

(56) **References Cited**

U.S. PATENT DOCUMENTS

3,548,927 A	12/1970	Spurling et al.	
4,054,901 A	10/1977	Edwards et al.	
D264,205 S *	5/1982	Logeman	D13/179
D269,606 S *	7/1983	Jordan	D13/179
4,509,839 A	4/1985	Lavochkin	
D284,851 S *	7/1986	Moore	D13/179
4,605,058 A	8/1986	Wilens	
4,729,426 A	3/1988	Hinshaw	
D295,282 S	4/1988	Moore	
D296,778 S	7/1988	McCarthy	
D312,819 S *	12/1990	Marshall	D13/179
D314,945 S *	2/1991	McCarthy	D13/179

(57) **CLAIM**

The ornamental design for a heat sink for a lighting device module for a vehicle, as shown and described.

DESCRIPTION

FIG. 1 is a top view of a heat sink;
FIG. 2 is a bottom view of the heat sink;
FIG. 3 is a front view of the heat sink;
FIG. 4 is a rear view of the heat sink;
FIG. 5 is a side view of the heat sink; and,
FIG. 6 is a perspective view of the heat sink.

1 Claim, 3 Drawing Sheets

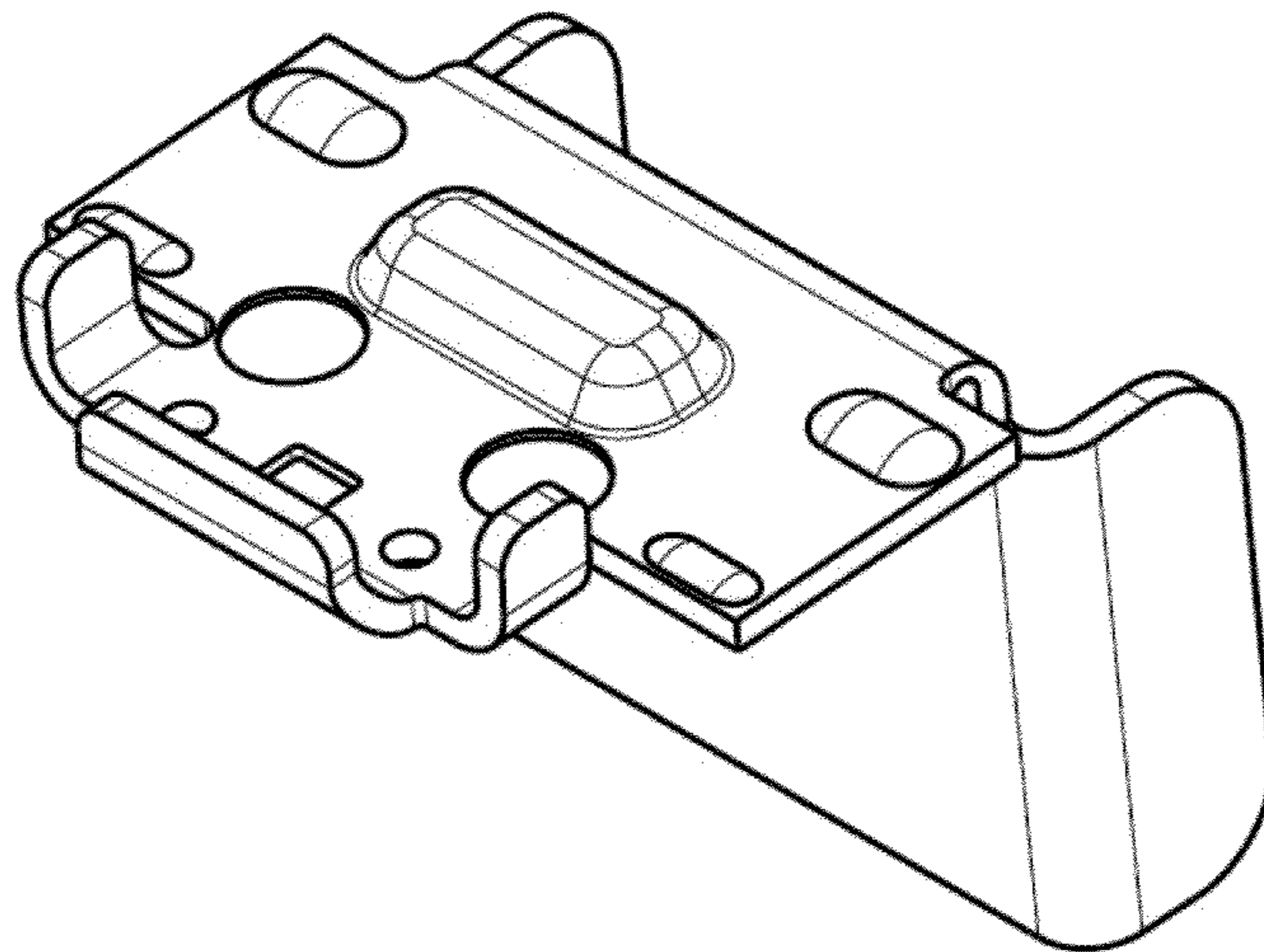


FIG 1

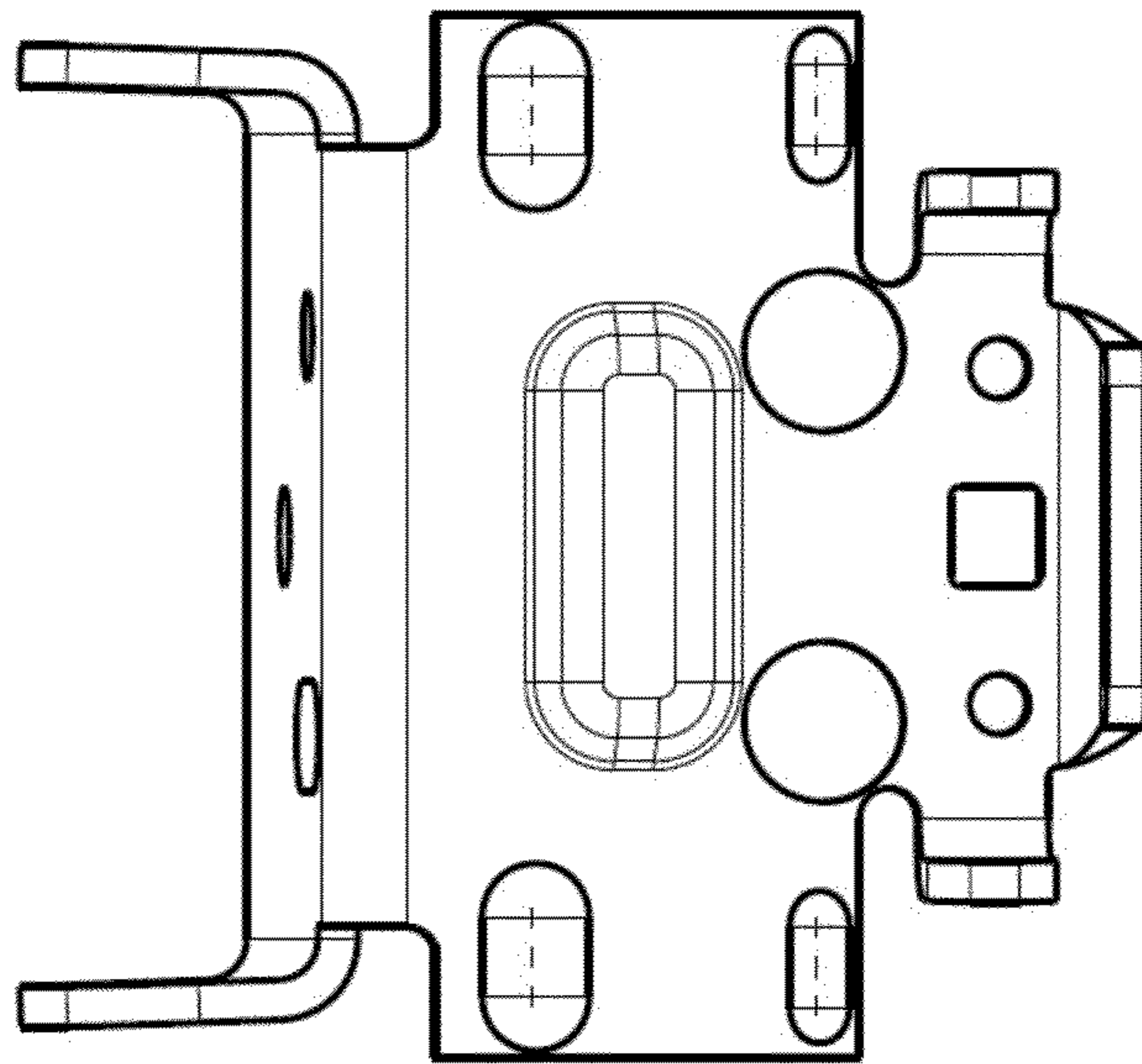


FIG 2

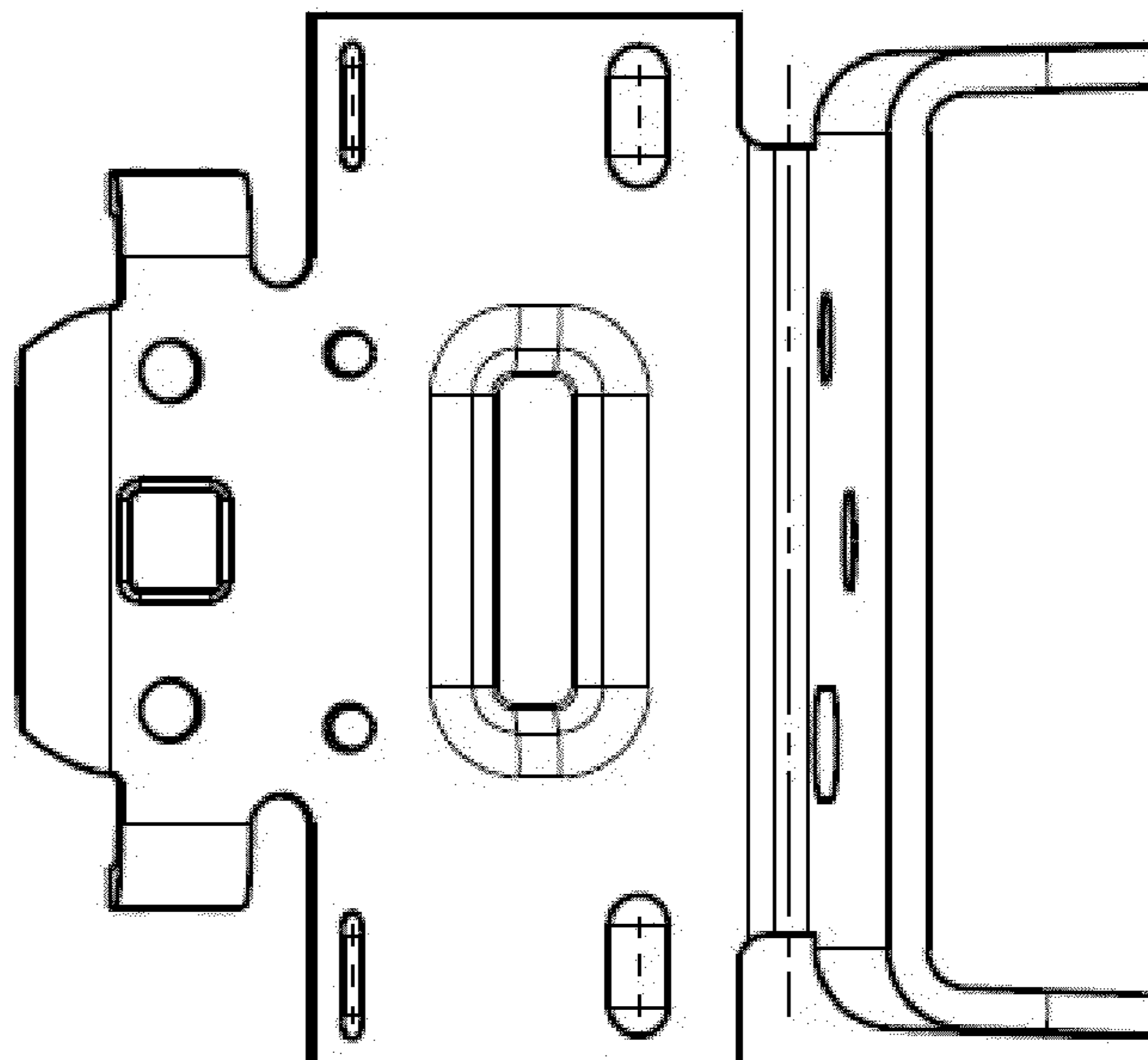


FIG 3

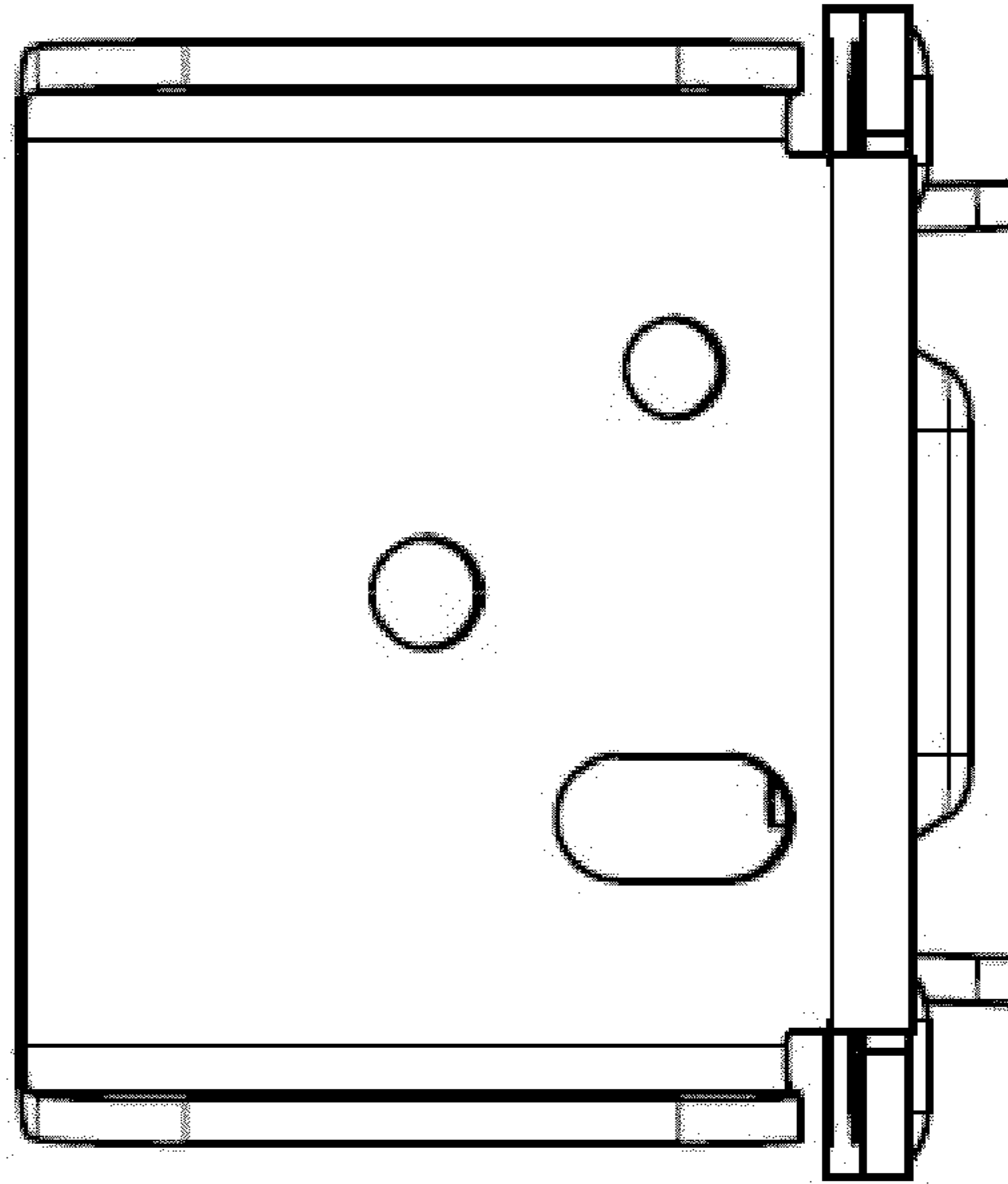


FIG 4

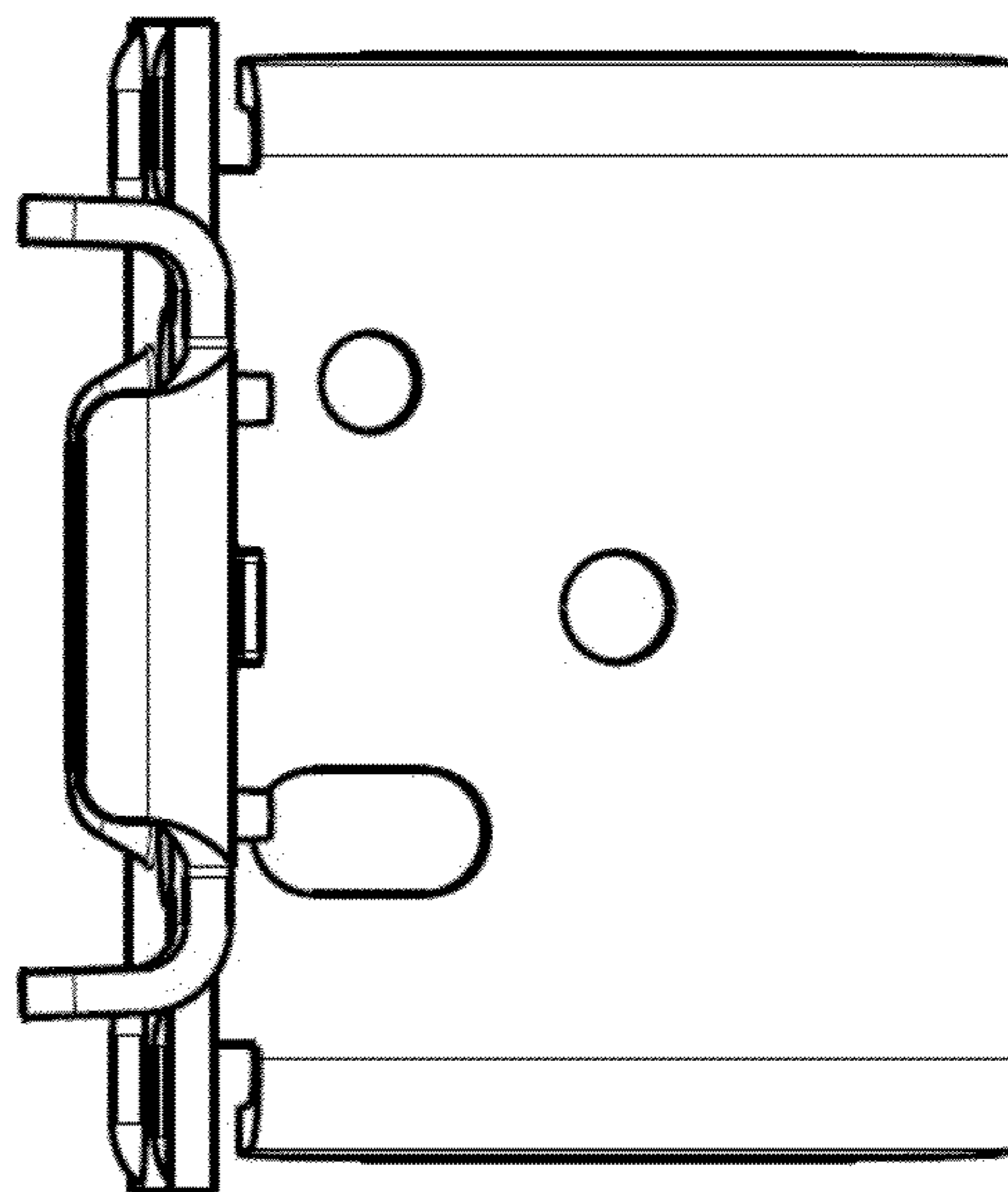


FIG 5

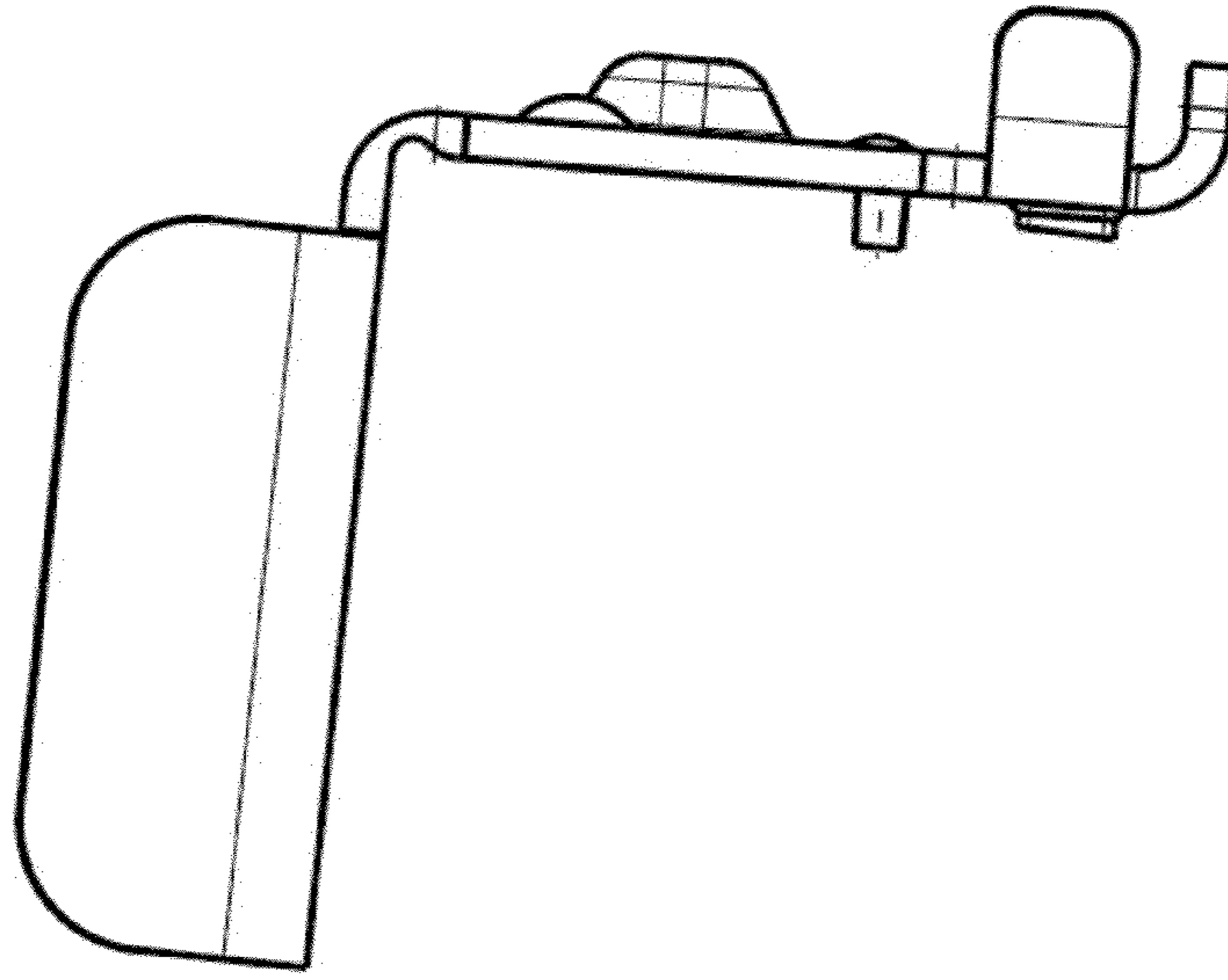


FIG 6

