



US00D758326S

(12) **United States Design Patent**
Dorn et al.

(10) **Patent No.:** **US D758,326 S**
(45) **Date of Patent:** **** Jun. 7, 2016**

(54) **SWITCH**
(71) Applicant: **Raffel Systems, LLC**, Germantown, WI (US)
(72) Inventors: **Douglas A. Dorn**, Brookfield, WI (US);
Paul F. Stangl, West Bend, WI (US)
(73) Assignee: **RAFFEL SYSTEMS, LLC**,
Germantown, WI (US)

(**) Term: **14 Years**
(21) Appl. No.: **29/520,389**

(22) Filed: **Mar. 13, 2015**

(51) **LOC (10) Cl.** **13-03**
(52) **U.S. Cl.**

USPC **D13/174**

(58) **Field of Classification Search**
USPC D13/173, 174
CPC H01H 3/02; H01H 3/022; H01H 3/12;
H01H 3/122; H01H 9/02; H01H 9/0235;
H01H 13/023; H01H 13/04; H01H 13/06;
H01H 13/063; H01H 13/10; H01H 13/12;
H01H 13/14; H01H 13/36; H01H 13/70;
H01H 13/86; H01H 21/24; H01H 25/065;
A47C 1/0345; A47C 1/035; A47C 7/506

See application file for complete search history.

(56) **References Cited**

U.S. PATENT DOCUMENTS

6,800,819 B2 * 10/2004 Sato H01H 3/122
200/314
6,841,748 B2 * 1/2005 Serizawa H01H 13/702
200/314
7,087,847 B2 * 8/2006 Parkinson H01H 13/86
200/302.2
7,119,289 B2 * 10/2006 Lacroix H01H 13/70
200/5 A
7,217,897 B2 * 5/2007 Mattarelli H01H 13/04
200/293

D556,268 S * 11/2007 Luciano, Jr. D13/171
D685,333 S * 7/2013 Beroukas D13/174
D691,099 S * 10/2013 Li D13/174
D691,971 S * 10/2013 Li D13/174
D692,401 S * 10/2013 Li D13/174
8,766,115 B2 * 7/2014 Kristen H01H 25/065
200/5 A
D712,847 S * 9/2014 Dorn D13/174
D720,305 S * 12/2014 Wenji D13/174
D733,078 S * 6/2015 Wu D13/171
D740,238 S * 10/2015 Dorn D13/174
2004/0074756 A1 * 4/2004 Kawakami B41J 29/02
200/600
2011/0198894 A1 * 8/2011 Hsieh A47C 1/0242
297/68
2014/0353134 A1 * 12/2014 Muller H01H 3/20
200/5 A
2015/0251573 A1 * 9/2015 Misch B60N 2/665
297/452.41

* cited by examiner

Primary Examiner — Selina Sikder

(74) *Attorney, Agent, or Firm* — Tyler J. Sisk; Casimir Jones, S.C.

(57) **CLAIM**

The ornamental design for a switch, as shown and described.

DESCRIPTION

FIG. 1 is a three-quarter perspective view showing our new design of a switch;
FIG. 2 is a front elevational view thereof, the rear elevational view being identical;
FIG. 3 is a left side elevational view thereof, the right side elevational view being identical;
FIG. 4 is a top plan view thereof; and,
FIG. 5 is a bottom plan view thereof.
The broken lines shown in FIGS. 1 through 5 are for the purpose of illustrating environment, and form no part of the claimed design.

1 Claim, 5 Drawing Sheets

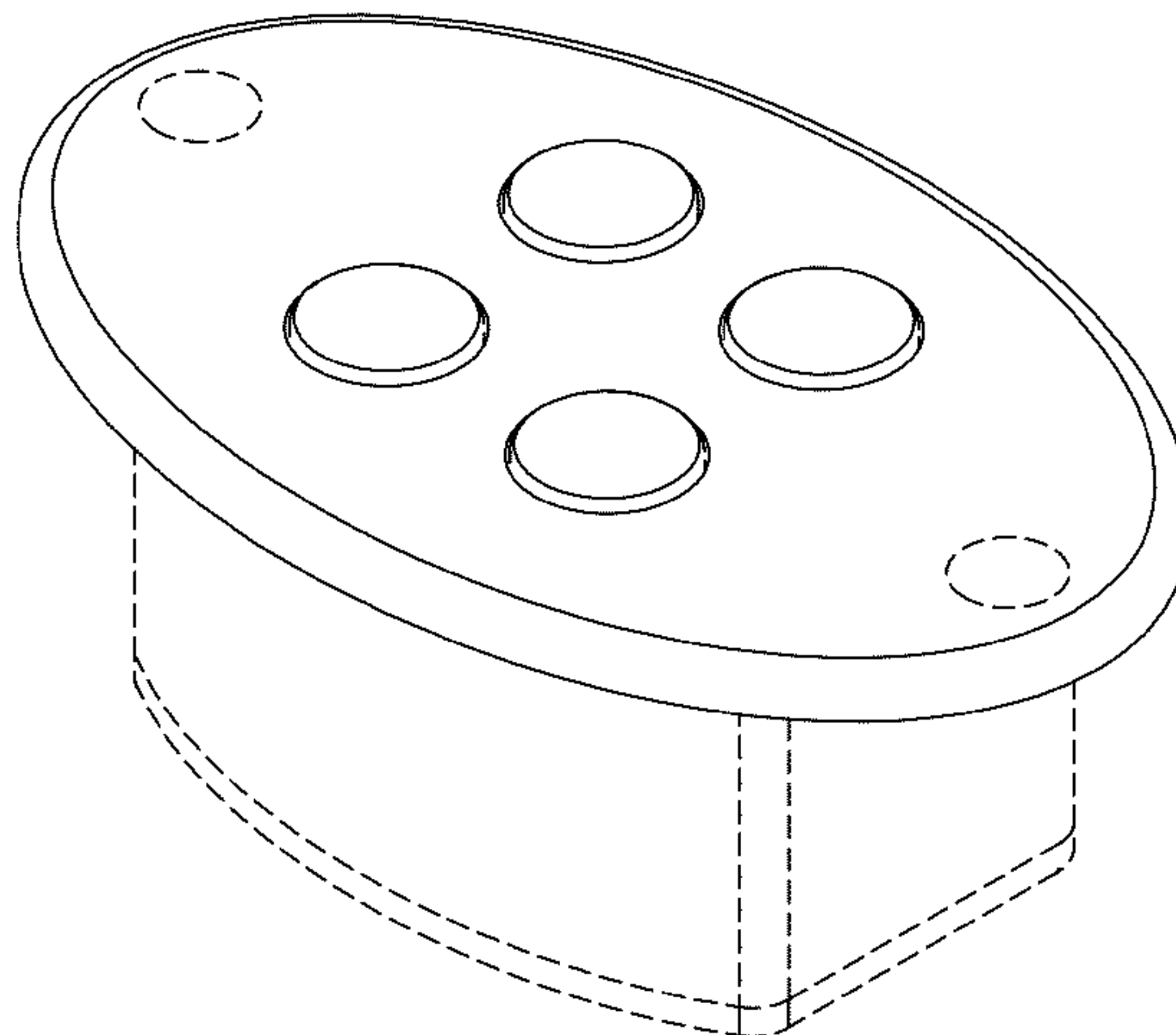


FIG. 1

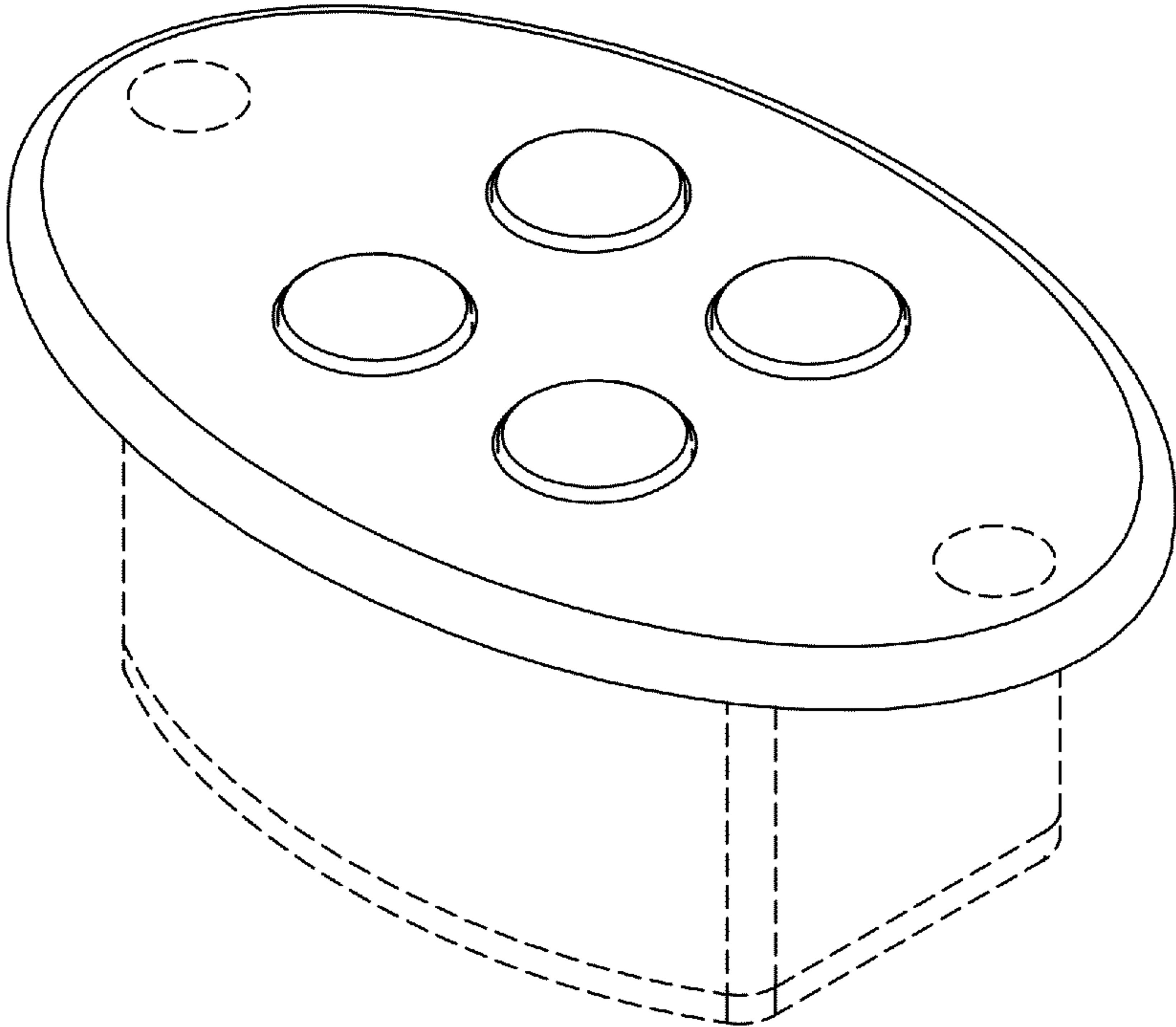


FIG. 2

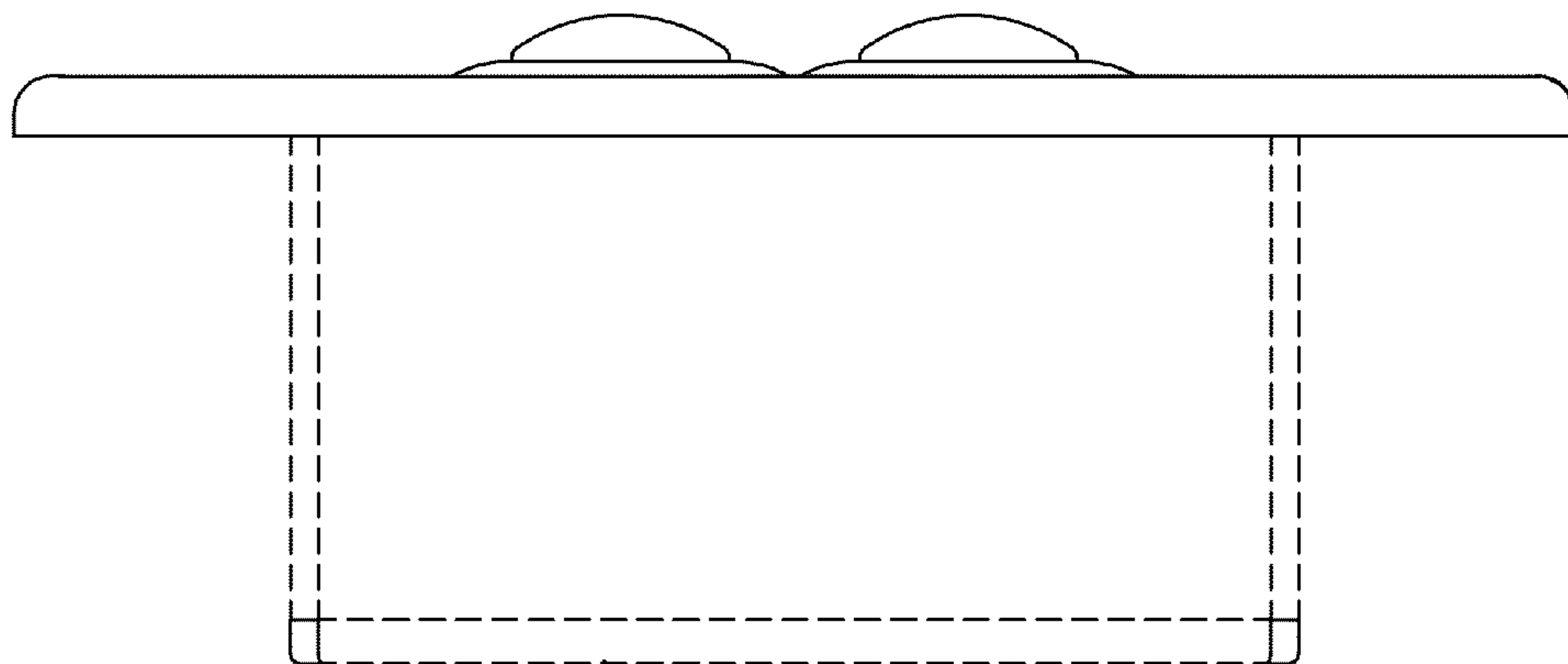


FIG. 3

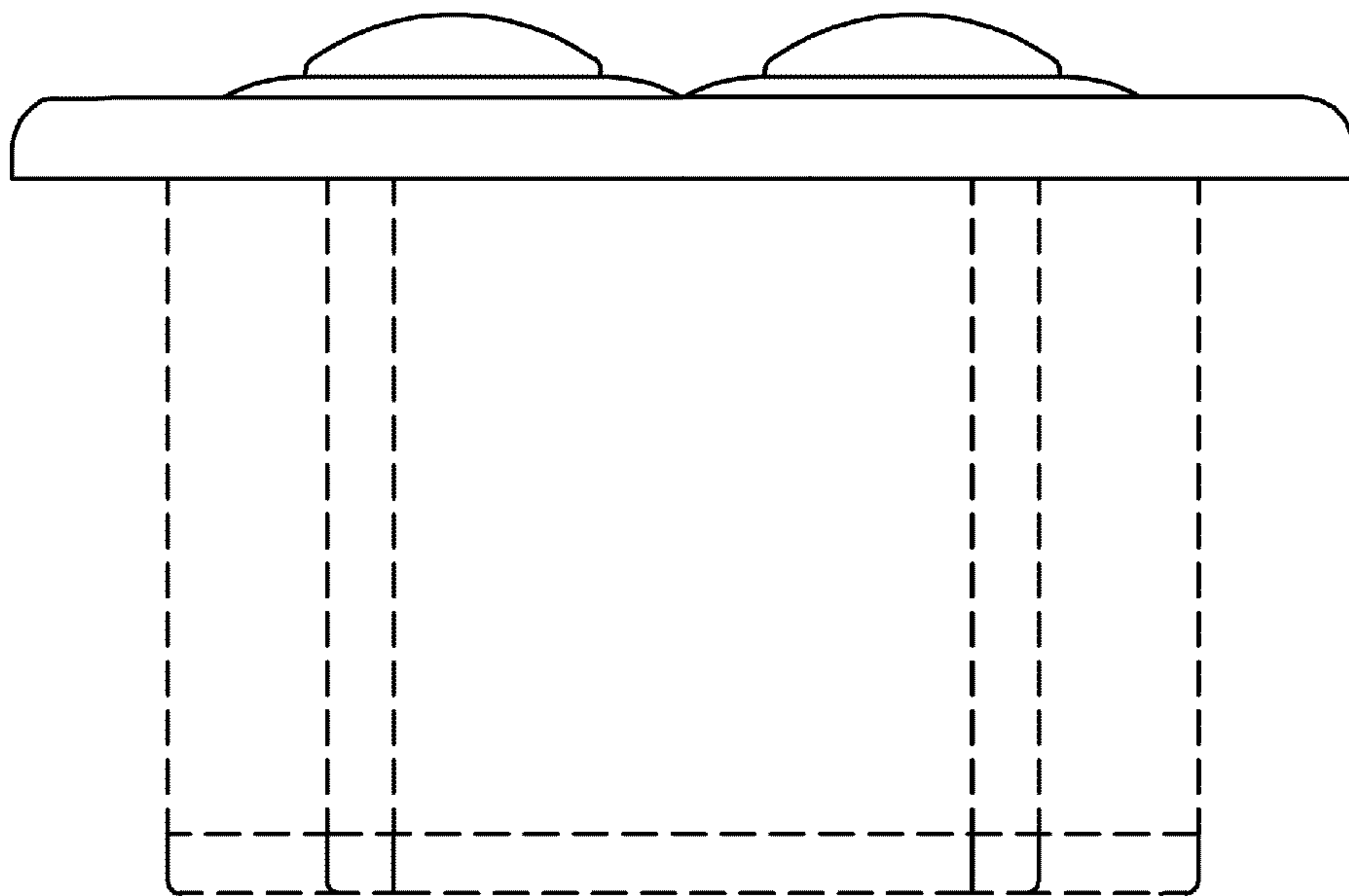


FIG. 4

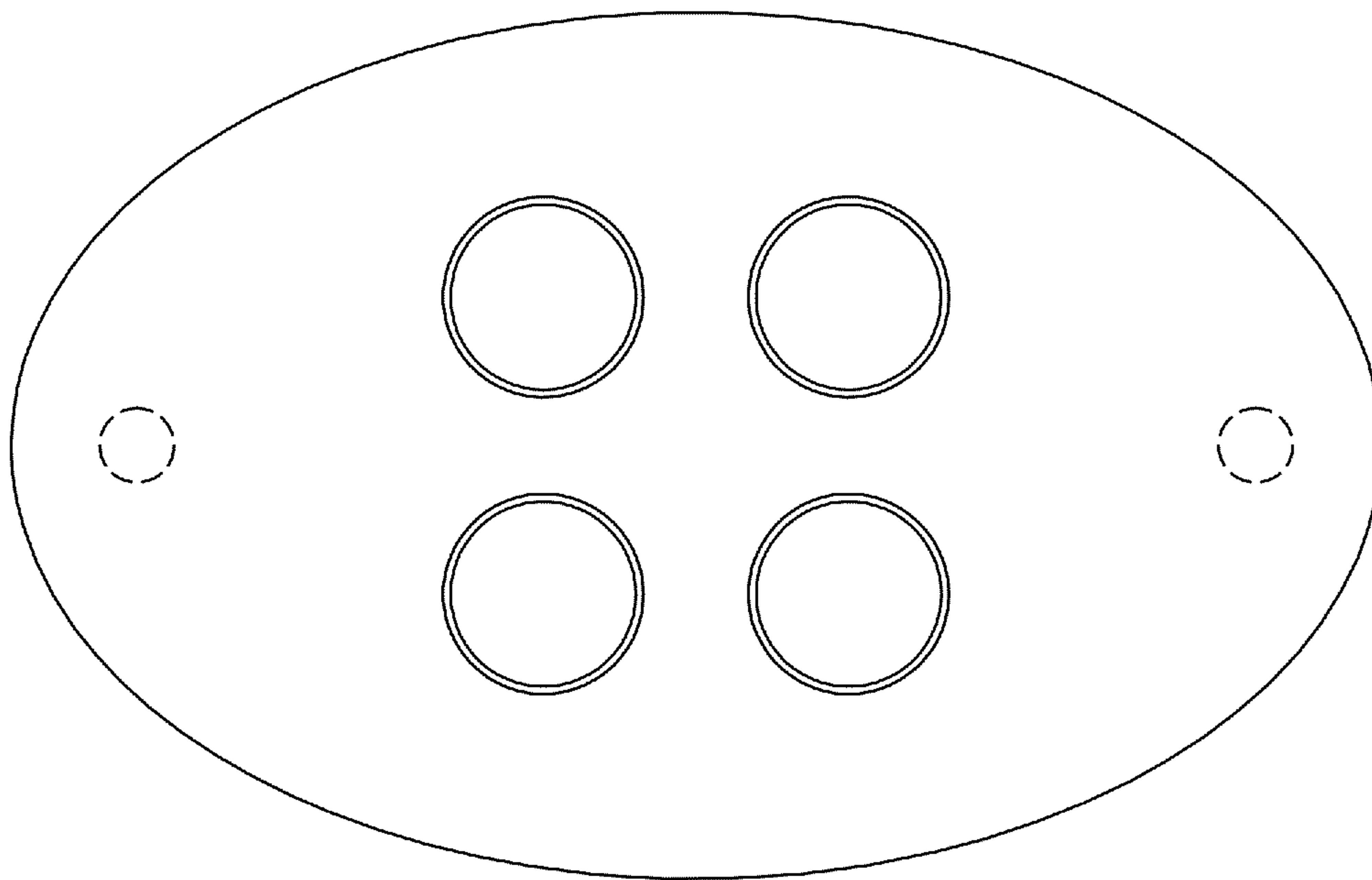


FIG. 5

