



US00D758325S

(12) **United States Design Patent**
Cook et al.

(10) **Patent No.:** **US D758,325 S**
(45) **Date of Patent:** **** *Jun. 7, 2016**

(54) **REMOTE CONTROL**

(71) Applicant: **Inseat Solutions, LLC**, Santa Fe Springs, CA (US)

(72) Inventors: **Jeff S. Cook**, Dove Canyon, CA (US);
Cecilia Locsin, Whittier, CA (US)

(73) Assignee: **INSEAT SOLUTIONS, LLC**, Santa Fe Springs, CA (US)

(*) Notice: This patent is subject to a terminal disclaimer.

(**) Term: **14 Years**

(21) Appl. No.: **29/446,967**

(22) Filed: **Feb. 28, 2013**

(51) **LOC (10) Cl.** **13-03**

(52) **U.S. Cl.**

USPC **D13/168**; D13/171

(58) **Field of Classification Search**

USPC D13/168, 171, 174; D14/218; 200/5 R, 200/5 A, 302.2, 520, 530, 293, 296, 308, 200/310, 314, 329, 341; 341/176; 340/4.3, 340/4.42, 12.22, 12.3, 12.24, 12.29, 12.55, 340/13.2, 13.21, 13.24; 700/17, 65, 83
See application file for complete search history.

(56) **References Cited**

U.S. PATENT DOCUMENTS

5,118,909 A * 6/1992 Husting 200/81 H
D432,998 S * 10/2000 Decosse D13/174
D516,045 S * 2/2006 Street D13/171

7,132,615 B1 * 11/2006 Greer 200/313
D559,797 S * 1/2008 Neveu et al. D13/174
D561,707 S * 2/2008 Neveu et al. D13/174
8,138,942 B2 * 3/2012 Otsuka et al. 340/815.78
D662,065 S * 6/2012 Cook D13/168
8,653,390 B2 * 2/2014 Shim et al. 200/341
D720,305 S * 12/2014 Wenji D13/174
2009/0121905 A1 * 5/2009 Griffin et al. 341/35
2013/0292236 A1 * 11/2013 Kristen 200/5 A
2014/0224631 A1 * 8/2014 Hanaoka 200/341
2014/0291131 A1 * 10/2014 Sago 200/302.2

* cited by examiner

Primary Examiner — Selina Sikder

(74) *Attorney, Agent, or Firm* — Fox Rothschild LLP

(57) **CLAIM**

The ornamental design for remote control, as shown and described.

DESCRIPTION

FIG. 1 is an exploded top-right perspective view of a remote control according to the new design;
FIG. 2 is a bottom-right exploded perspective view thereof;
FIG. 3 is another perspective view thereof;
FIG. 4 is a top plan view thereof;
FIG. 5 is a front view thereof;
FIG. 6 is a right view thereof;
FIG. 7 is a left view thereof;
FIG. 8 is a back view thereof; and,
FIG. 9 is a bottom view thereof.

The power chord, which protrudes from the bottom of the remote control, are shown for the purpose of illustrating environmental structure, and forms no part of the claimed design.

1 Claim, 5 Drawing Sheets

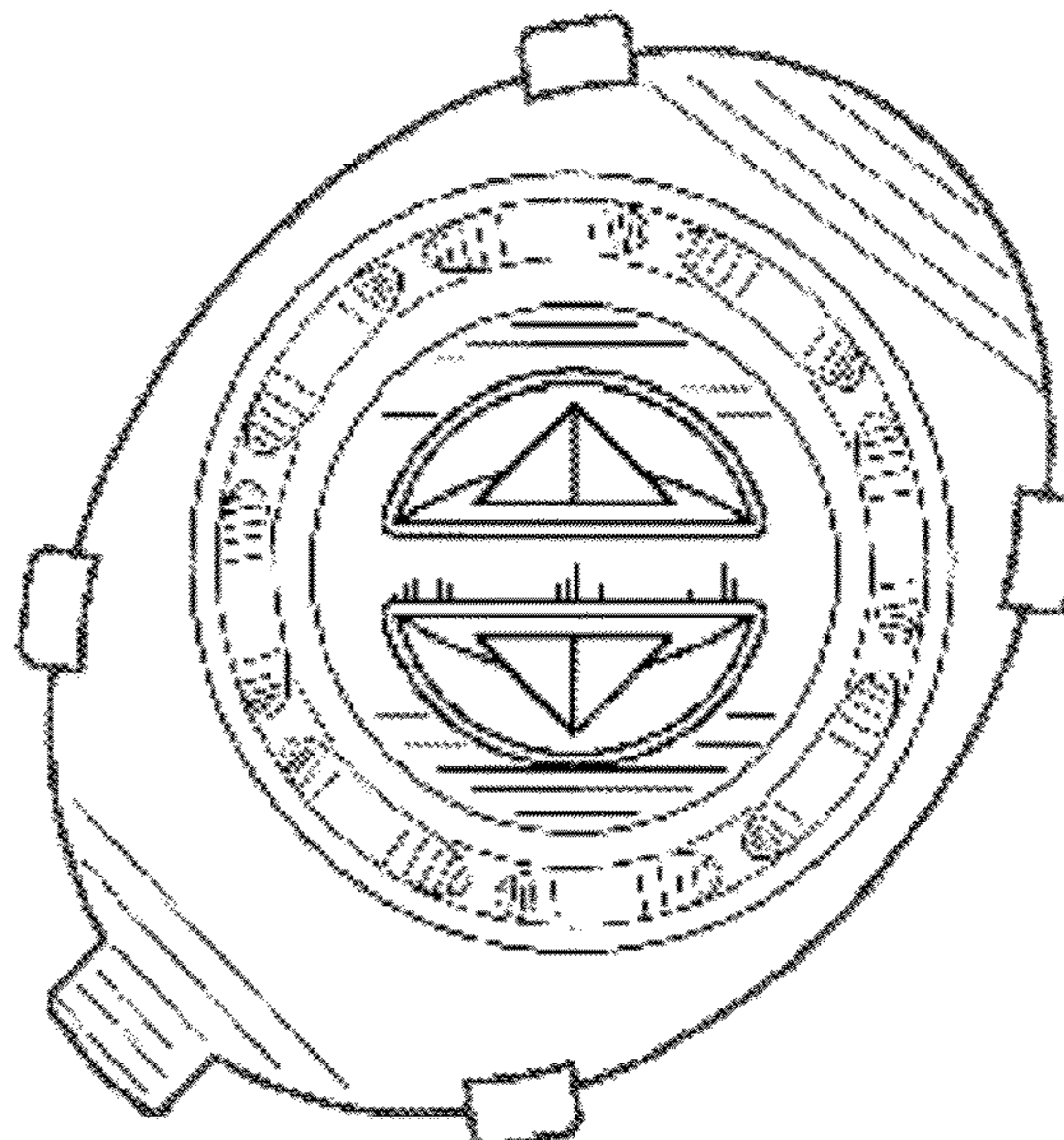
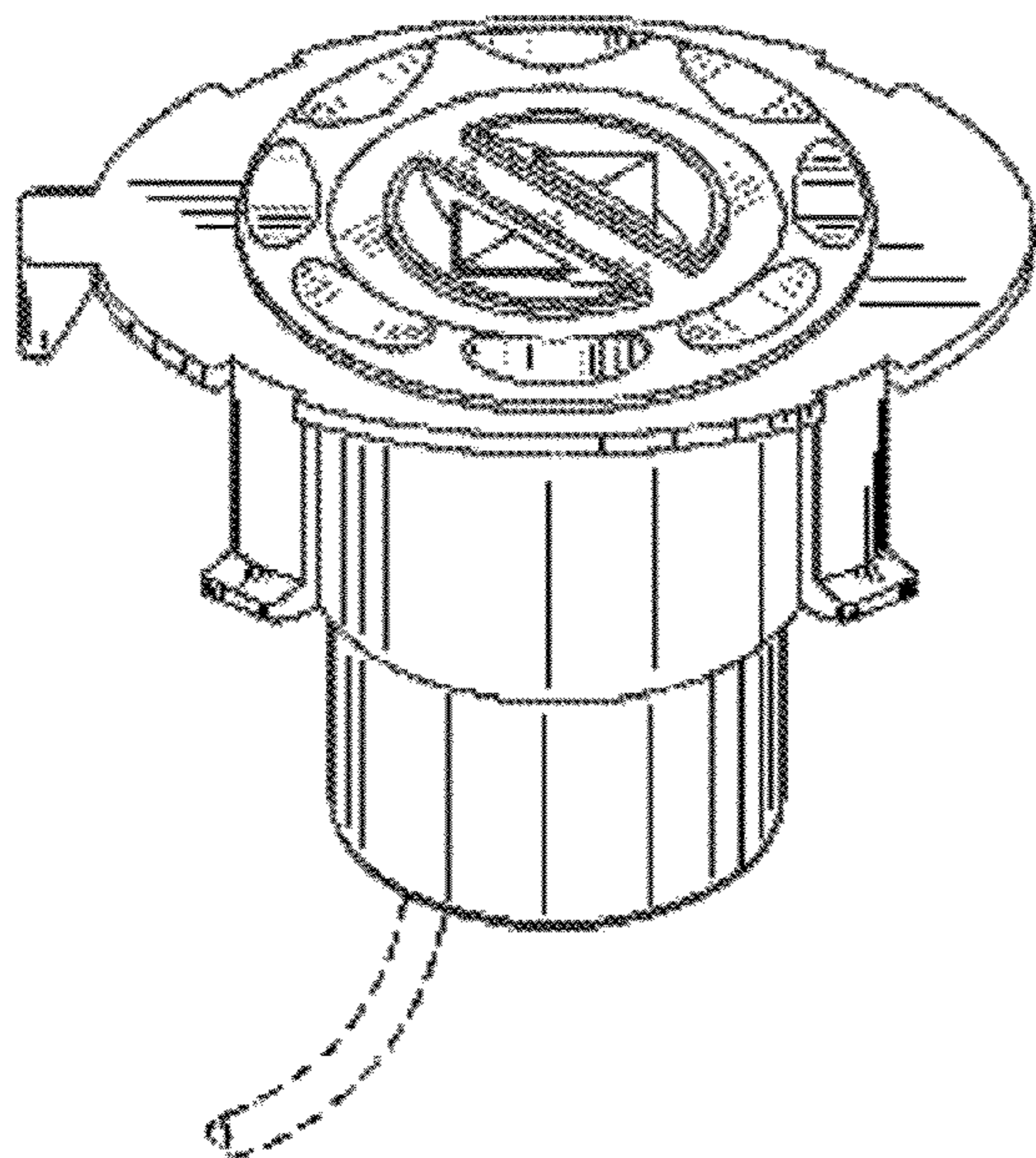


Figure 1

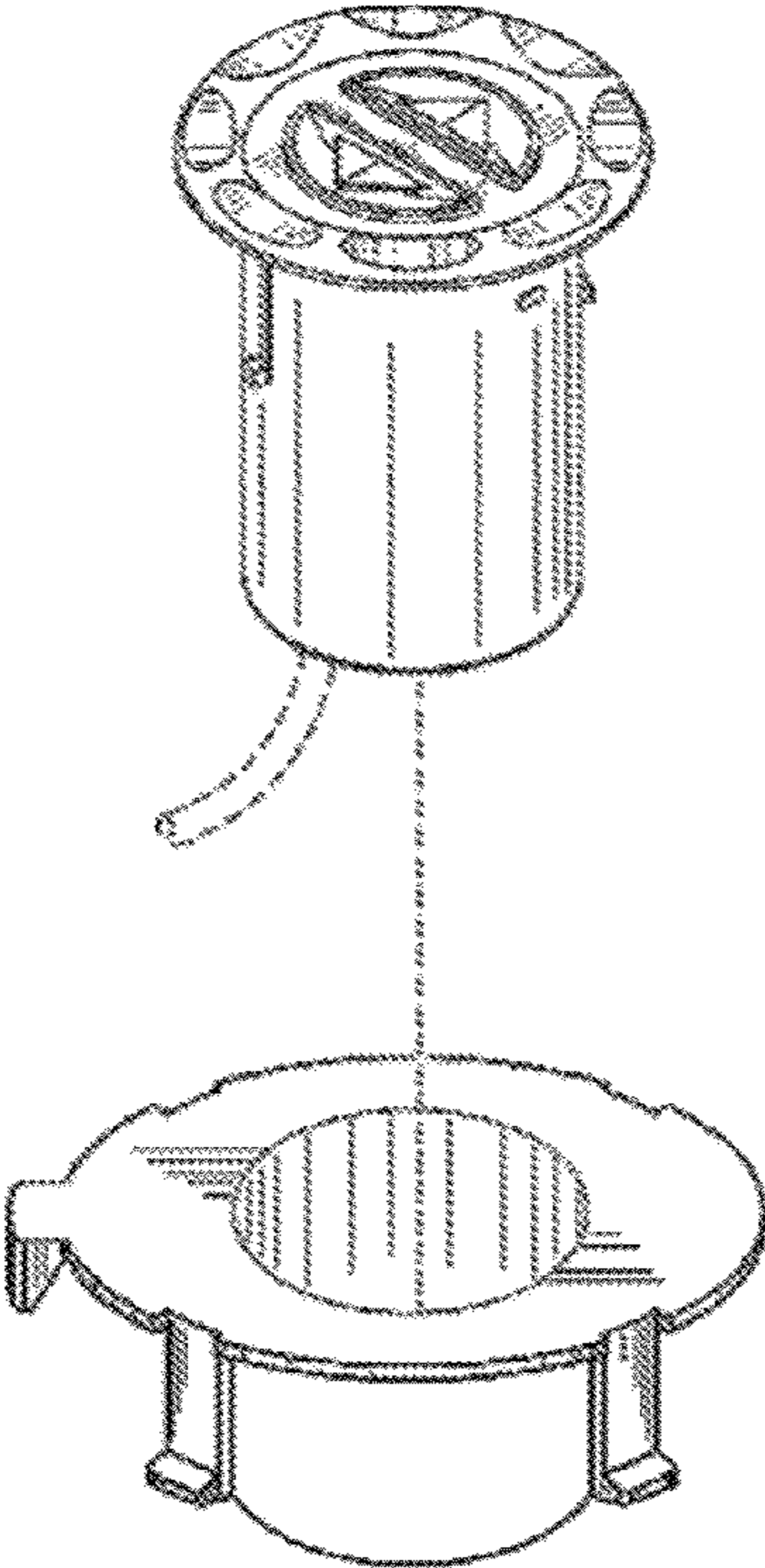


FIGURE 2

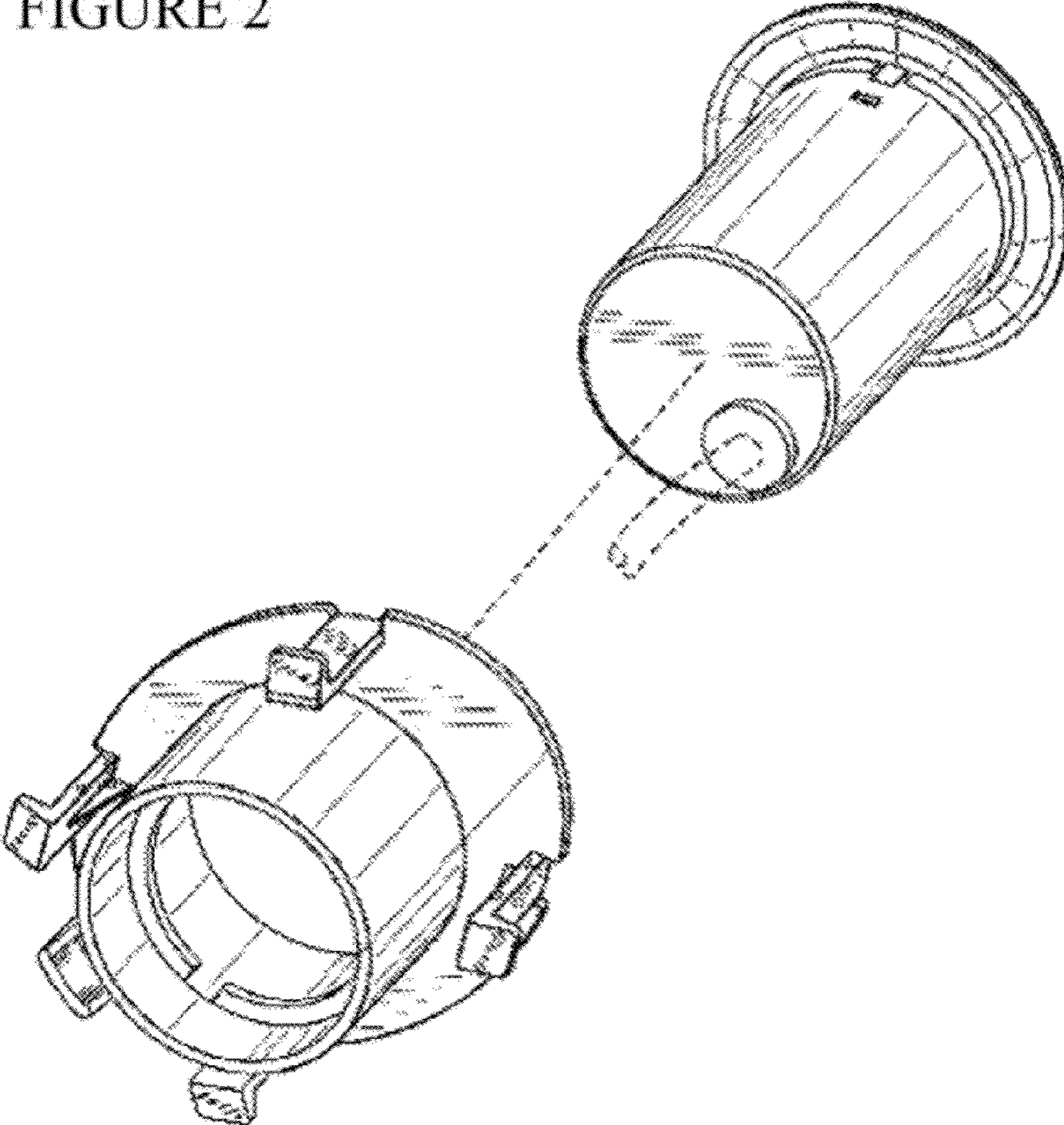


FIGURE 3

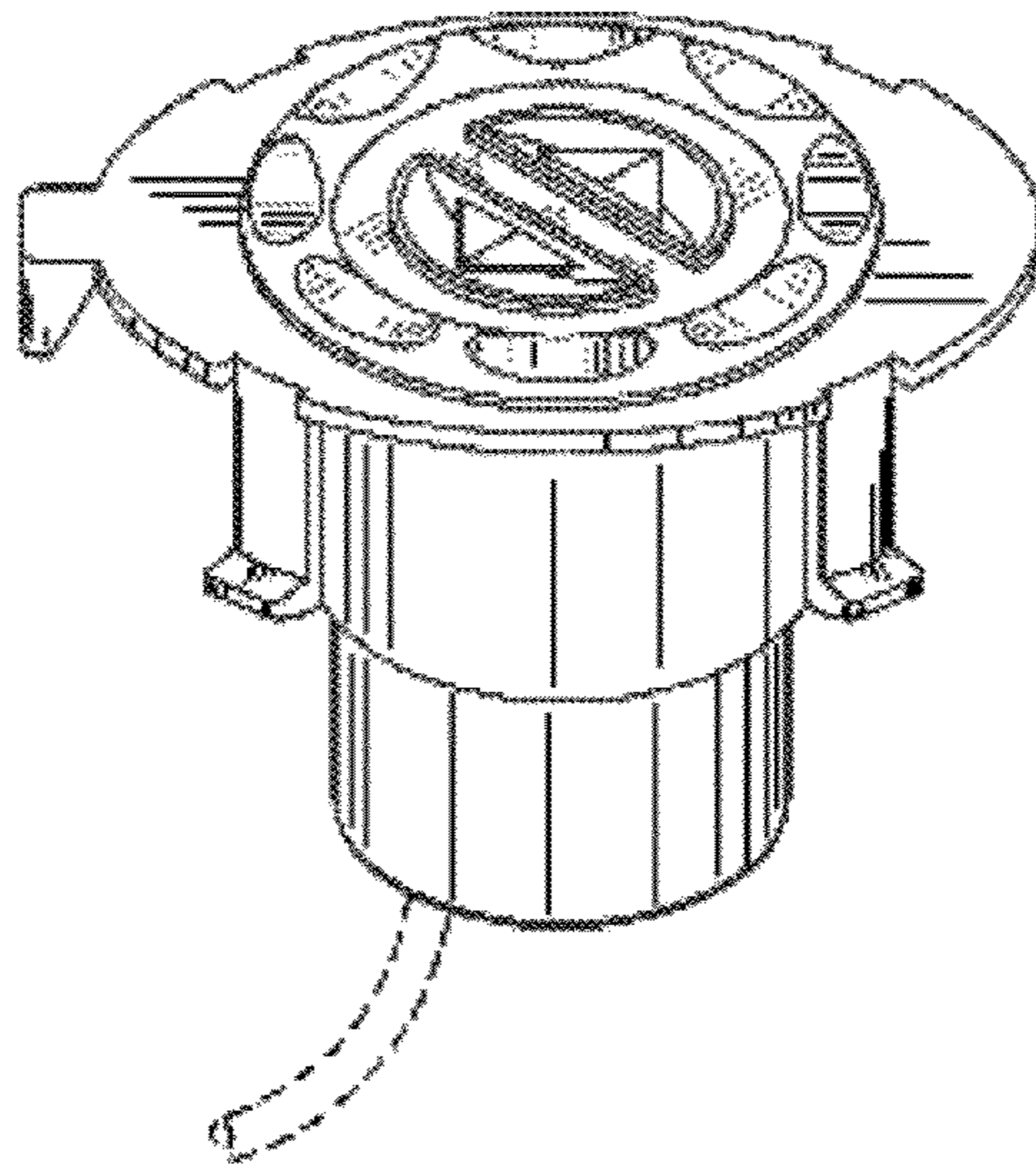


FIGURE 4

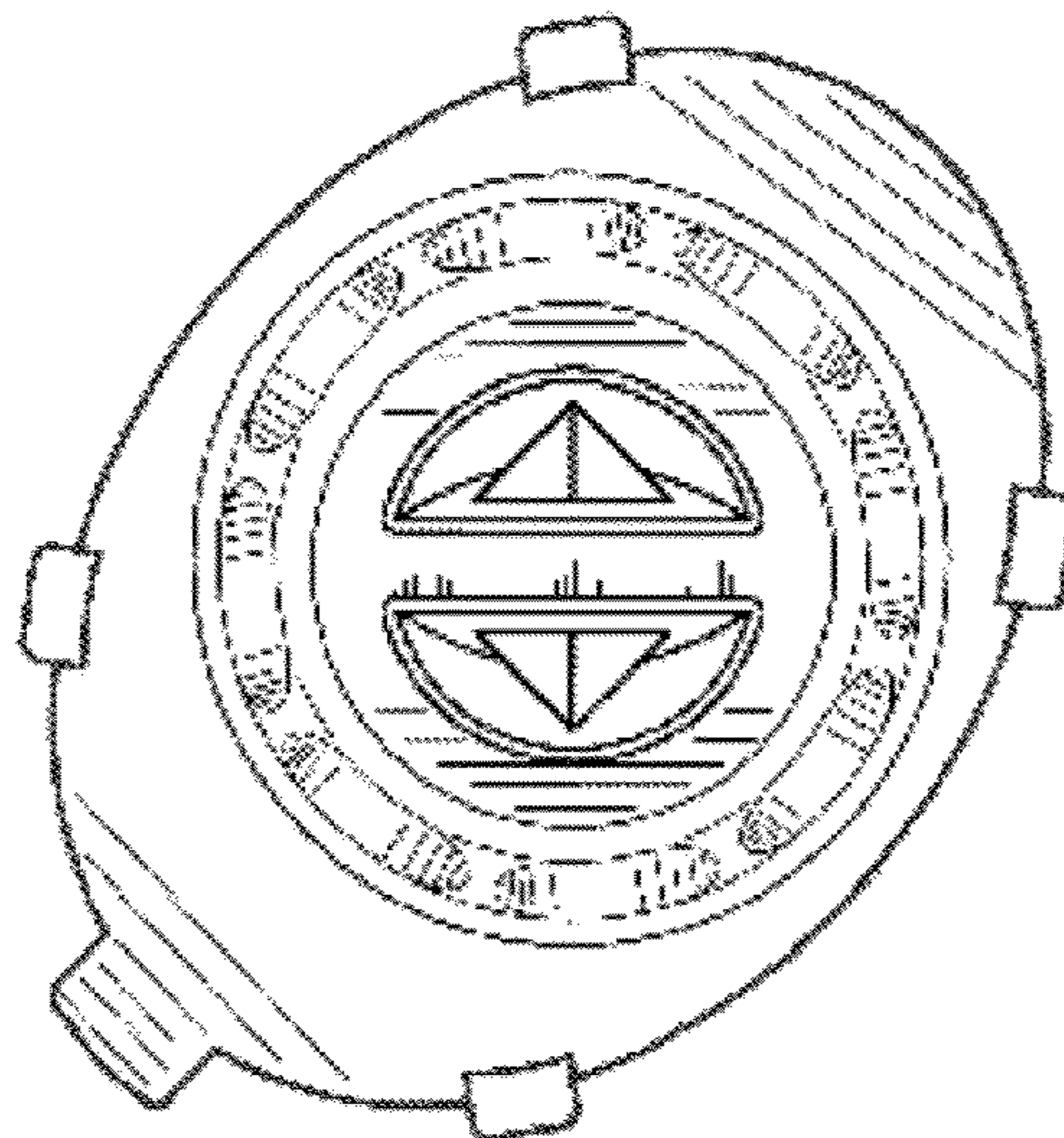


FIGURE 5

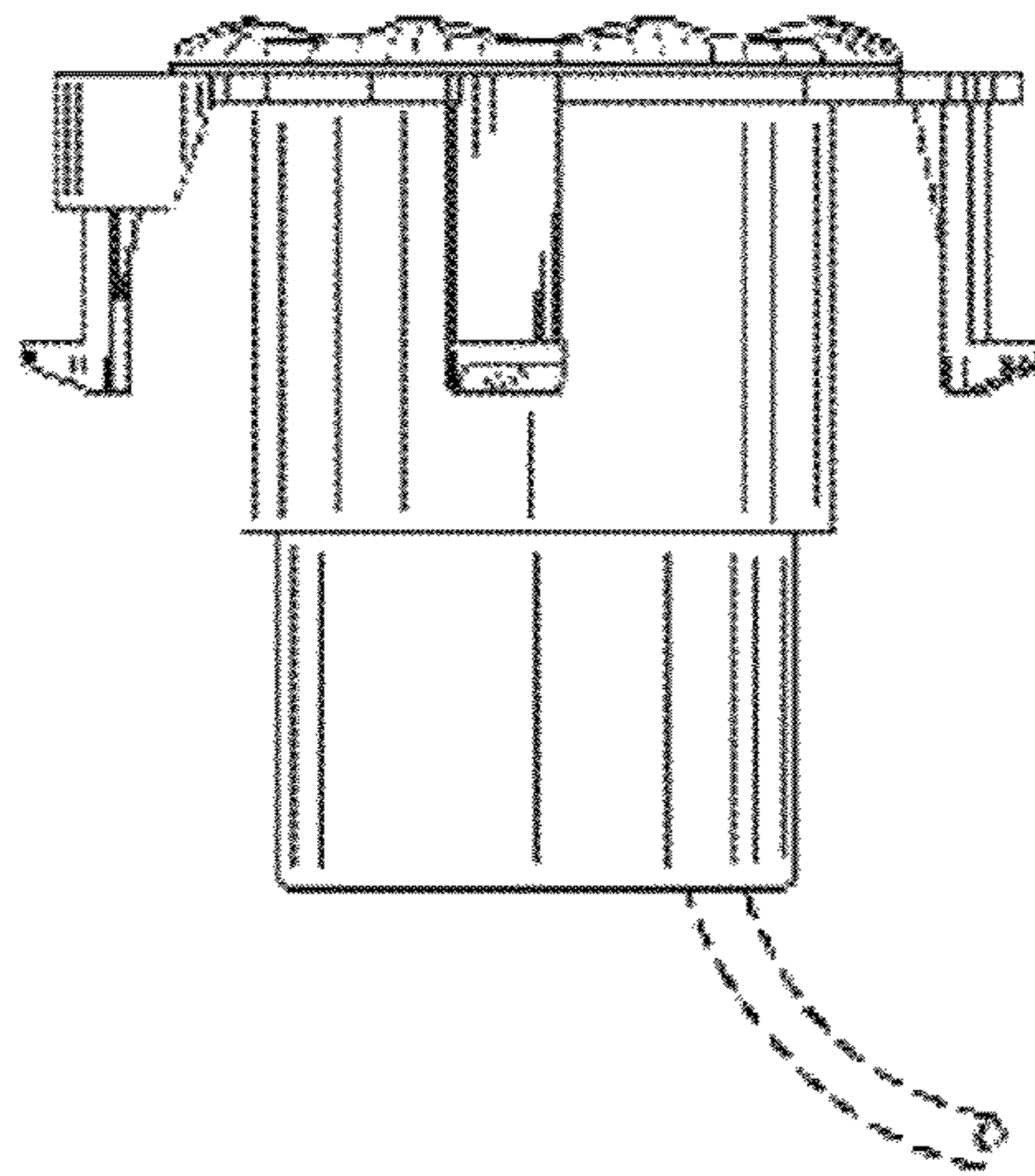


FIGURE 6

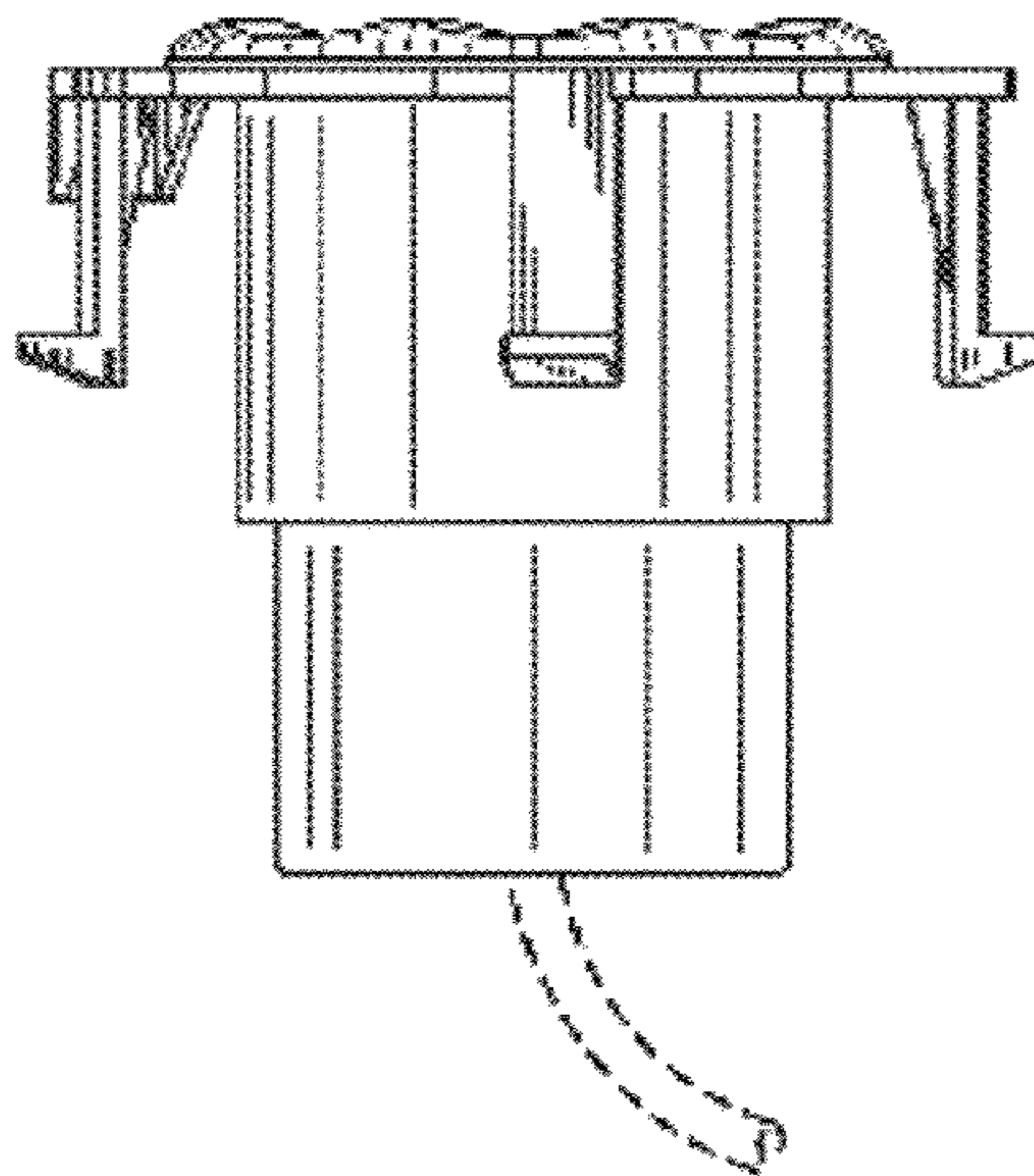


FIGURE 7

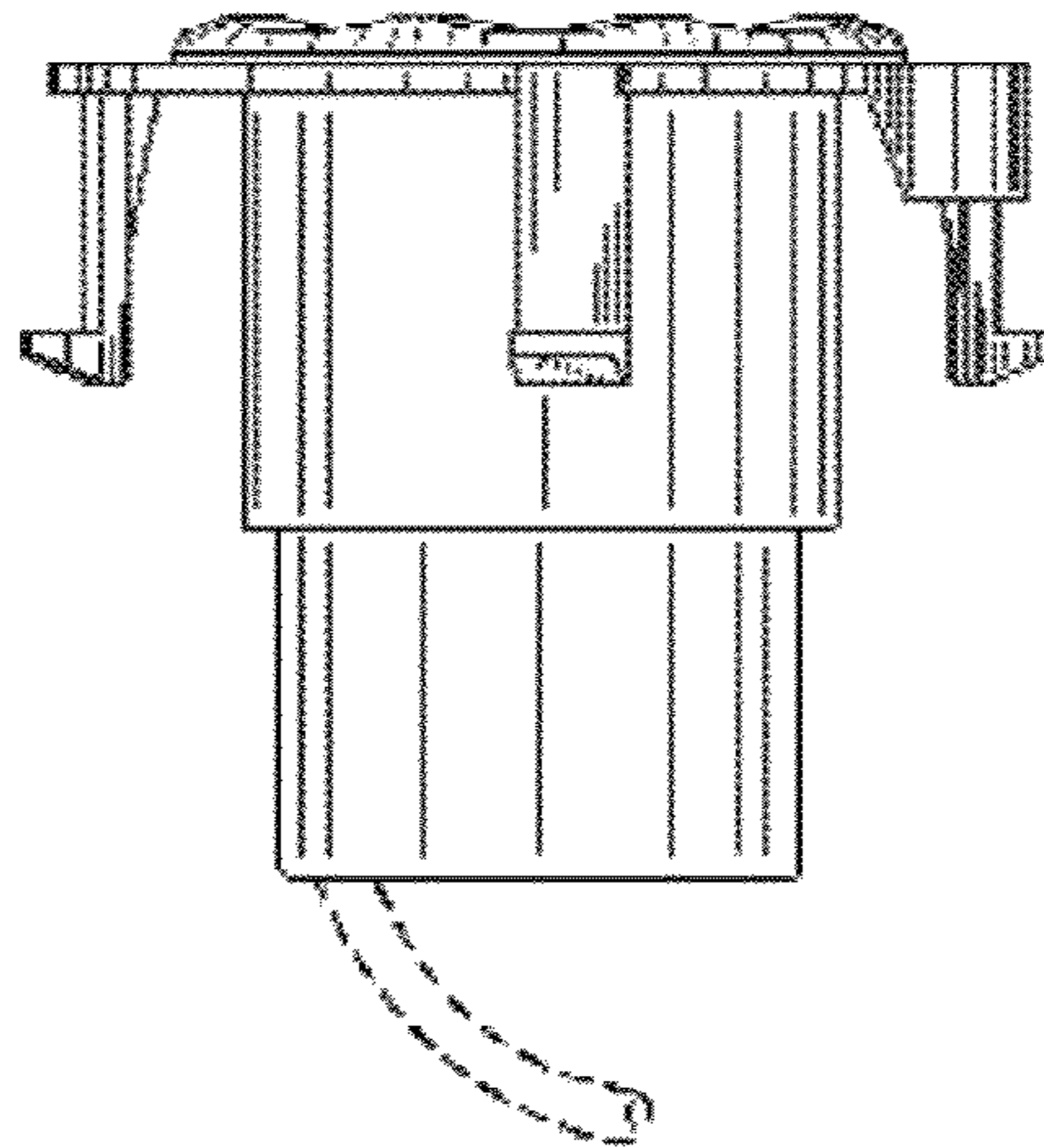


FIGURE 8

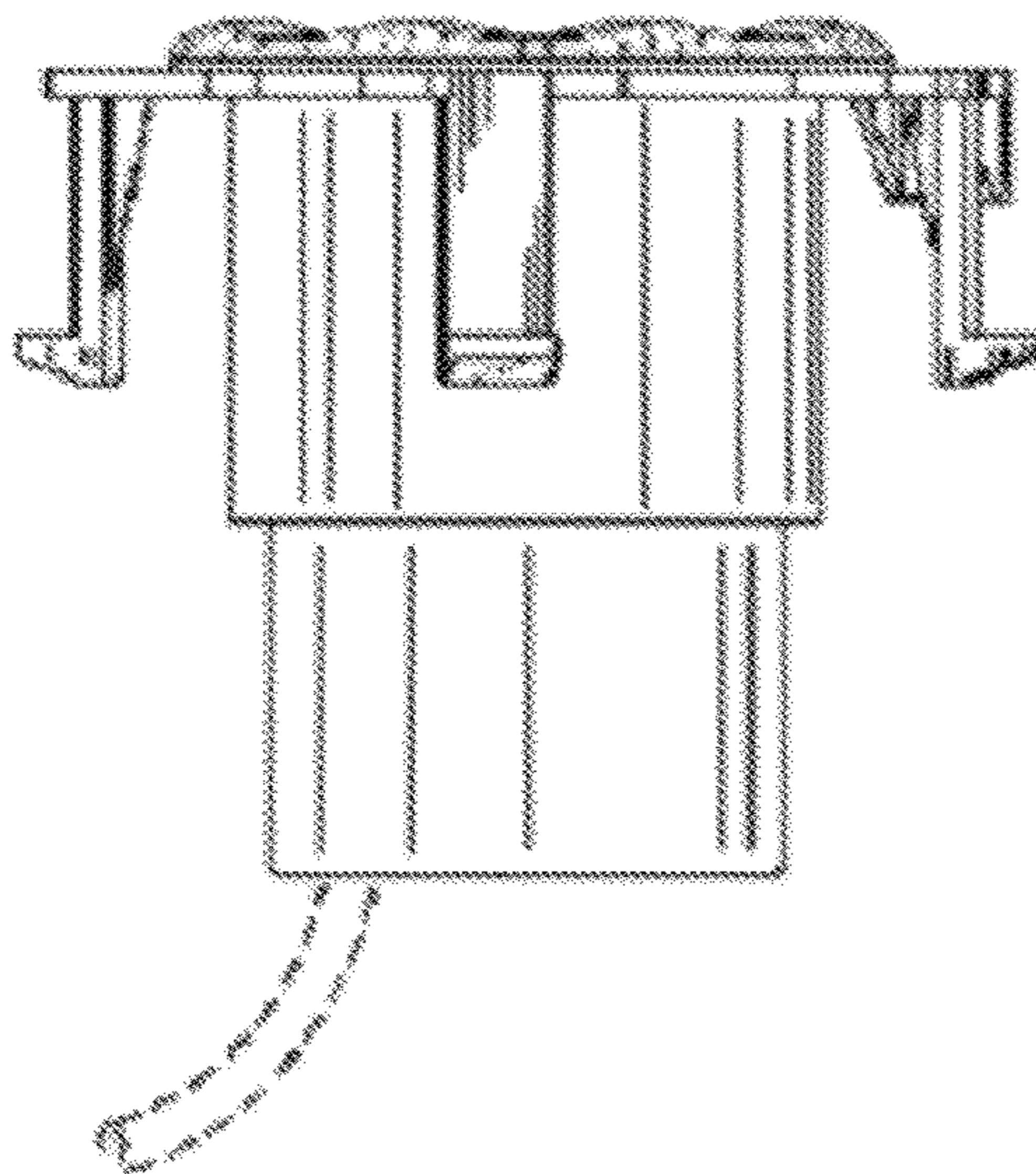


FIGURE 9

