



US00D758324S

(12) **United States Design Patent**
Kiyoi et al.

(10) **Patent No.:** **US D758,324 S**
(45) **Date of Patent:** **** Jun. 7, 2016**

(54) **CONTROLLER BOX**

(71) Applicant: **Phoseon Technology, Inc.**, Hillsboro, OR (US)

(72) Inventors: **Ed Kiyoi**, Tigard, OR (US); **Lowell Brunson**, Hillsboro, OR (US)

(73) Assignee: **Phoseon Technology, Inc.**, Hillsboro, OR (US)

(**) Term: **14 Years**

(21) Appl. No.: **29/516,005**

(22) Filed: **Jan. 28, 2015**

(51) **LOC (10) Cl.** **13-03**

(52) **U.S. Cl.**
USPC **D13/162**

(58) **Field of Classification Search**
USPC D13/162, 164, 184; D15/144, 144.1, D15/144.2; 101/487; 361/679.01
CPC B05D 3/067; B41F 23/0409; B41J 11/002; F26B 9/00; F26B 9/003; F26B 9/0017; H05K 5/00; H05K 7/00; H05K 7/1481; H01L 33/648

See application file for complete search history.

(56) **References Cited**

U.S. PATENT DOCUMENTS

D210,585 S * 3/1968 Jenkinson D10/78
D225,861 S * 1/1973 Kalvitis D13/164
5,229,925 A * 7/1993 Spencer H05K 7/16
211/41.17
D541,762 S * 5/2007 Nakagawa D13/184
D616,376 S * 5/2010 Lannoch D13/162

D642,540 S * 8/2011 Lin D13/162
D707,187 S * 6/2014 Mauchle D13/162
2003/0198734 A1 * 10/2003 Mann B05D 3/067
427/558
2004/0238111 A1 * 12/2004 Siegel B41F 23/0409
156/275.5
2011/0048262 A1 * 3/2011 Martinez B41F 21/00
101/408
2011/0290179 A1 * 12/2011 Stowell B41J 11/002
118/642
2014/0293575 A1 * 10/2014 Mao F21V 1/00
362/23.17
2016/0016337 A1 * 1/2016 Kobayashi H01J 61/38
250/492.1

* cited by examiner

Primary Examiner — Selina Sikder

(74) *Attorney, Agent, or Firm* — Alleman Hall McCoy Russell & Tuttle LLP

(57) **CLAIM**

The ornamental design for a controller box, as shown and described.

DESCRIPTION

FIG. 1 is a front view of a design for a controller box according to the present invention.

FIG. 2 is a right side view of the controller box of FIG. 1.

FIG. 3 is a left side view of the controller box of FIG. 1.

FIG. 4 is a back view of the controller box of FIG. 1.

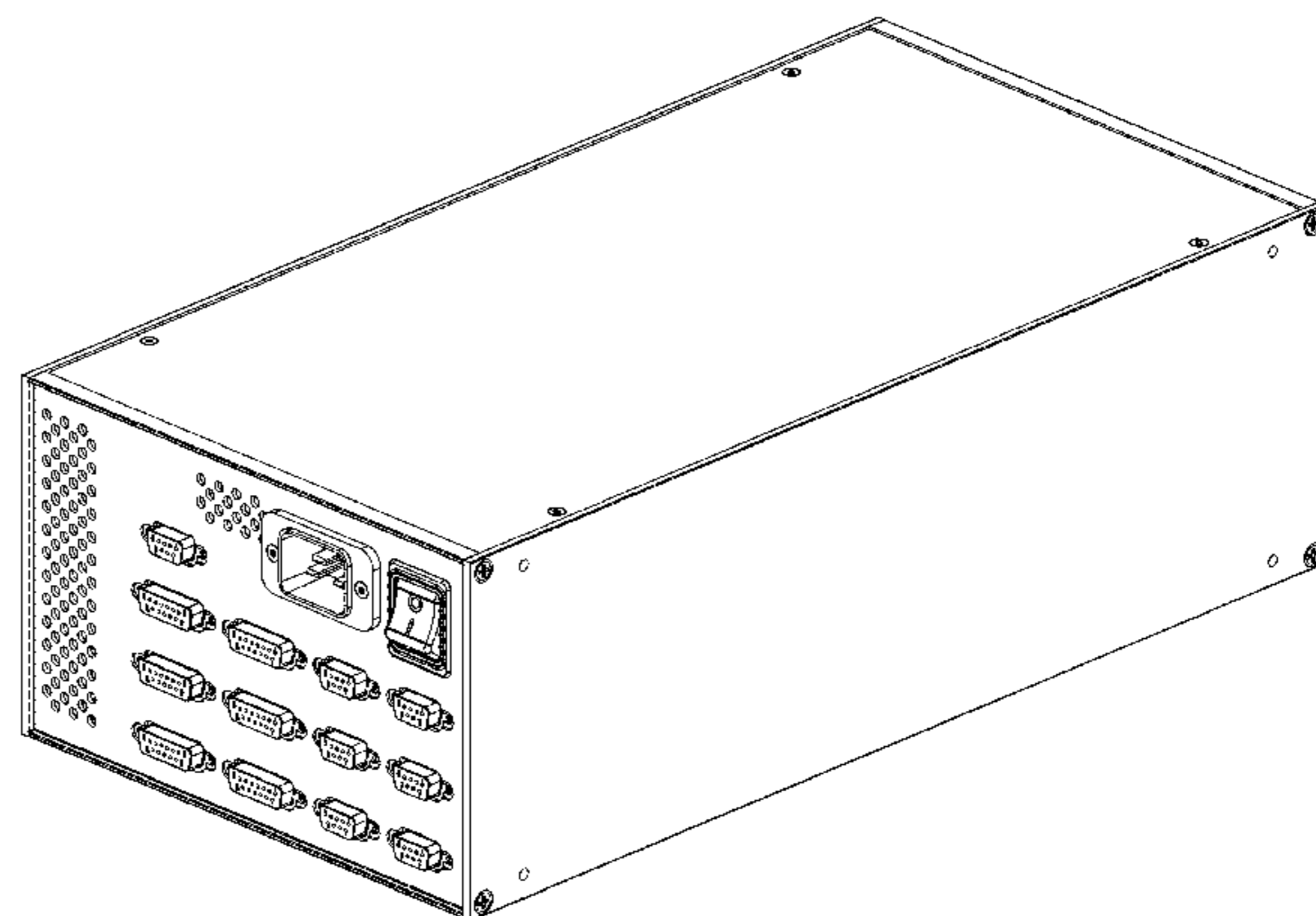
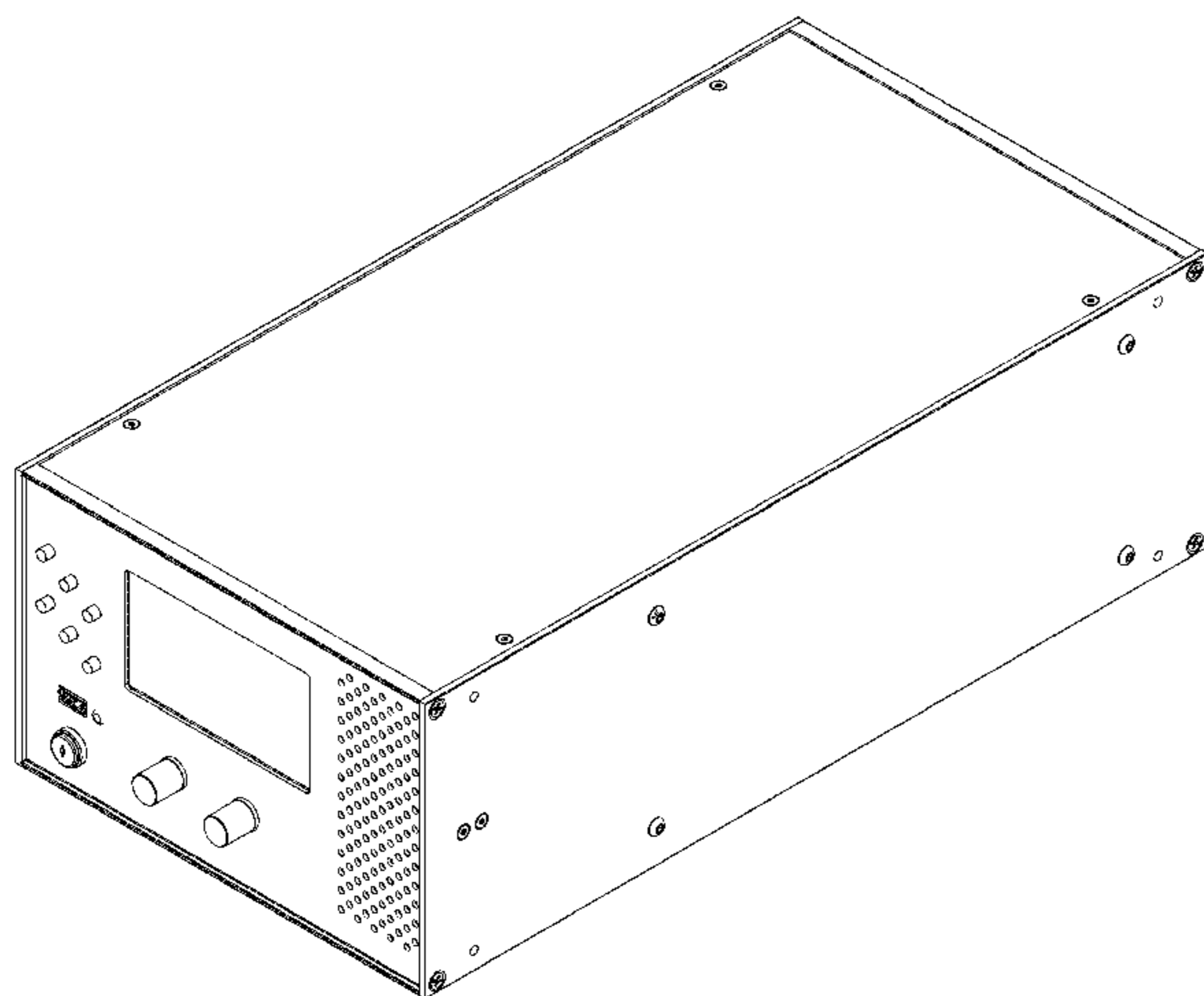
FIG. 5 is a top view of the controller box of FIG. 1.

FIG. 6 is a bottom view of the controller box of FIG. 1.

FIG. 7 is a front perspective view of the controller box of FIG. 1; and,

FIG. 8 is a back perspective view of the controller box of FIG. 1.

1 Claim, 8 Drawing Sheets



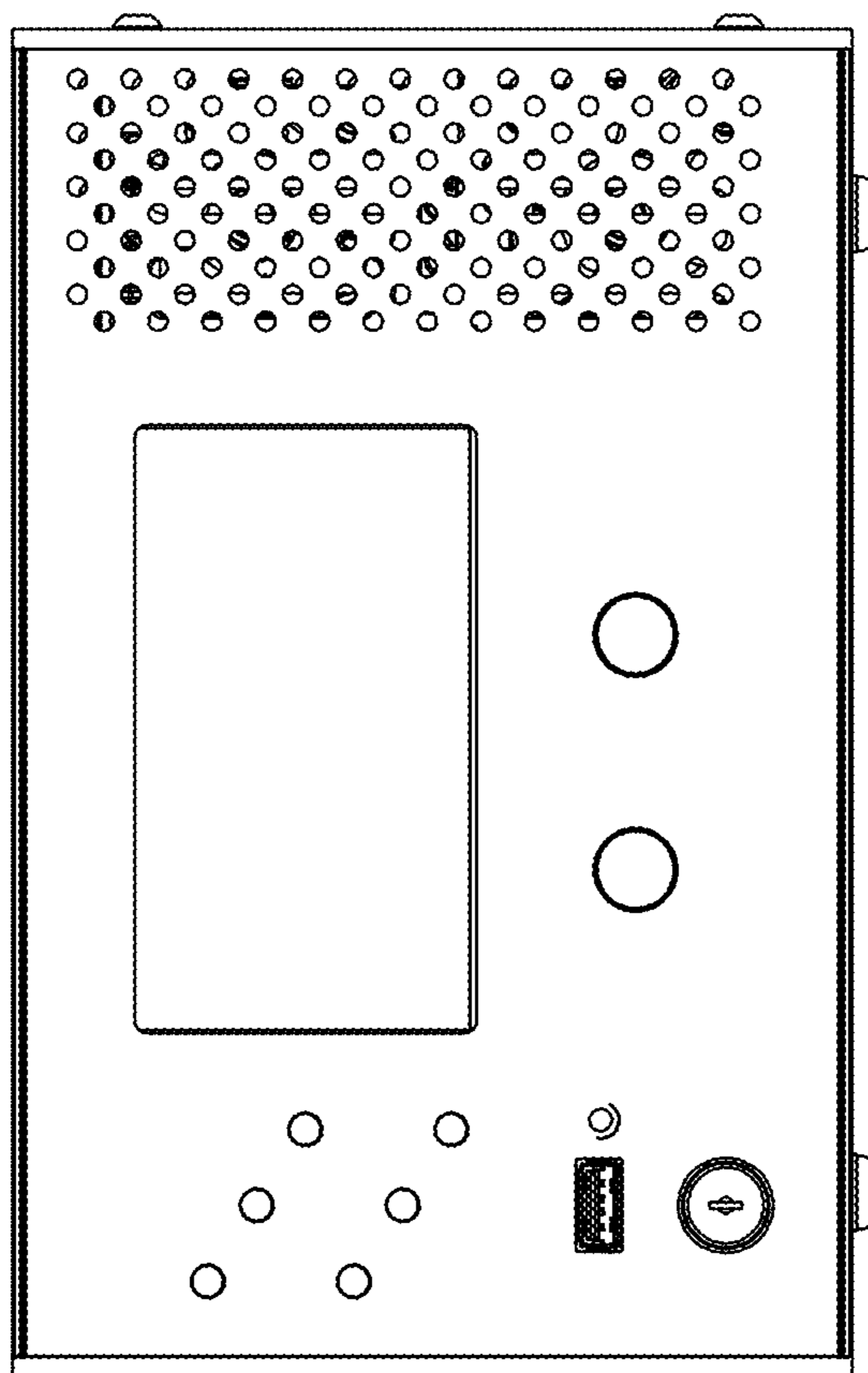


FIG. 1

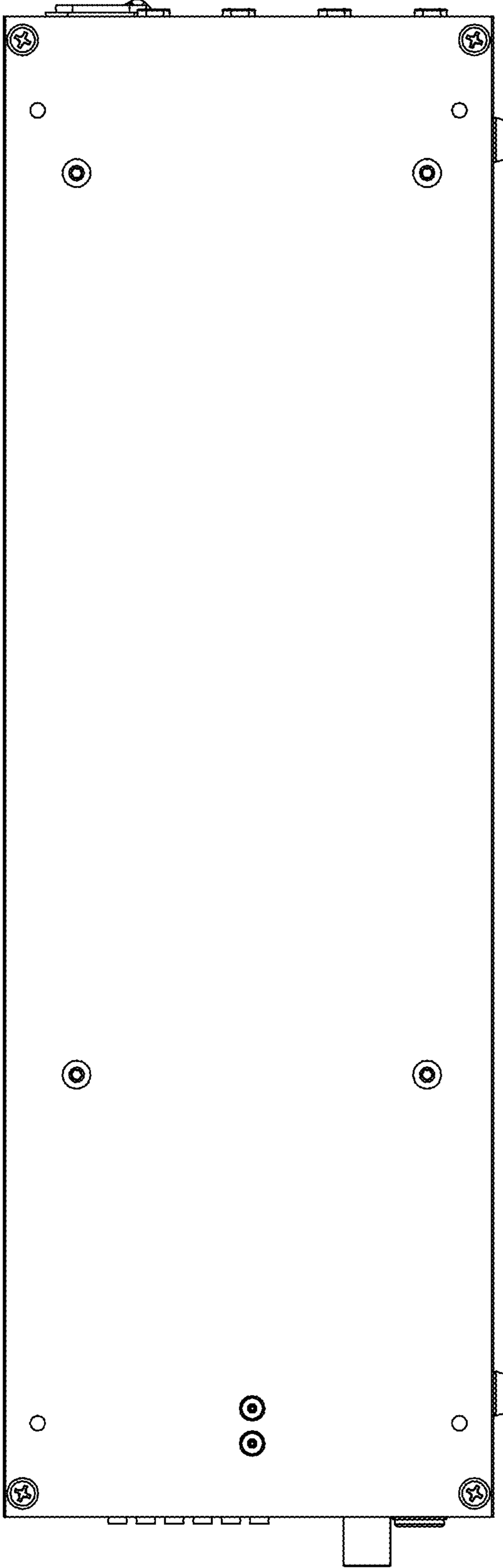


FIG. 2

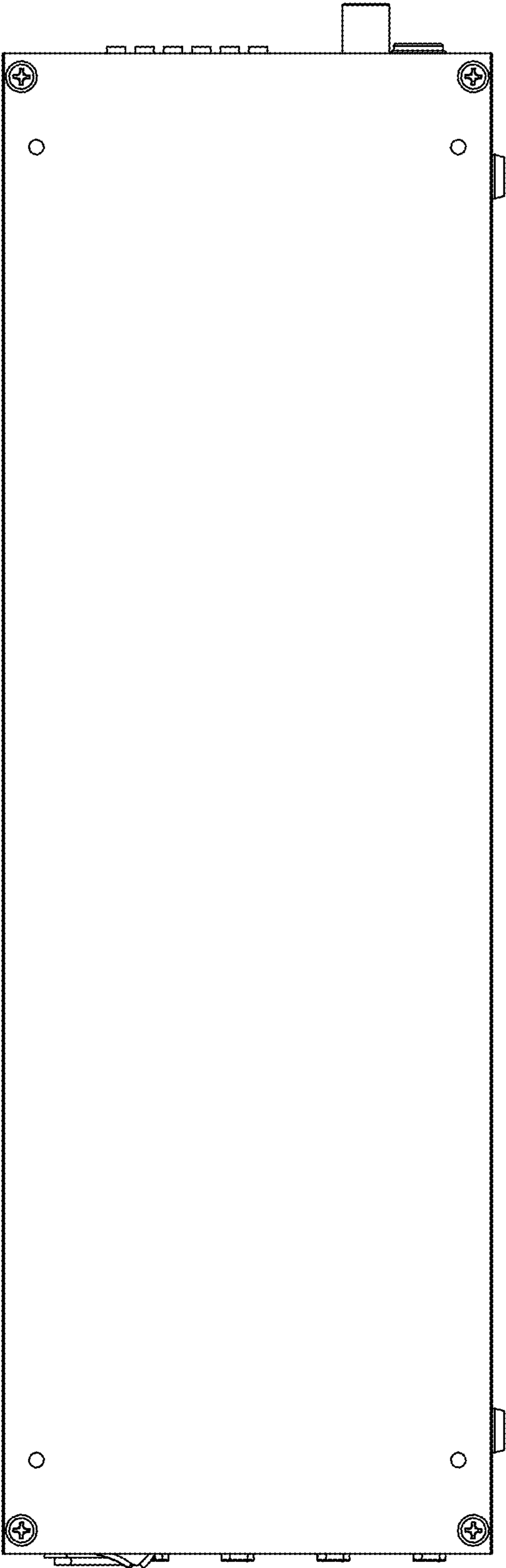


FIG. 3

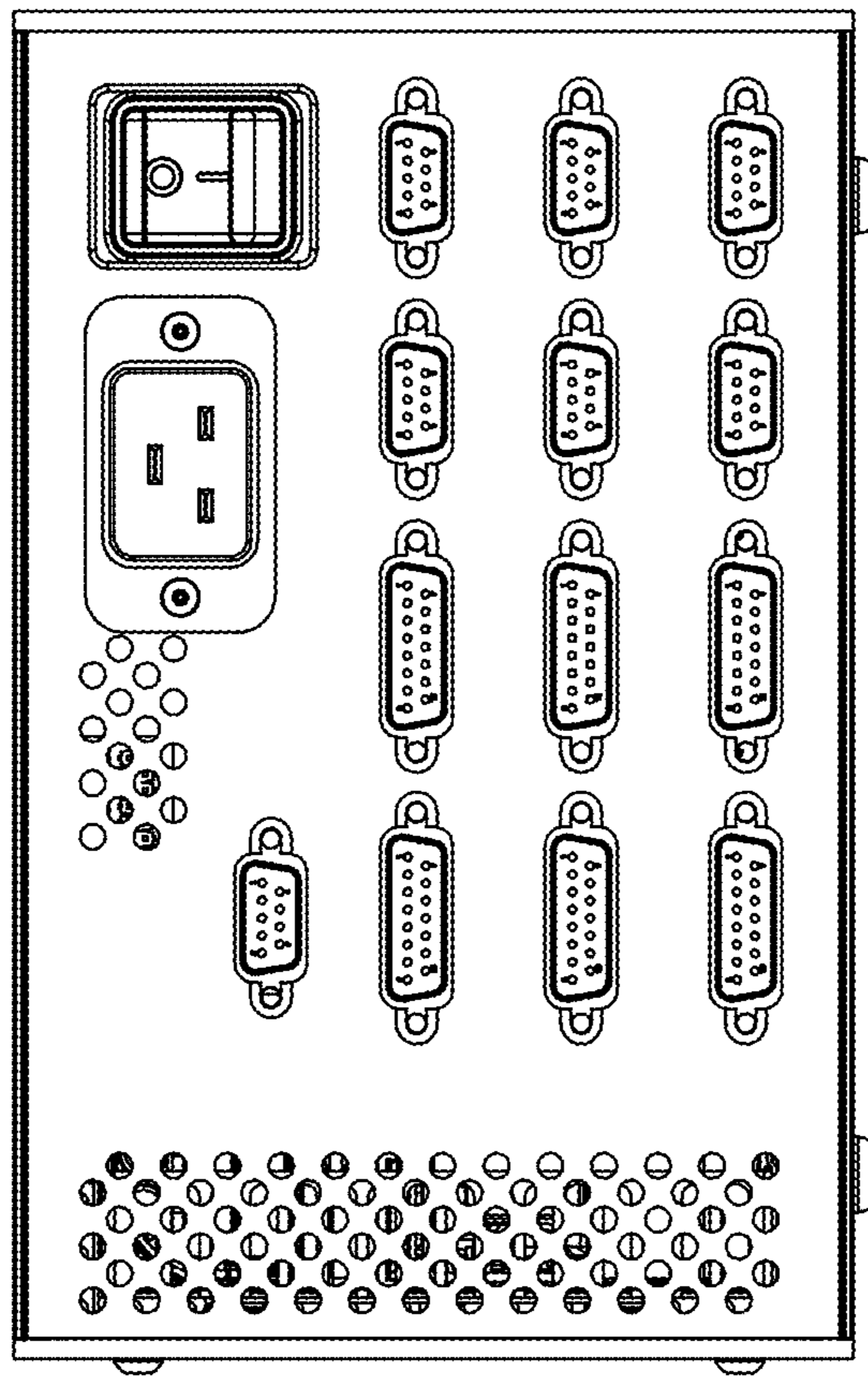


FIG. 4

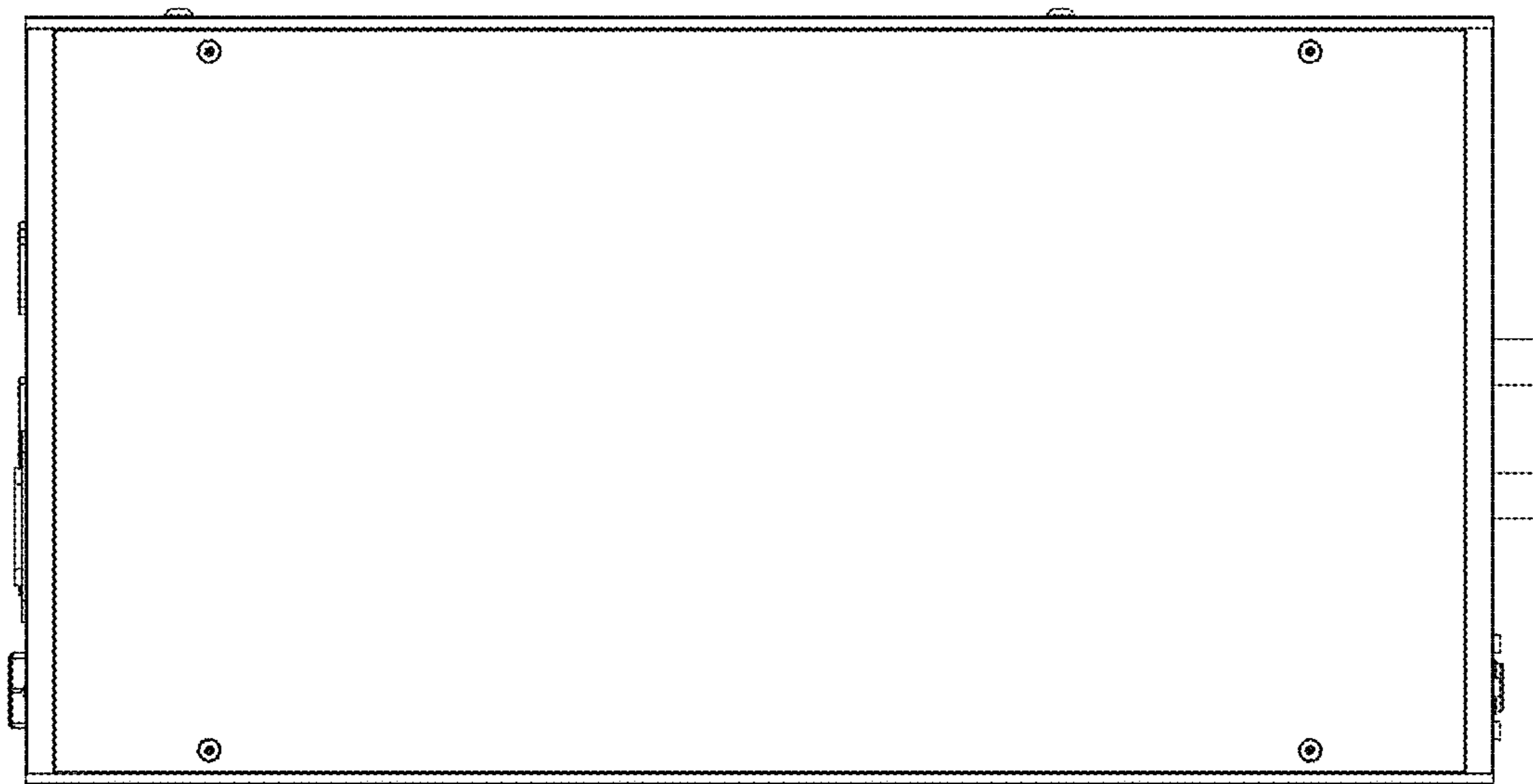
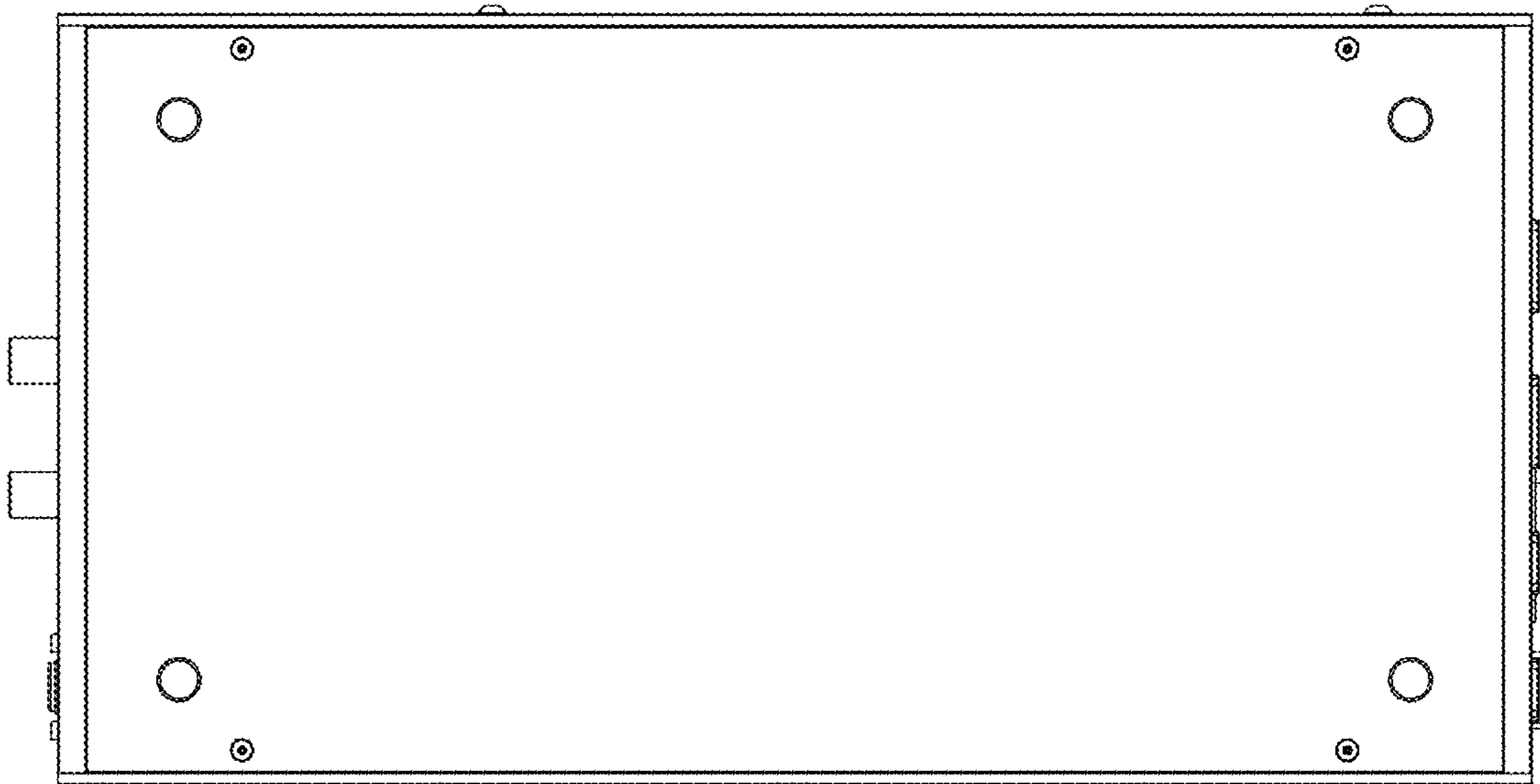


FIG. 5

FIG. 6



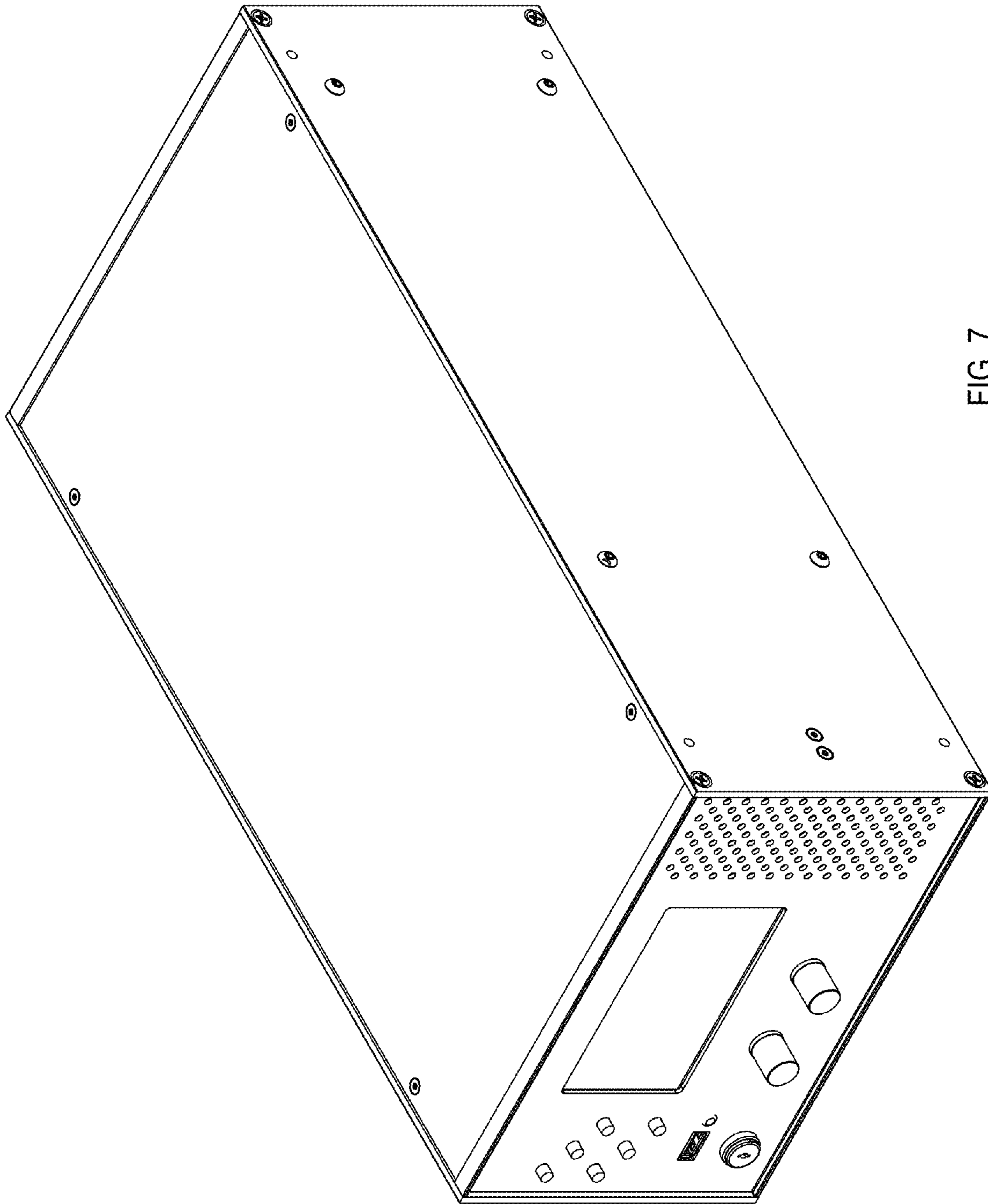


FIG. 7

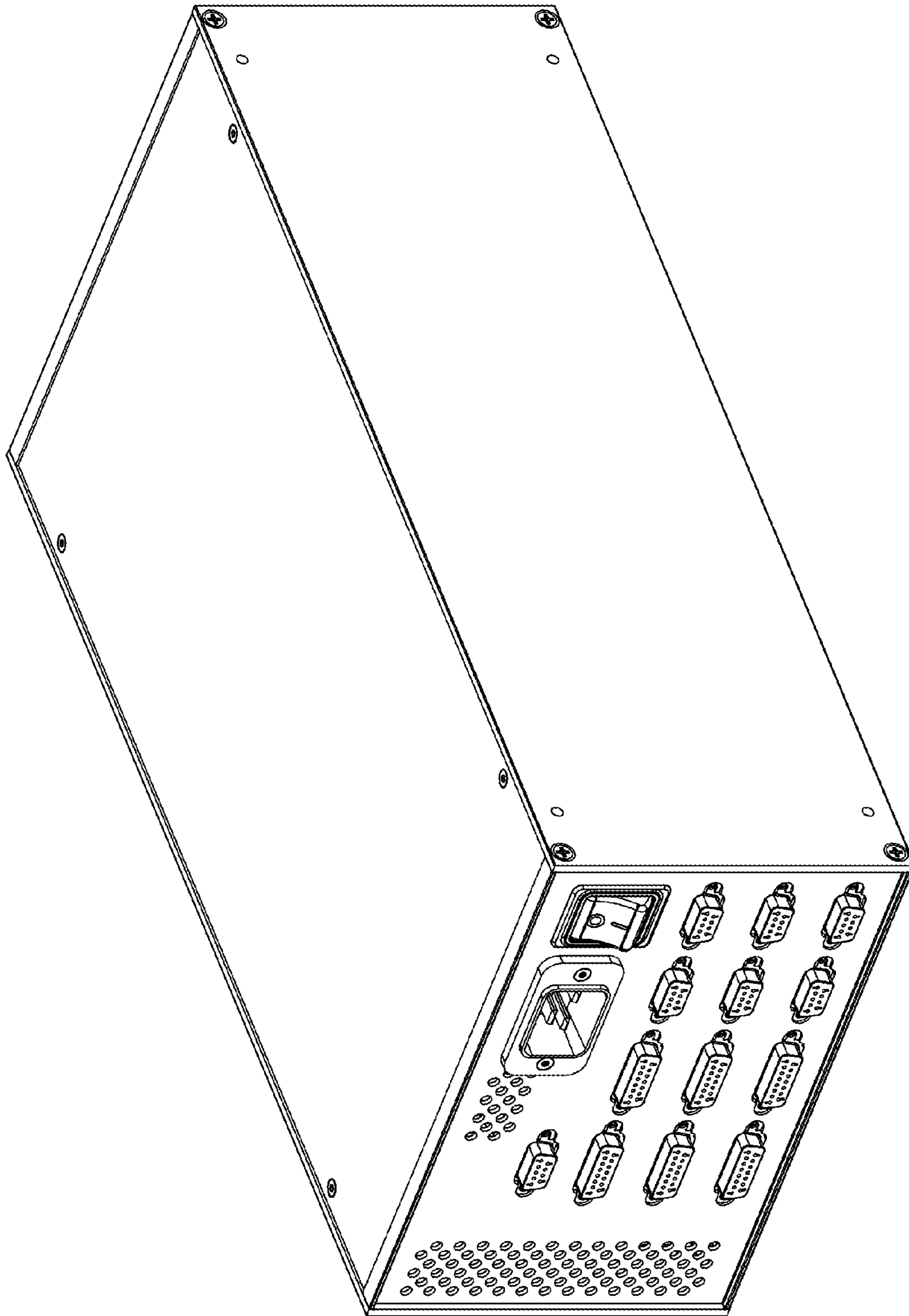


FIG. 8