



US00D758321S

(12) **United States Design Patent**
Byrne et al.

(10) **Patent No.:** **US D758,321 S**
(45) **Date of Patent:** **** Jun. 7, 2016**

- (54) **ELECTRICAL BUS BAR COVER**
- (71) Applicants: **Norman R. Byrne**, Ada, MI (US);
Robert L. Knapp, Rockford, MI (US);
Steven K. Meek, Grand Rapids, MI (US);
Matthew R. Andree, Rockford, MI (US)
- (72) Inventors: **Norman R. Byrne**, Ada, MI (US);
Robert L. Knapp, Rockford, MI (US);
Steven K. Meek, Grand Rapids, MI (US);
Matthew R. Andree, Rockford, MI (US)
- (**) Term: **14 Years**
- (21) Appl. No.: **29/524,544**
- (22) Filed: **Apr. 21, 2015**
- (51) **LOC (10) Cl.** **13-03**
- (52) **U.S. Cl.**
USPC **D13/156**
- (58) **Field of Classification Search**
USPC D13/120, 121, 123, 133, 154, 156, 158,
D13/160, 173, 178, 184, 199; 174/50, 520,
174/67; 361/600; 439/723, 752; D8/353,
D8/382, 394
CPC H01R 13/424; H01R 13/436; H01R
13/4362; H01R 13/5213; A47B 21/06; H02G
3/14
See application file for complete search history.

- 6,379,182 B1 4/2002 Byrne
- 6,402,573 B1 * 6/2002 Yeomans H01R 13/4362
439/752
- D463,378 S * 9/2002 Allada D13/159
- 6,488,540 B2 12/2002 Coyle, Jr. et al.
- D555,106 S * 11/2007 Pape D13/158
- D558,683 S * 1/2008 Pape D13/158
- D593,498 S * 6/2009 Mase D13/154
- D605,143 S * 12/2009 Von Arx D13/123
- 7,799,991 B1 * 9/2010 Advey H01R 13/424
174/50
- 7,916,491 B2 * 3/2011 Fino H05K 7/20454
174/520
- 8,512,065 B2 8/2013 Byrne et al.
- 9,148,006 B2 9/2015 Byrne et al.
- 2014/0041928 A1 * 2/2014 Yamamoto H02G 3/22
174/520

OTHER PUBLICATIONS

Lebrand/Wiremold, "Desktop Power Center Installation Instructions", Installation Instruction No. 1 009 456, Aug. 2010.

* cited by examiner

Primary Examiner — Derrick Holland

Assistant Examiner — Jennifer O King

(74) *Attorney, Agent, or Firm* — Gardner, Linn, Burkhardt & Flory, LLP

(57) **CLAIM**

The ornamental design for an electrical bus bar cover, as shown and described.

DESCRIPTION

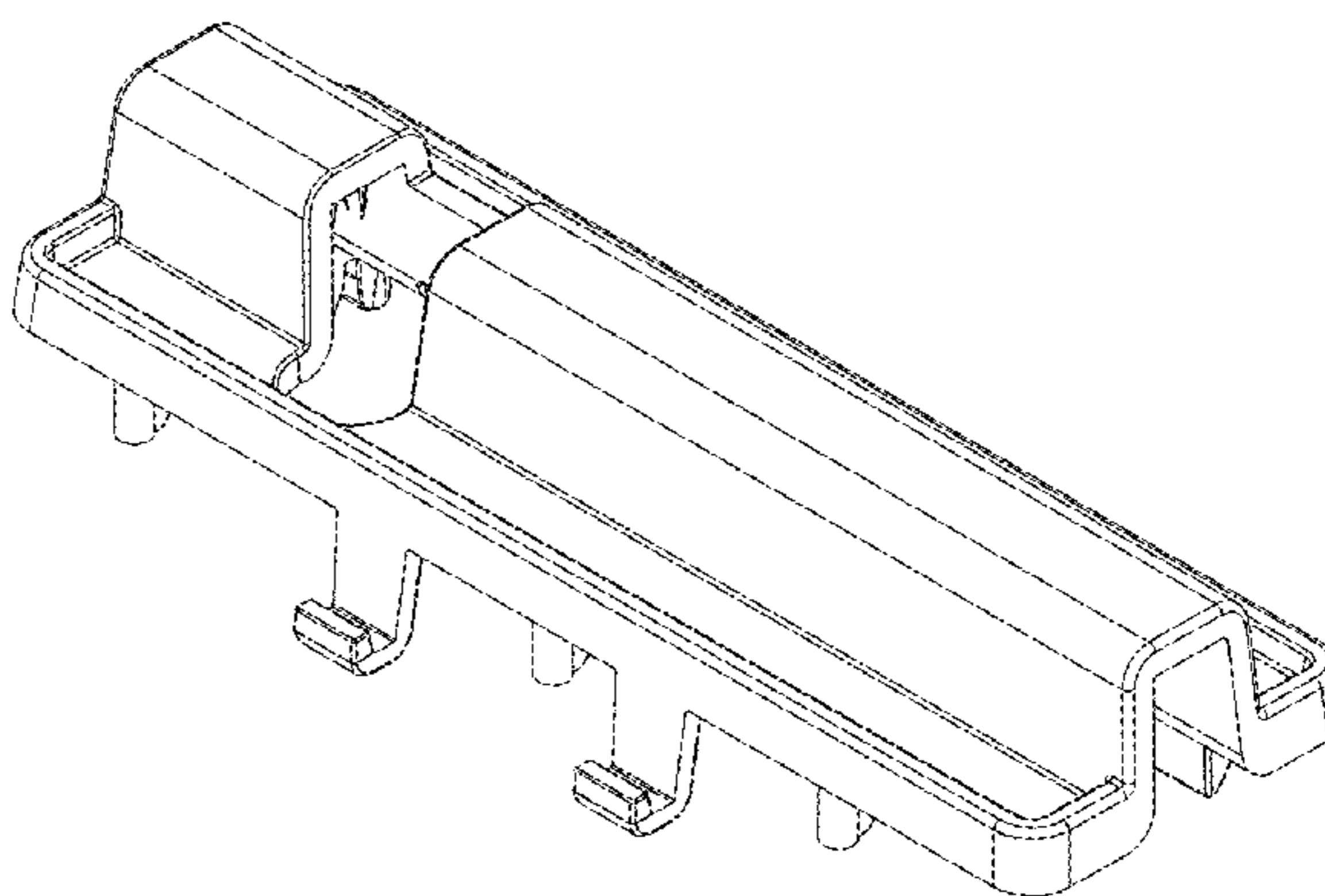
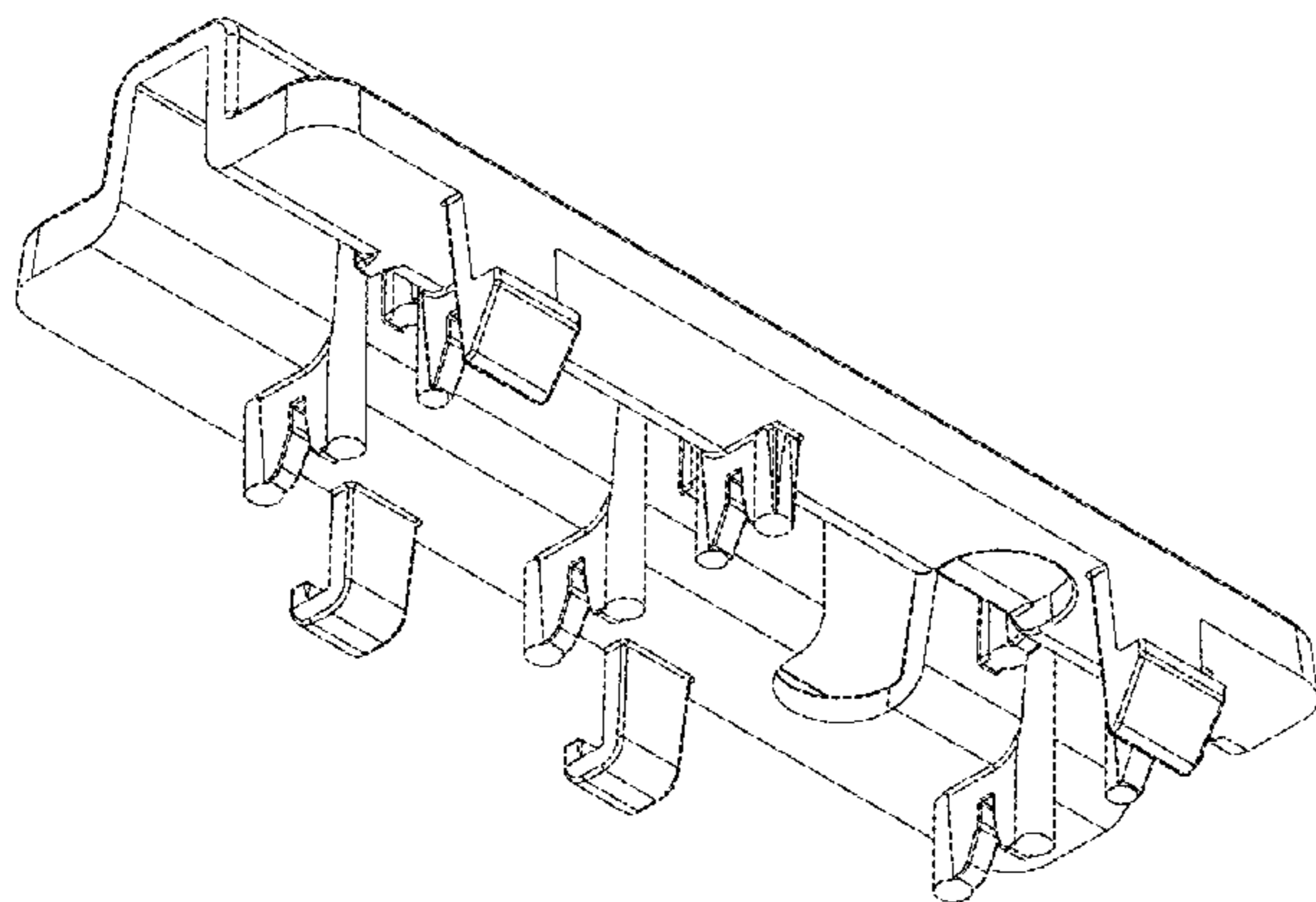
FIG. 1 is a rear perspective view of an electrical bus bar cover showing our new design;
 FIG. 2 is another rear perspective view thereof;
 FIG. 3 is a front perspective view thereof;
 FIG. 4 is another front perspective view thereof;
 FIG. 5 is a rear elevation thereof;
 FIG. 6 is a front elevation thereof;
 FIG. 7 is a top plan view thereof;
 FIG. 8 is a bottom plan view thereof;
 FIG. 9 is a left side elevation thereof;
 FIG. 10 is a right side elevation thereof;
 FIG. 11 is another front perspective view thereof, with environmental structure shown in a partial exploded view; and,
 FIG. 12: another front perspective view thereof, with the environmental structure of FIG. 11 shown assembled thereto.
 In the drawings, the broken lines depict unclaimed subject matter only and form no part of the claimed design.

1 Claim, 6 Drawing Sheets

(56) **References Cited**

U.S. PATENT DOCUMENTS

- D232,346 S * 8/1974 Cali D8/353
- D252,568 S * 8/1979 Comstock D13/126
- D272,242 S * 1/1984 Holce D13/184
- D280,485 S * 9/1985 M'Sadoques D13/160
- D308,017 S * 5/1990 Fujioka D13/154
- D328,284 S * 7/1992 Brenner D13/158
- 5,130,494 A 7/1992 Simonton et al.
- D362,661 S * 9/1995 Buschor D13/133
- D365,804 S * 1/1996 Klaus D13/160
- 5,709,156 A 1/1998 Gevaert et al.
- 5,885,105 A * 3/1999 Takagishi H01R 13/4362
439/595
- 5,954,525 A 9/1999 Siegal et al.
- 6,254,427 B1 7/2001 Stathis
- D450,045 S * 11/2001 Yang D13/184



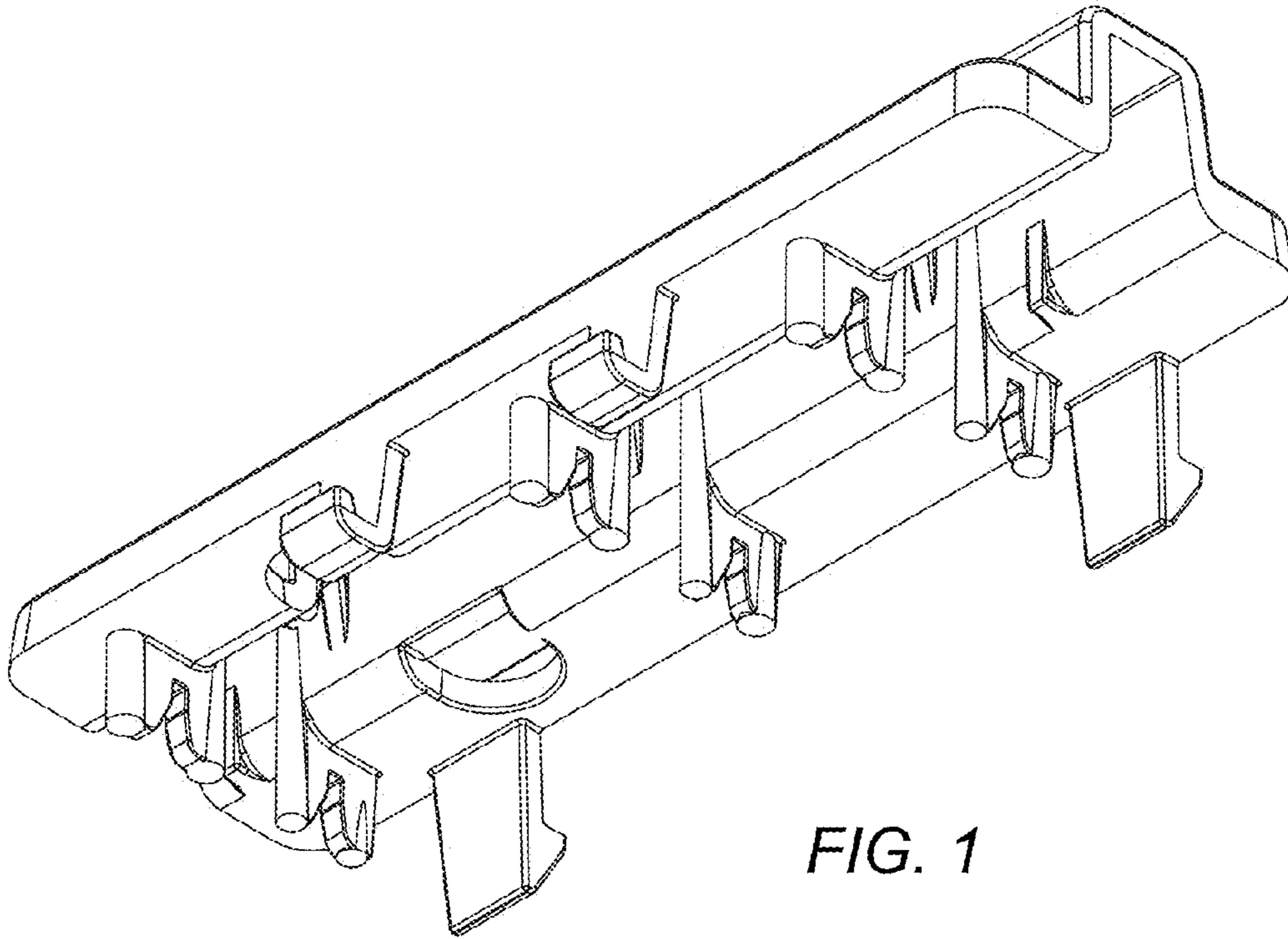


FIG. 1

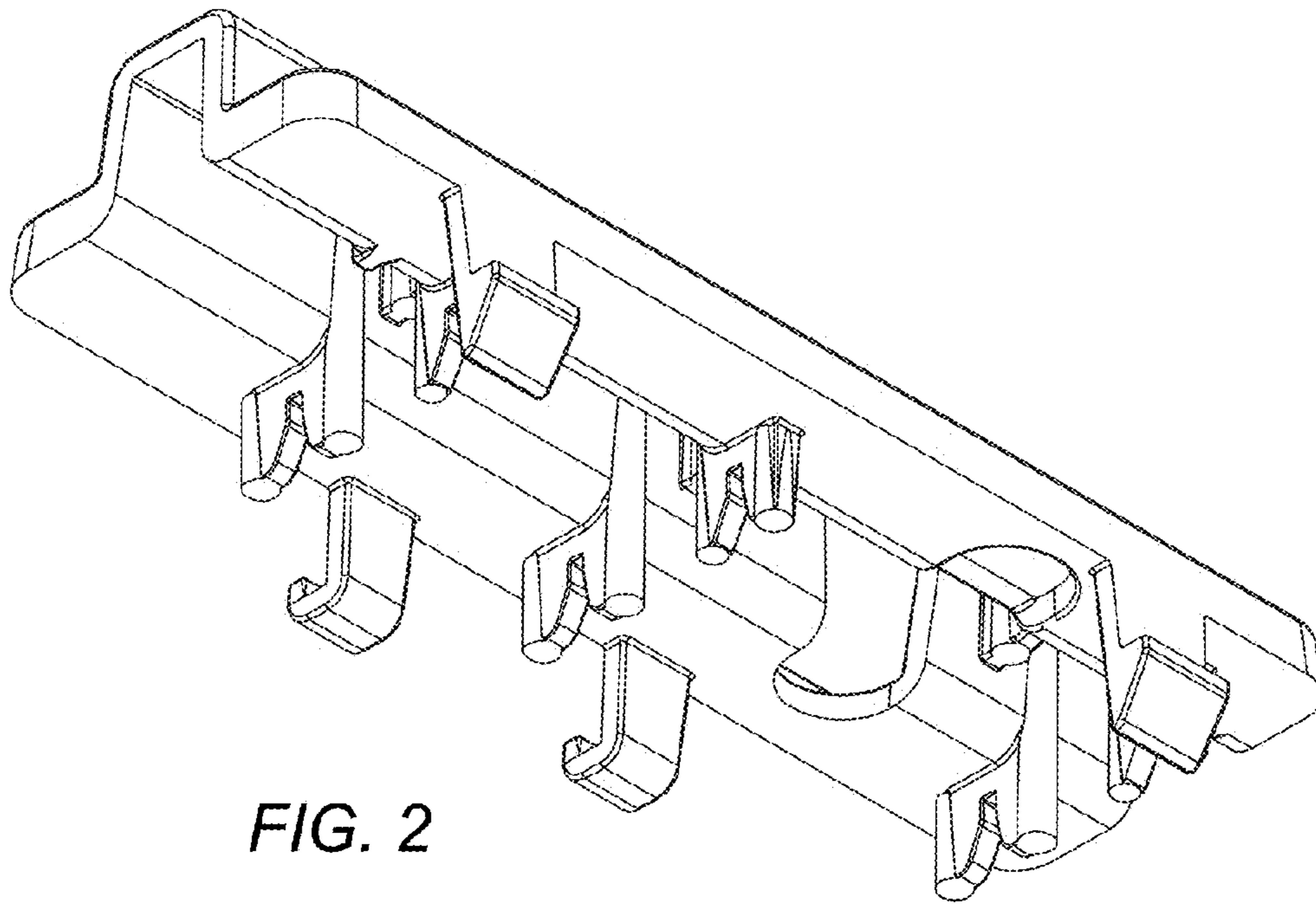
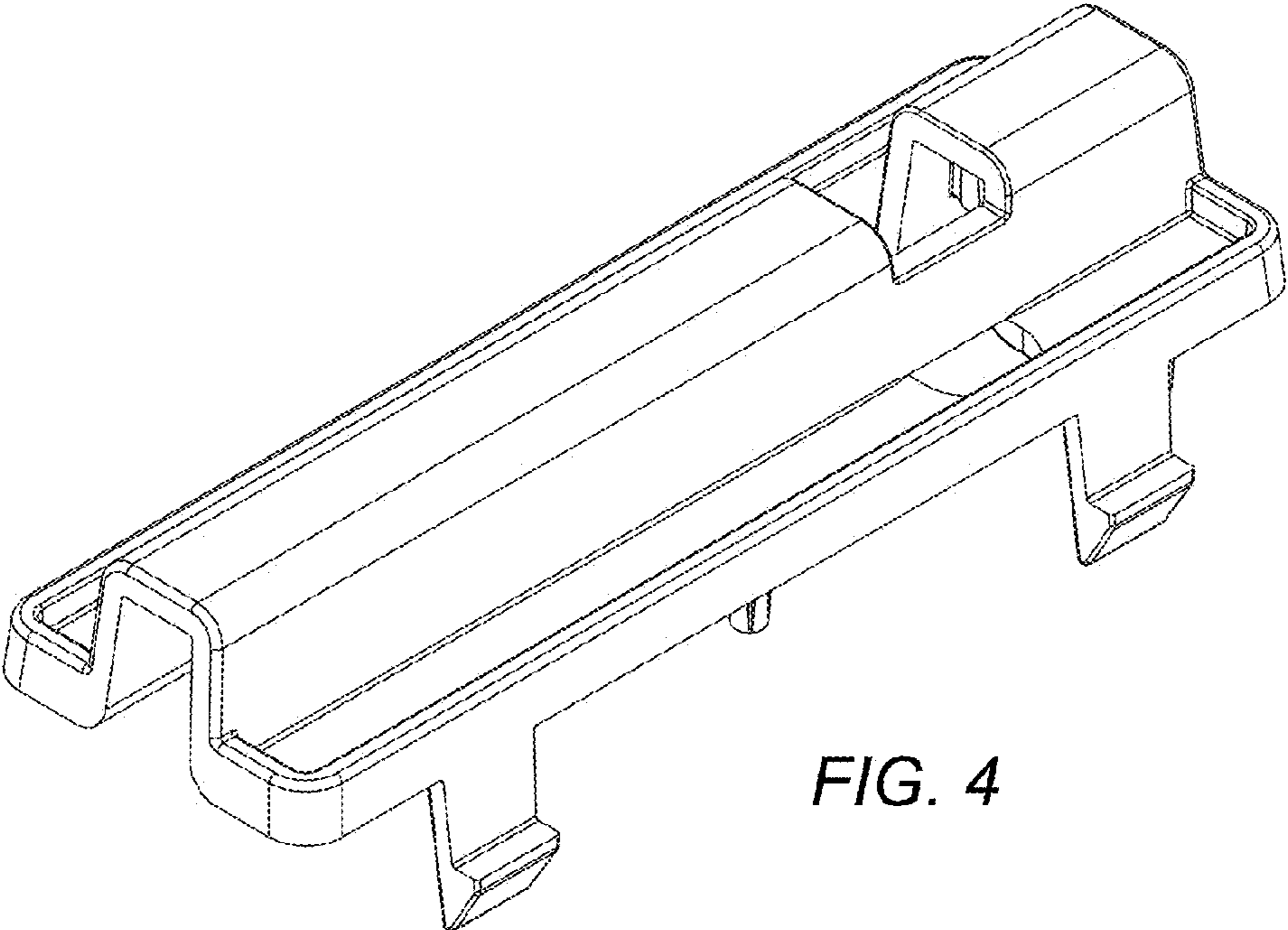
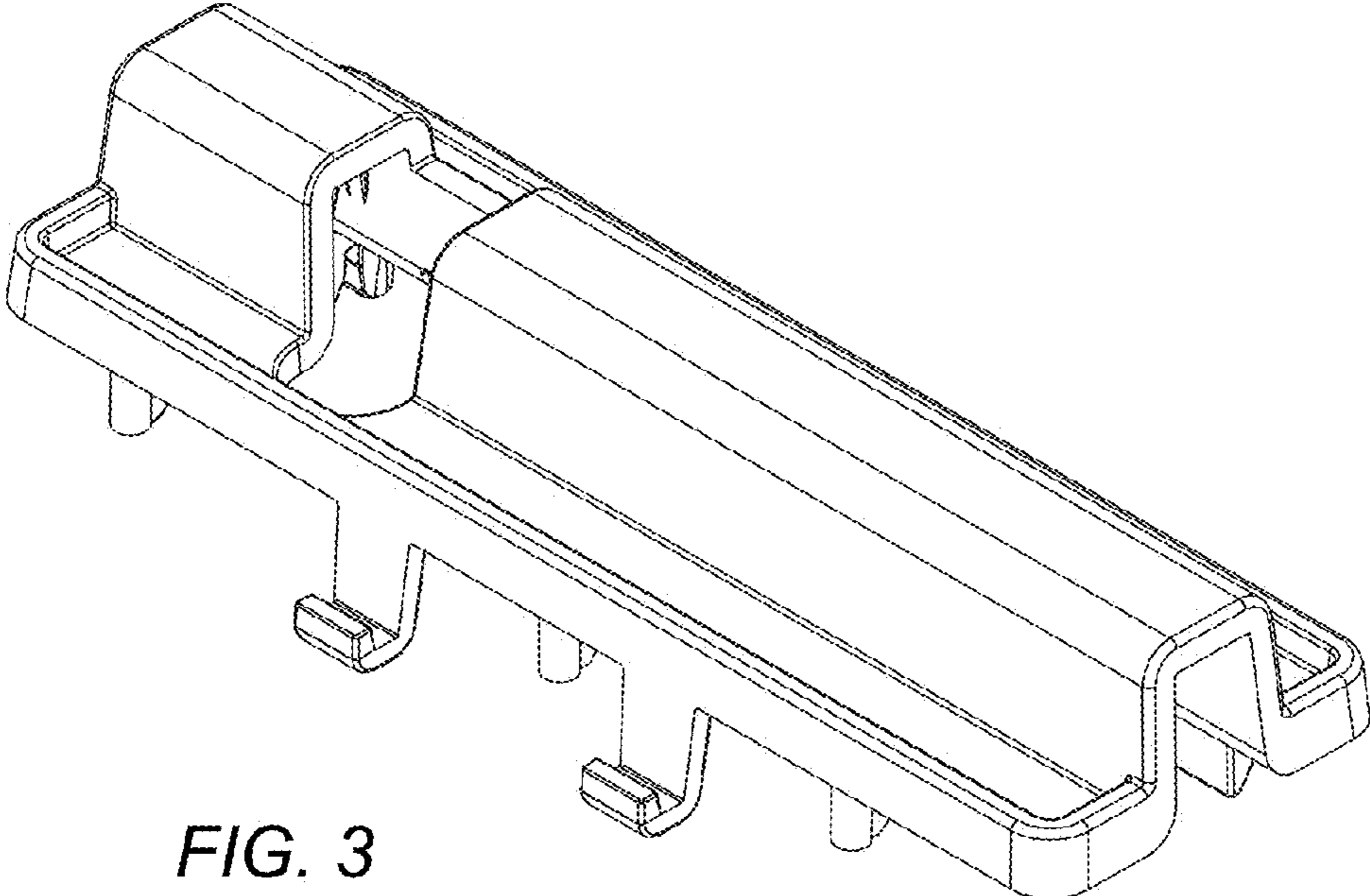


FIG. 2



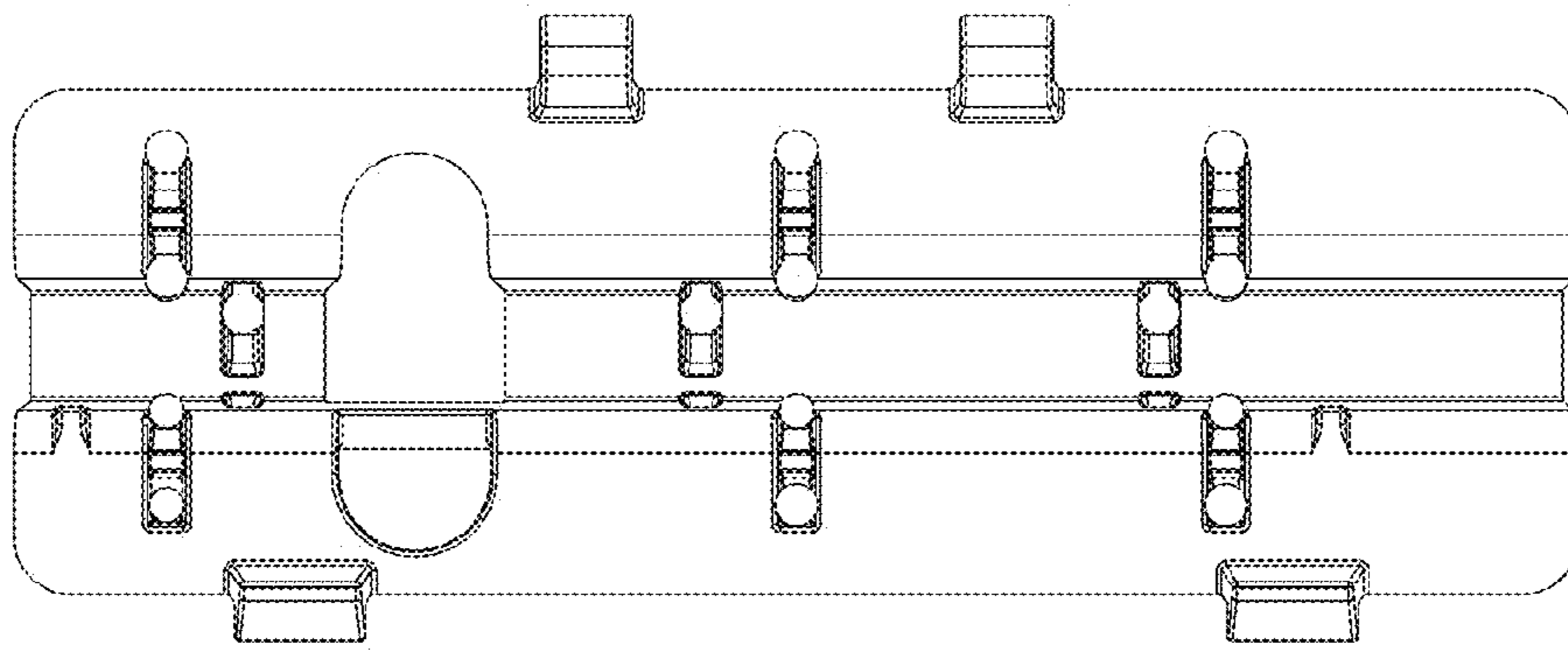


FIG. 5

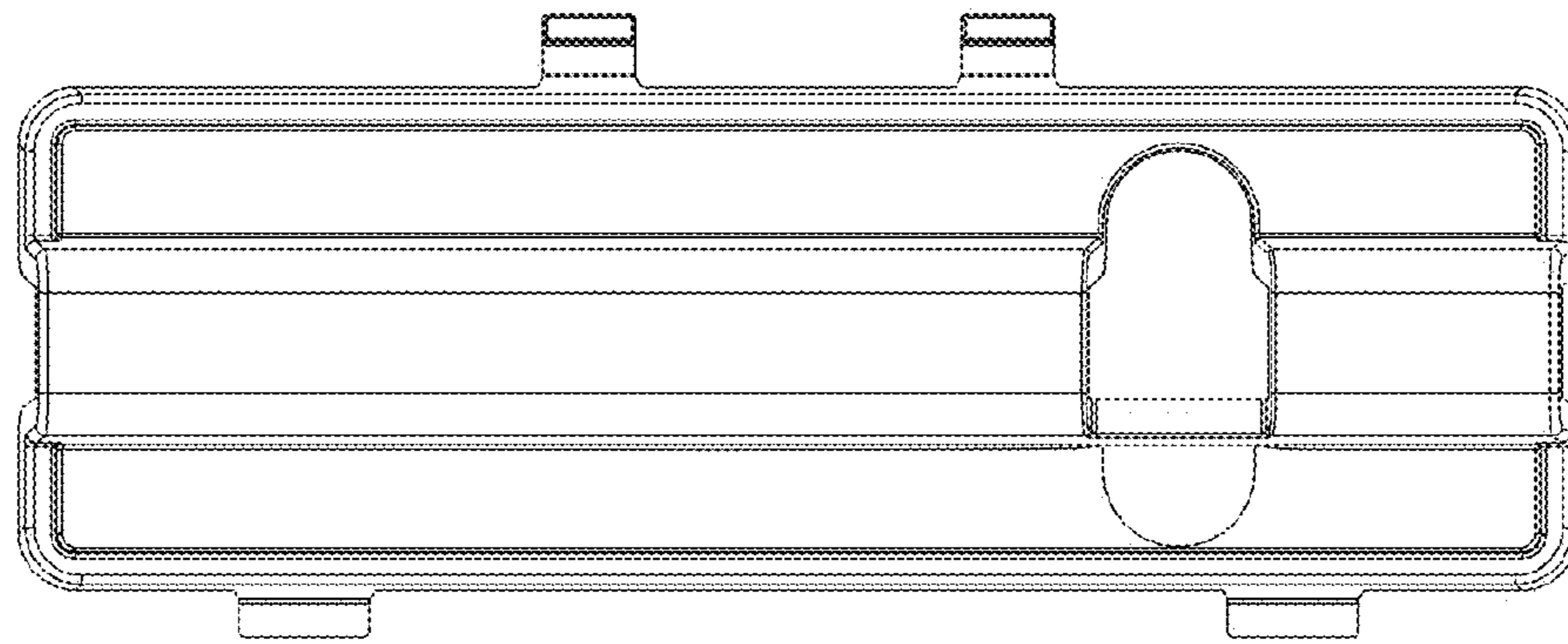


FIG. 6

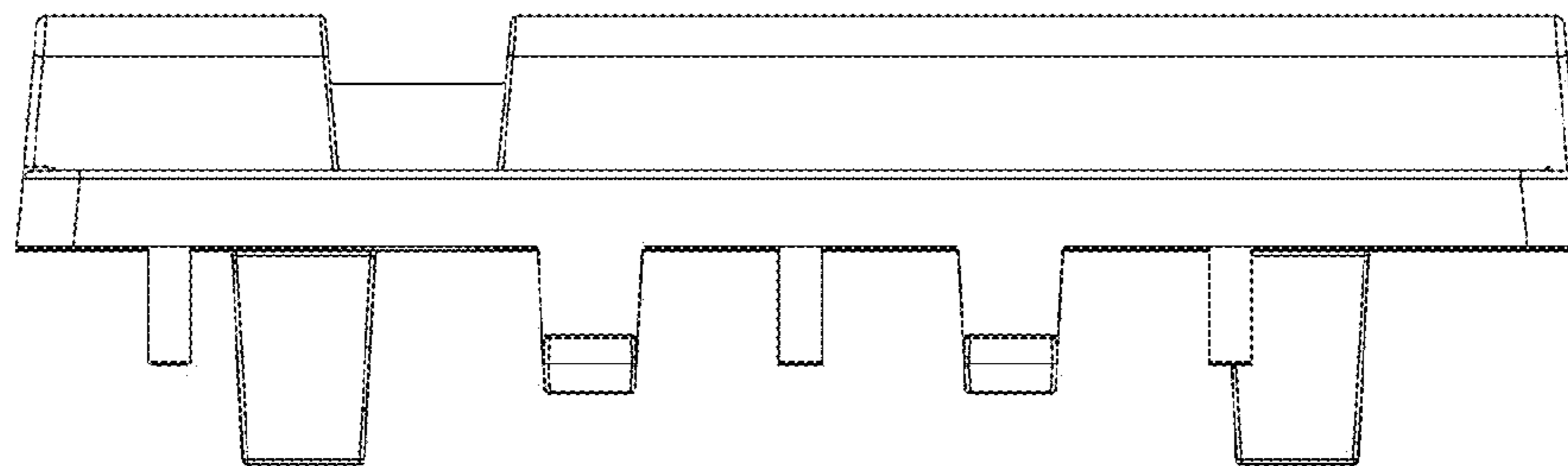
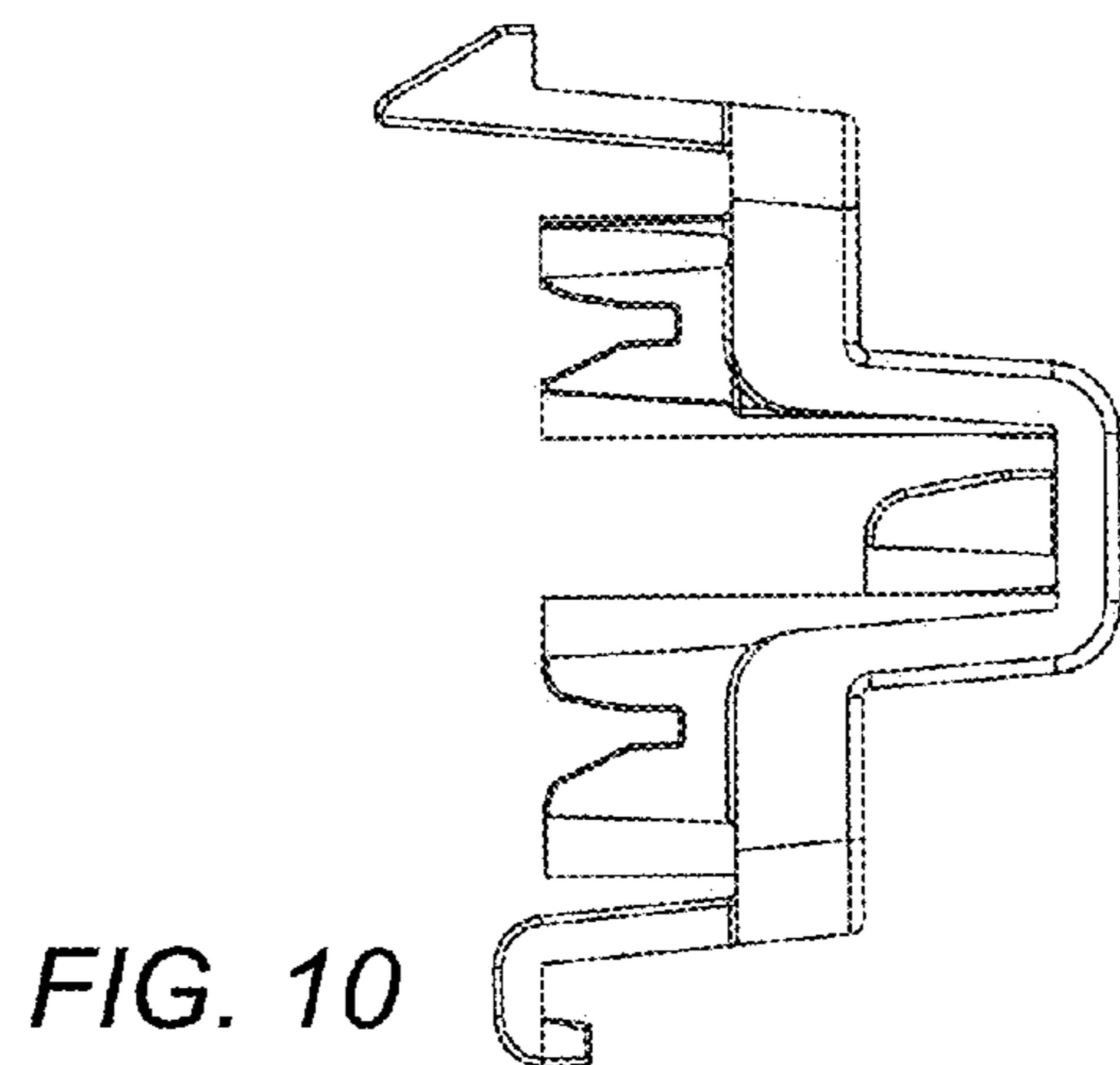
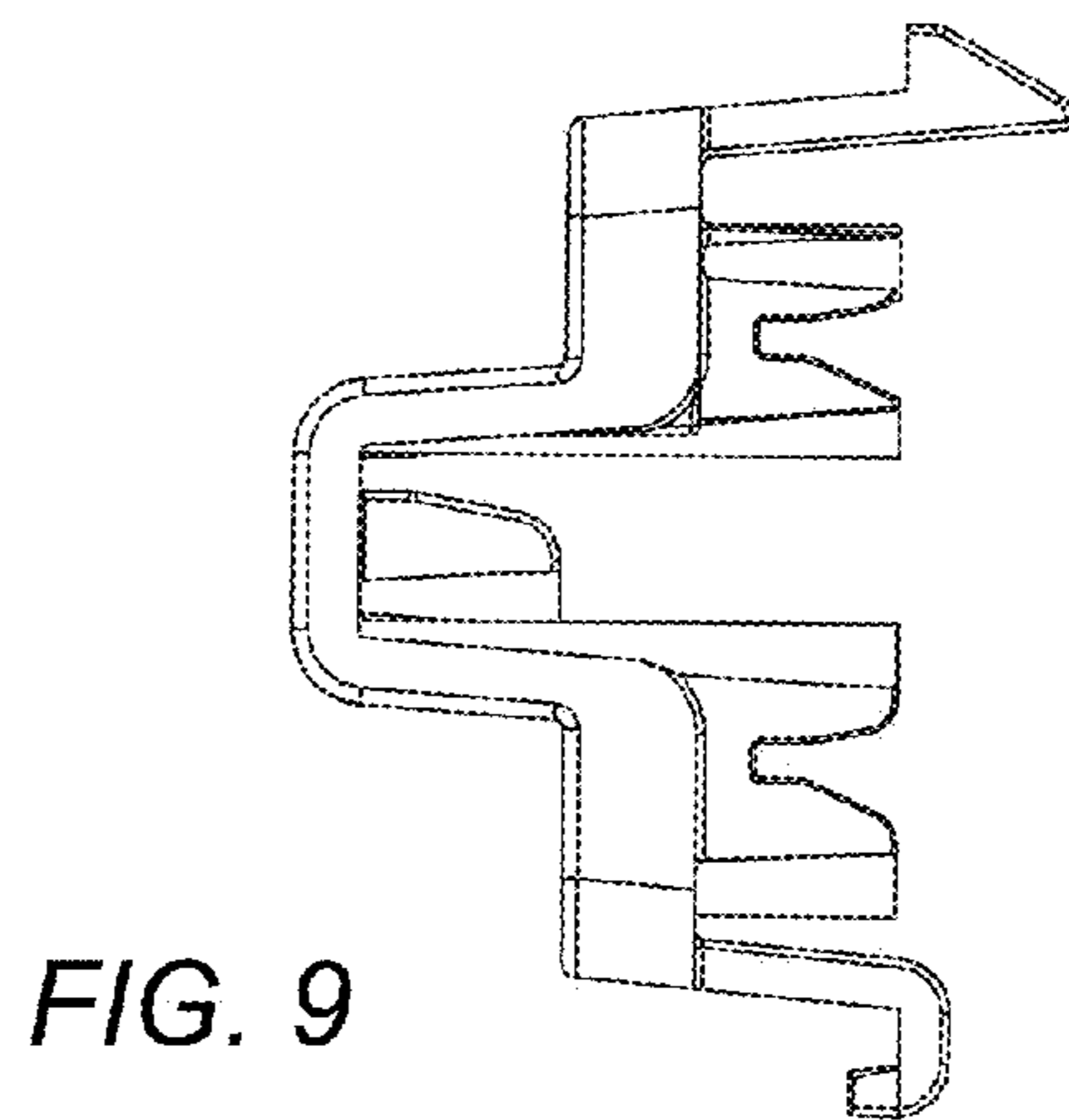
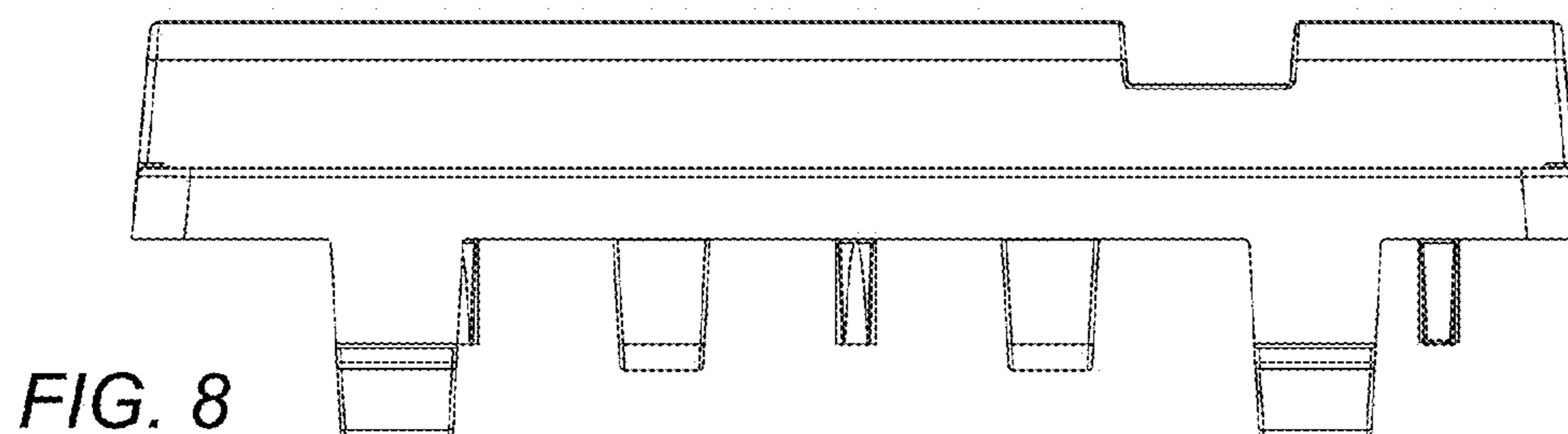


FIG. 7



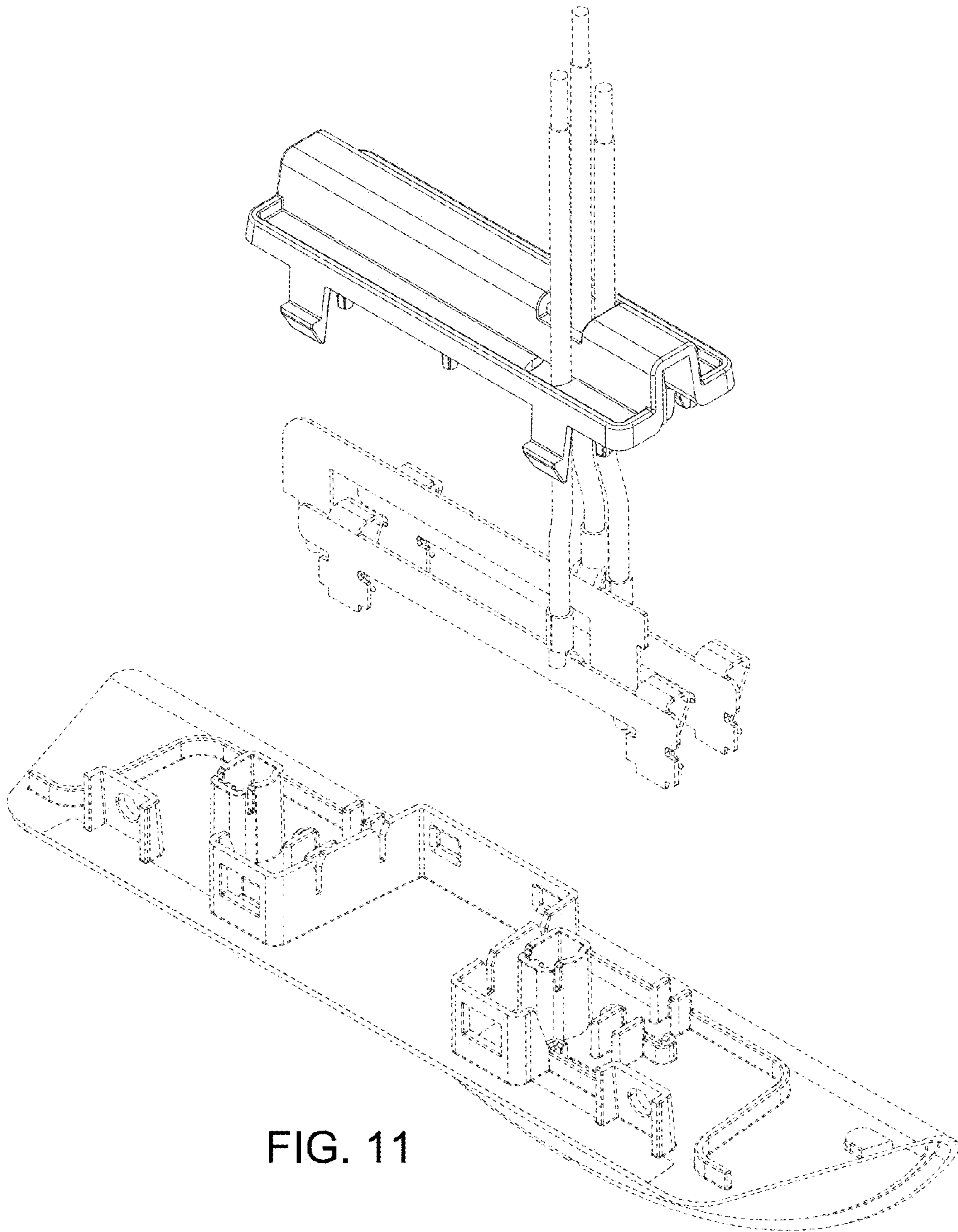


FIG. 11

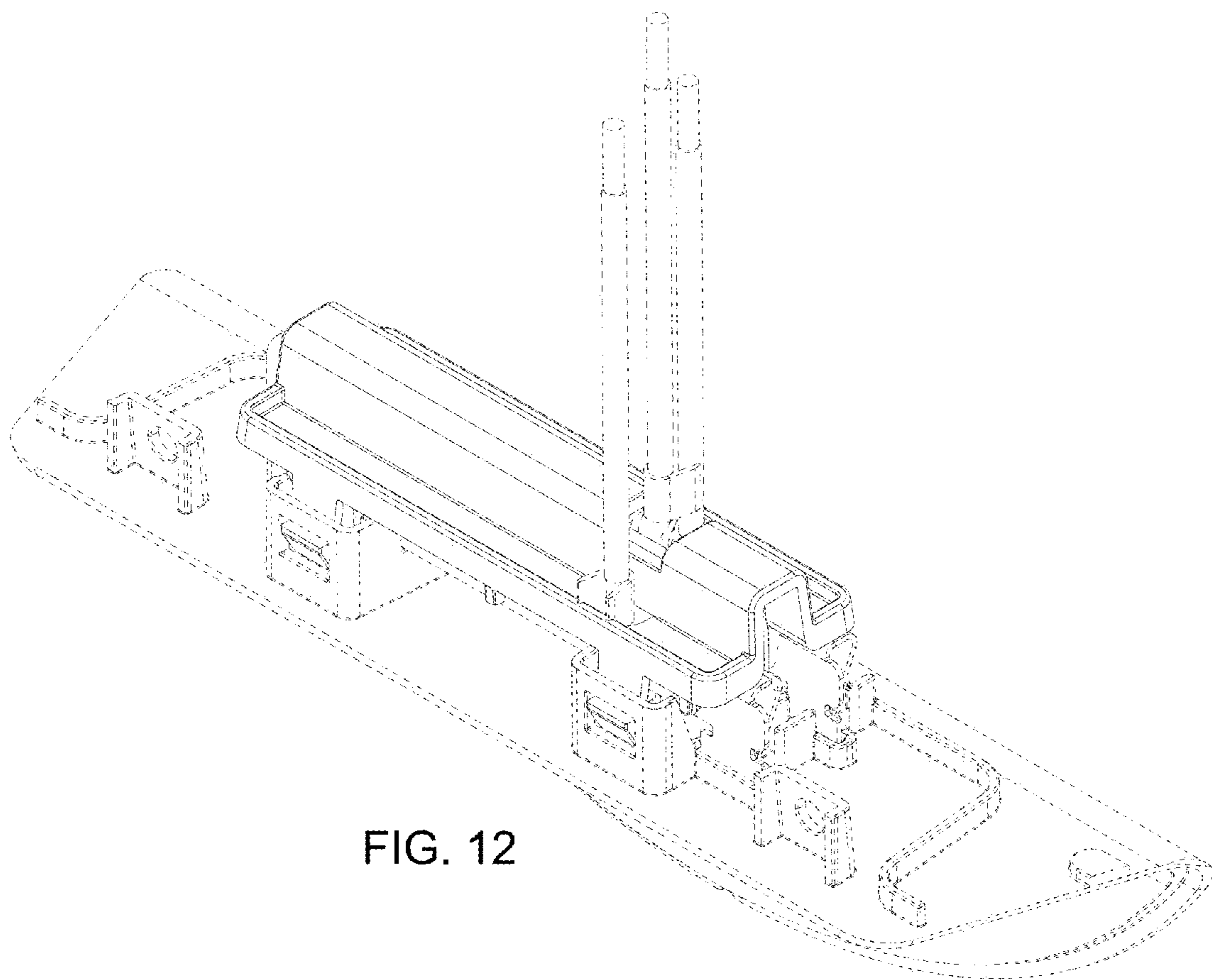


FIG. 12