



US00D758319S

(12) **United States Design Patent**  
**Byrne et al.**

(10) **Patent No.:** **US D758,319 S**  
(45) **Date of Patent:** **\*\* Jun. 7, 2016**

(54) **ELECTRICAL BUS BAR SUPPORT**

(71) Applicants: **Norman R. Byrne**, Ada, MI (US);  
**Robert L. Knapp**, Rockford, MI (US);  
**Steven K. Meek**, Grand Rapids, MI  
(US); **Matthew R. Andree**, Rockford,  
MI (US)

(72) Inventors: **Norman R. Byrne**, Ada, MI (US);  
**Robert L. Knapp**, Rockford, MI (US);  
**Steven K. Meek**, Grand Rapids, MI  
(US); **Matthew R. Andree**, Rockford,  
MI (US)

(\*\*) Term: **14 Years**

(21) Appl. No.: **29/524,541**

(22) Filed: **Apr. 21, 2015**

(51) **LOC (10) Cl.** ..... **13-03**

(52) **U.S. Cl.**  
USPC ..... **D13/154**

(58) **Field of Classification Search**  
USPC ..... D13/146, 147, 154, 184, 199  
See application file for complete search history.

(56) **References Cited**

U.S. PATENT DOCUMENTS

4,313,646	A	2/1982	Millhimes et al.	
5,096,431	A	3/1992	Byrne	
5,434,749	A	7/1995	Nakayama	
D457,860	S *	5/2002	Larsen	D13/147
6,488,540	B2	12/2002	Coyle, Jr. et al.	
7,488,204	B2	2/2009	Hsu	
7,641,510	B2	1/2010	Byrne	
D619,537	S *	7/2010	Cohen	D13/147
7,771,239	B1	8/2010	Hsiao	
D635,519	S *	4/2011	Hoffman	D13/147
8,496,492	B2	7/2013	Byrne	
8,585,419	B2	11/2013	Byrne	
8,616,926	B2	12/2013	Byrne	
8,736,106	B2	5/2014	Byrne et al.	
8,920,201	B2	12/2014	Byrne	

9,048,598	B2	6/2015	Byrne et al.	
9,166,308	B2	10/2015	Byrne	
2006/0240694	A1 *	10/2006	Buettner	H02G 5/025 439/212
2008/0280475	A1	11/2008	Byrne	
2009/0239402	A1	9/2009	Byrne	
2009/0239403	A1	9/2009	Byrne	
2013/0214593	A1 *	8/2013	Ohashi	G01R 15/207 307/10.1

FOREIGN PATENT DOCUMENTS

JP 5-176433 7/1993

\* cited by examiner

Primary Examiner — Daniel Bui

(74) Attorney, Agent, or Firm — Gardner, Linn, Burkhardt & Flory, LLP

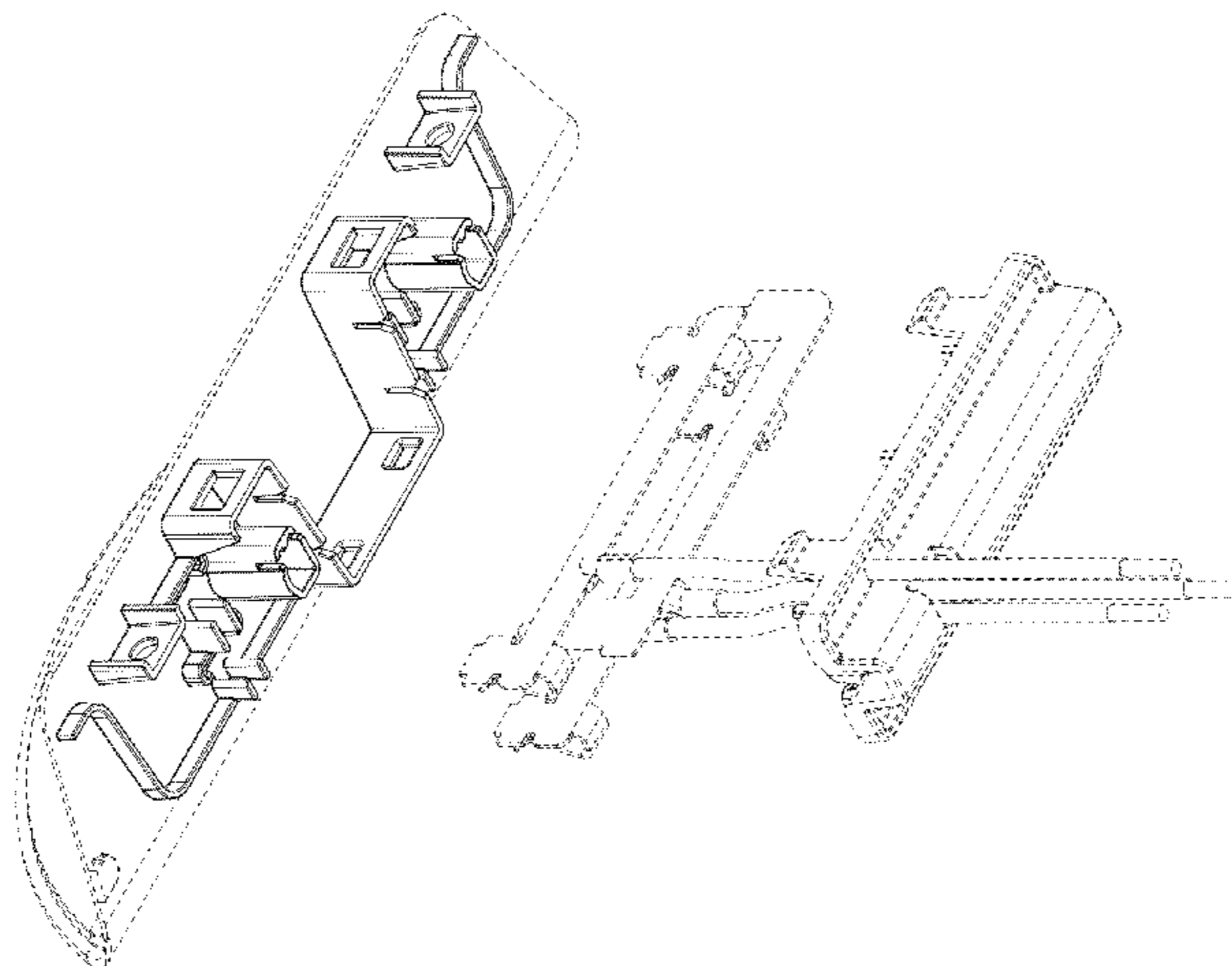
(57) **CLAIM**

The ornamental design for an electrical bus bar support, as shown and described.

**DESCRIPTION**

FIG. 1 is a front and bottom perspective view of an electrical busbar support showing our new design; FIG. 2 is a front and top perspective view thereof; FIG. 3 is a top plan view thereof; FIG. 4 is a bottom plan view thereof; FIG. 5 is a front elevation view thereof; FIG. 6 is a side elevation view thereof; FIG. 7 is an opposite side elevation view thereof; FIG. 8 is a front and top perspective view thereof, in use condition; and, FIG. 9 is another front and top perspective view thereof, in use condition. A rear elevation of the electrical bus bar support constitutes no part of the claimed design. In the drawings, the broken lines depict unclaimed subject matter only and form no part of the claimed design.

**1 Claim, 4 Drawing Sheets**



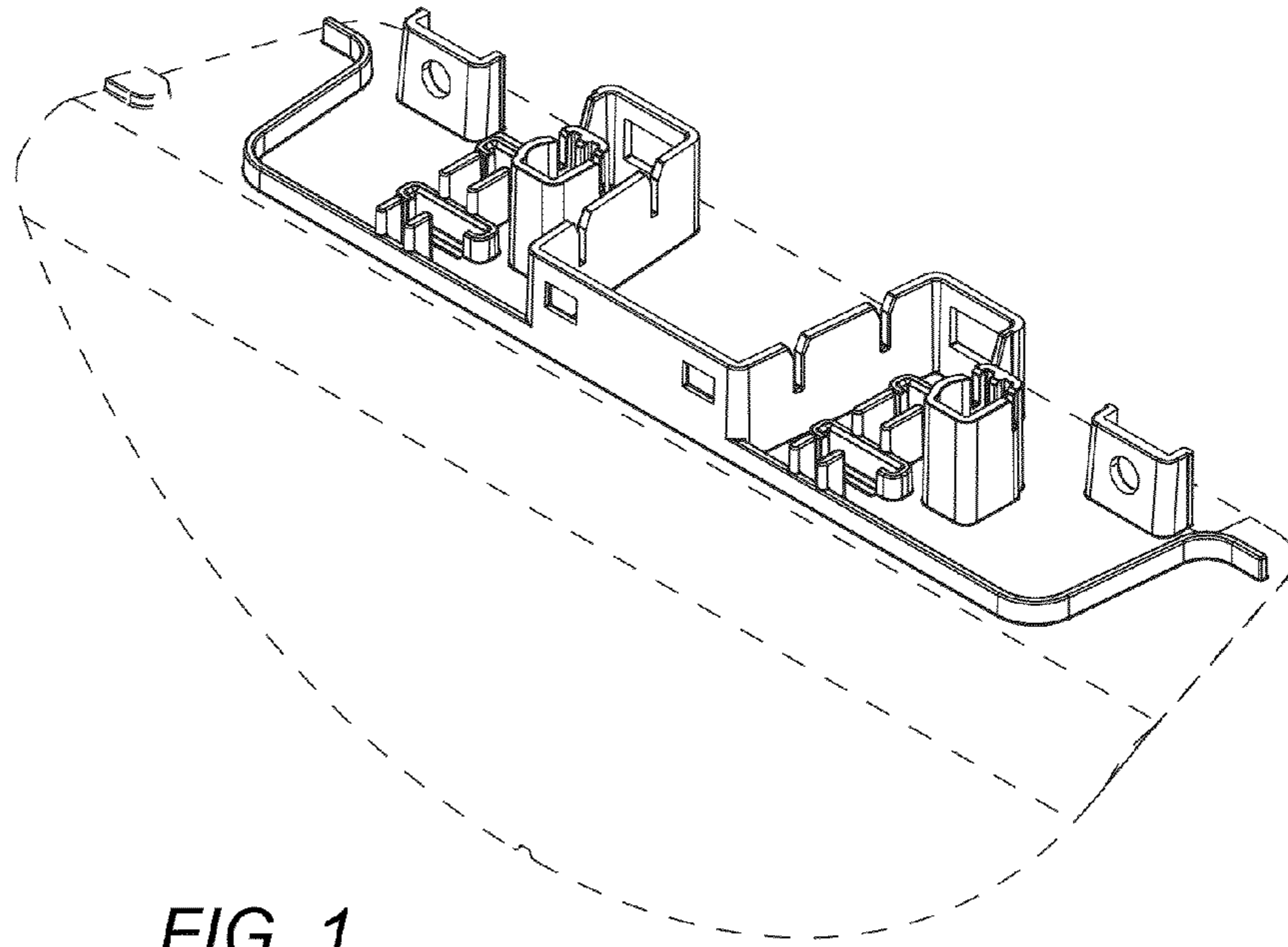


FIG. 1

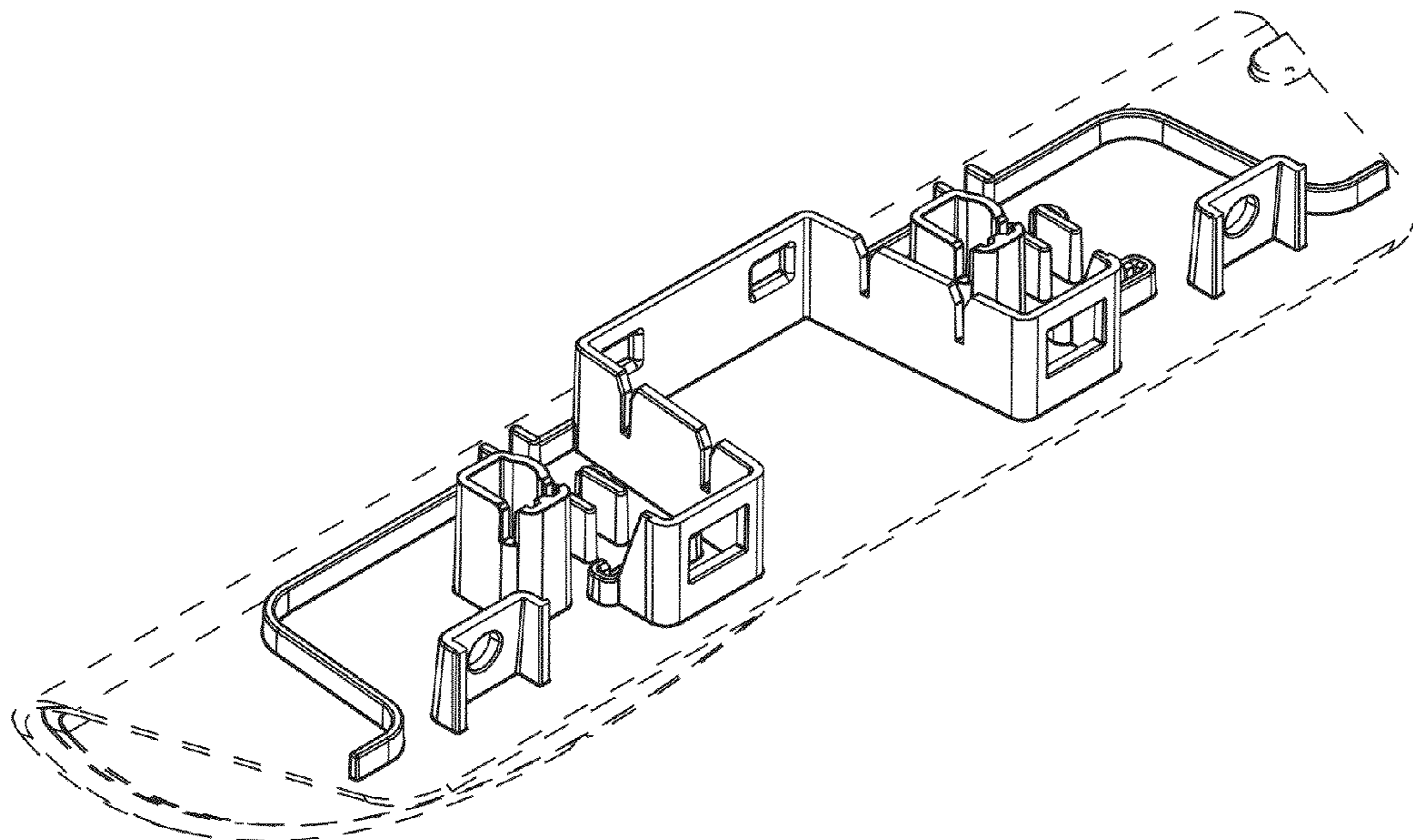


FIG. 2

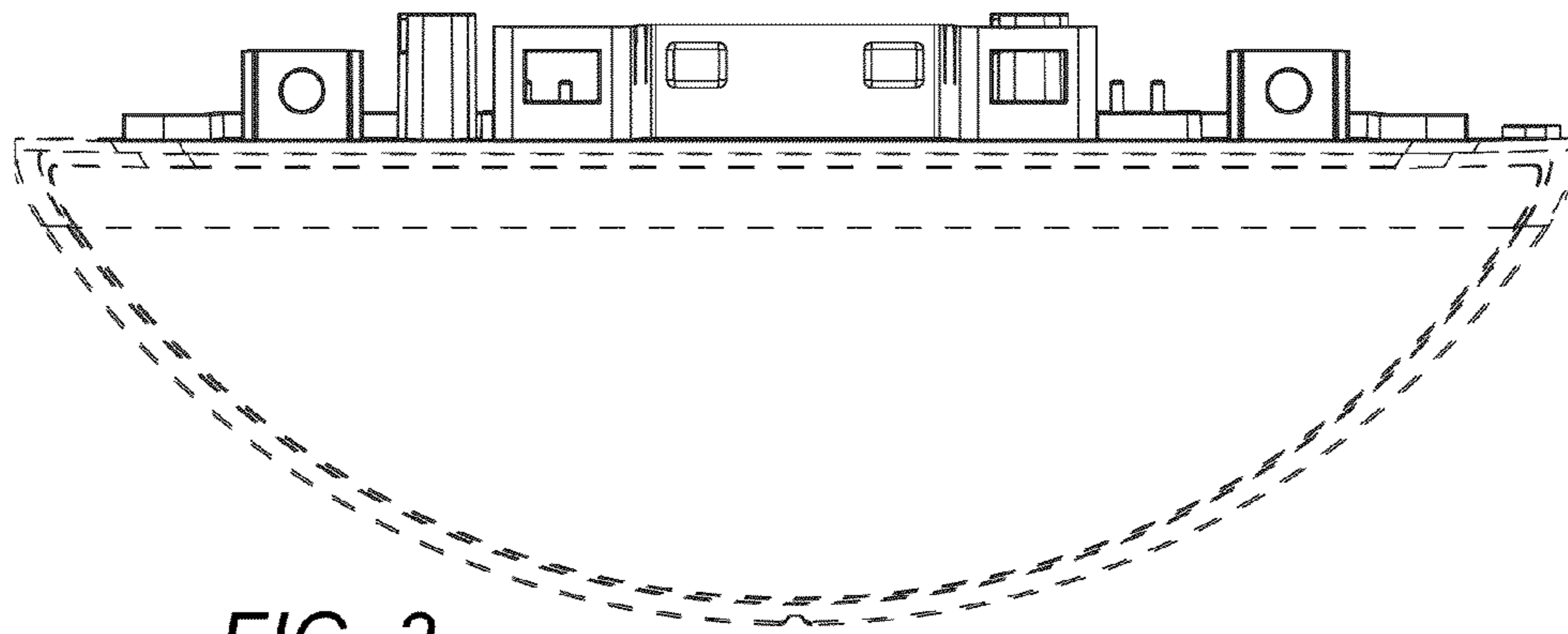


FIG. 3

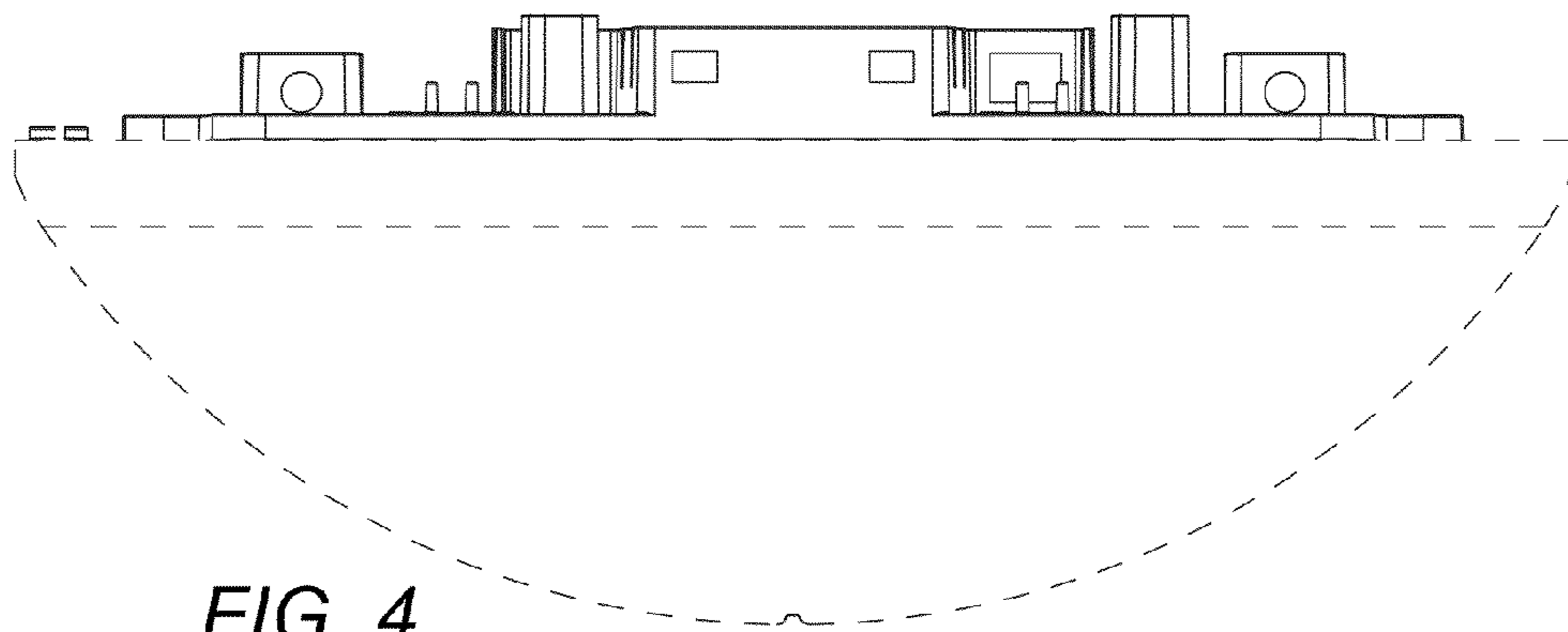


FIG. 4

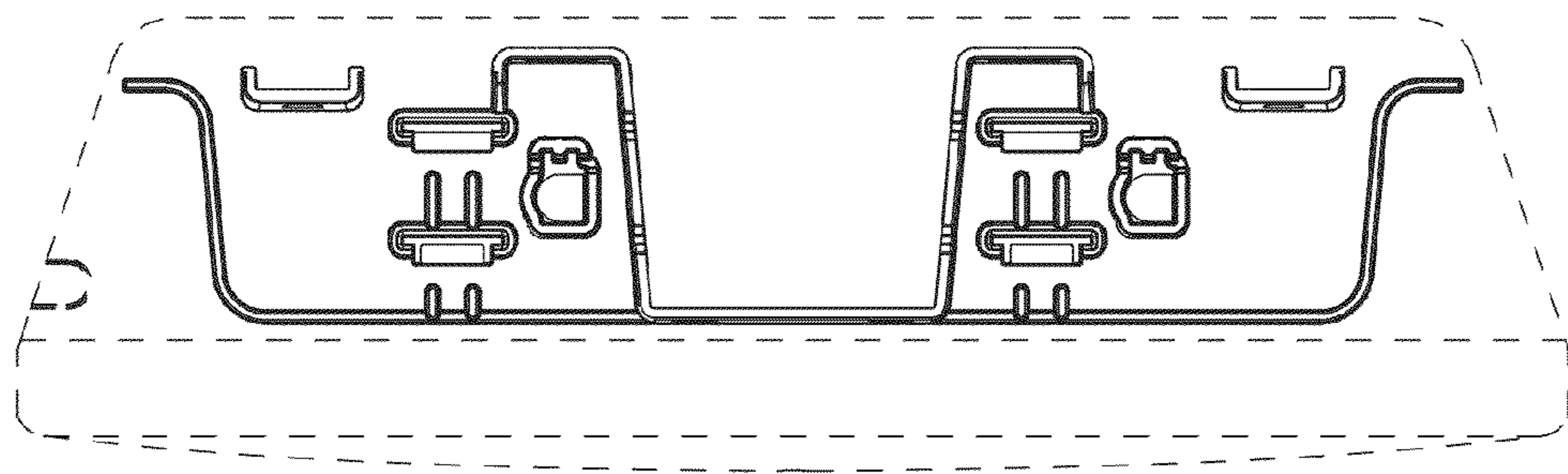


FIG. 5

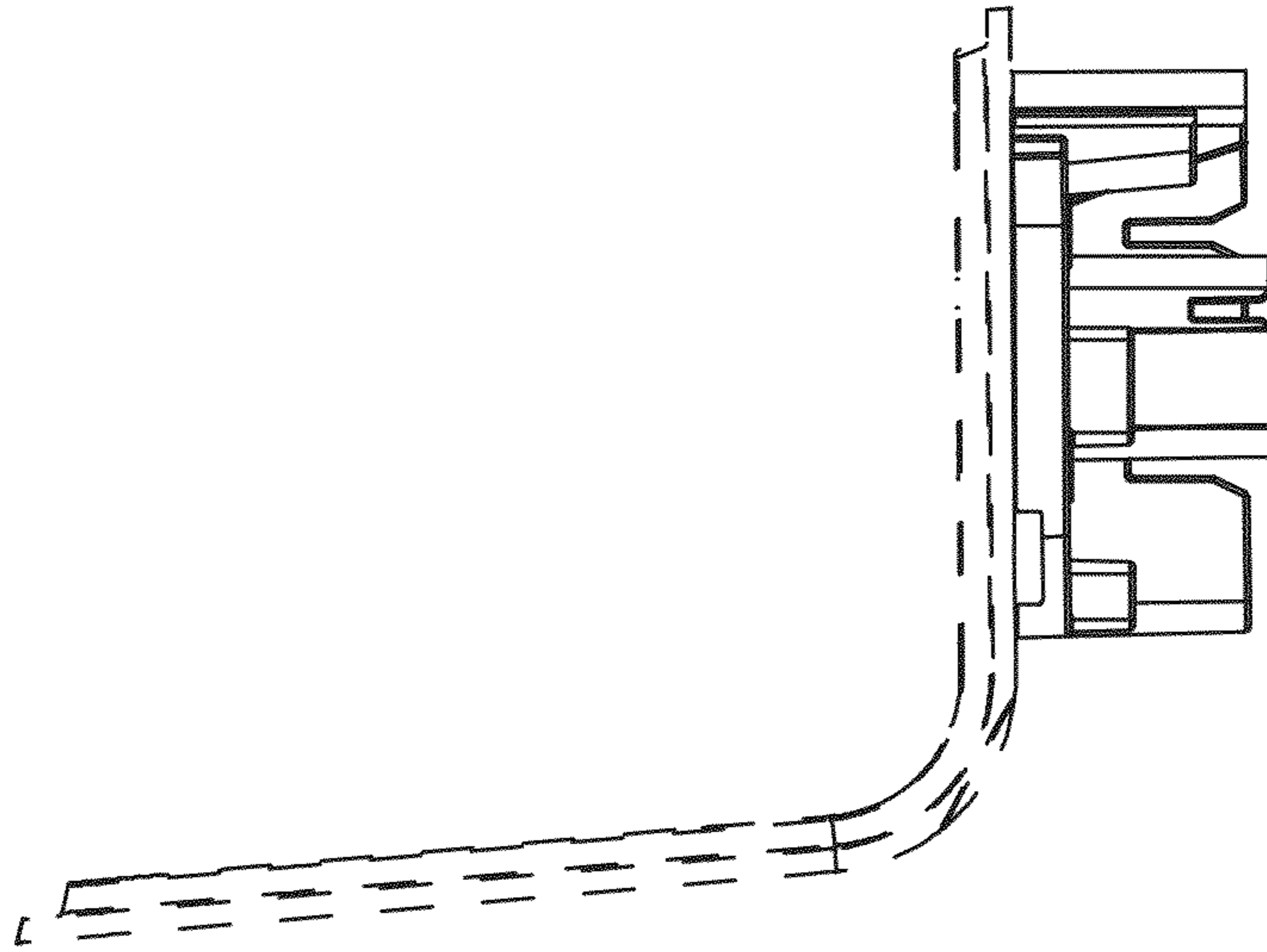


FIG. 6

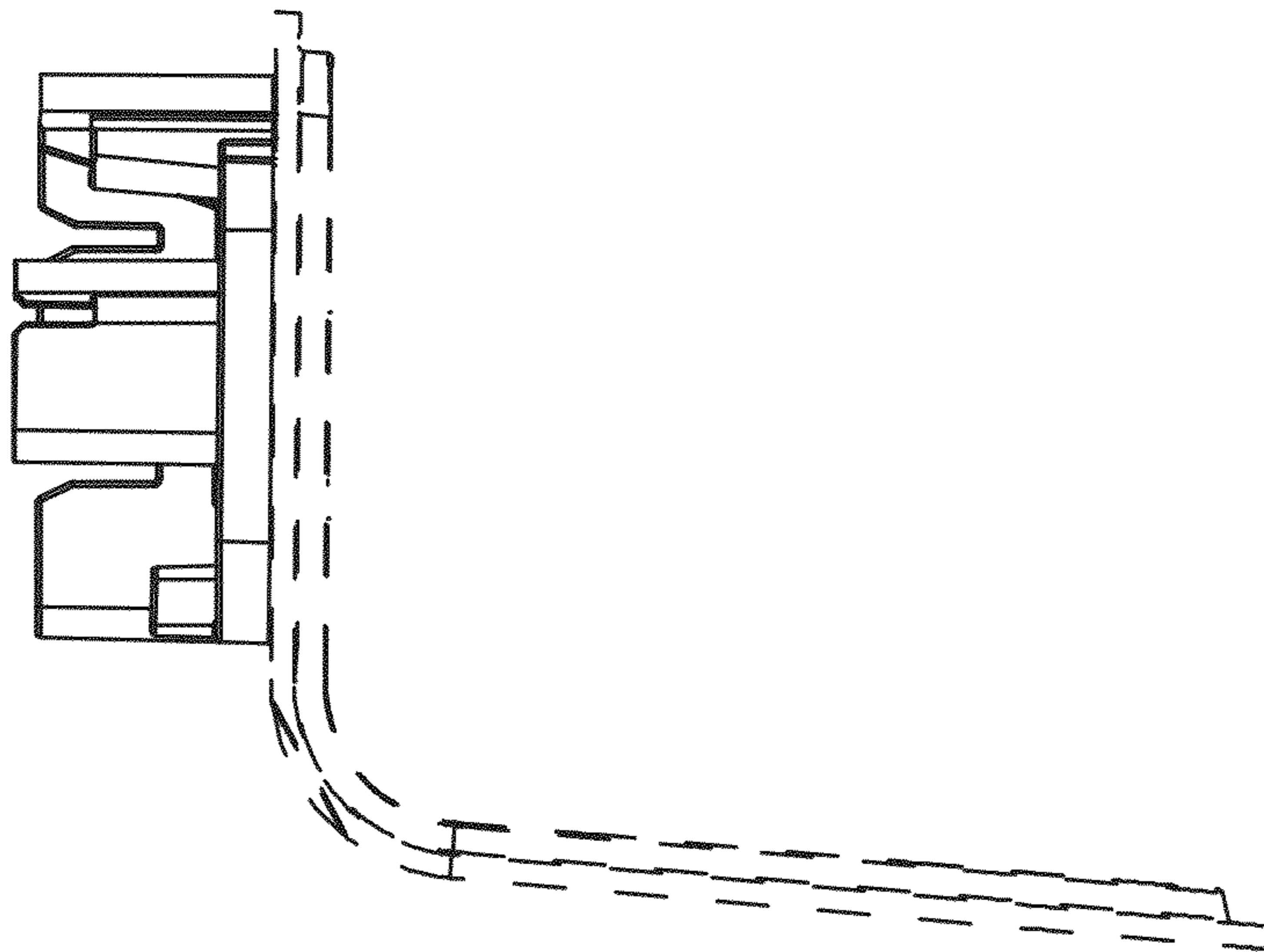


FIG. 7

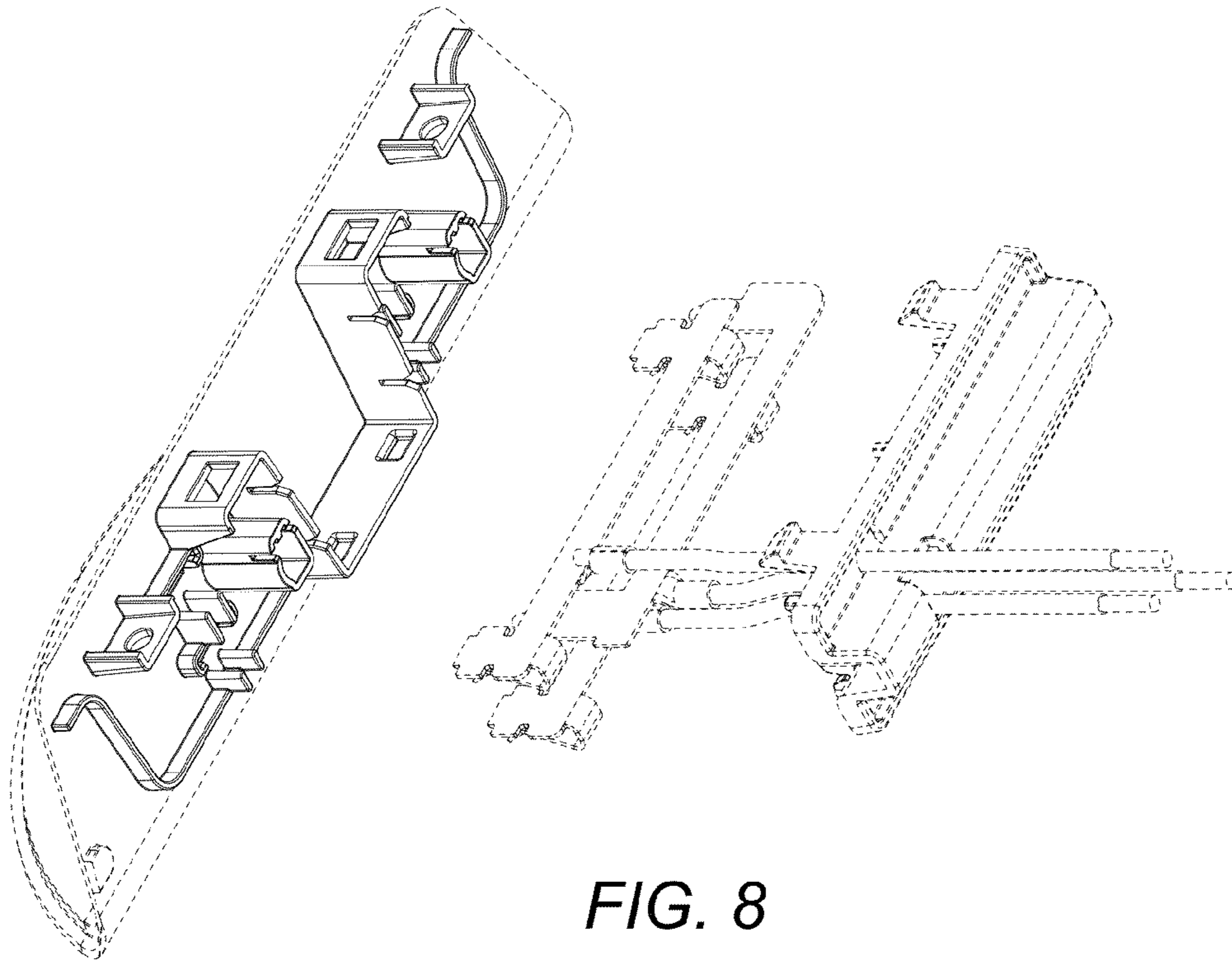


FIG. 8

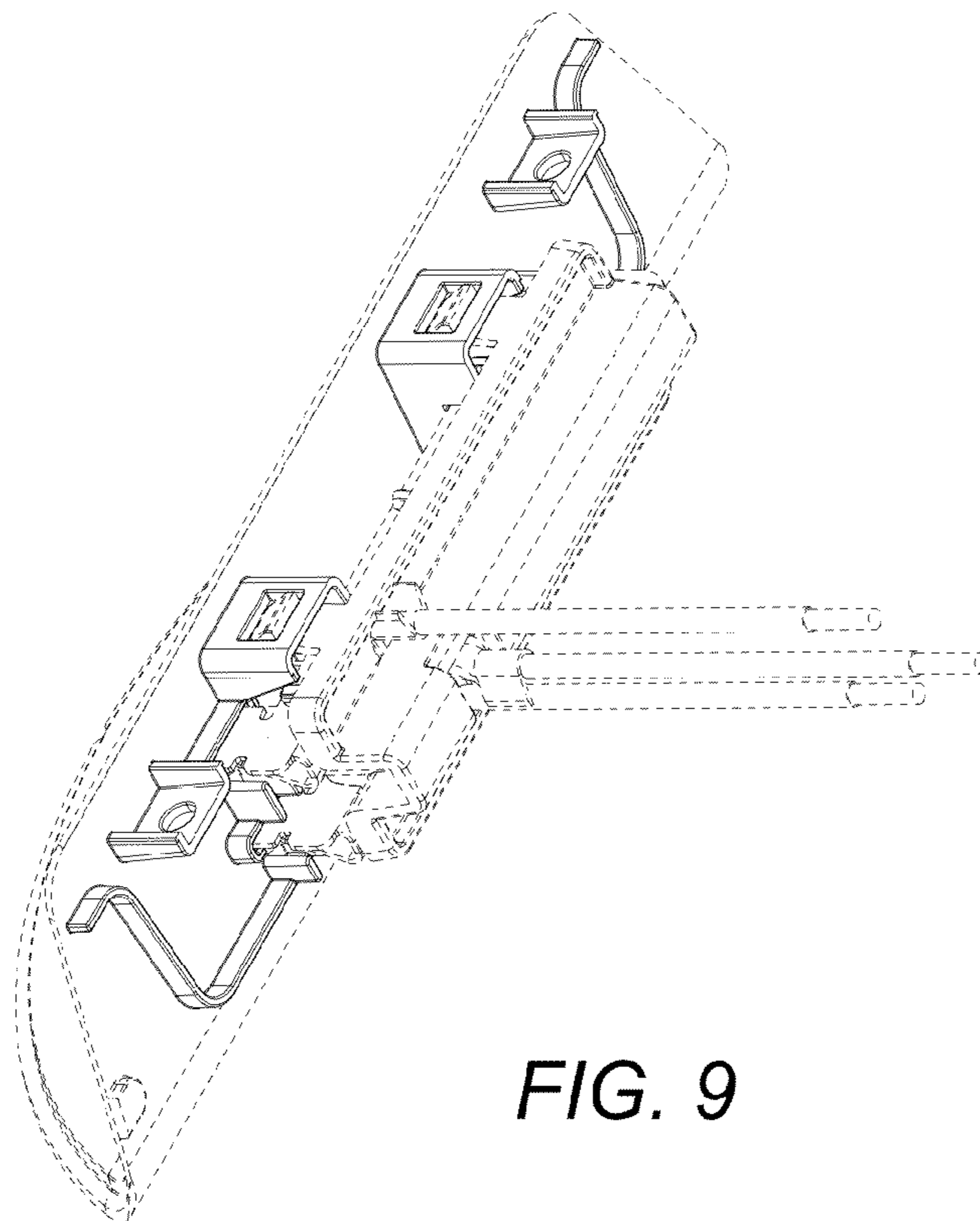


FIG. 9