



US00D758315S

(12) **United States Design Patent**  
**Yoshiura**

(10) **Patent No.:** **US D758,315 S**  
(45) **Date of Patent:** **\*\* Jun. 7, 2016**

(54) **ELECTRICAL CONNECTOR**

(71) Applicant: **SMK Corporation**, Tokyo (JP)

(72) Inventor: **Yasuo Yoshiura**, Tokyo (JP)

(73) Assignee: **SMK Corporation**, Tokyo (JP)

(\*\*) Term: **14 Years**

(21) Appl. No.: **29/490,033**

(22) Filed: **May 6, 2014**

(30) **Foreign Application Priority Data**

Nov. 15, 2013 (JP) ..... D2013-026760

(51) **LOC (10) Cl.** ..... **13-03**

(52) **U.S. Cl.**  
USPC ..... **D13/147**

(58) **Field of Classification Search**  
USPC ..... D13/133, 146, 147, 154, 184, 199  
See application file for complete search history.

(56) **References Cited**

**U.S. PATENT DOCUMENTS**

D210,287 S \* 2/1968 Venema ..... 138/155  
D315,717 S \* 3/1991 Takenouchi ..... D13/146  
D321,860 S \* 11/1991 Nagasaka ..... D13/147

D323,316 S \* 1/1992 Ohkura ..... D13/133  
D325,024 S \* 3/1992 Suzuki ..... D13/133  
D327,670 S \* 7/1992 Kozono ..... D13/133  
D609,647 S \* 2/2010 Oka ..... D13/147

\* cited by examiner

*Primary Examiner* — Daniel Bui

(74) *Attorney, Agent, or Firm* — Locke Lord LLP

(57) **CLAIM**

The ornamental design for an electrical connector, as shown and described.

**DESCRIPTION**

FIG. 1 is a front elevation view of the electrical connector; FIG. 2 is a top plan view thereof; FIG. 3 is a right-side elevation view thereof; FIG. 4 is a left-side elevation view thereof; FIG. 5 is a rear elevation view thereof; FIG. 6 is a bottom plan view thereof; FIG. 7 is a front perspective view thereof; FIG. 8 is a rear perspective view thereof; and, FIG. 9 is a cross-sectional view thereof, taken along lines "9-9" of FIG. 1.

The broken line in the figure drawing views is included to show unclaimed subject matter only and forms no part of the claimed design.

**1 Claim, 9 Drawing Sheets**

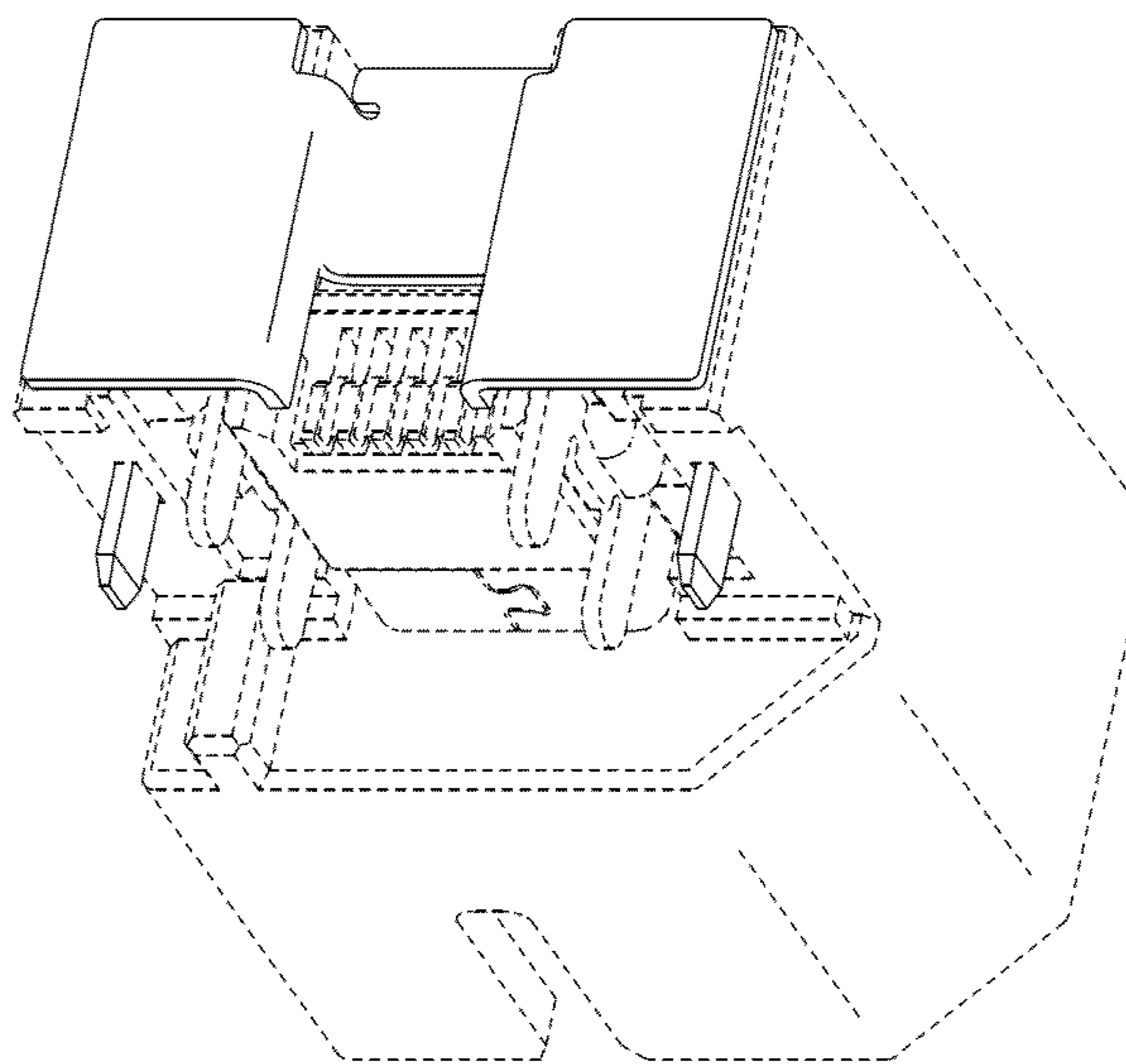
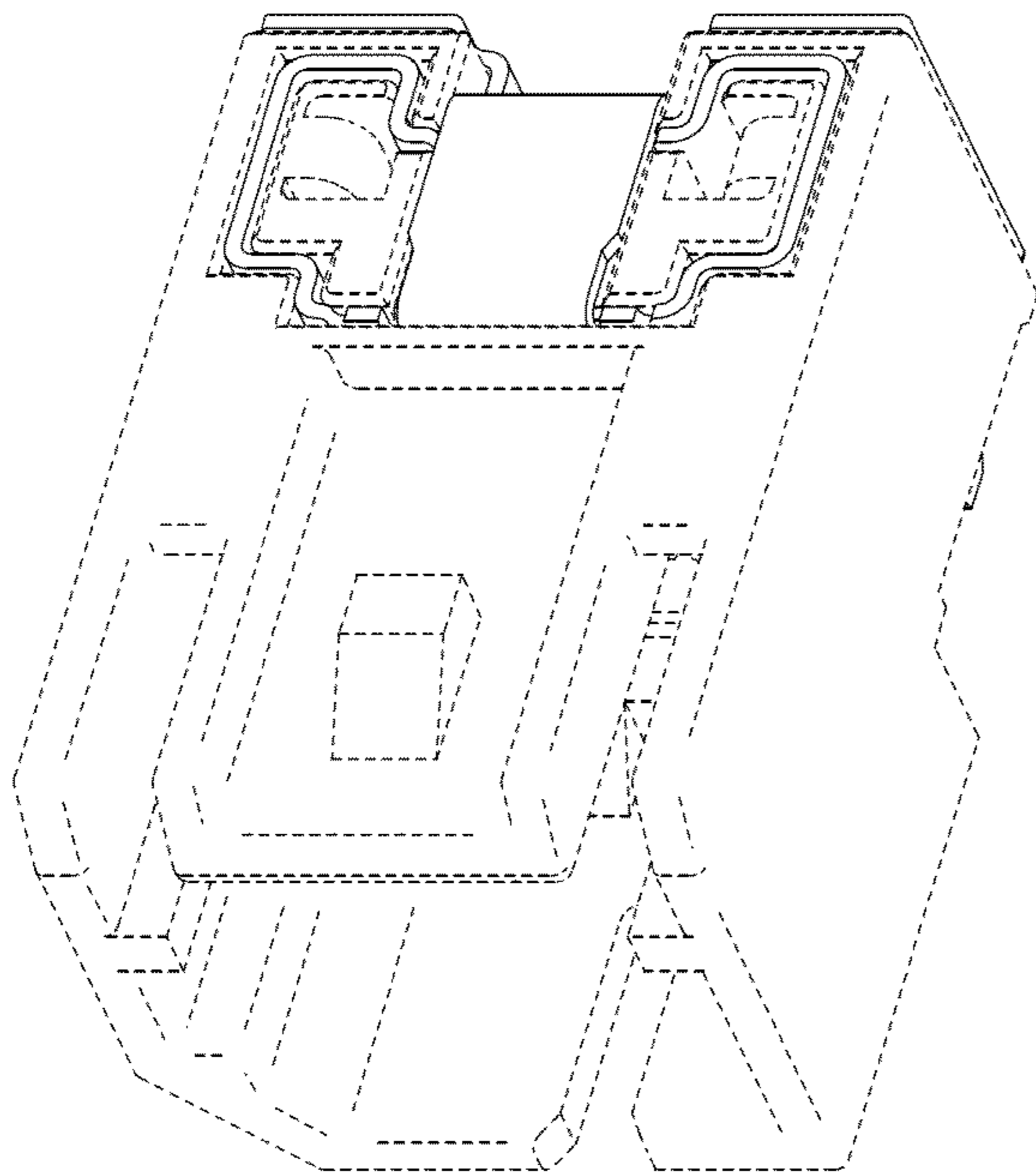


Fig. 1

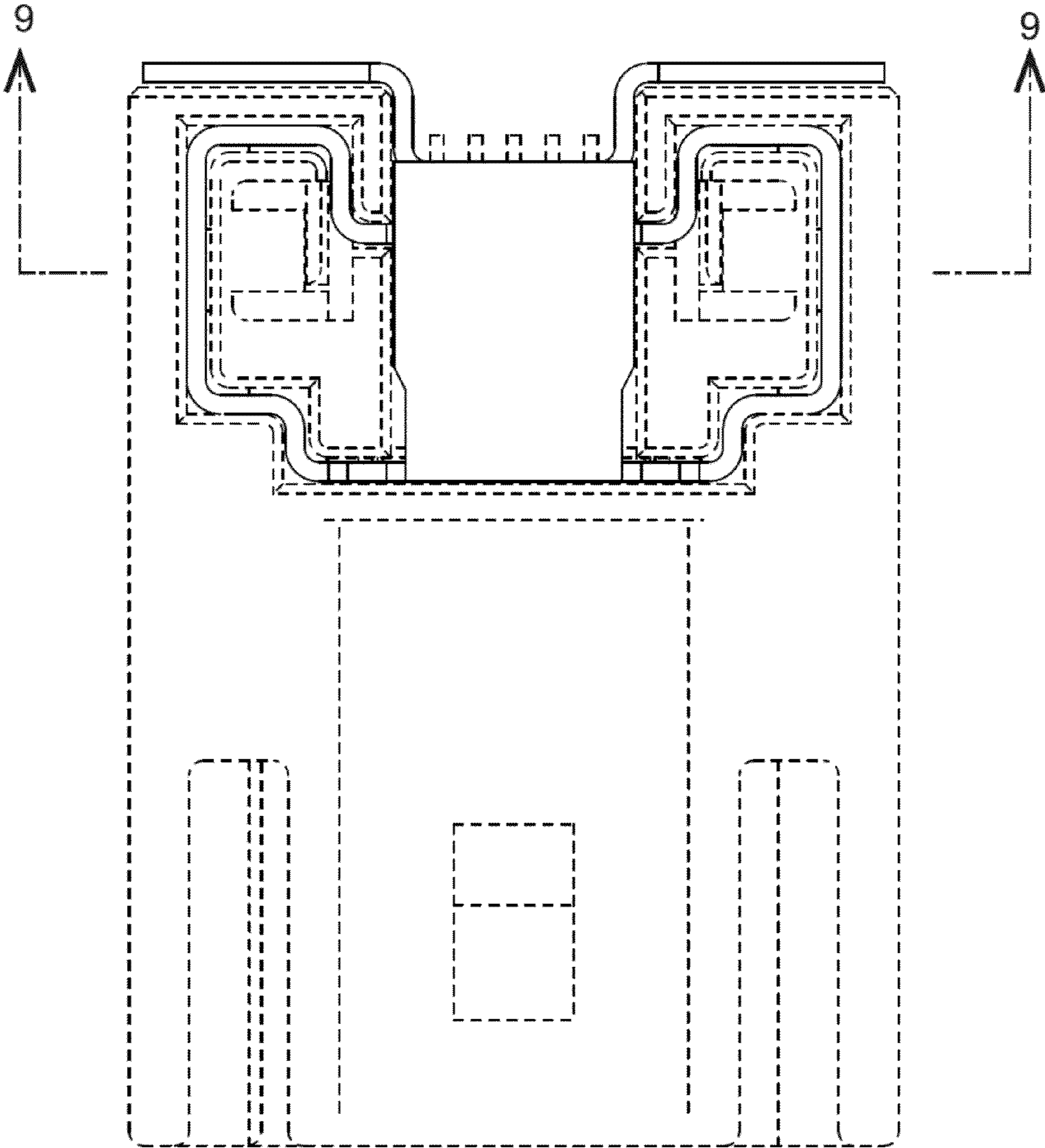


Fig. 2

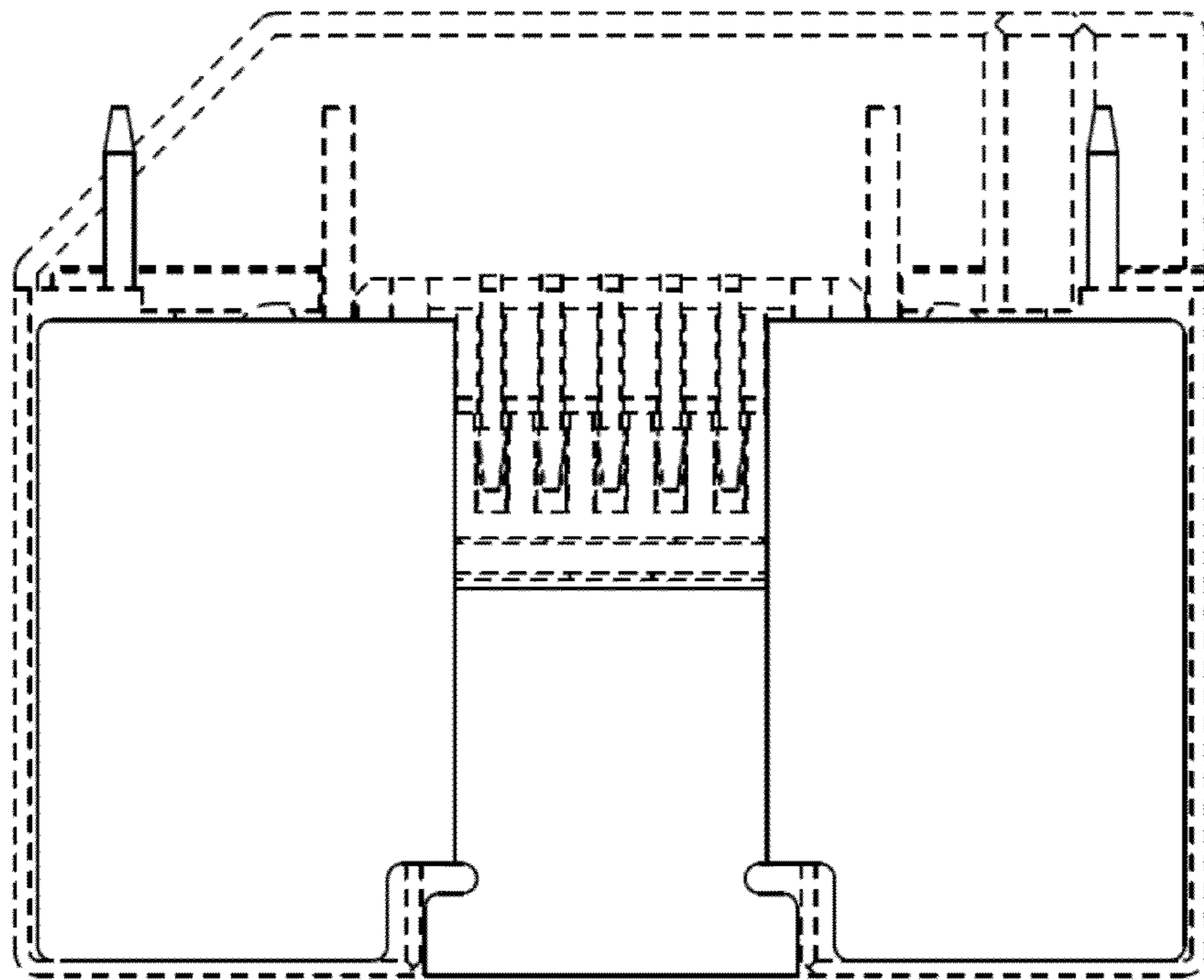


Fig. 3

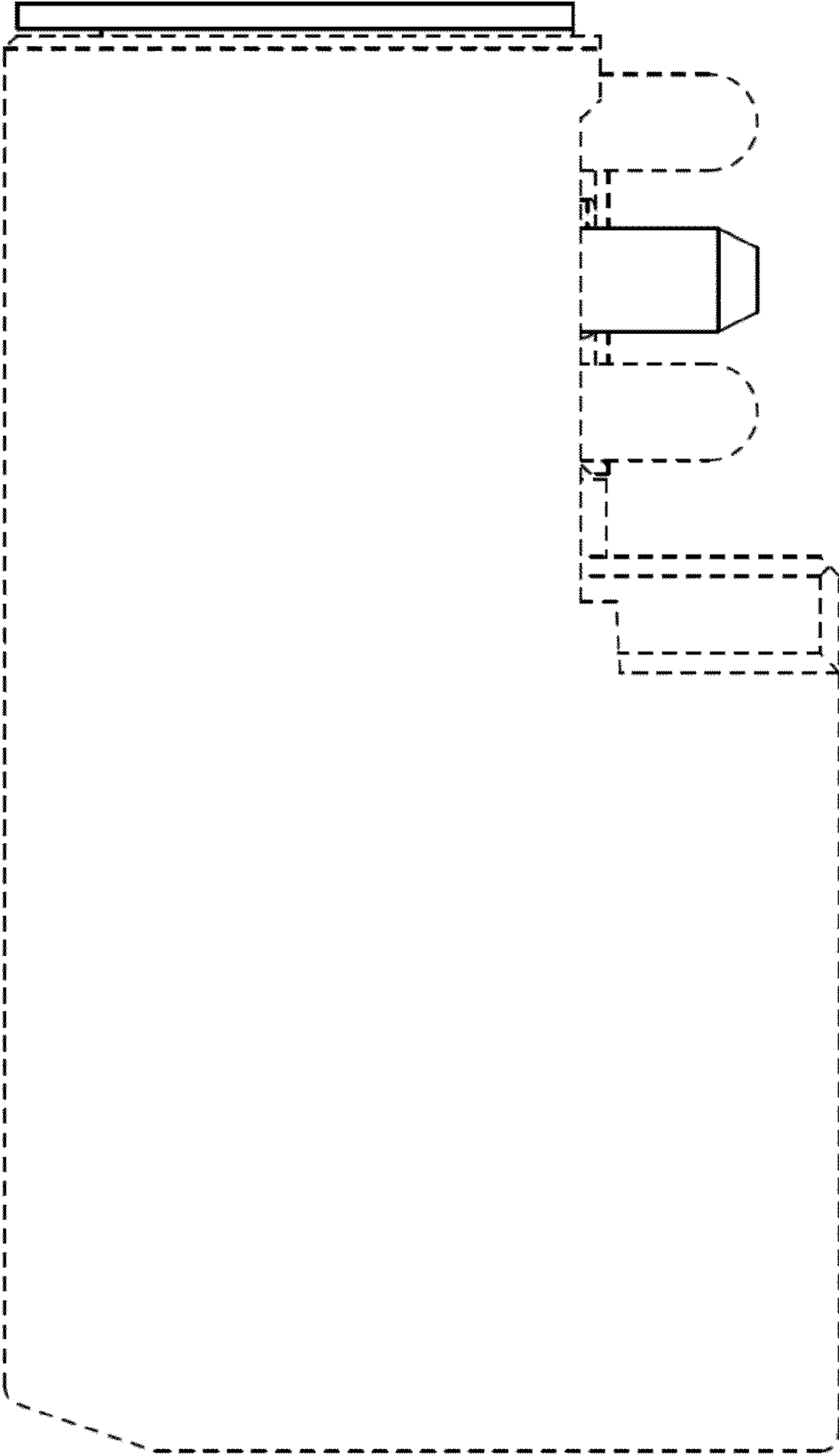


Fig. 4

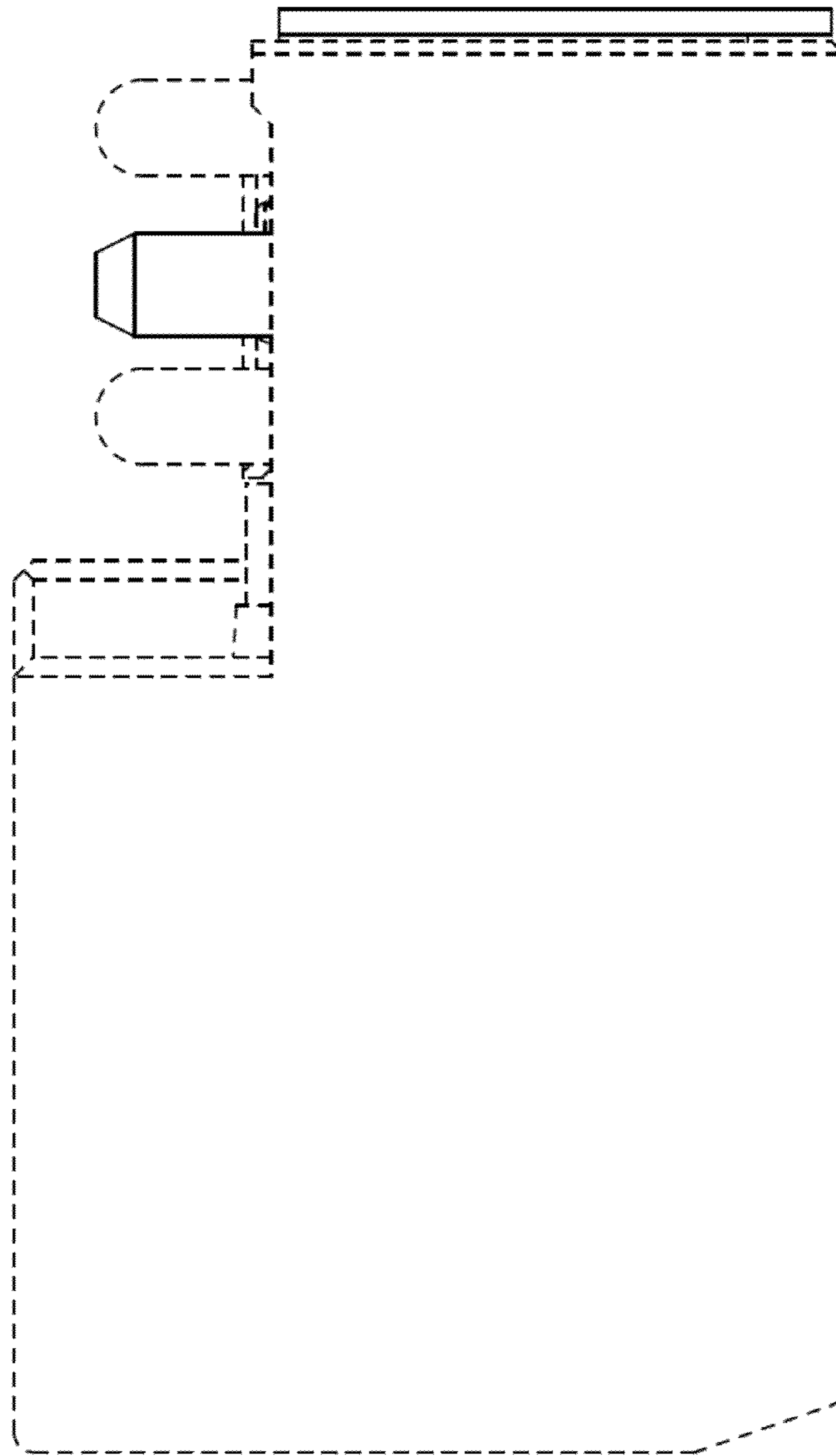




Fig. 5

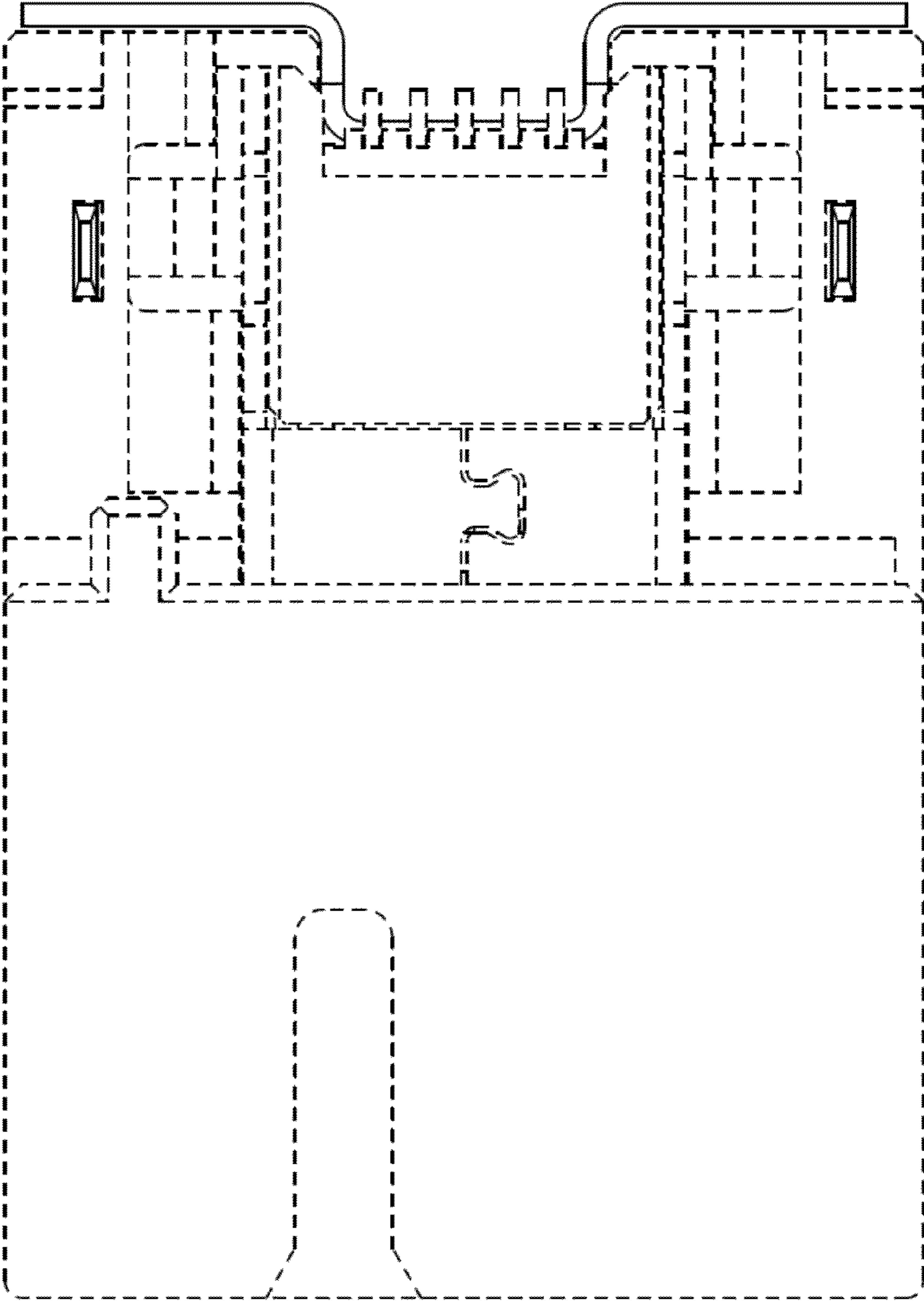


Fig. 6

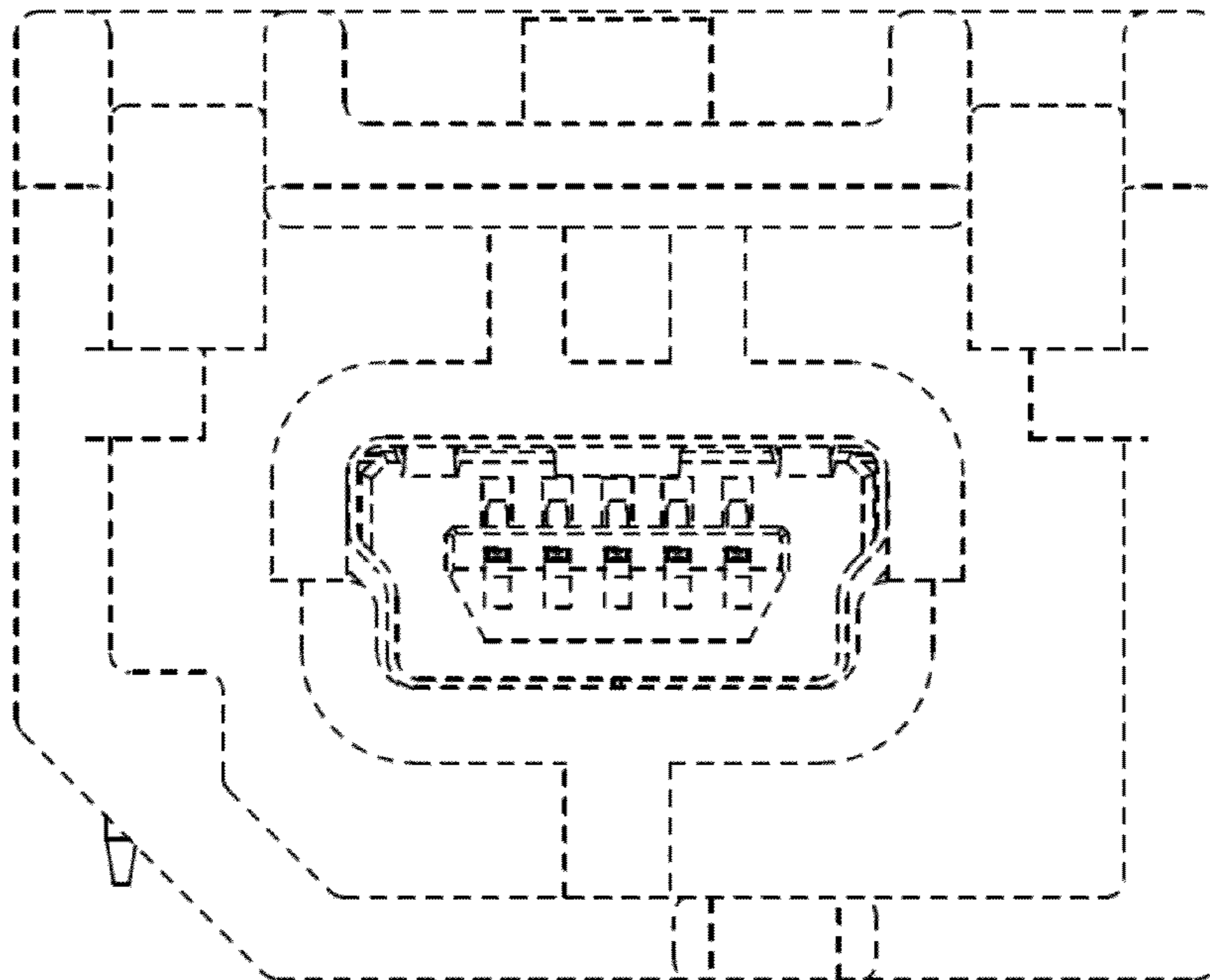


Fig. 7

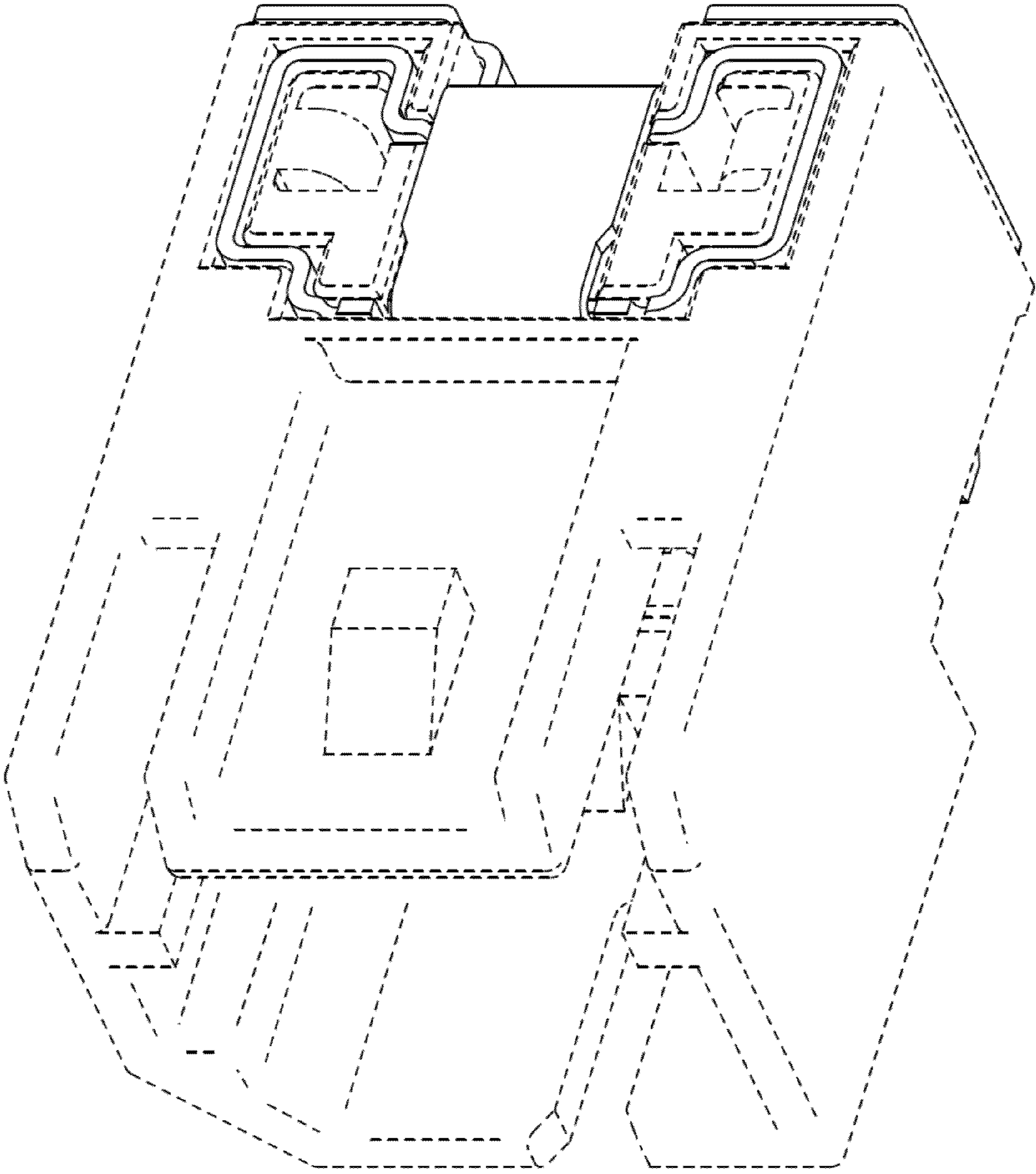




Fig. 8

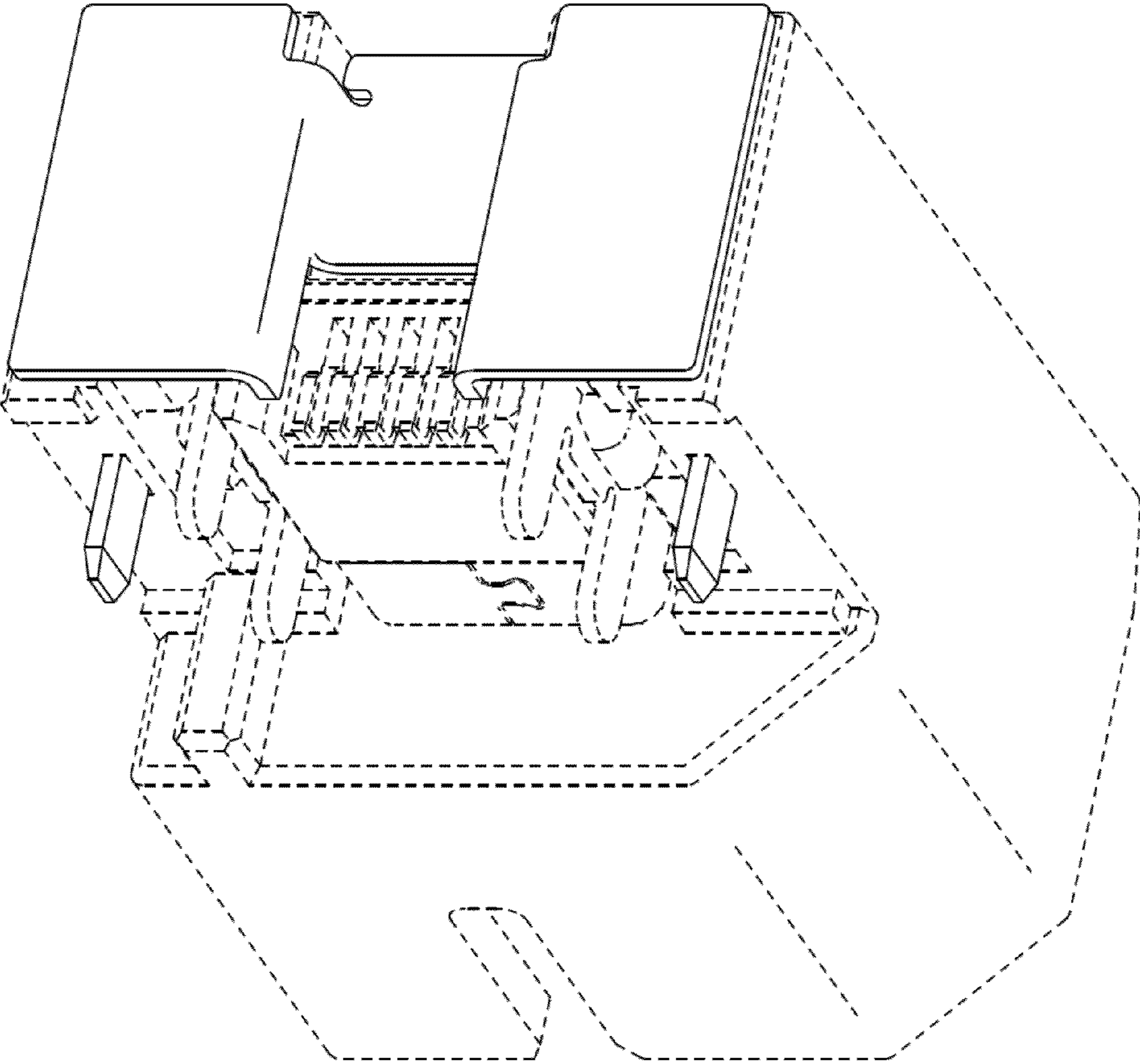


Fig. 9

