

US00D758314S

(12) **United States Design Patent**
Shanahan et al.

(10) **Patent No.:** **US D758,314 S**
(45) **Date of Patent:** **** Jun. 7, 2016**

(54) **ELECTRONIC HOUSING**

(71) Applicant: **Micro Motion, Inc.**, Boulder, CO (US)
(72) Inventors: **Shaun E Shanahan**, Boulder, CO (US);
Clayton T James, Longmont, CO (US);
David Clarke, Lafayette, CO (US); **Atul**
Vasant Deshpande, Bibwewadi (IN);
William M Mansfield, Niwot, CO (US)
(73) Assignee: **Micro Motion, Inc.**, Boulder, CO (US)
(**) Term: **14 Years**

(21) Appl. No.: **29/503,620**
(22) Filed: **Sep. 29, 2014**
(51) **LOC (10) Cl.** **13-03**
(52) **U.S. Cl.**
USPC **D13/146**
(58) **Field of Classification Search**
USPC D13/110, 118, 120, 133, 146, 147, 154,
D13/155, 184, 199

See application file for complete search history.

(56) **References Cited**

U.S. PATENT DOCUMENTS

D336,282 S * 6/1993 Guginsky D13/133
D686,573 S * 7/2013 Wu D13/130
D736,156 S * 8/2015 Windenberger D13/133

* cited by examiner

Primary Examiner — Daniel Bui
(74) *Attorney, Agent, or Firm* — The Ollila Law Group LLC

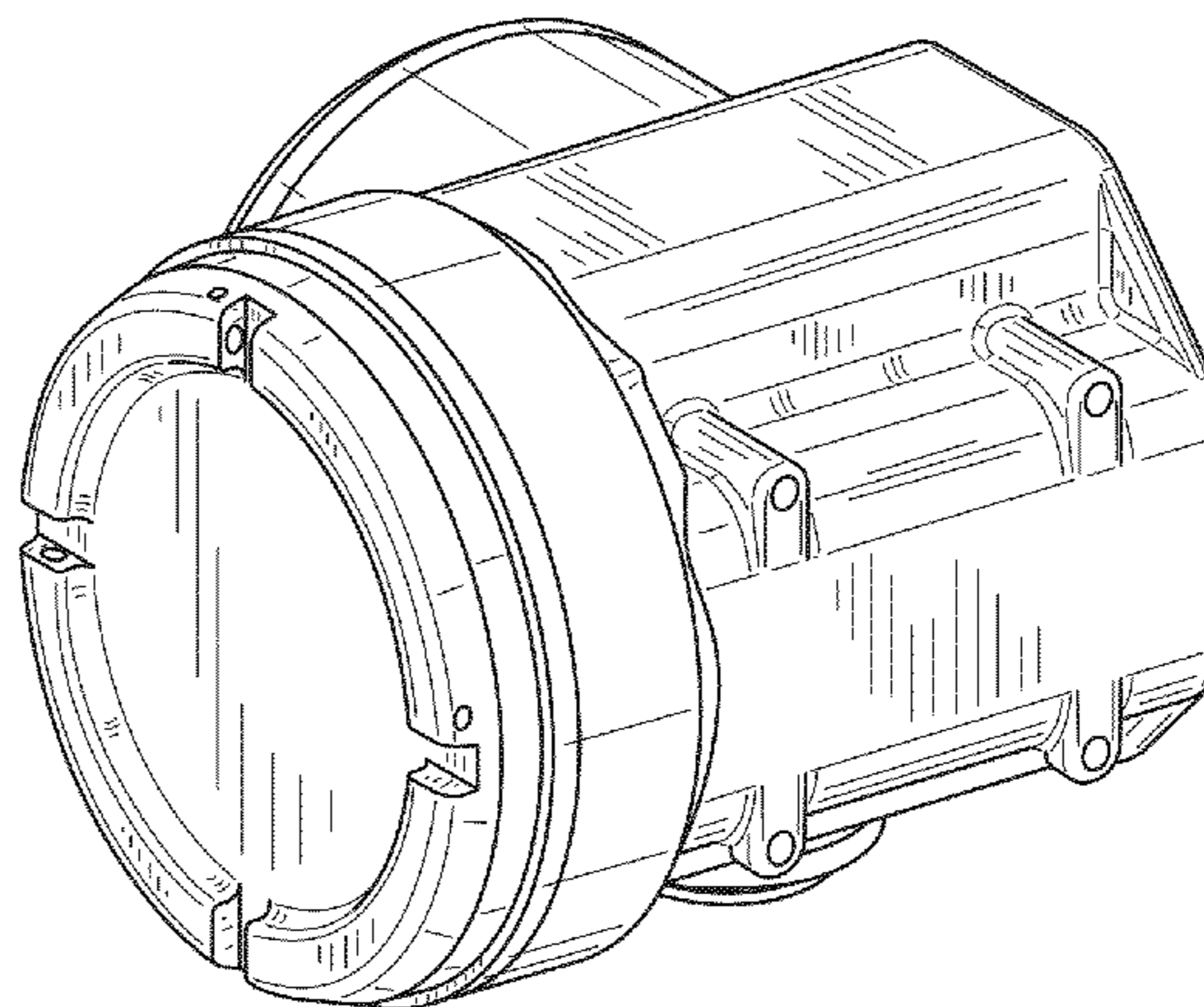
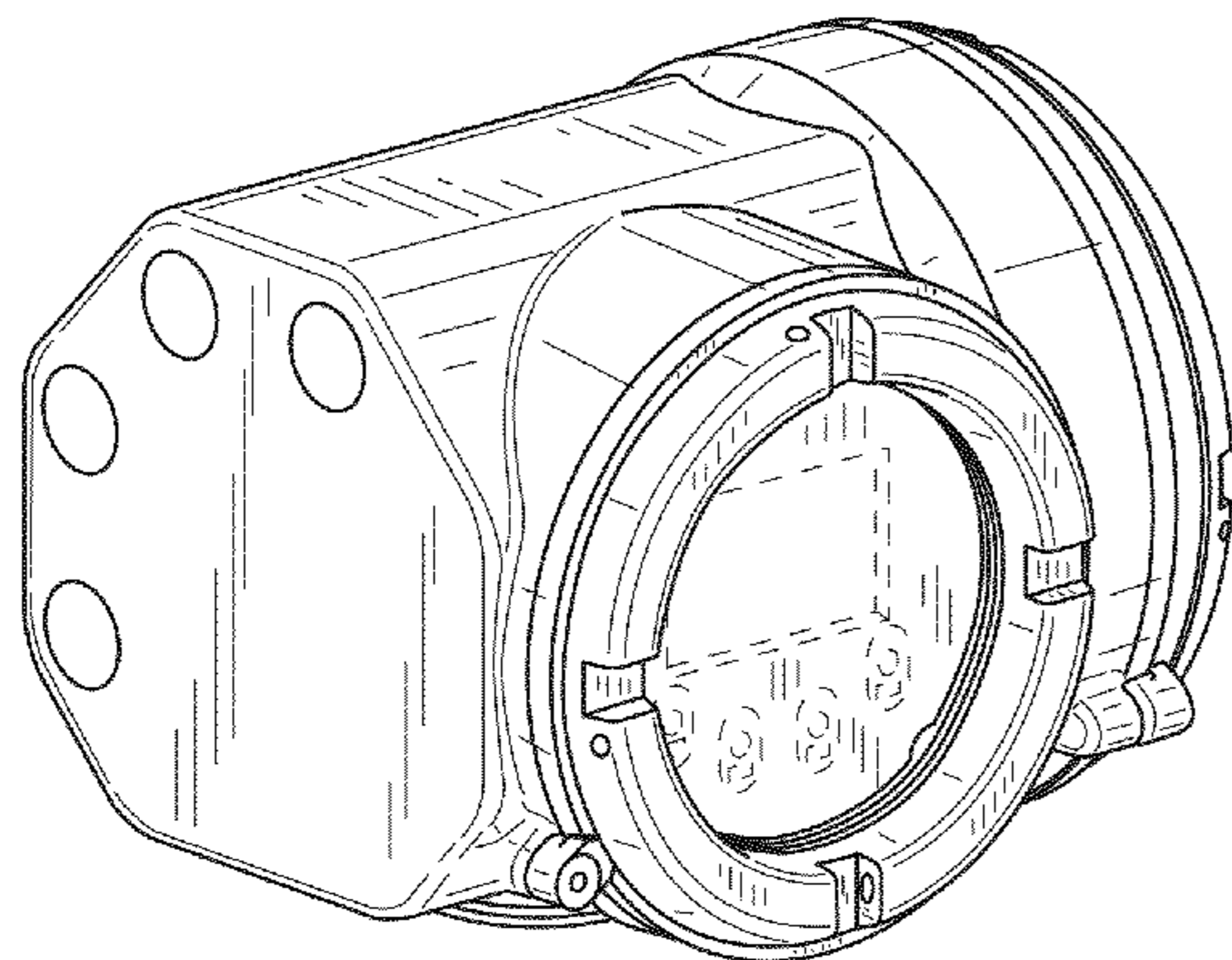
(57) **CLAIM**

The ornamental design for an electronic housing, as shown and described.

DESCRIPTION

FIG. 1 is a top, front and left side perspective view of an electronic housing showing our new design;
FIG. 2 is a top, rear and left side perspective view thereof;
FIG. 3 is a top, rear and right side perspective view thereof;
FIG. 4 is a top, front and right side perspective view thereof;
FIG. 5 is a front elevation view thereof;
FIG. 6 is a right side elevation view thereof;
FIG. 7 is a rear elevation view thereof;
FIG. 8 is a left side elevation view thereof; and
FIG. 9 is a top plan view thereof; and,
FIG. 10 is a bottom plan view thereof.

1 Claim, 5 Drawing Sheets



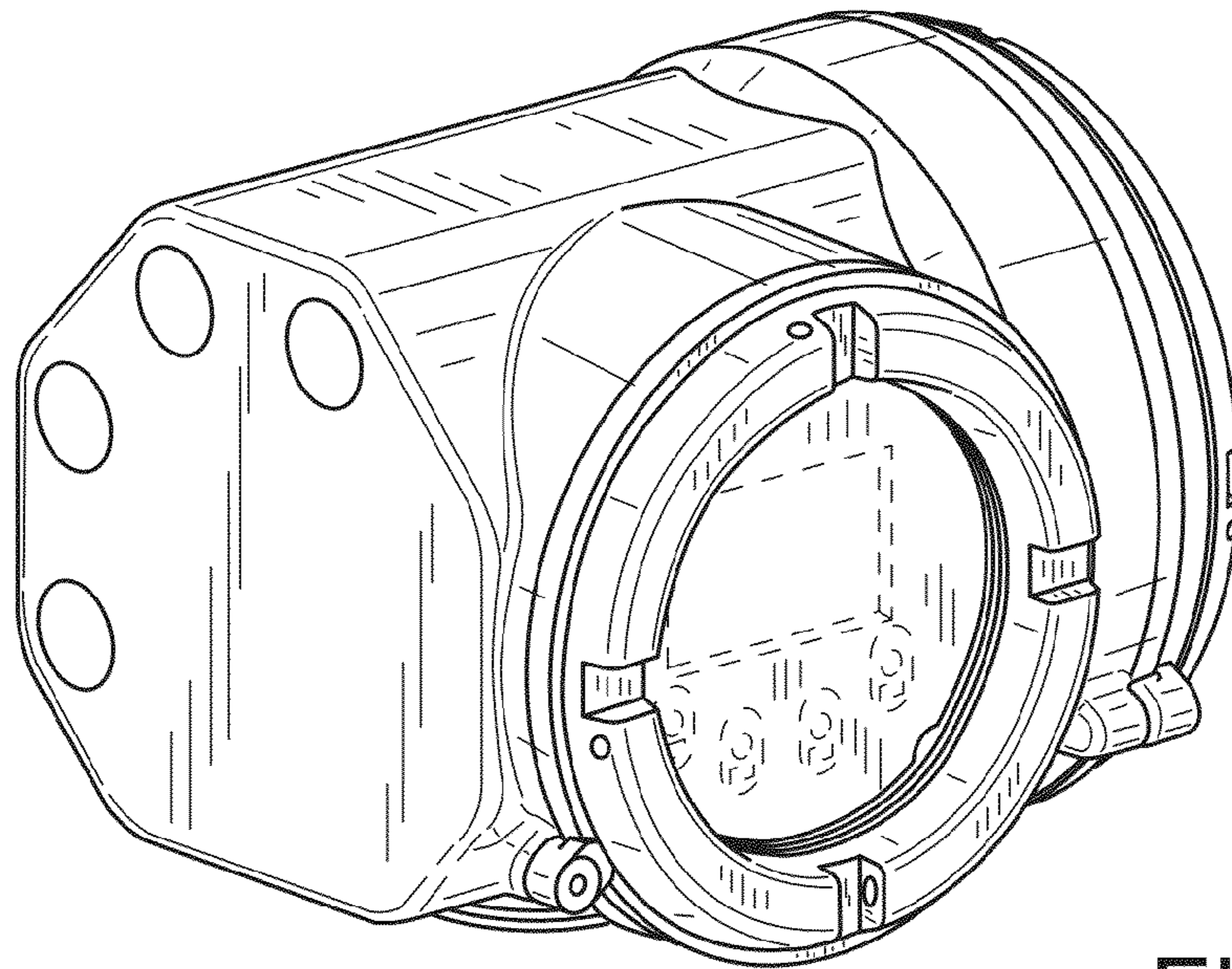


FIG. 1

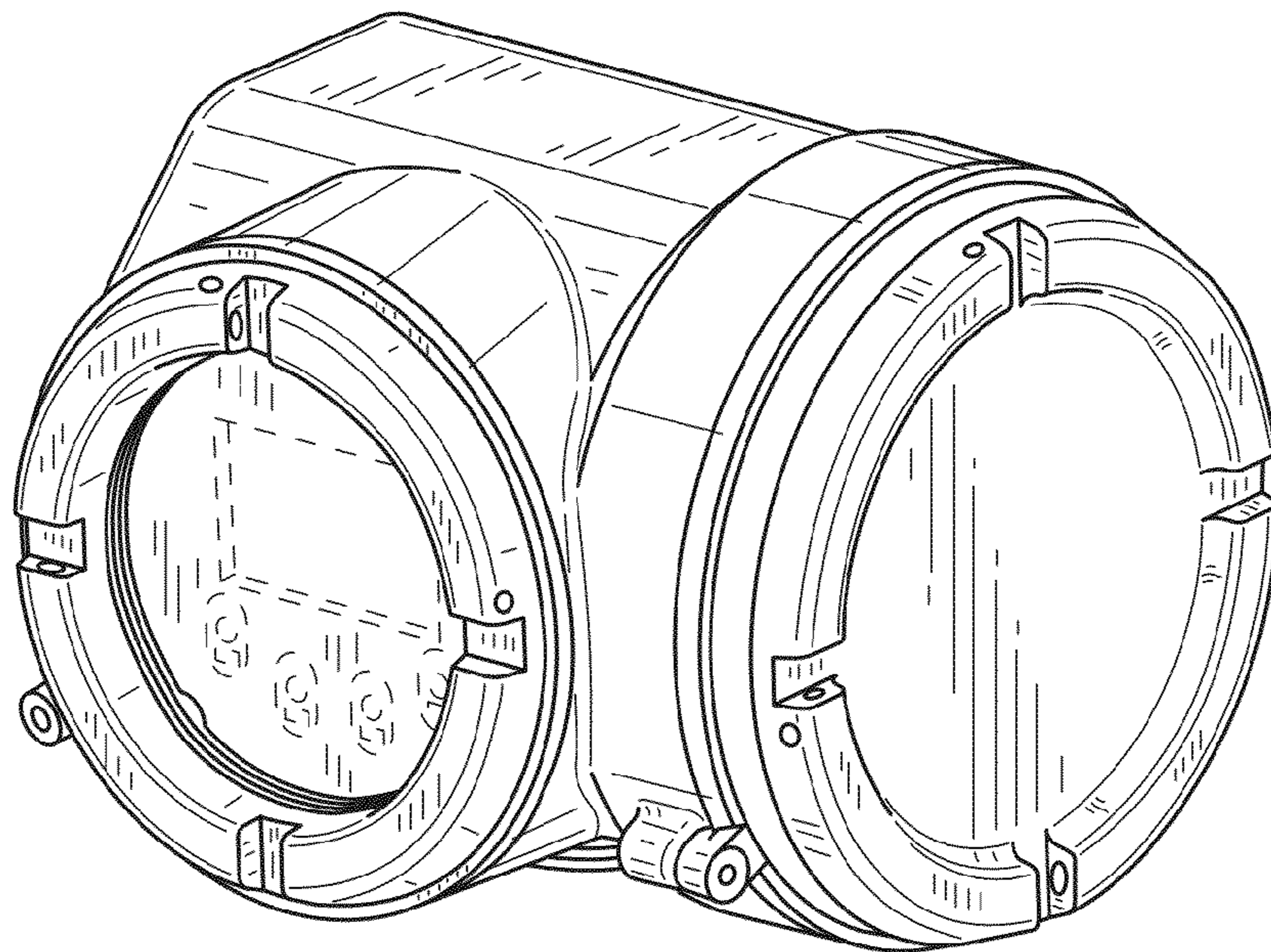


FIG. 2

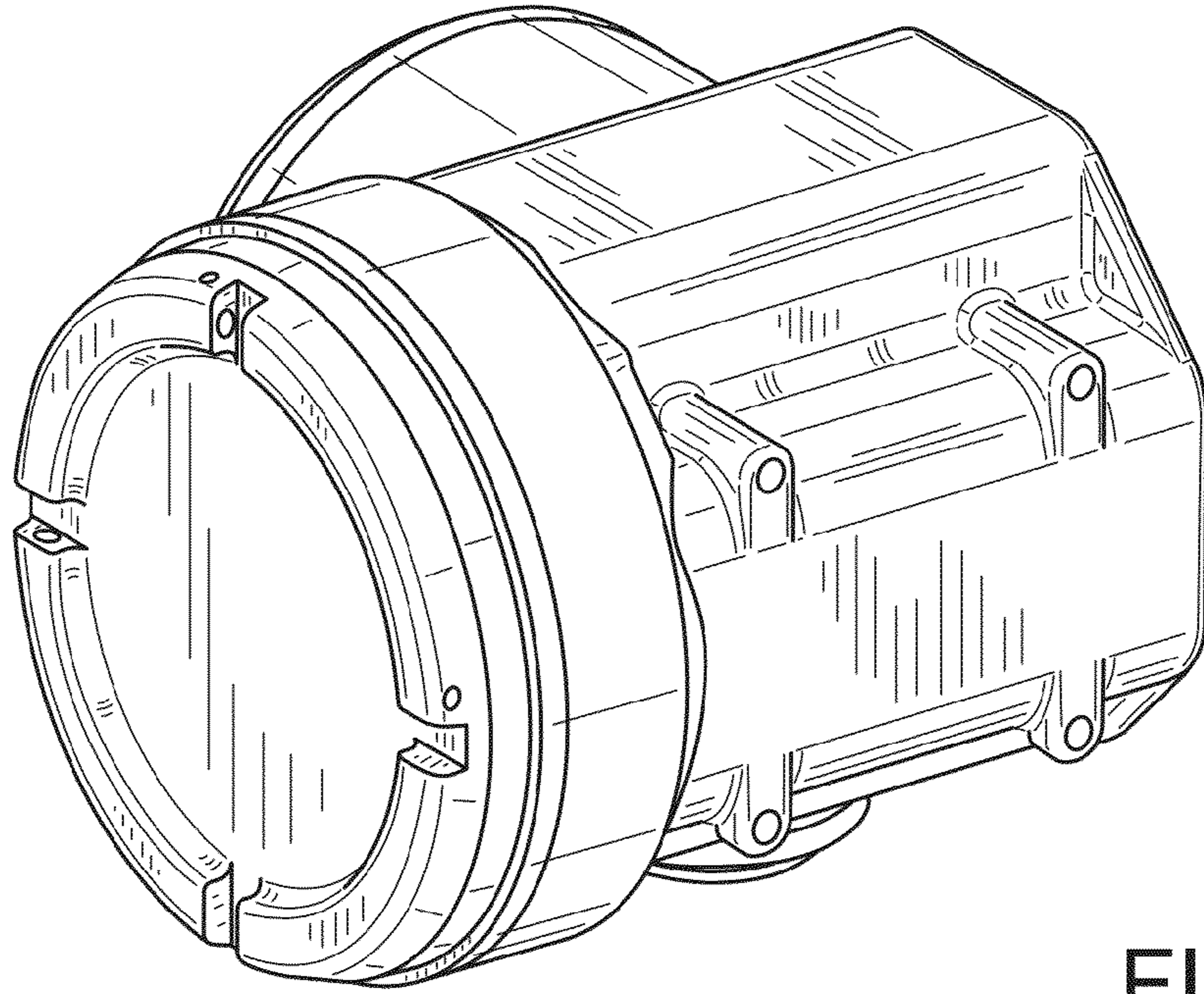


FIG.3

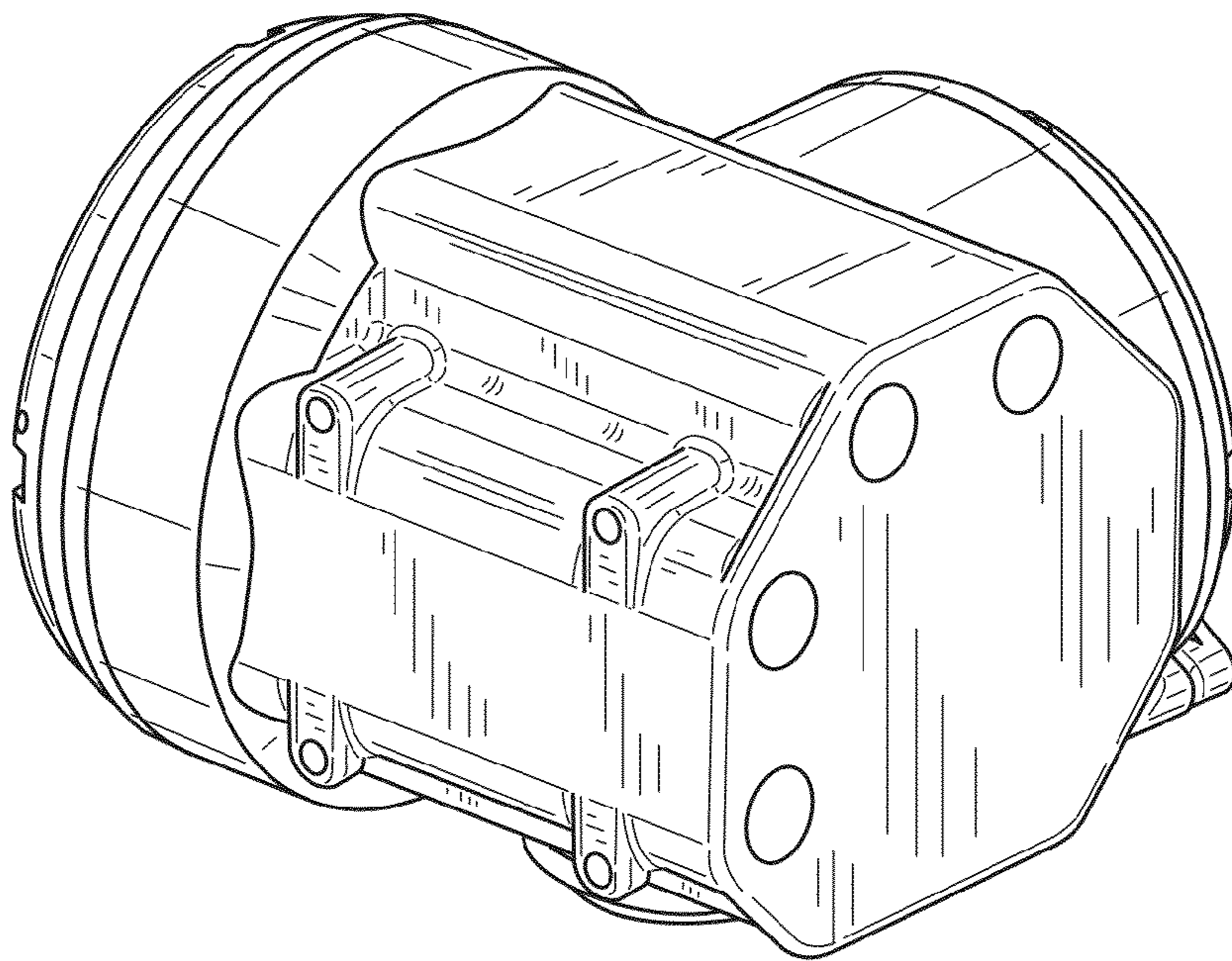


FIG.4

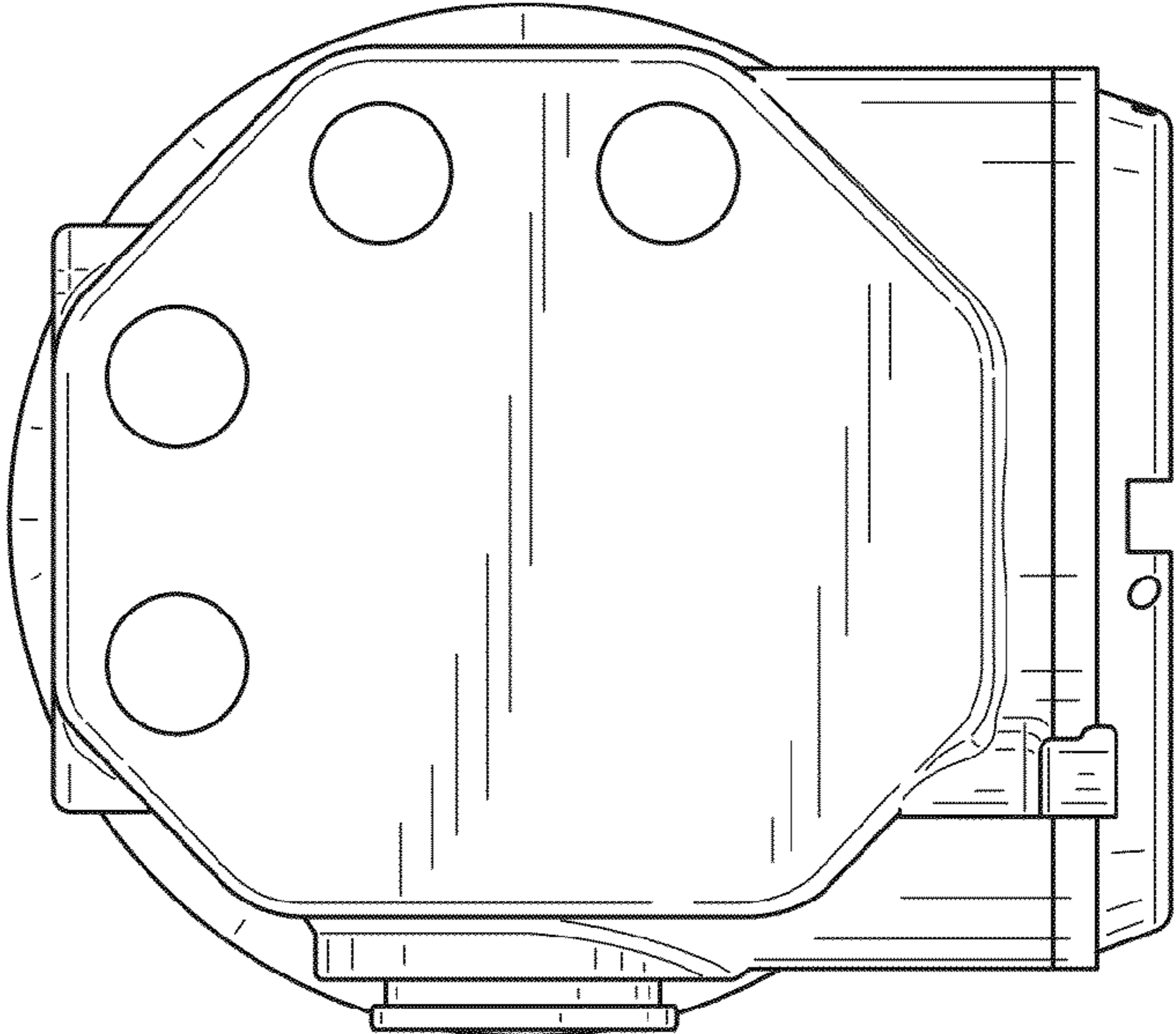


FIG.5

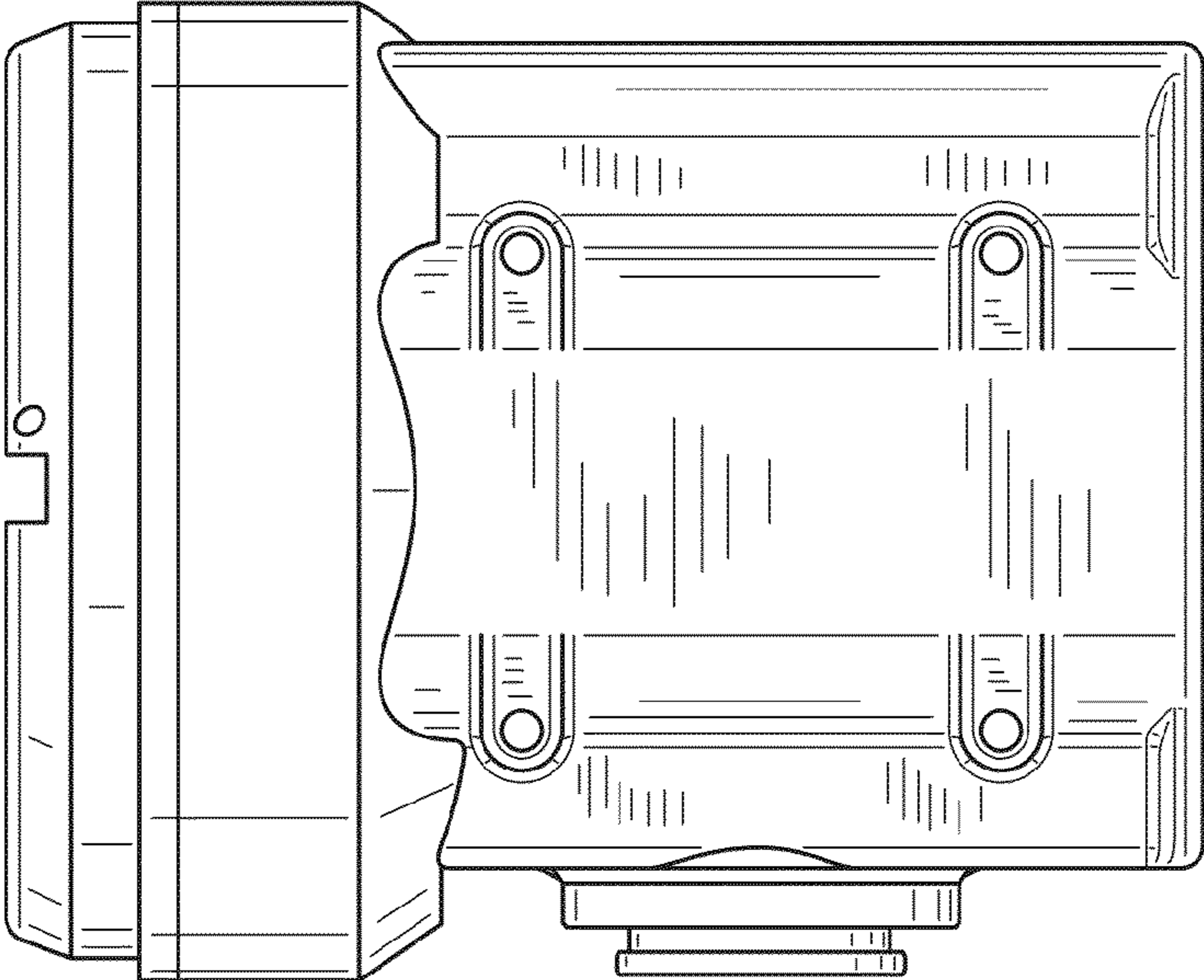


FIG.6

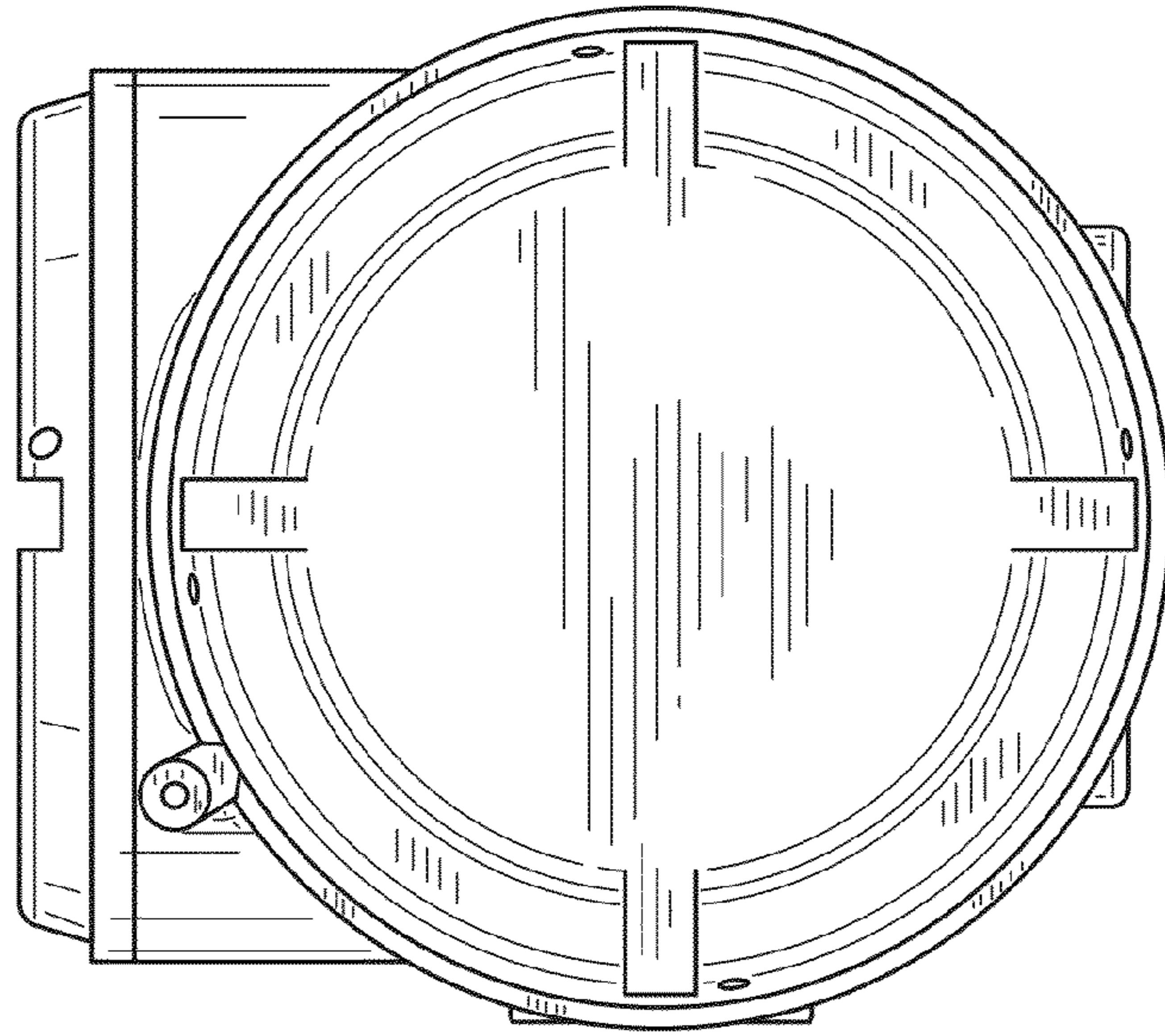


FIG. 7

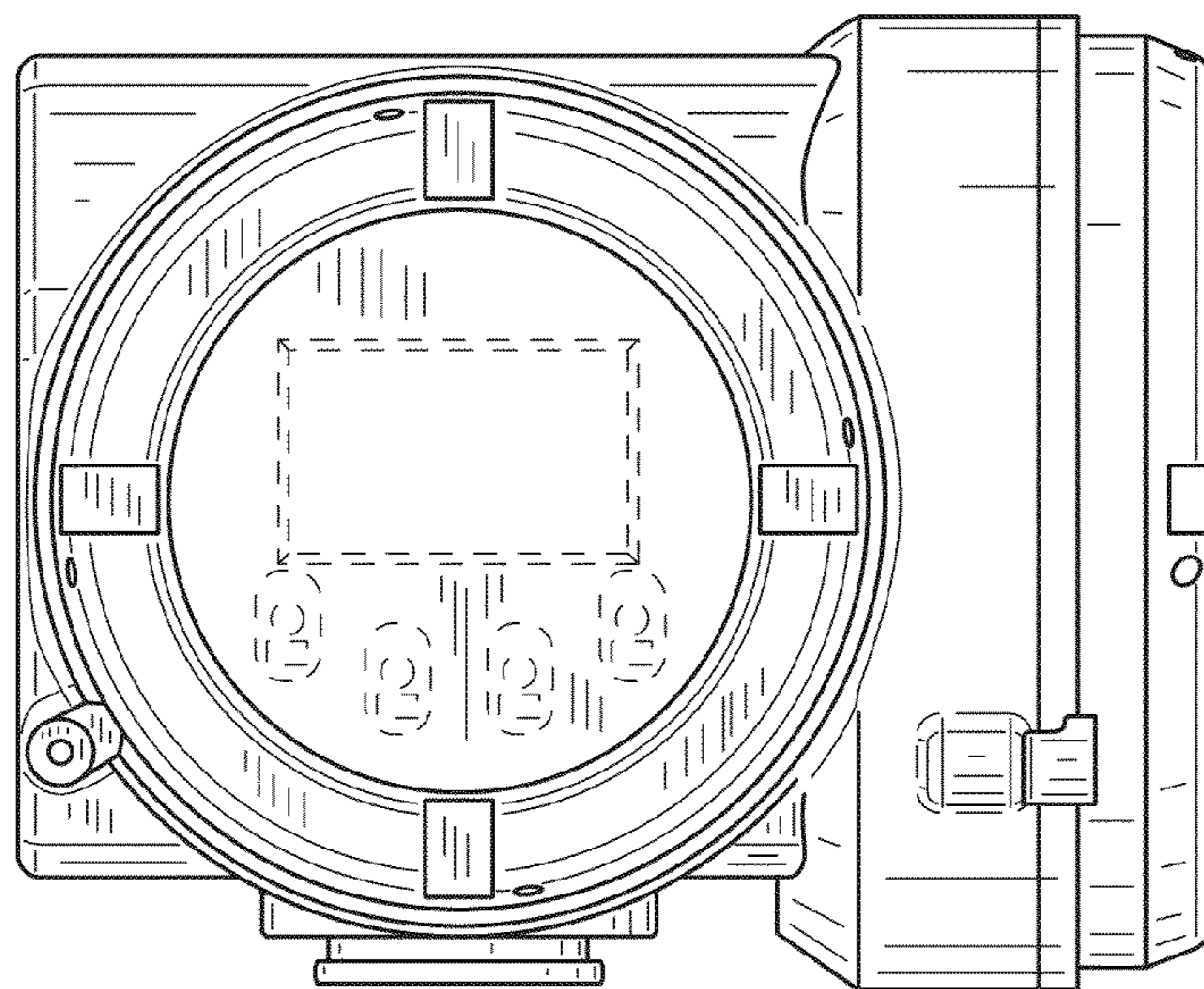


FIG. 8

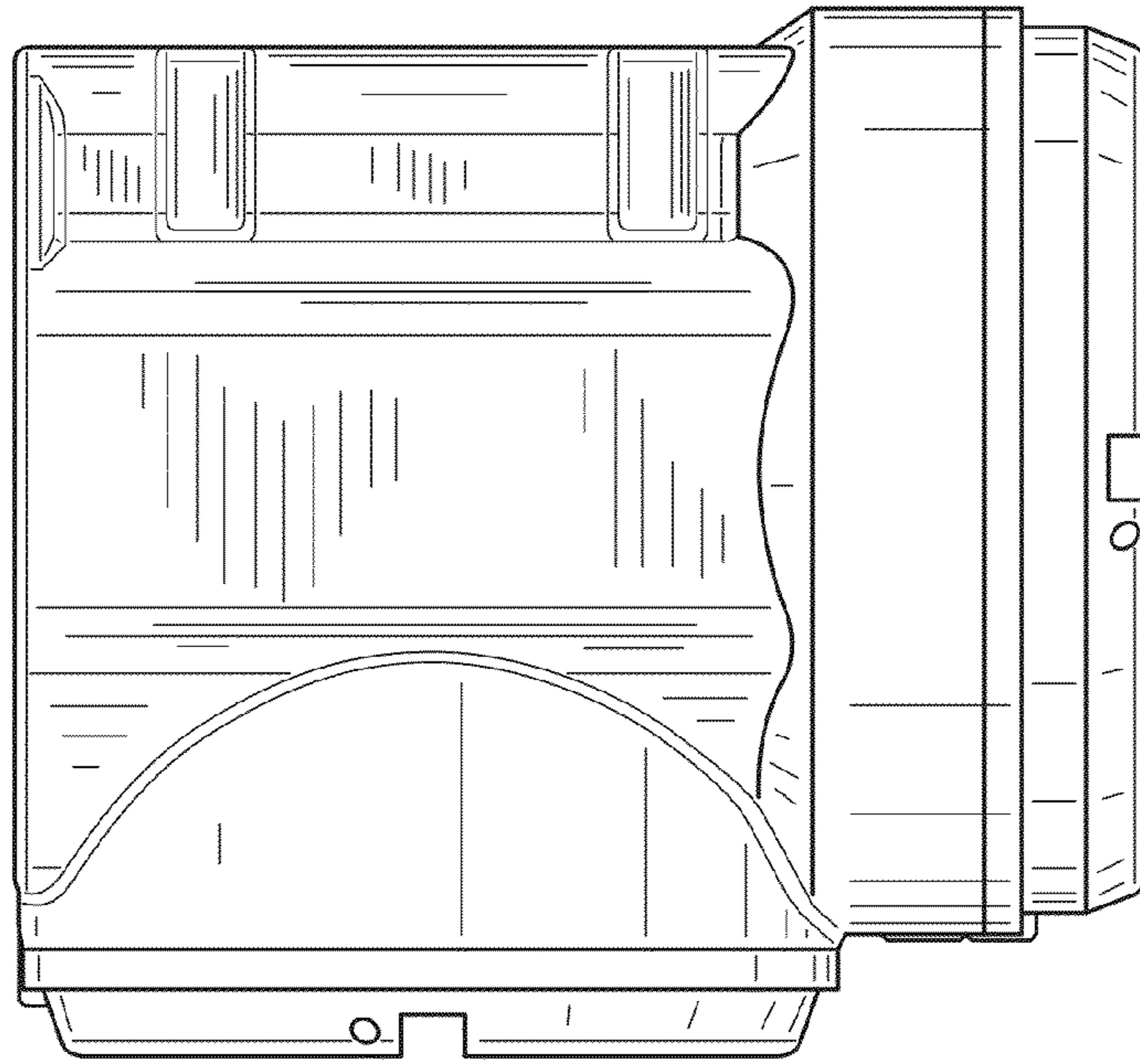


FIG. 9

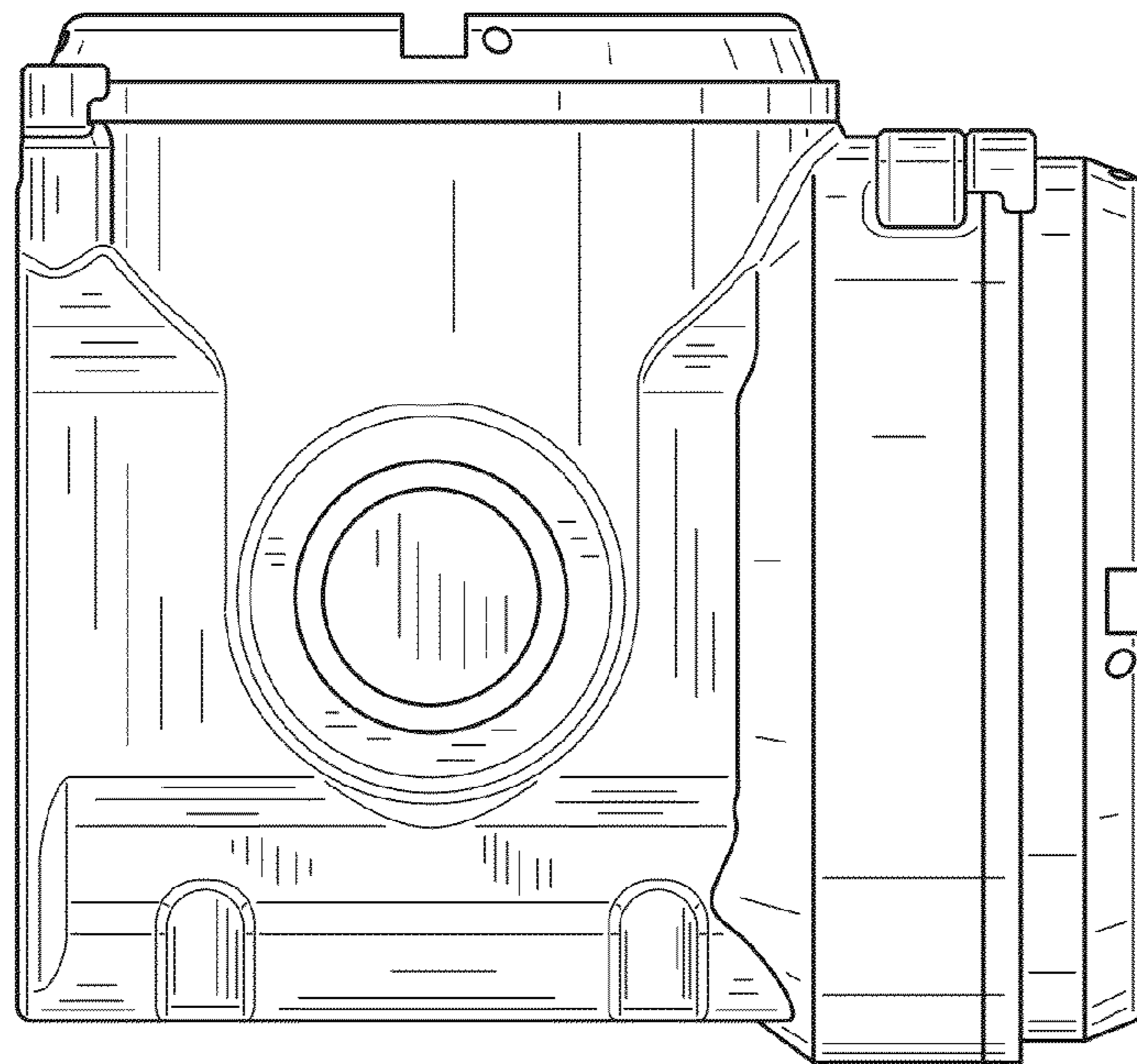


FIG. 10