



US00D758313S

(12) **United States Design Patent**
Lin

(10) **Patent No.:** **US D758,313 S**
(45) **Date of Patent:** **** Jun. 7, 2016**

- (54) **MULTI-DIRECTION SOCKET**
- (71) Applicant: **Chia-Hua Lin**, New Taipei (TW)
- (72) Inventor: **Chia-Hua Lin**, New Taipei (TW)
- (**) Term: **14 Years**
- (21) Appl. No.: **29/516,537**
- (22) Filed: **Feb. 3, 2015**
- (51) **LOC (10) Cl.** **13-03**
- (52) **U.S. Cl.**
USPC **D13/139.1**
- (58) **Field of Classification Search**
USPC D13/137.1-137.4, 139.1-139.8;
439/640, 173, 11, 214, 652; D10/40
CPC H01R 25/006; H01R 35/04; H01R 13/514;
H01R 13/6666; H01R 25/003; H04N 7/181
See application file for complete search history.

- D597,948 S * 8/2009 Bizzell D13/139.1
- D614,134 S * 4/2010 Chen D13/137.2
- D617,274 S * 6/2010 Caplan D13/137.2
- 7,824,185 B2 * 11/2010 Chien H04N 7/181
439/11
- 7,874,856 B1 * 1/2011 Schriefer H01R 13/514
439/214
- D633,045 S * 2/2011 Cullen D13/139.8
- D636,345 S * 4/2011 Cullen D13/137.4
- D651,174 S * 12/2011 Le Clair D13/137.2
- D651,977 S * 1/2012 Lee D13/139.1
- 8,118,616 B1 * 2/2012 Clark H01R 25/006
439/640
- D667,795 S * 9/2012 Zien D13/139.4
- D677,630 S * 3/2013 Zien D13/139.8
- D686,993 S * 7/2013 Millar-Sax D13/137.2
- D734,268 S * 7/2015 Parbatani D13/139.8
- D736,710 S * 8/2015 Lin D13/137.2
- 2006/0234561 A1 * 10/2006 Tanaka H01R 25/003
439/652

* cited by examiner

Primary Examiner — Holly Baynham

Assistant Examiner — Rhea Shields

(74) *Attorney, Agent, or Firm* — WPAT, P.C., Intellectual Property Attorneys; Anthony King

(56) **References Cited**

U.S. PATENT DOCUMENTS

- 5,292,257 A * 3/1994 Milan H01R 13/6666
439/214
- D381,315 S * 7/1997 Harold D13/139.4
- D401,220 S * 11/1998 Dwight D13/139.6
- D416,860 S * 11/1999 Seiwert D13/137.4
- D420,602 S * 2/2000 Lamar D10/40
- D443,250 S * 6/2001 Lee D13/139.8
- D445,091 S * 7/2001 Tong D13/139.8
- D445,403 S * 7/2001 Veino D13/139.8
- D507,237 S * 7/2005 Gregory D13/139.8
- D533,836 S * 12/2006 Young D13/137.1
- D535,257 S * 1/2007 Byrne D13/139.4
- D547,726 S * 7/2007 Ng D13/139.8
- D549,656 S * 8/2007 Hsiao D13/139.8
- D549,657 S * 8/2007 Ng D13/139.8
- 7,264,514 B2 * 9/2007 Hsu H01R 35/04
439/173
- D554,064 S * 10/2007 Ng D13/139.8
- D556,689 S * 12/2007 Lee D13/139.1
- D562,240 S * 2/2008 Lee D13/137.2
- D574,328 S * 8/2008 Chen D13/139.6
- D587,654 S * 3/2009 Leen D13/139.2

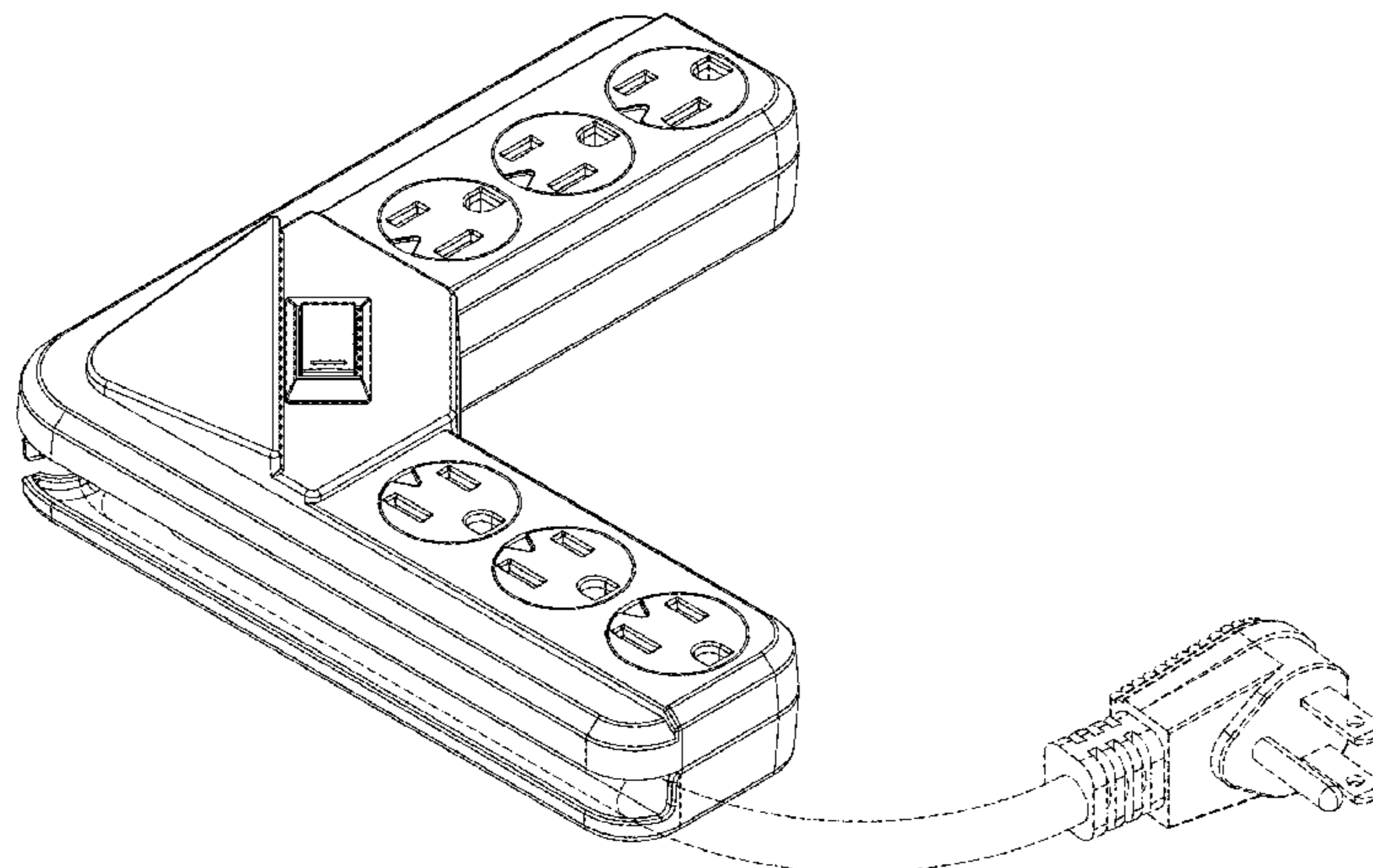
(57) **CLAIM**

The ornamental design for a multi-direction socket, as shown and described.

DESCRIPTION

FIG. 1 is a perspective view of a multi-direction socket showing my new design;
 FIG. 2 is a front elevation view thereof;
 FIG. 3 is a rear elevation view thereof;
 FIG. 4 is a left side elevation view thereof;
 FIG. 5 is a right side elevation view thereof;
 FIG. 6 is a top plan view thereof; and,
 FIG. 7 is a bottom plan view thereof.
 In the drawings, the broken lines are for the purpose of illustrating environment only and form no part of the claimed design.

1 Claim, 7 Drawing Sheets



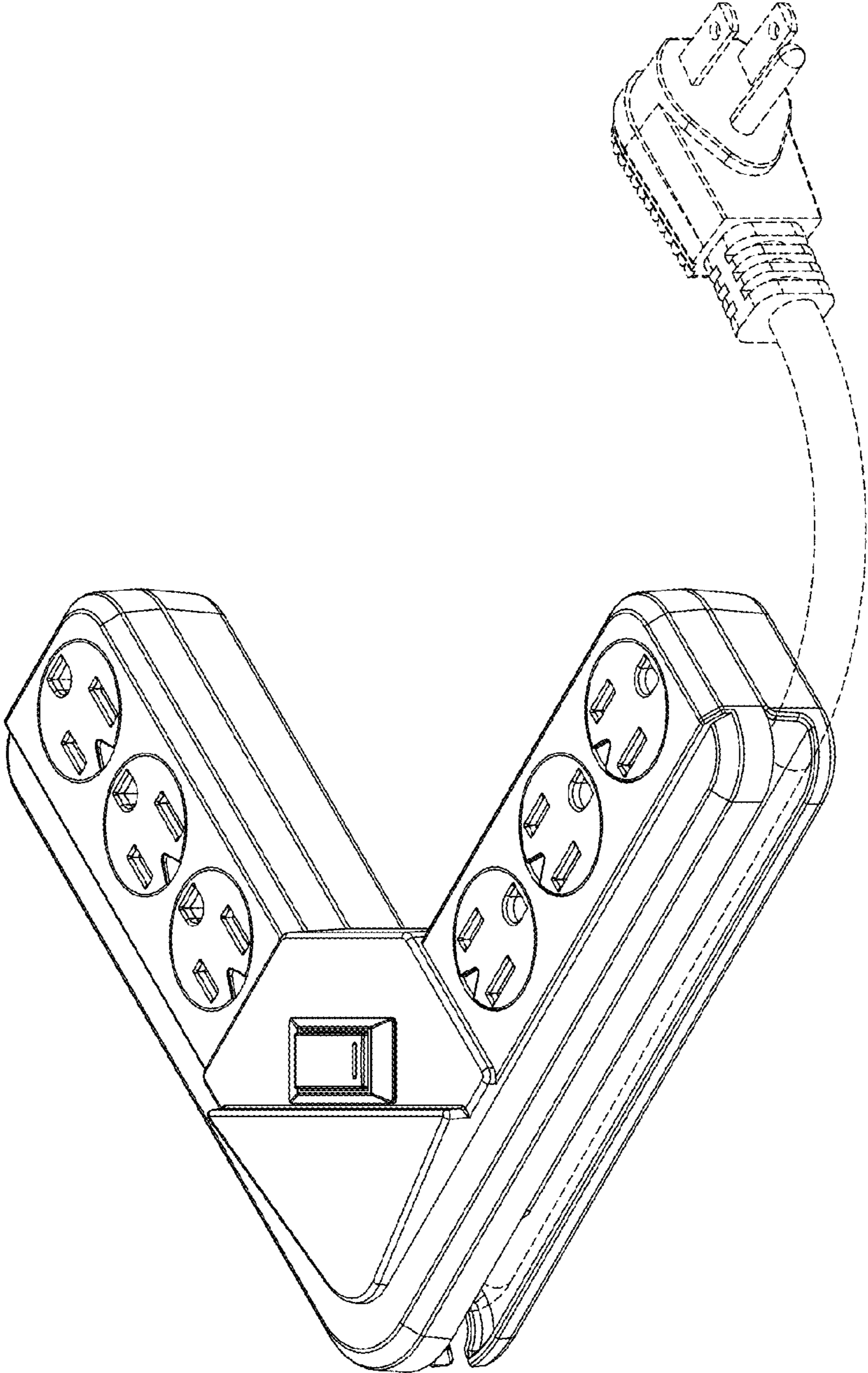


FIG. 1

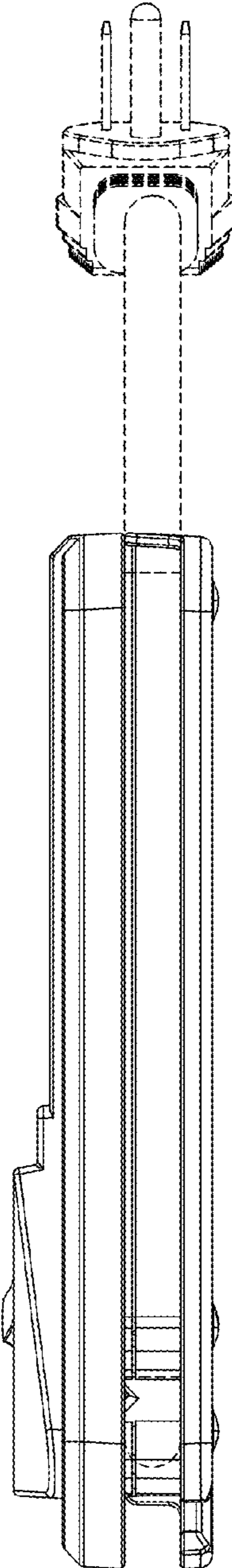


FIG. 2

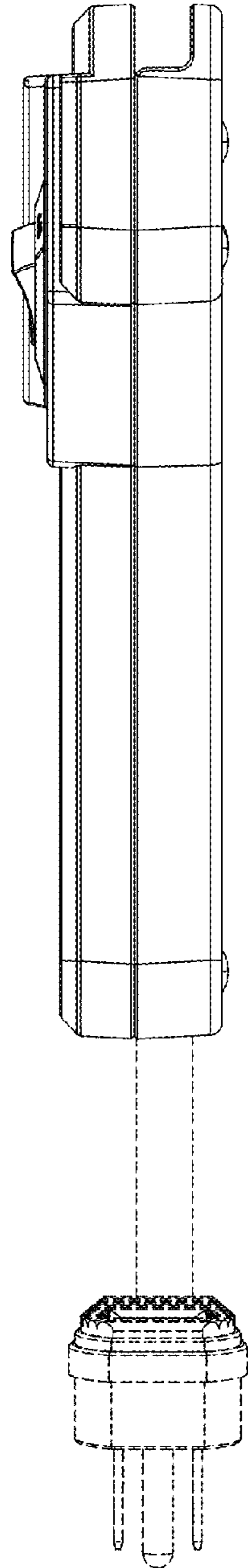


FIG. 3

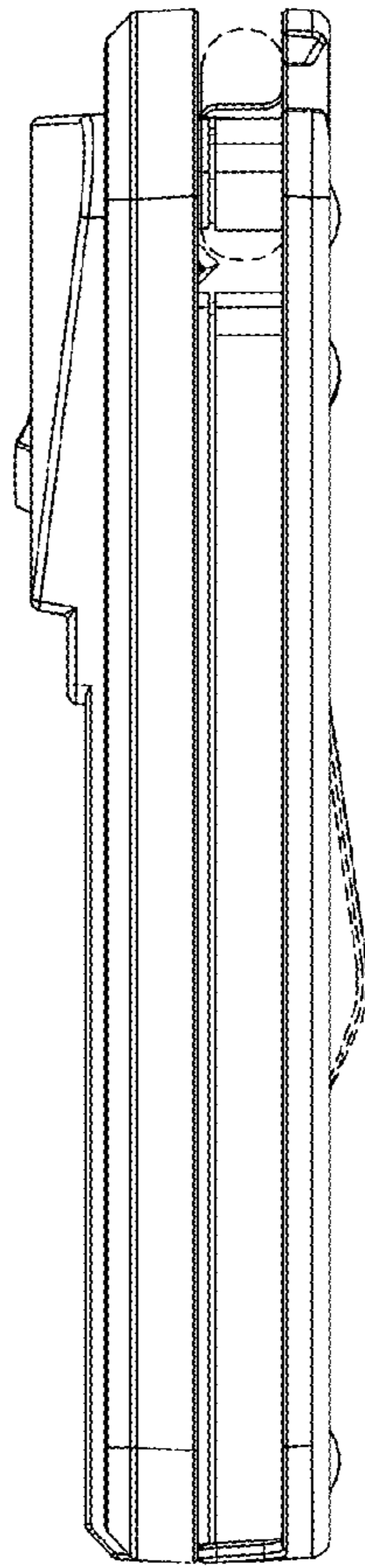


FIG. 4

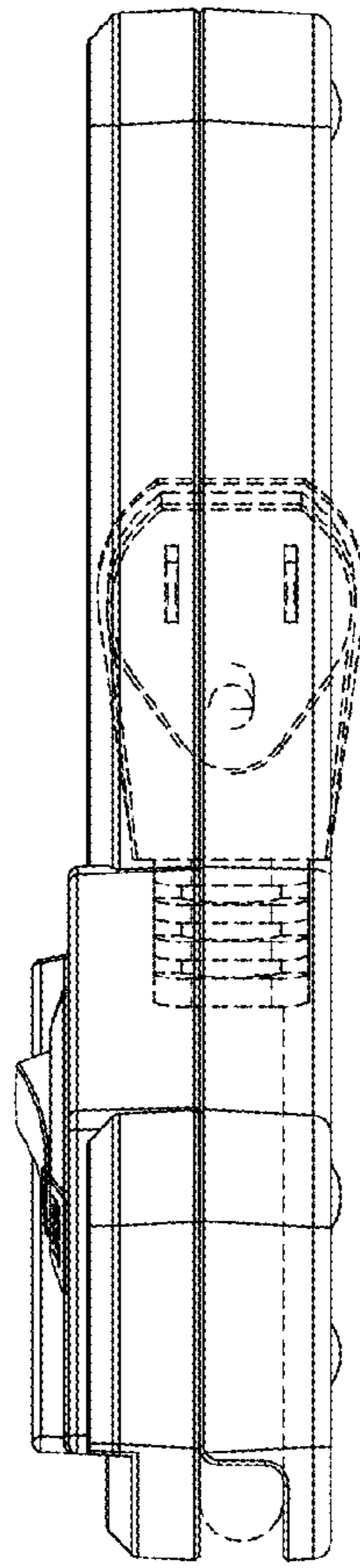


FIG. 5

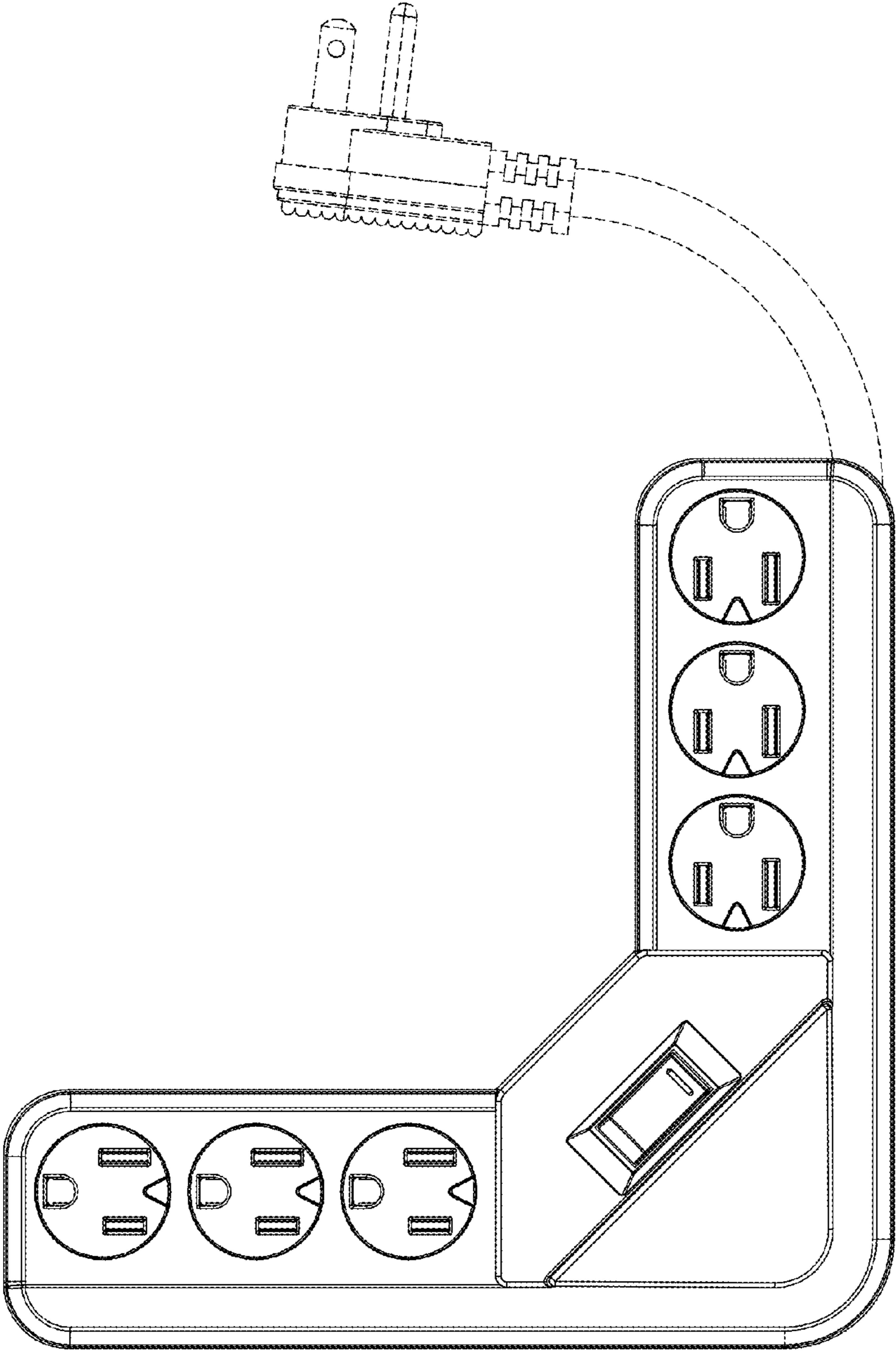


FIG. 6

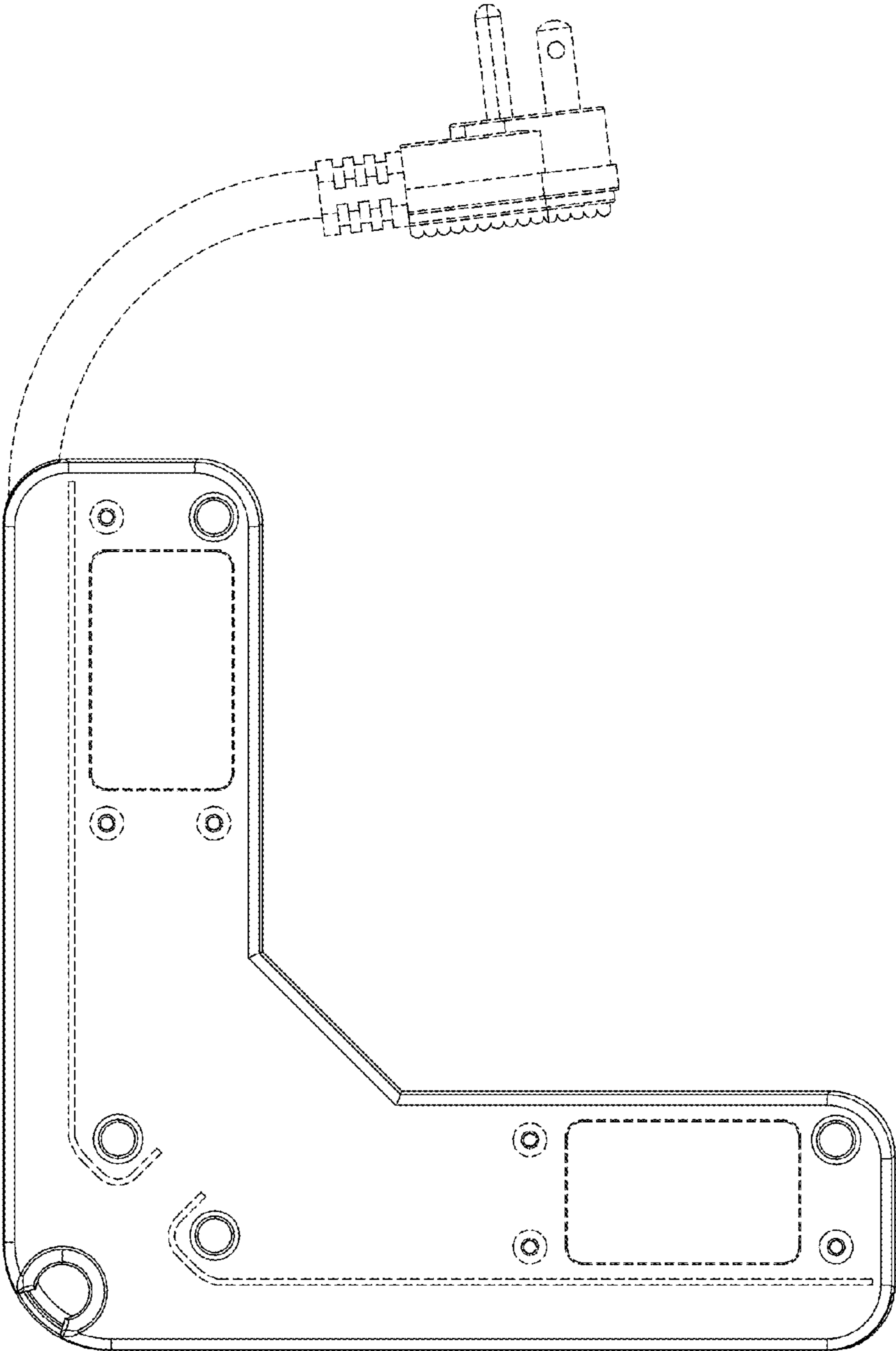


FIG. 7