



US00D758312S

(12) **United States Design Patent**
Lin

(10) **Patent No.:** **US D758,312 S**
(45) **Date of Patent:** **** Jun. 7, 2016**

(54) **MULTI-DIRECTION SOCKET**
(71) Applicant: **Chia-Hua Lin**, New Taipei (TW)
(72) Inventor: **Chia-Hua Lin**, New Taipei (TW)
(**) Term: **14 Years**
(21) Appl. No.: **29/515,298**
(22) Filed: **Jan. 21, 2015**
(51) **LOC (10) Cl.** **13-03**
(52) **U.S. Cl.**
USPC **D13/137.2**
(58) **Field of Classification Search**
USPC D13/137.1, 137.2, 138.1, 138.2, 139.1,
D13/108, 139.3, 110, 199, 152, 160, 146;
439/108, 131; D10/40
CPC H01R 25/00; H01R 31/06
See application file for complete search history.

D665,354 S * 8/2012 Chen D13/138.1
D670,248 S * 11/2012 Chen D13/138.2
D682,220 S * 5/2013 Lee D13/152
D701,836 S * 4/2014 Byrne D13/139.1
D705,733 S * 5/2014 Zaslavsky D13/137.2
D706,220 S * 6/2014 Zaslavsky D13/137.2
D707,626 S * 6/2014 Atkinson D13/110
D714,720 S * 10/2014 Liu D13/110
D718,714 S * 12/2014 Si D13/110
D721,037 S * 1/2015 Kelly D13/137.1
D726,653 S * 4/2015 Kourtis D13/137.1
D729,639 S * 5/2015 Lin D10/40
D735,669 S * 8/2015 Kelly D13/138.1
D741,267 S * 10/2015 Byrne D13/139.1

* cited by examiner

Primary Examiner — Holly Baynham
Assistant Examiner — Rhea Shields
(74) *Attorney, Agent, or Firm* — WPAT, P.C., Intellectual
Property Attorneys; Anthony King

(56) **References Cited**

U.S. PATENT DOCUMENTS

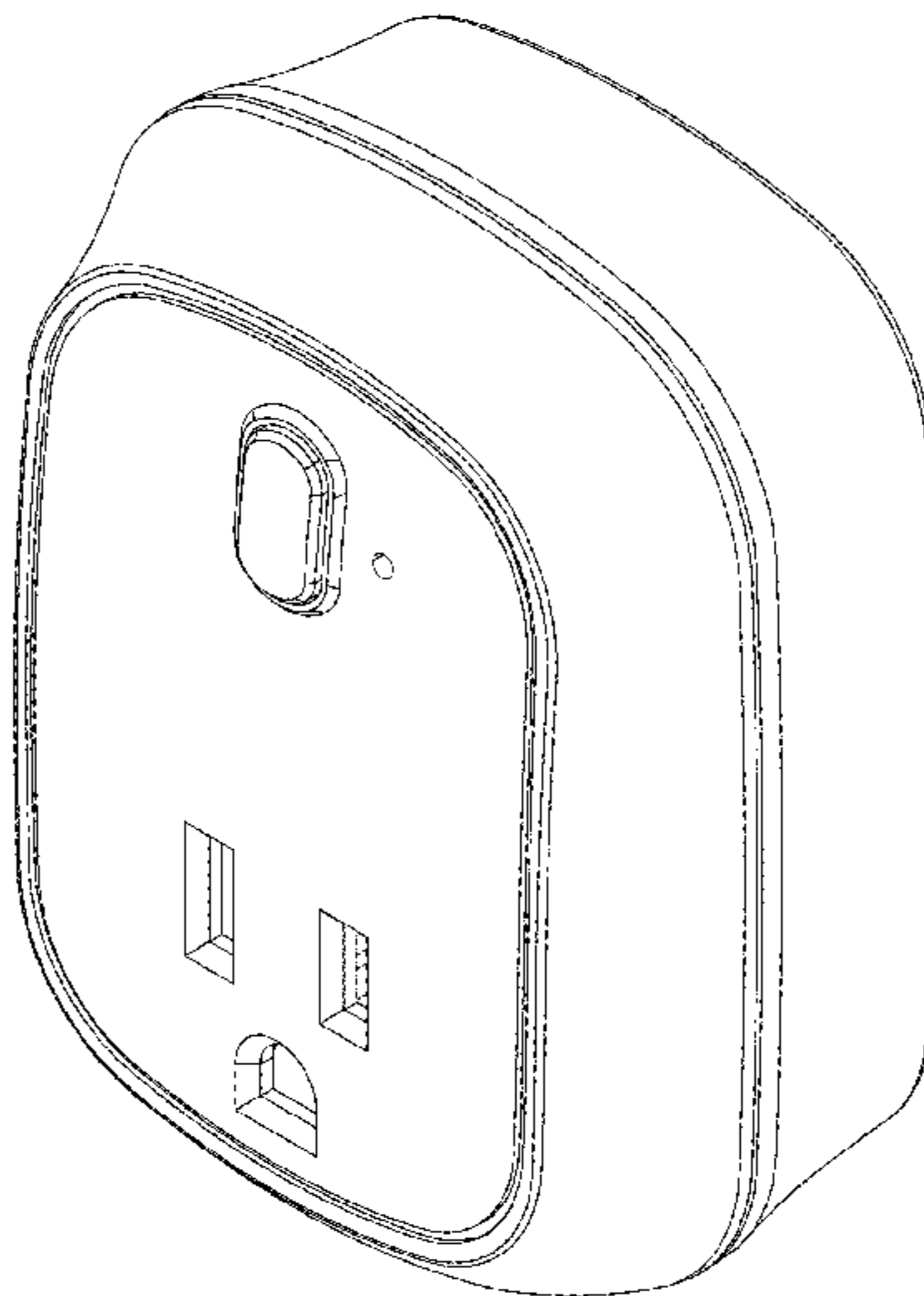
D292,700 S * 11/1987 Rauch D13/137.1
D376,129 S * 12/1996 Muller D13/137.1
D382,854 S * 8/1997 Muller D13/137.2
D432,990 S * 10/2000 Stekelenburg D13/137.3
D436,345 S * 1/2001 Lentine D13/137.2
D462,056 S * 8/2002 Chung D13/137.1
D463,366 S * 9/2002 MacKay D13/138.1
D475,015 S * 5/2003 Shimojo D13/137.1
7,220,136 B1 * 5/2007 Green H01R 25/00
439/106
D564,964 S * 3/2008 Caine D13/137.1
D576,552 S * 9/2008 Caine D13/137.2
7,445,513 B1 * 11/2008 Lee H01R 31/06
439/131
D620,889 S * 8/2010 Smith D13/108
D621,781 S * 8/2010 Chang D13/137.2
D627,729 S * 11/2010 Smith D13/108
D636,336 S * 4/2011 Clark D13/137.2
D643,367 S * 8/2011 Castleberry D13/110

(57) **CLAIM**
The ornamental design for a multi-direction socket, as shown
and described.

DESCRIPTION

FIG. 1 is a perspective view of a multi-direction socket show-
ing my new design;
FIG. 2 is a front elevation view thereof;
FIG. 3 is a rear elevation view thereof;
FIG. 4 is a left side elevation view thereof;
FIG. 5 is a right side elevation view thereof;
FIG. 6 is a top plan view thereof; and,
FIG. 7 is a bottom plan view thereof.
Broken lines shown in the drawings illustrate portions of the
multi-direction socket and form no part of the claimed design.
In the drawings, the broken lines are for the purpose of illus-
trating environment only and form no part of the claimed
design.

1 Claim, 7 Drawing Sheets



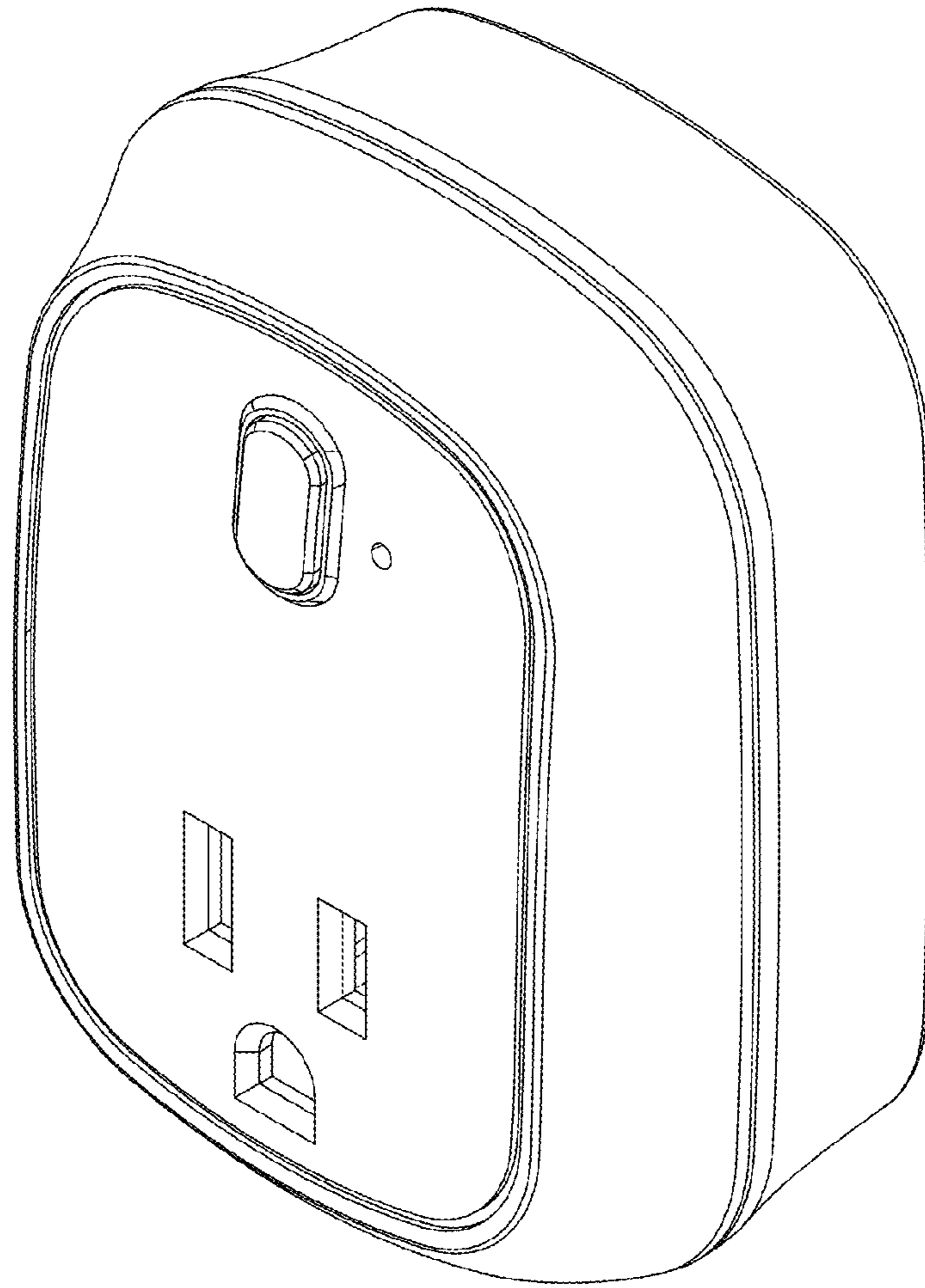


FIG. 1

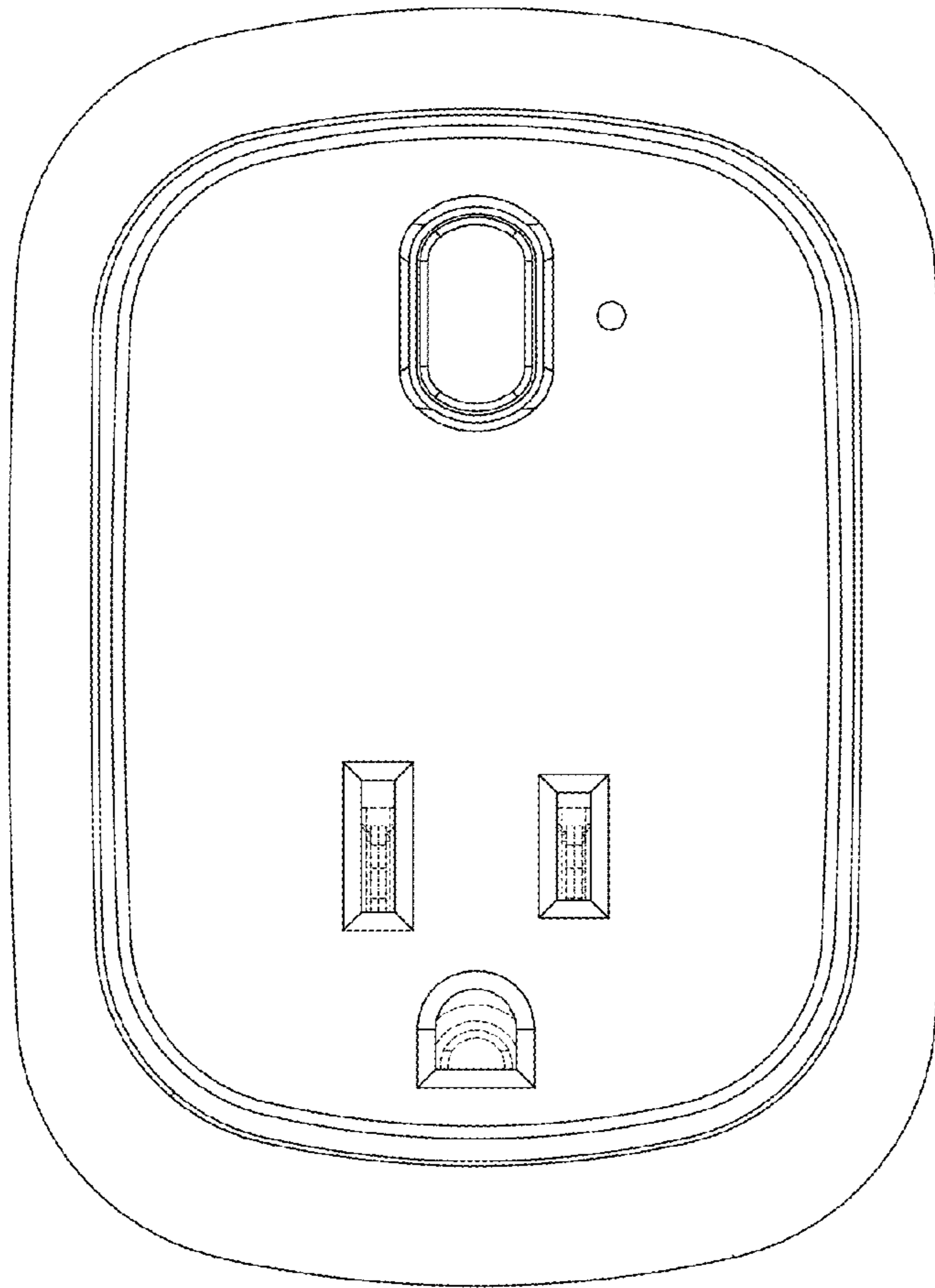


FIG. 2

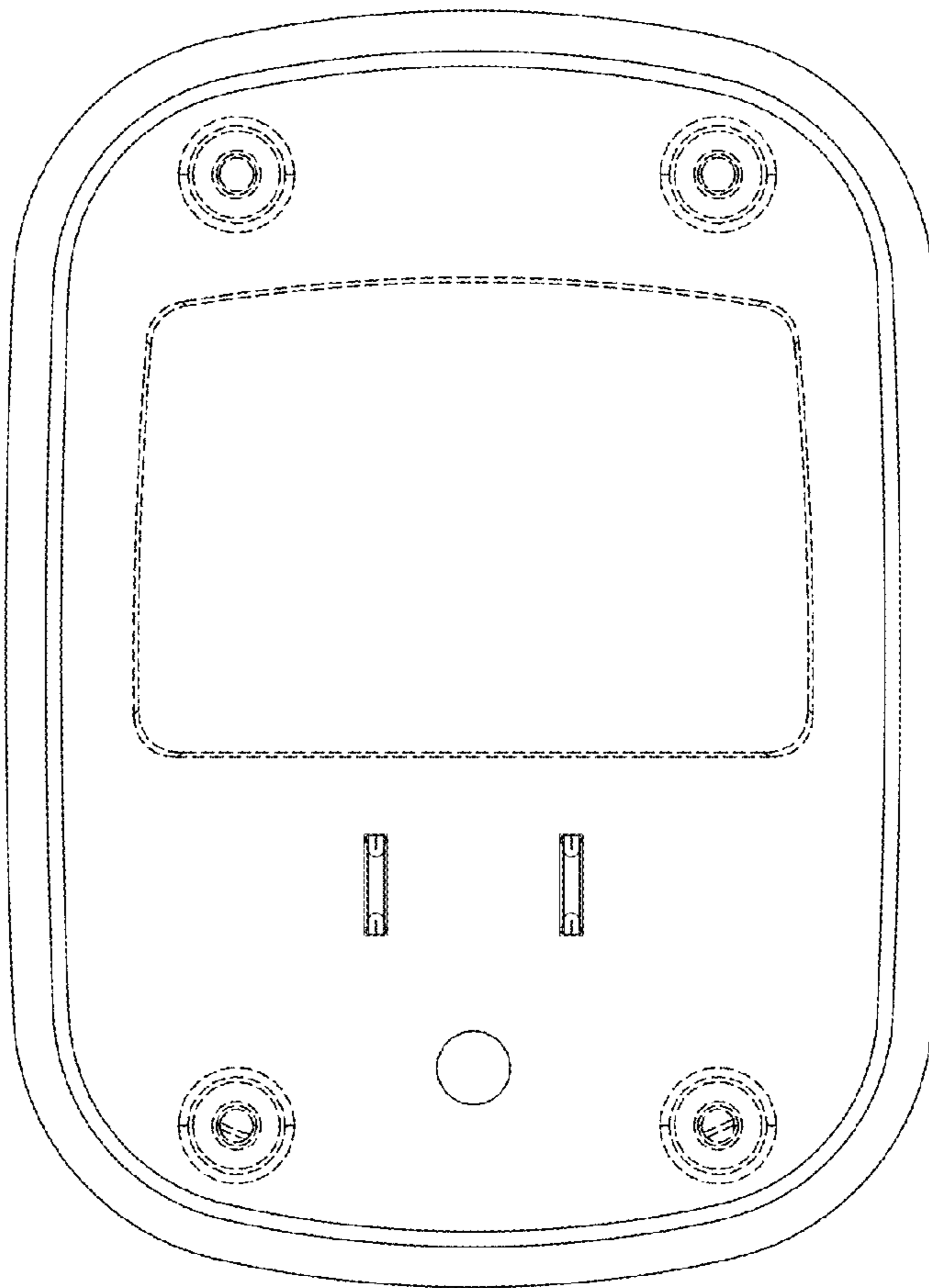


FIG. 3

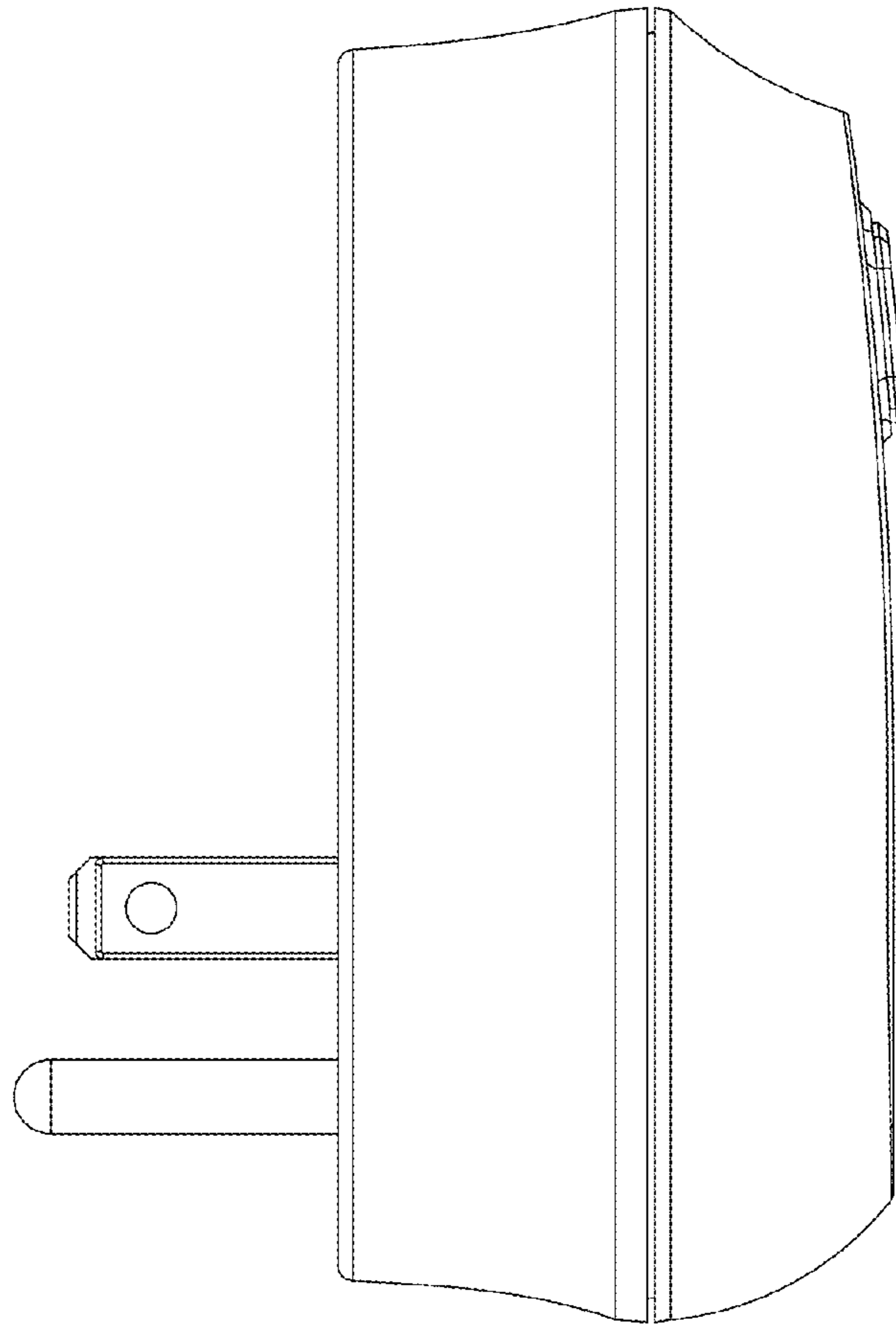


FIG. 4

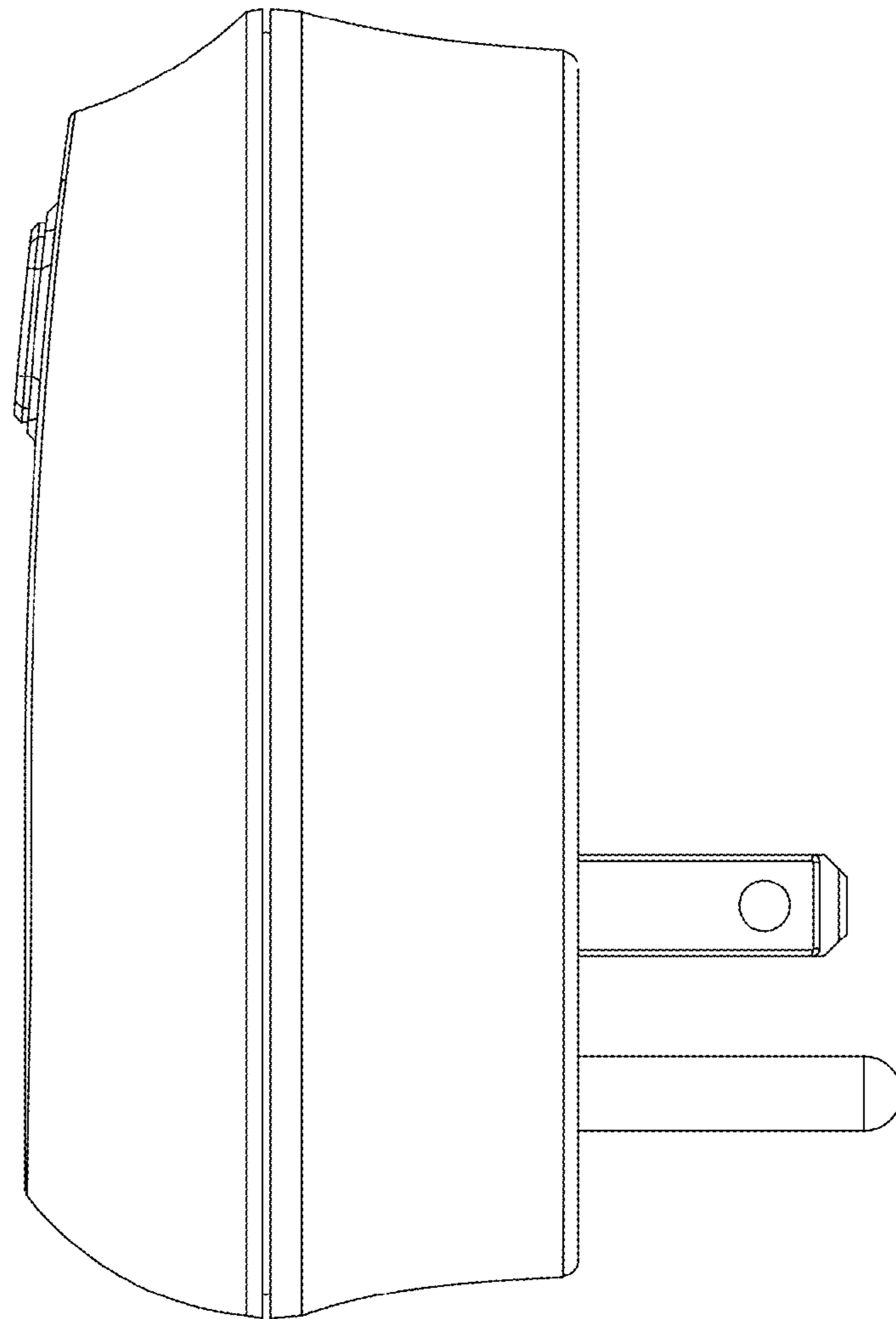


FIG. 5

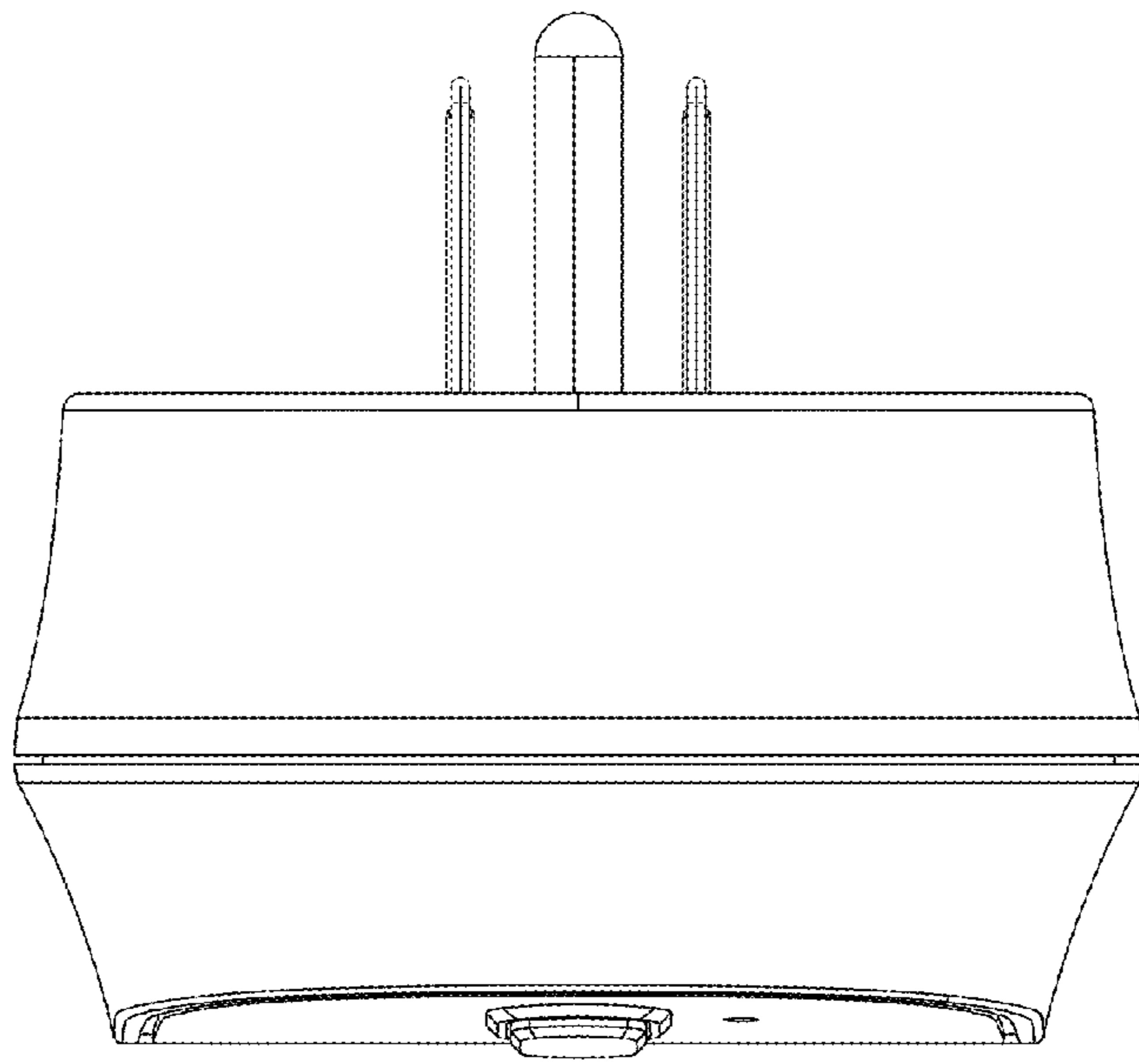


FIG. 6

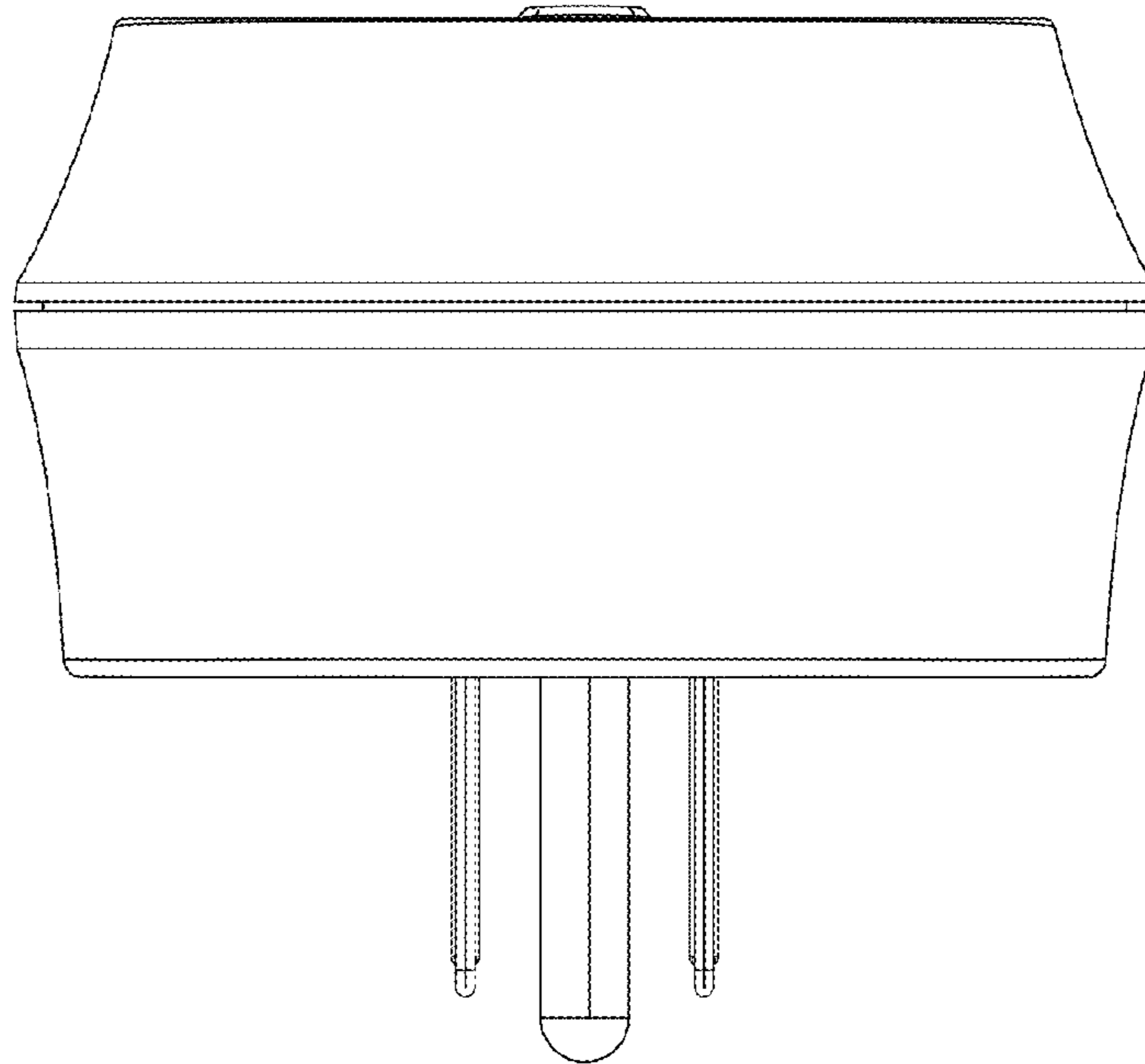


FIG. 7