



US00D758309S

(12) **United States Design Patent**  
**Terada et al.**

(10) **Patent No.:** **US D758,309 S**  
(45) **Date of Patent:** **\*\* Jun. 7, 2016**

(54) **ELECTRIC GENERATOR INCORPORATING EXHAUST HEAT RECOVERY DEVICE**

(71) Applicant: **YANMAR CO., LTD.**, Osaka-shi, Osaka (JP)

(72) Inventors: **Ruriko Terada**, Osaka (JP); **Tatsuya Kawano**, Osaka (JP); **Akihiro Nagao**, Osaka (JP)

(73) Assignee: **YANMAR CO., LTD.**, Osaka-Shi (JP)

(\*\*) Term: **14 Years**

(21) Appl. No.: **29/500,782**

(22) Filed: **Aug. 28, 2014**

(30) **Foreign Application Priority Data**

Mar. 25, 2014 (JP) ..... 2014-006265  
Mar. 25, 2014 (JP) ..... 2014-006266

(51) **LOC (10) Cl.** ..... **13-01**

(52) **U.S. Cl.**  
USPC ..... **D13/112**

(58) **Field of Classification Search**  
USPC ..... D13/112, 113, 114, 115, 116, 117, 118, D13/122, 199; D23/351, 395; 123/2, 3; 290/1 A, 1 B, 1 R; 361/600, 601, 622, 361/688, 702, 703, 730, 809; 180/53.1; 322/16, 39  
CPC ..... F02B 63/04; F02B 63/044; F02B 63/047; F02D 29/06; Y02E 20/14  
See application file for complete search history.

(56) **References Cited**

**U.S. PATENT DOCUMENTS**

4,470,271 A \* 9/1984 Draper et al. .... 62/259.1  
D414,461 S \* 9/1999 Wang ..... D13/116

(Continued)

**FOREIGN PATENT DOCUMENTS**

JP 1155281 S 10/2002  
JP 1155282 S 10/2002

(Continued)

*Primary Examiner* — Derrick Holland  
*Assistant Examiner* — Jennifer O King  
(74) *Attorney, Agent, or Firm* — Brinks Gilson & Lione

(57) **CLAIM**  
We claim the ornamental design for an electric generator incorporating exhaust heat recovery device, as shown and described.

**DESCRIPTION**

FIG. 1 is a front perspective view of a first embodiment of an electric generator incorporating exhaust heat recovery device of the present invention;  
FIG. 2 is a rear perspective view thereof;  
FIG. 3 is a front view thereof;  
FIG. 4 is a rear view thereof;  
FIG. 5 is a top view thereof;  
FIG. 6 is a bottom view thereof;  
FIG. 7 is a first side view thereof;  
FIG. 8 is a second side view thereof;  
FIG. 9 is an enlarged view of the section denoted by line 9-9 of FIG. 1;  
FIG. 10 is an enlarged view of the section denoted by line 10-10 of FIG. 2;  
FIG. 11 is a front perspective view of a second embodiment of an electric generator incorporating exhaust heat recovery device of the present invention;  
FIG. 12 is a rear perspective view thereof;  
FIG. 13 is a front view thereof;  
FIG. 14 is a rear view thereof;  
FIG. 15 is a top view thereof;  
FIG. 16 is a bottom view thereof;  
FIG. 17 is a first side view thereof;  
FIG. 18 is a second side view thereof;  
FIG. 19 is an enlarged view of the section denoted by line 19-19 of FIG. 11; and,  
FIG. 20 is an enlarged view of the section denoted by line 20-20 of FIG. 12.  
The broken lines shown represent unclaimed subject matter and form no part of the claimed design.

**1 Claim, 20 Drawing Sheets**

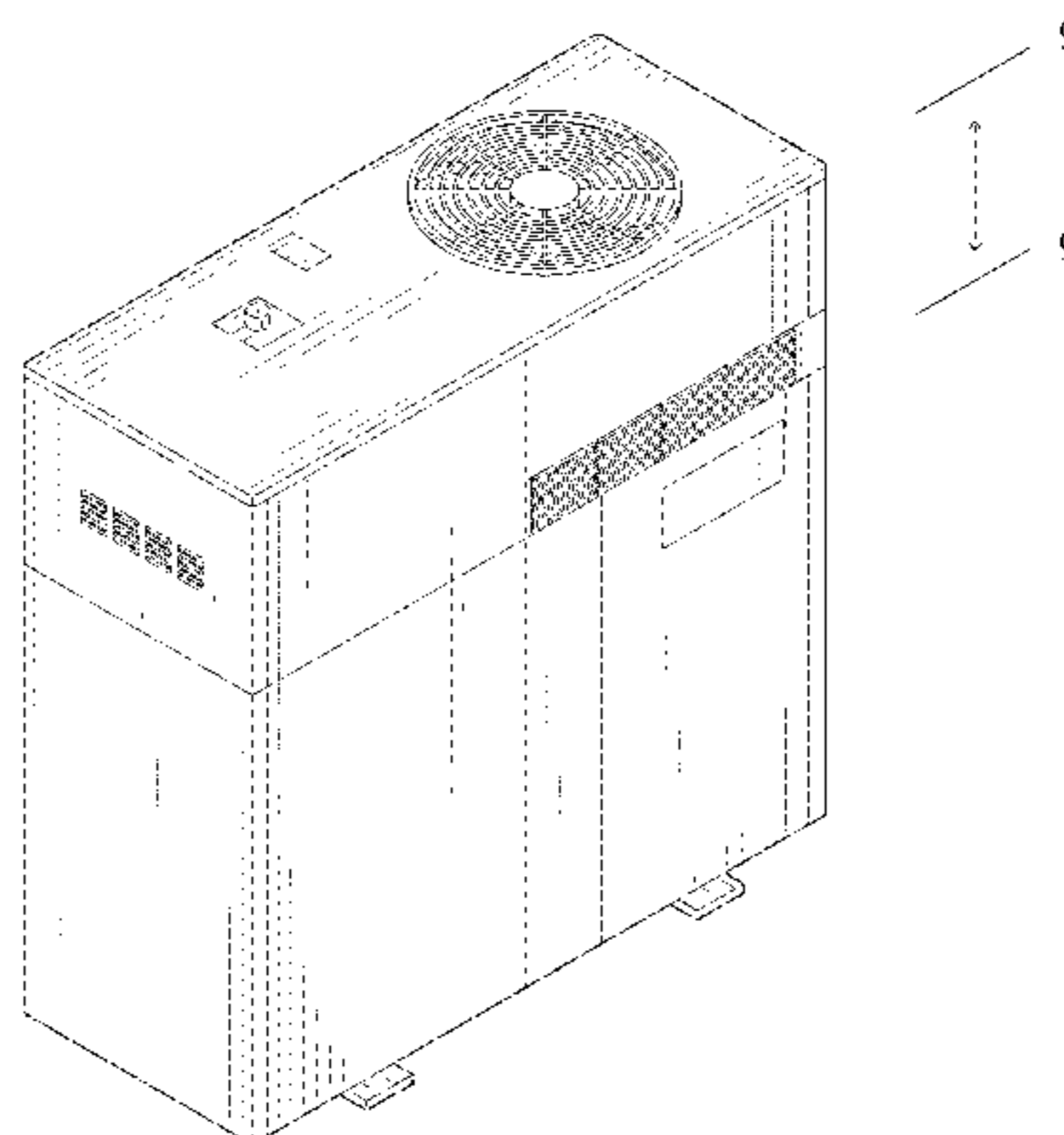




FIG. 1

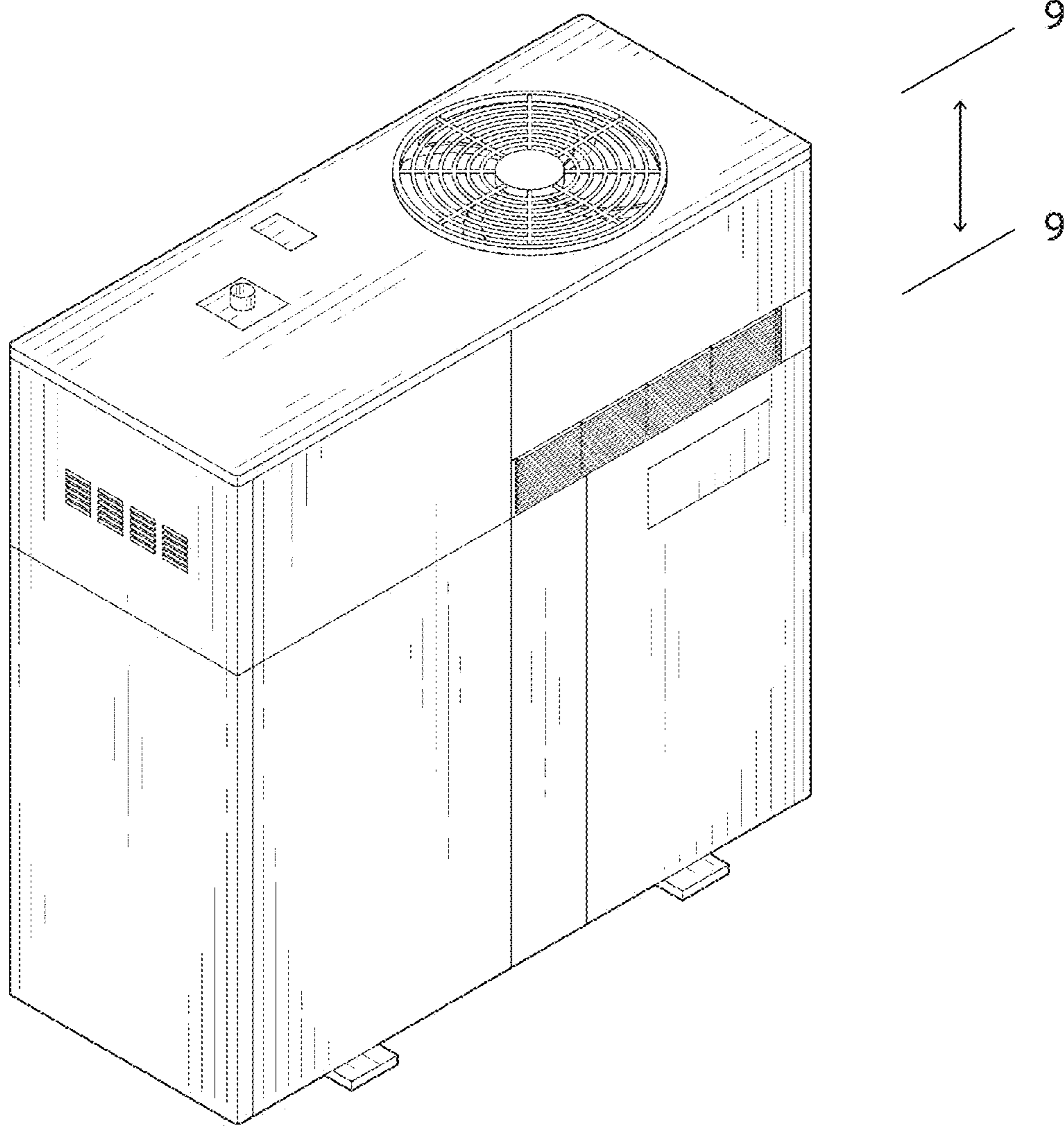




FIG.2

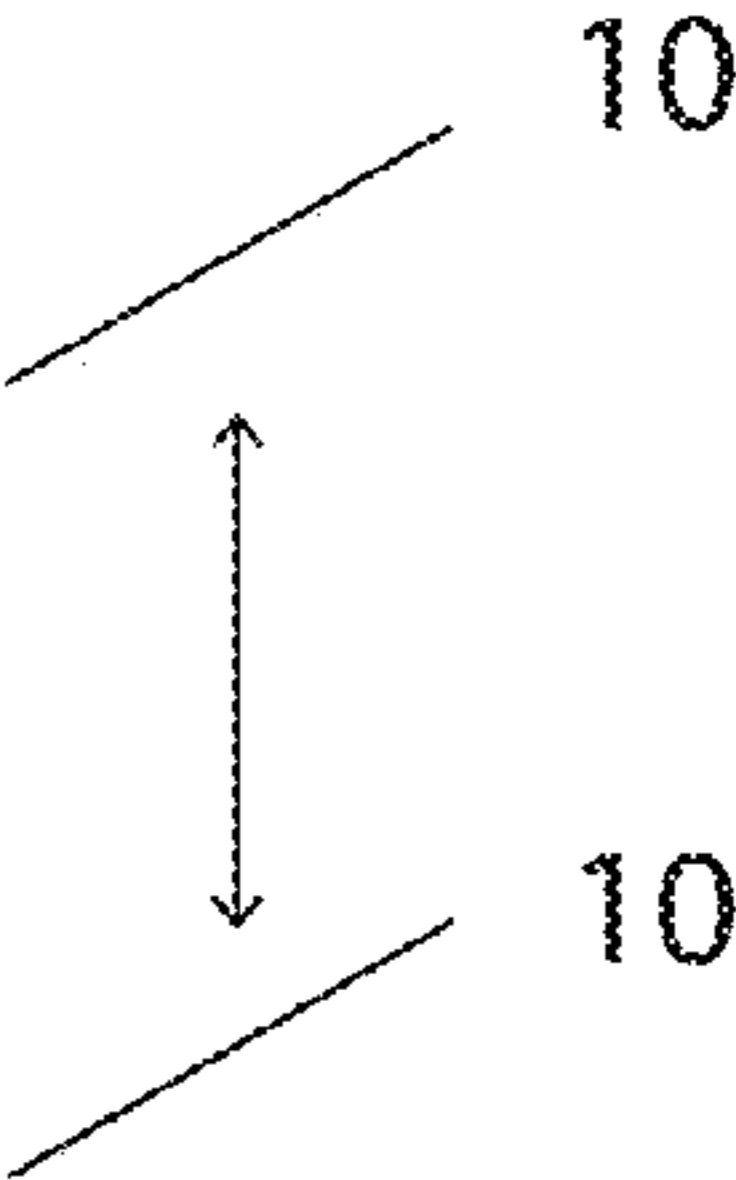
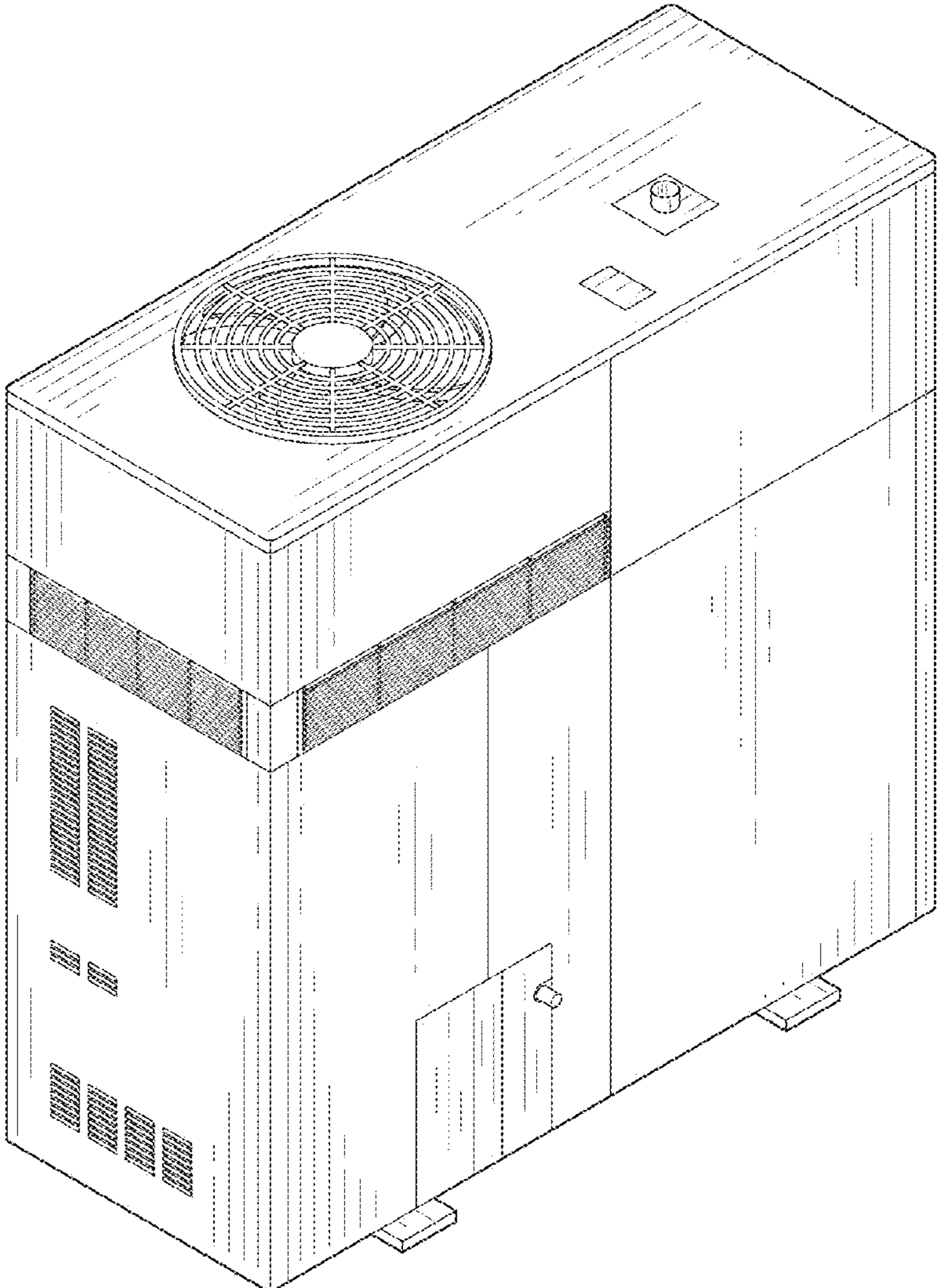


FIG.3

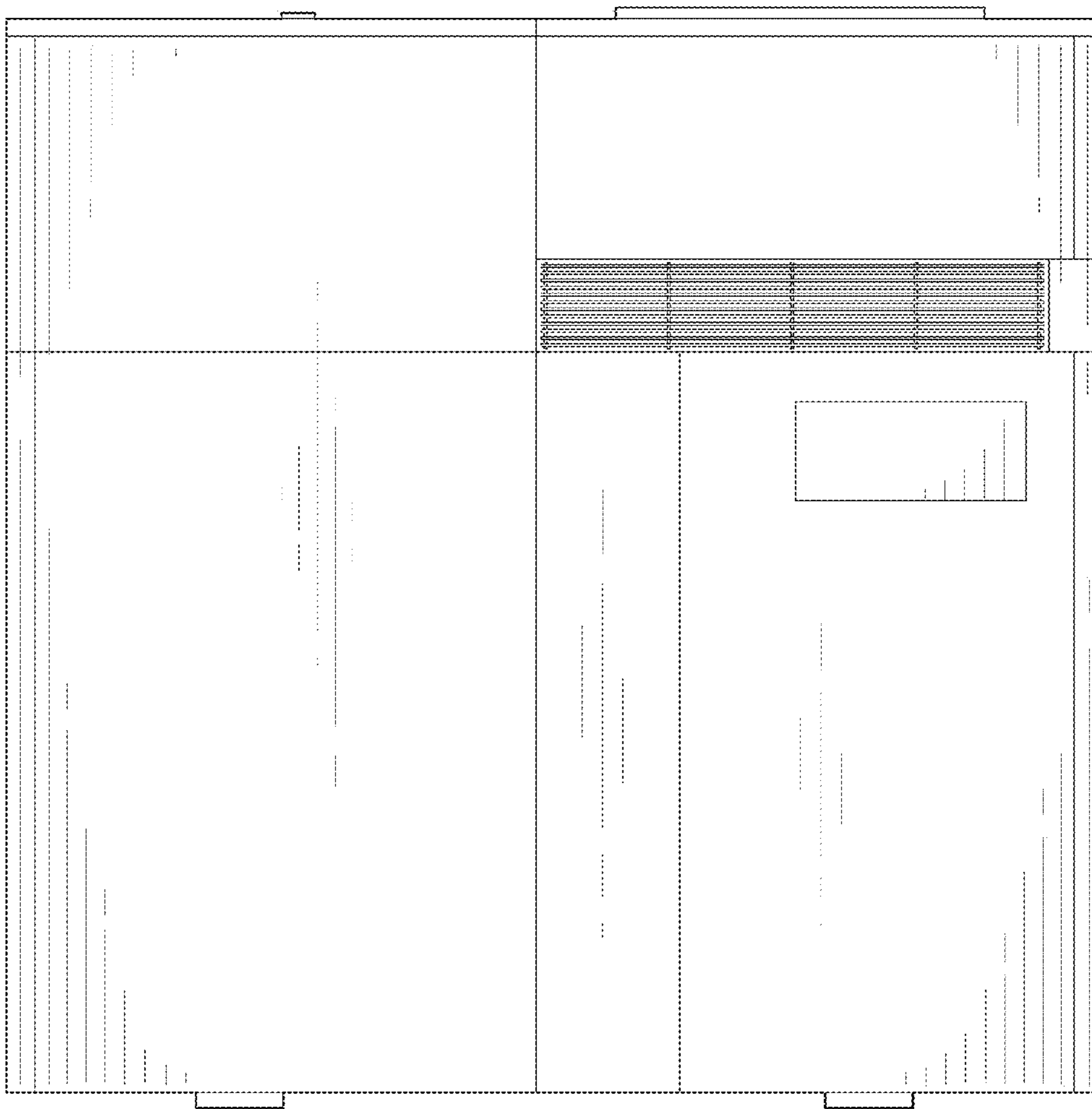


FIG.4

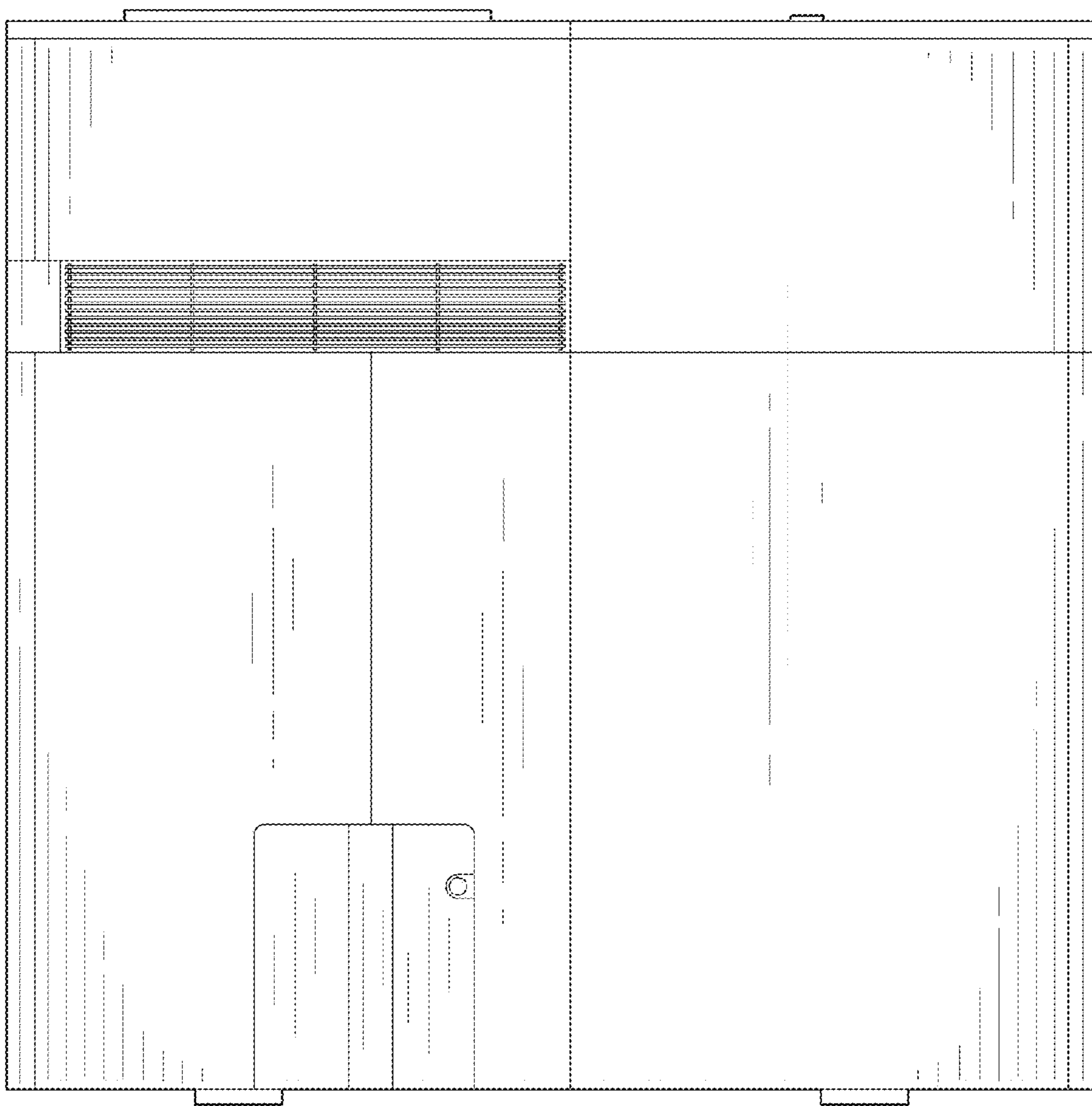


FIG.5

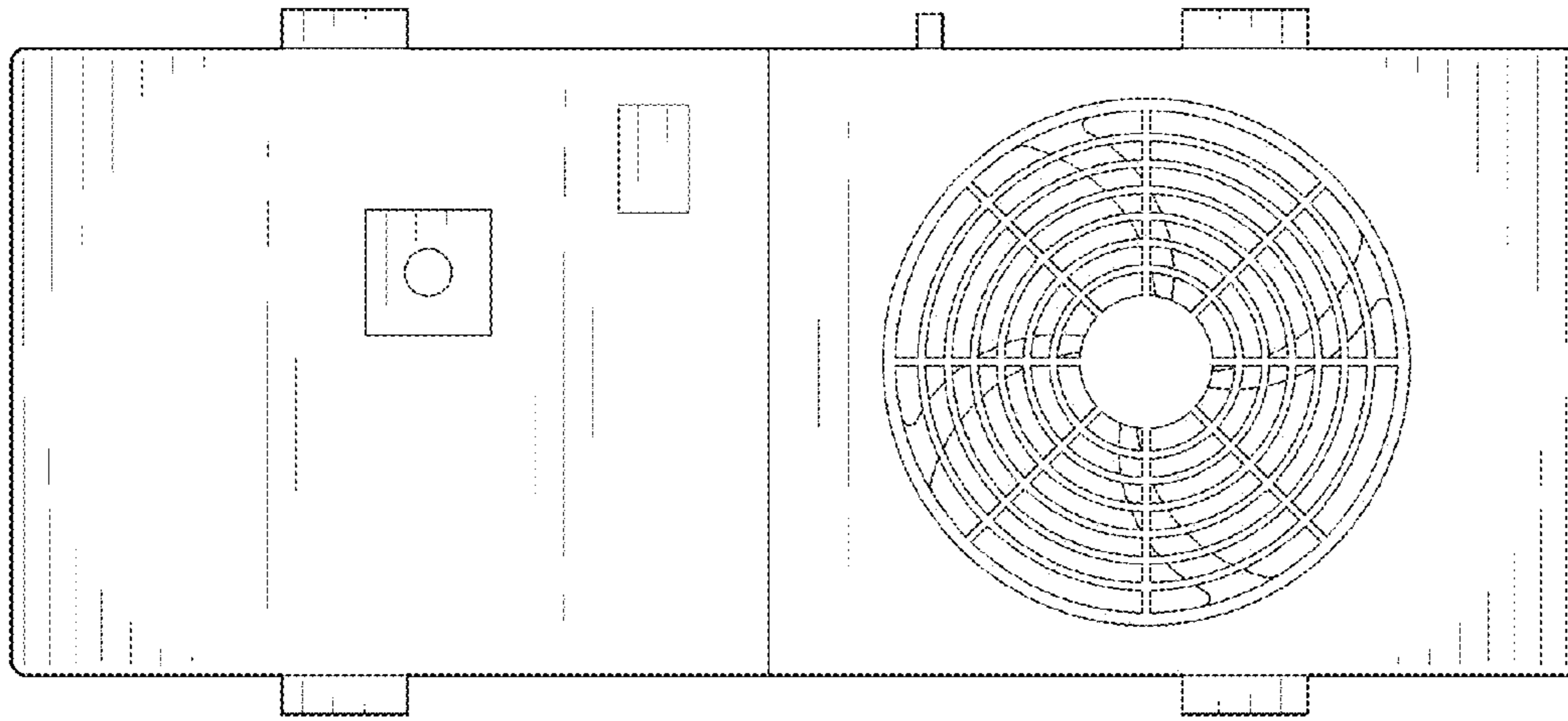


FIG.6

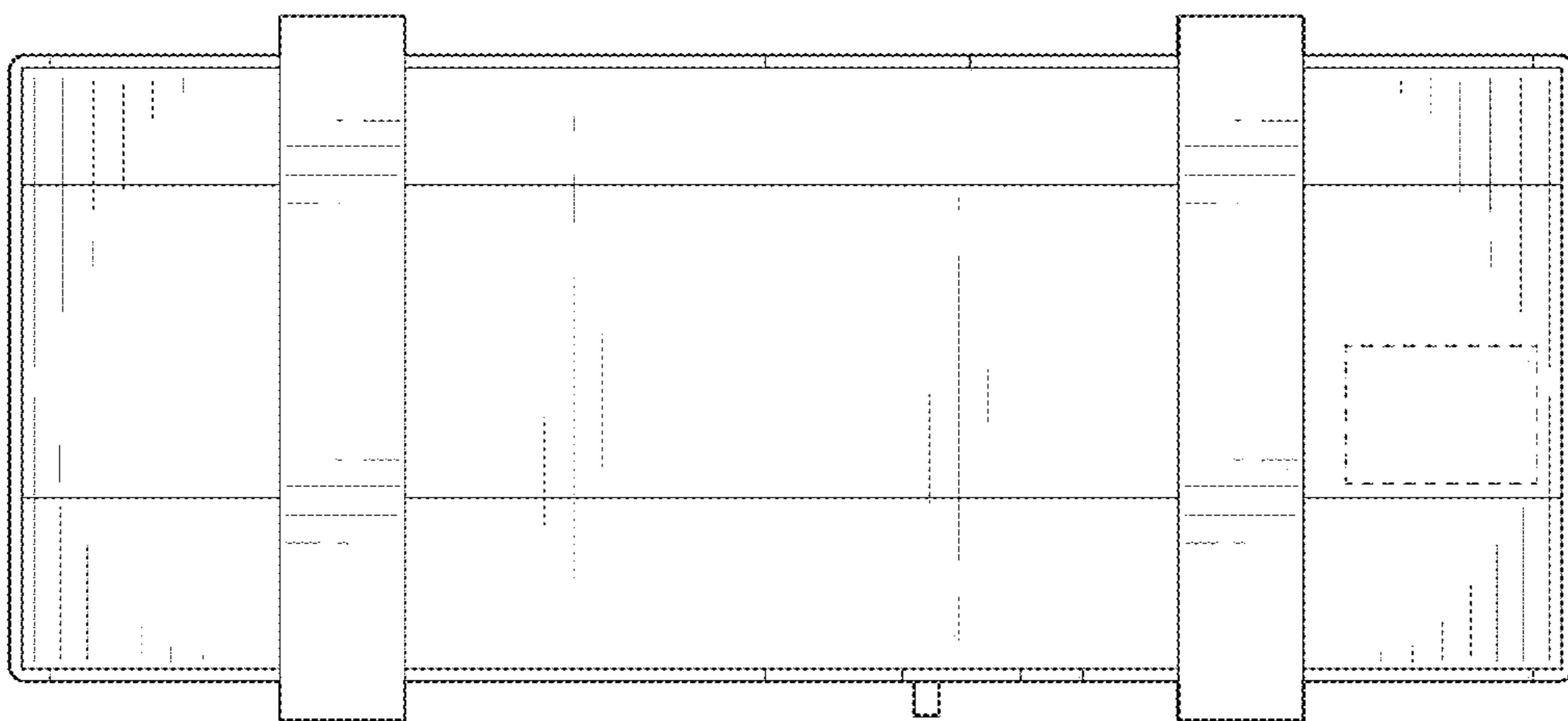




FIG. 7

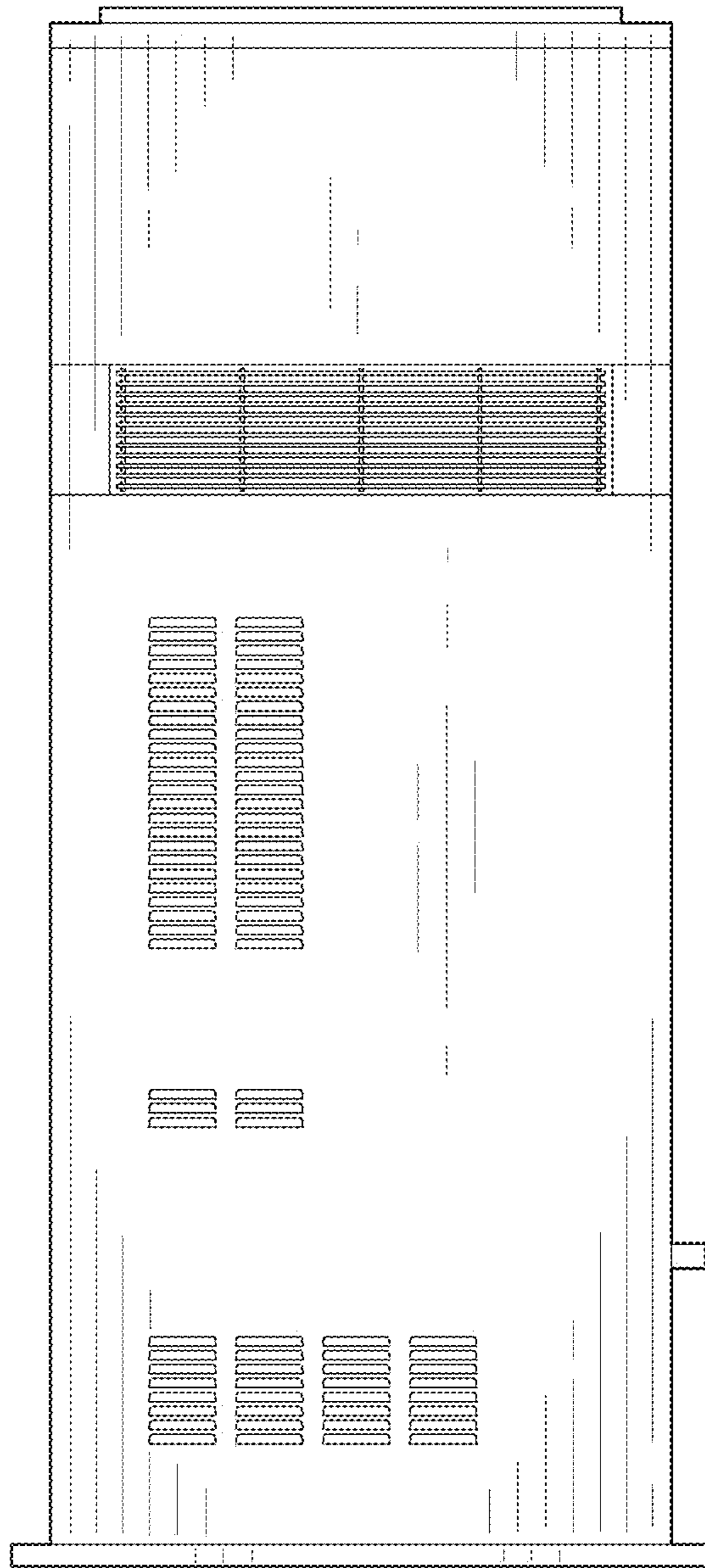


FIG. 8

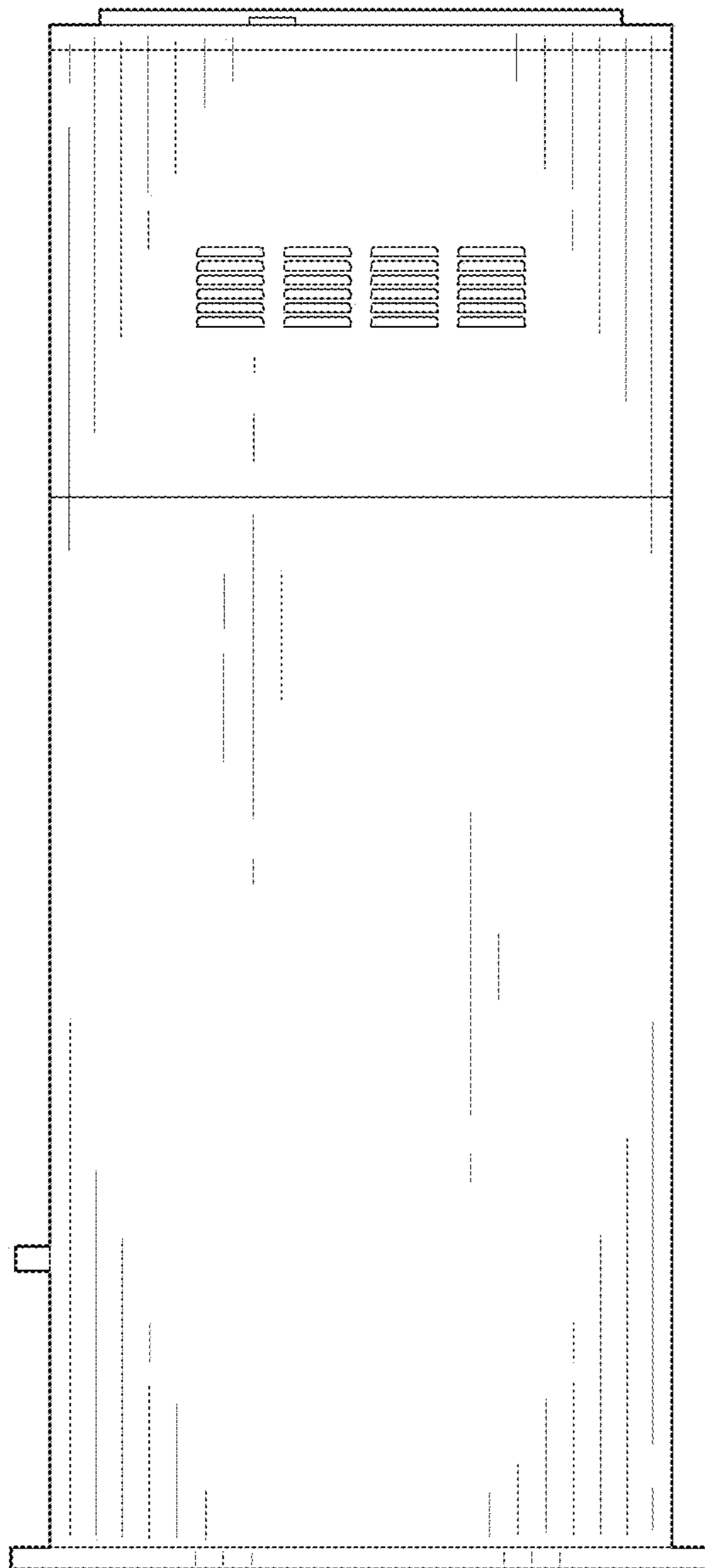


FIG.9

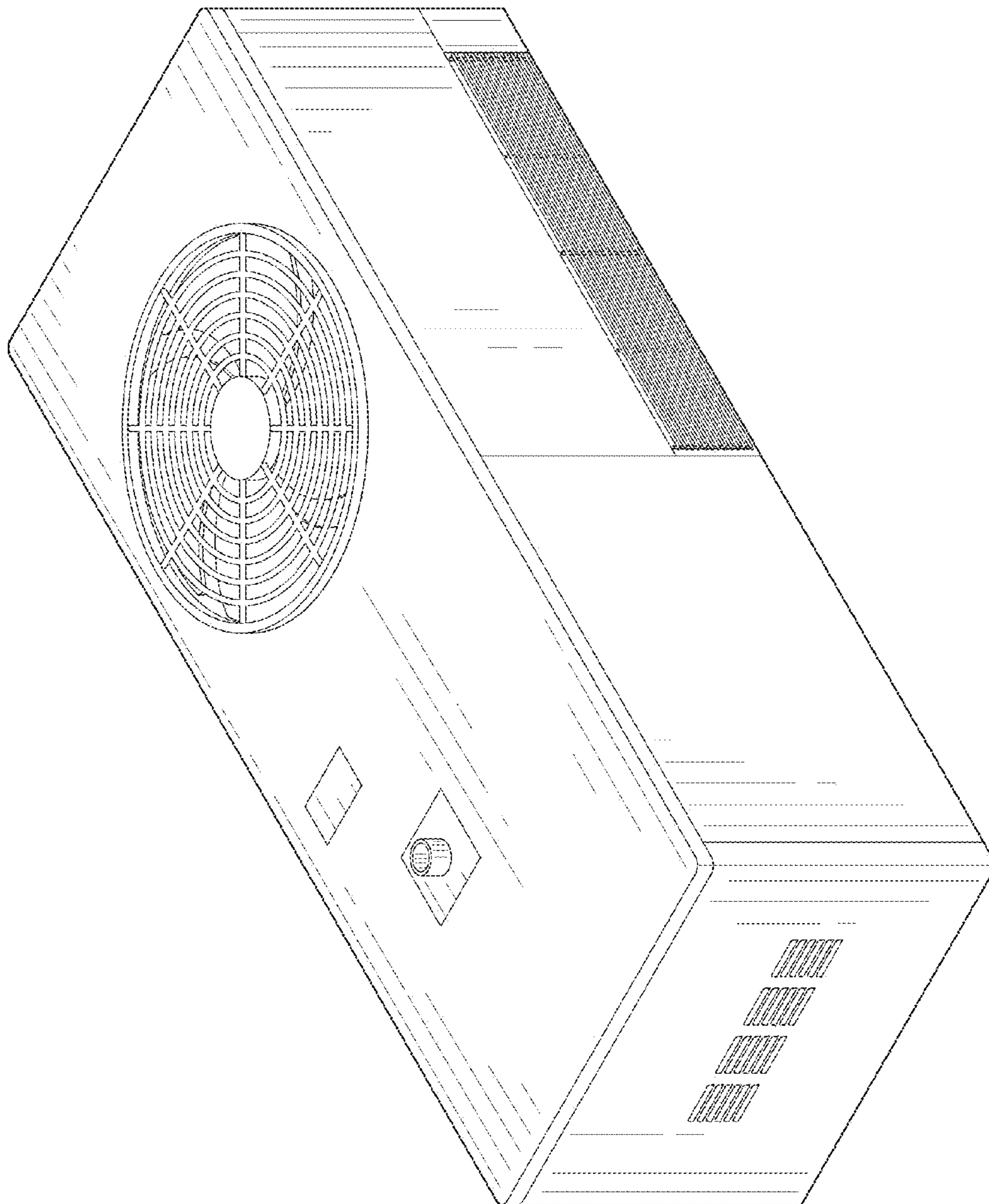


FIG. 10

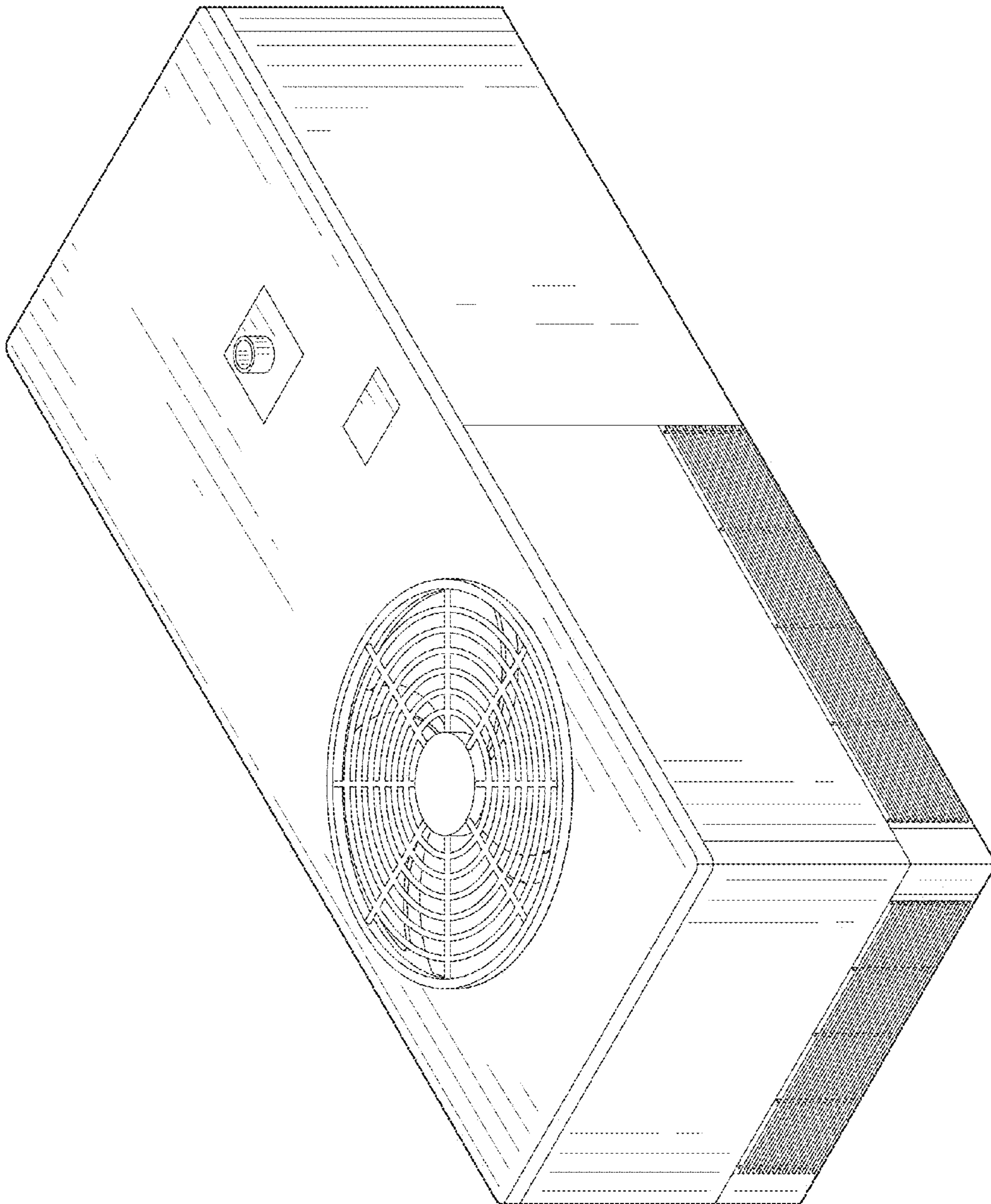




FIG. 11

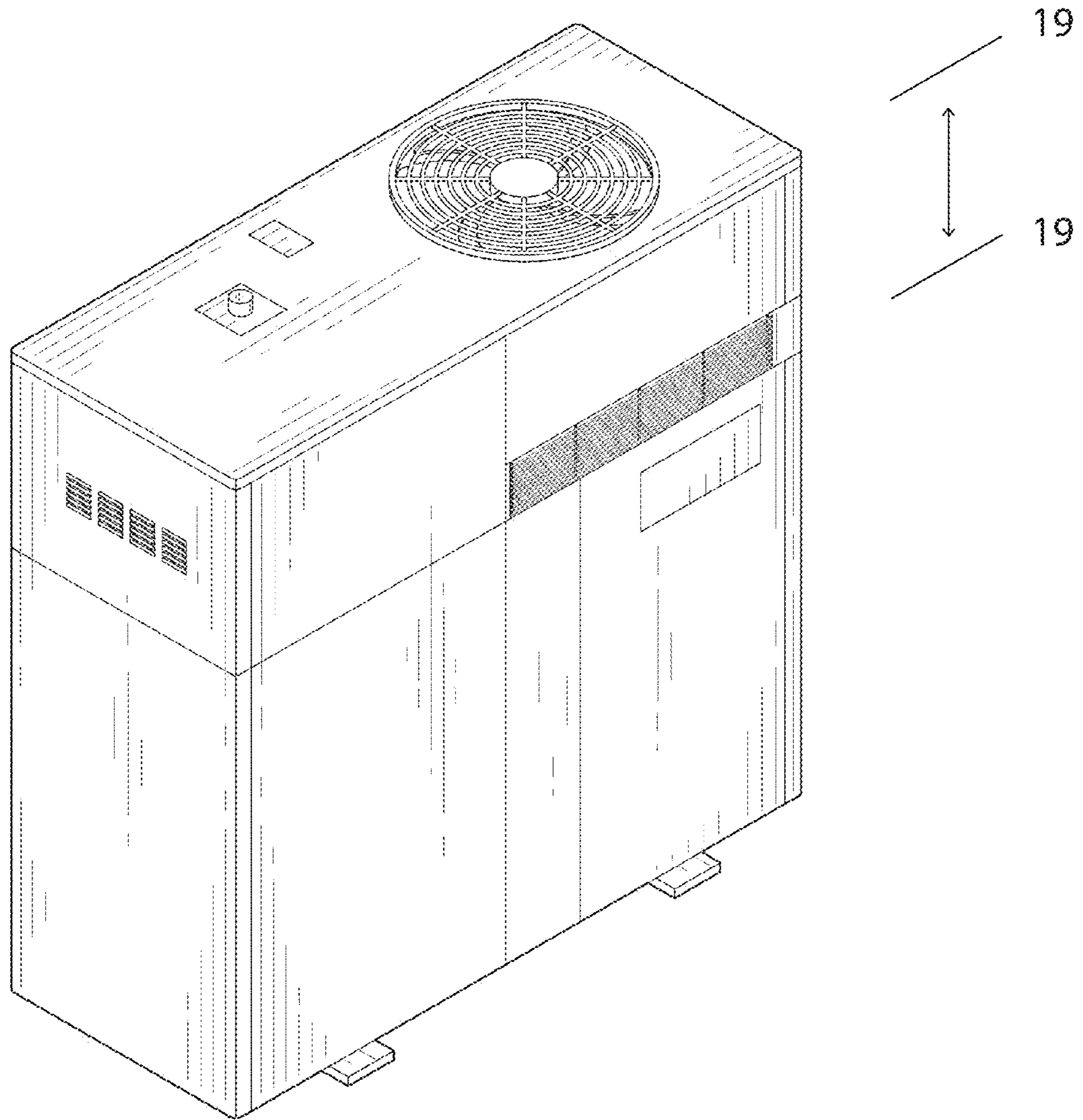




FIG.12

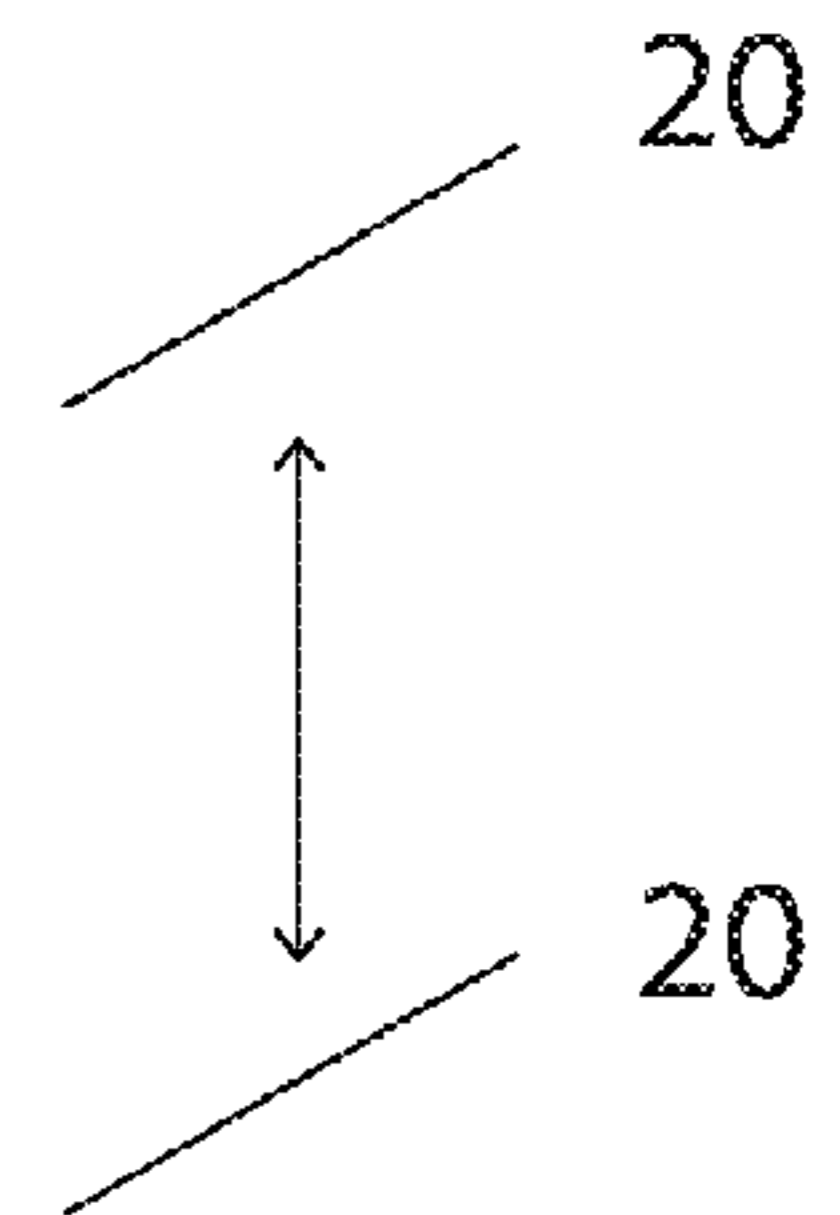
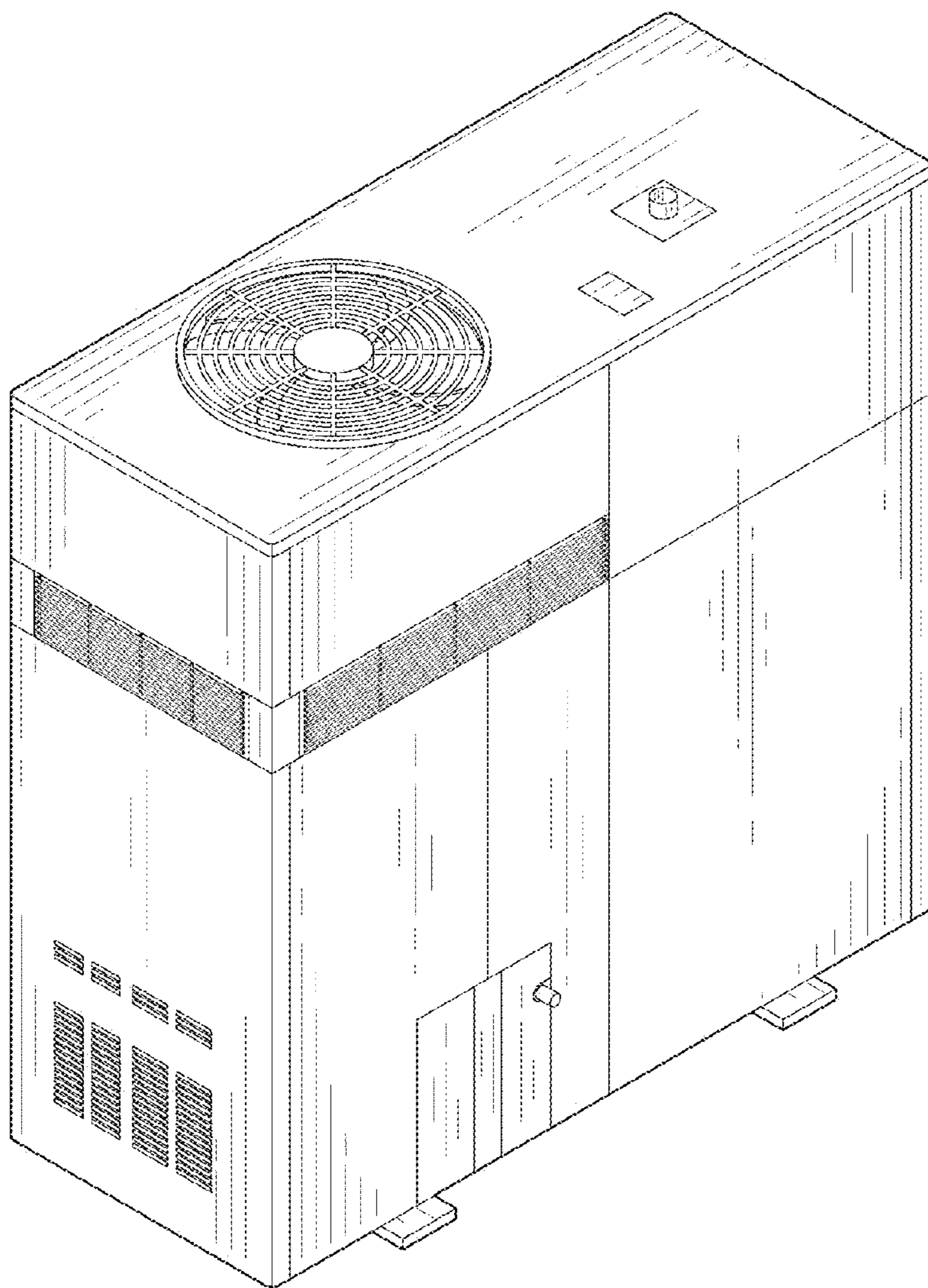


FIG. 13

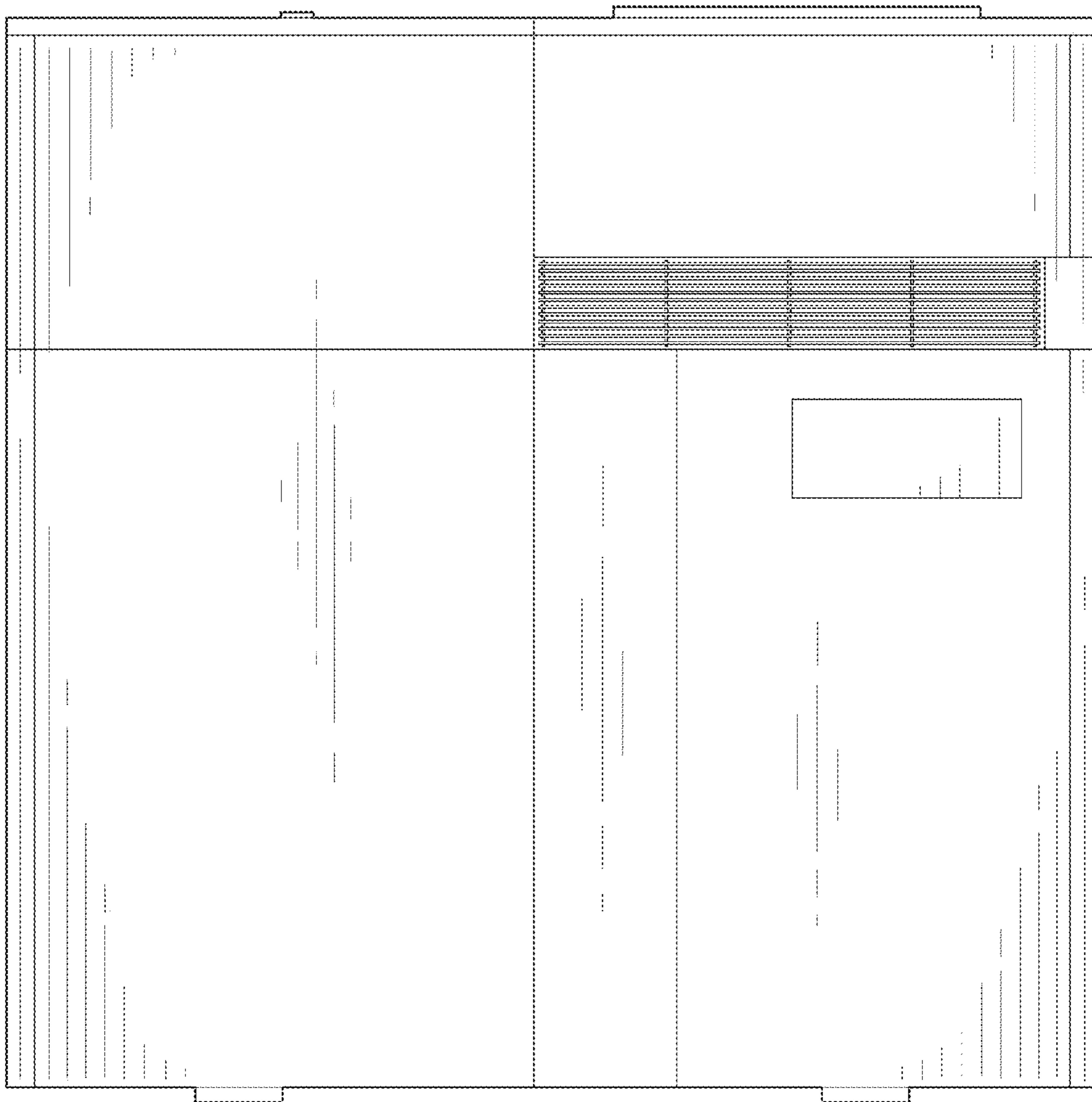


FIG. 14

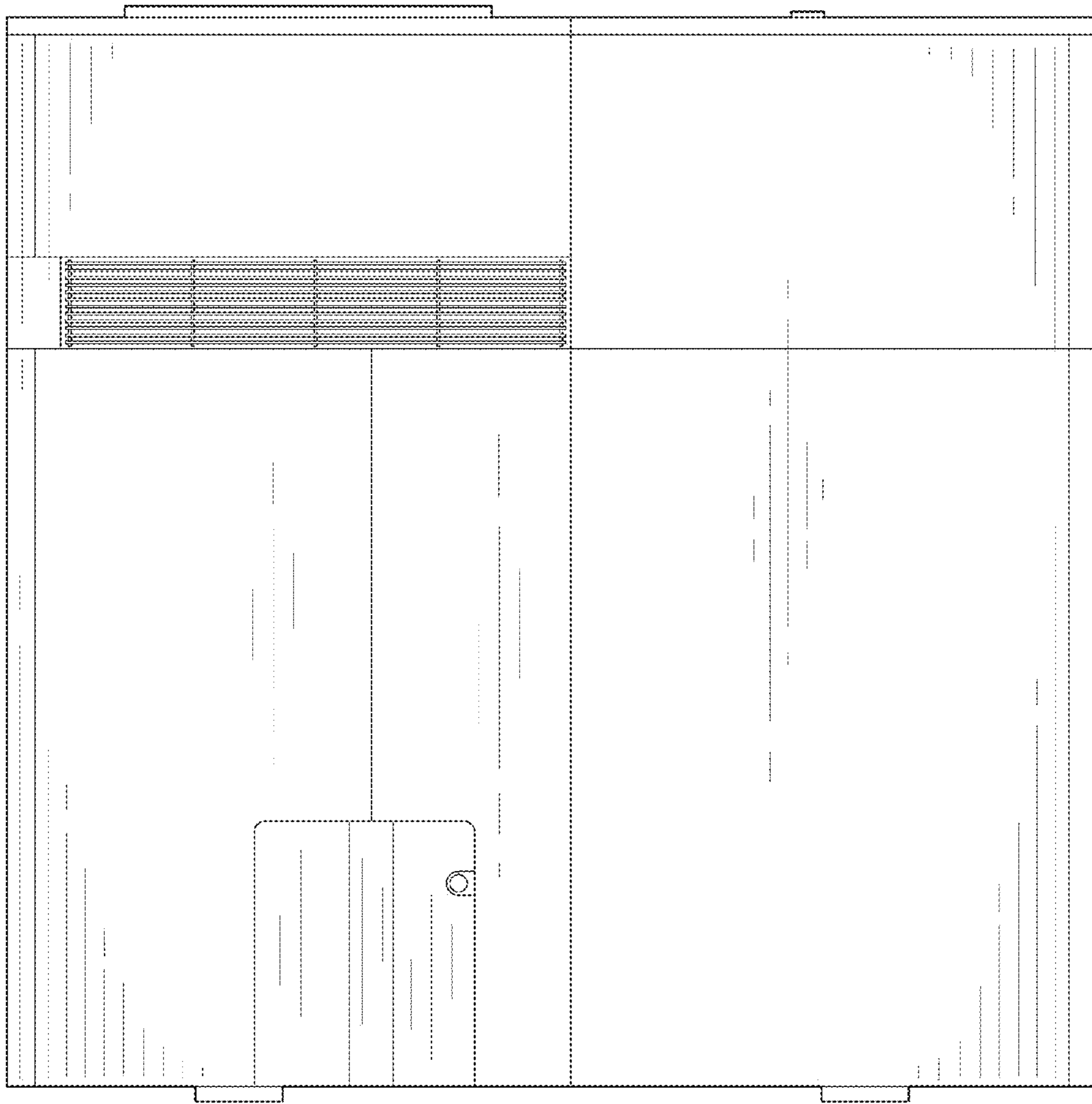


FIG.15

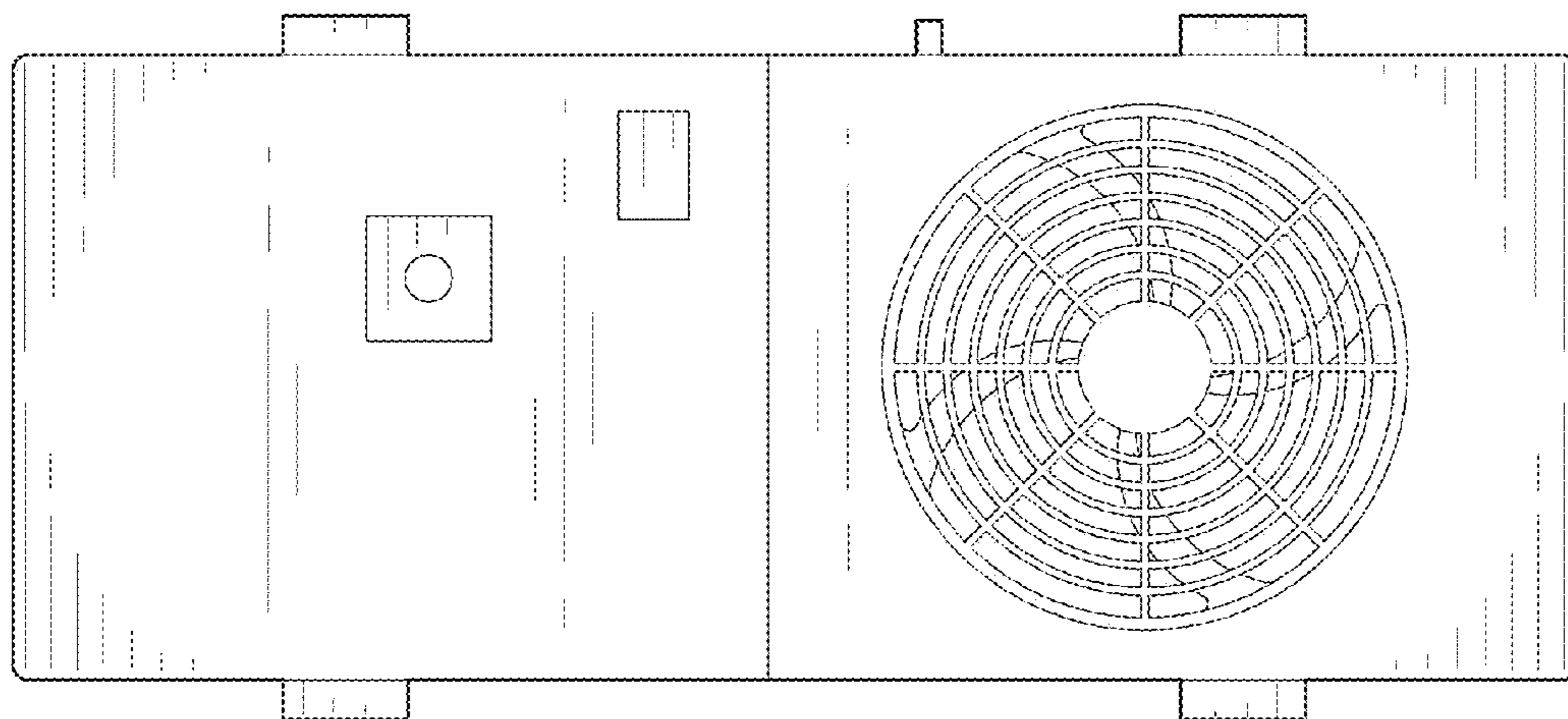


FIG.16

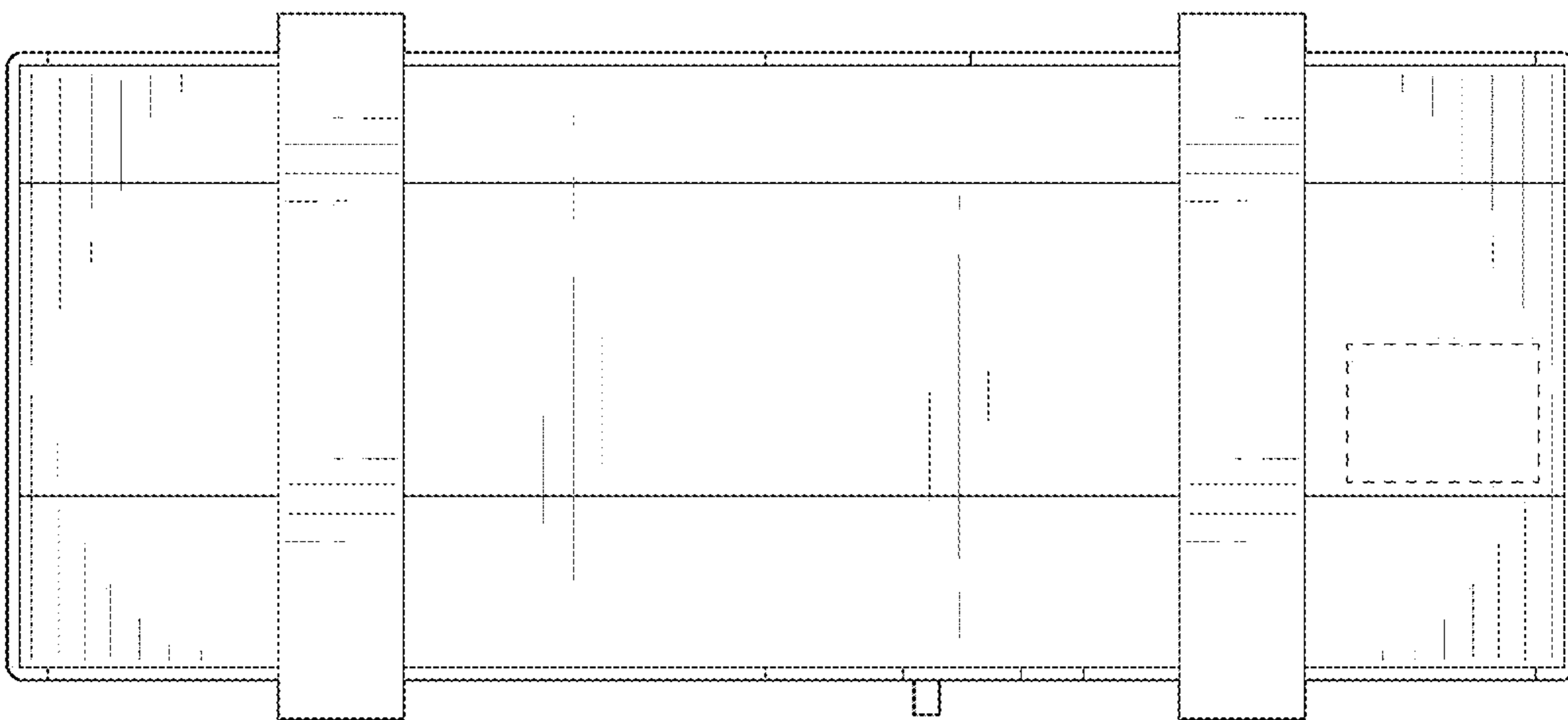




FIG. 17

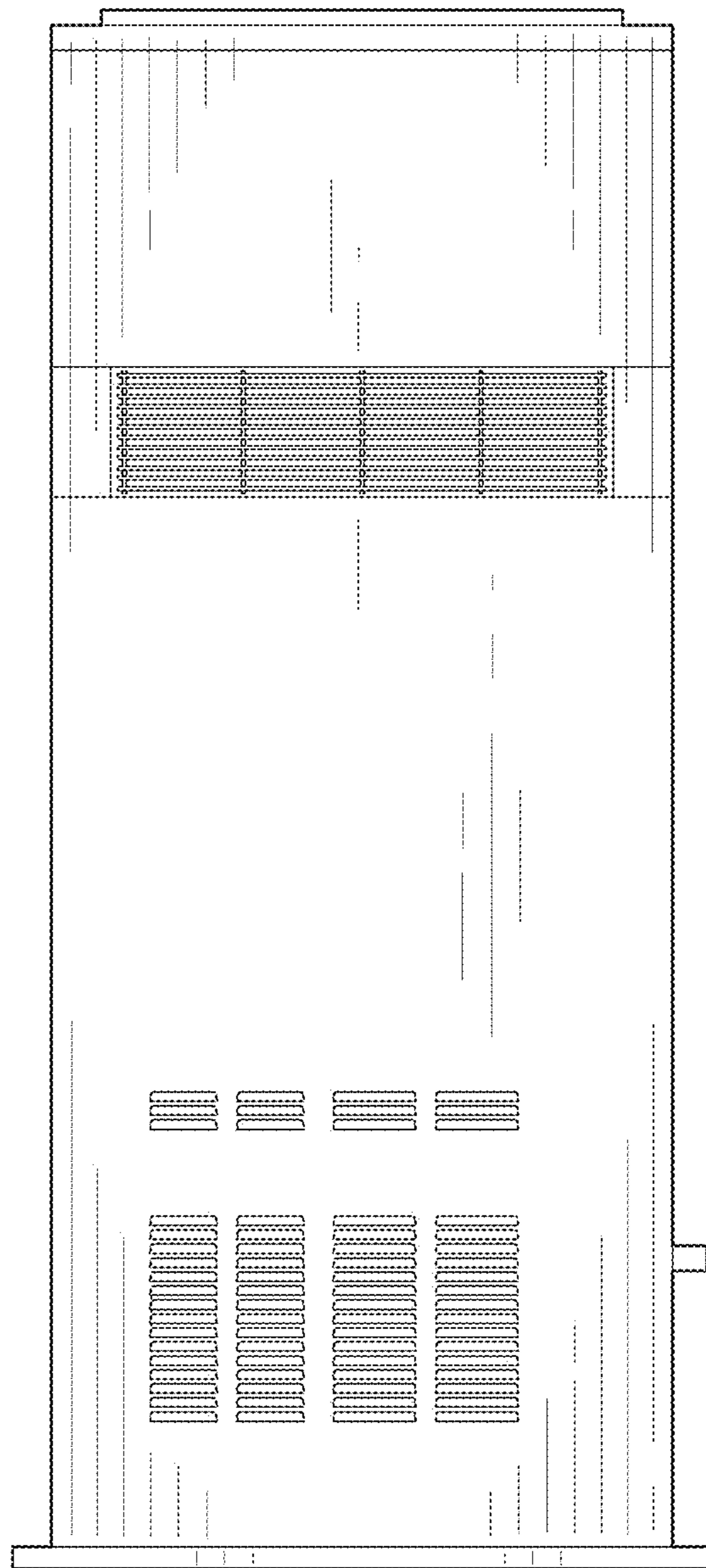


FIG. 18

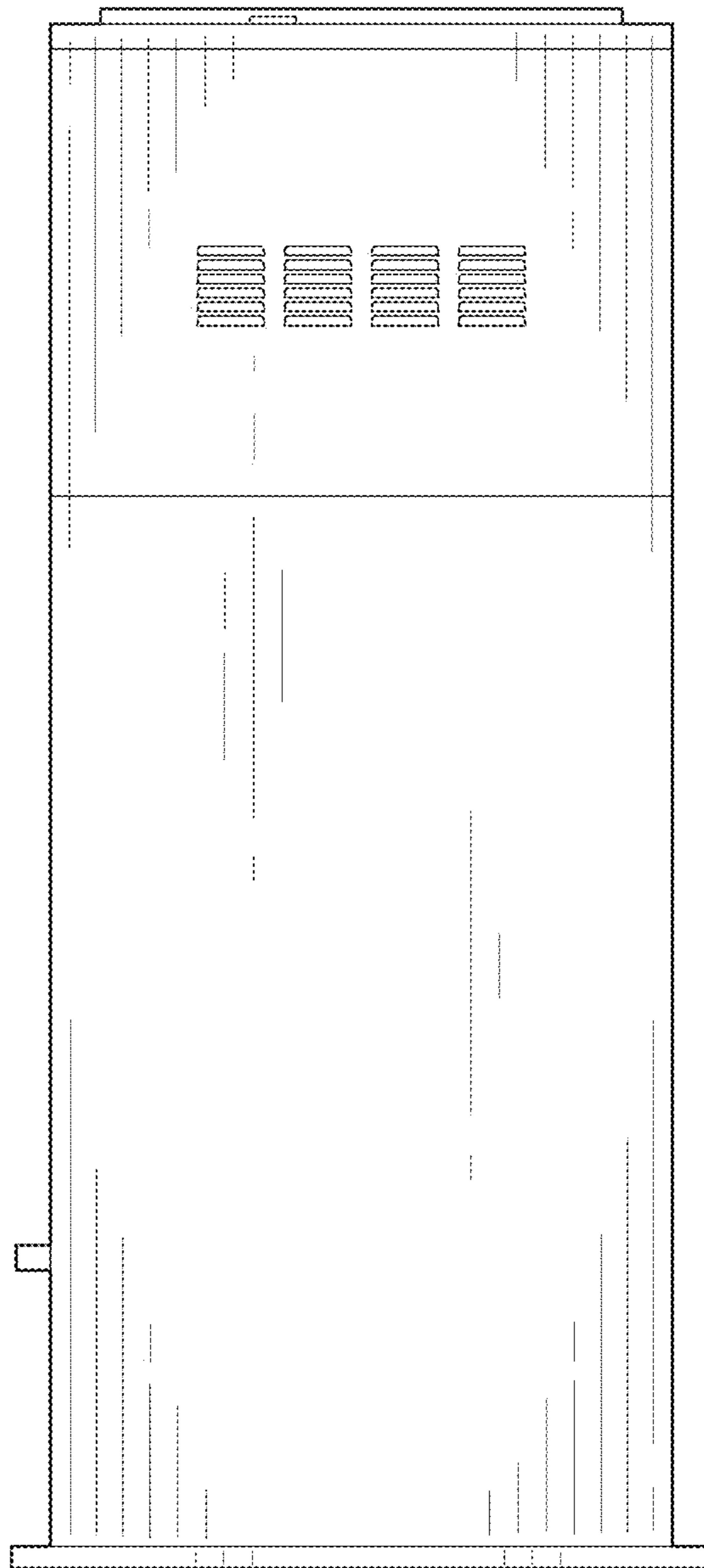


FIG. 19

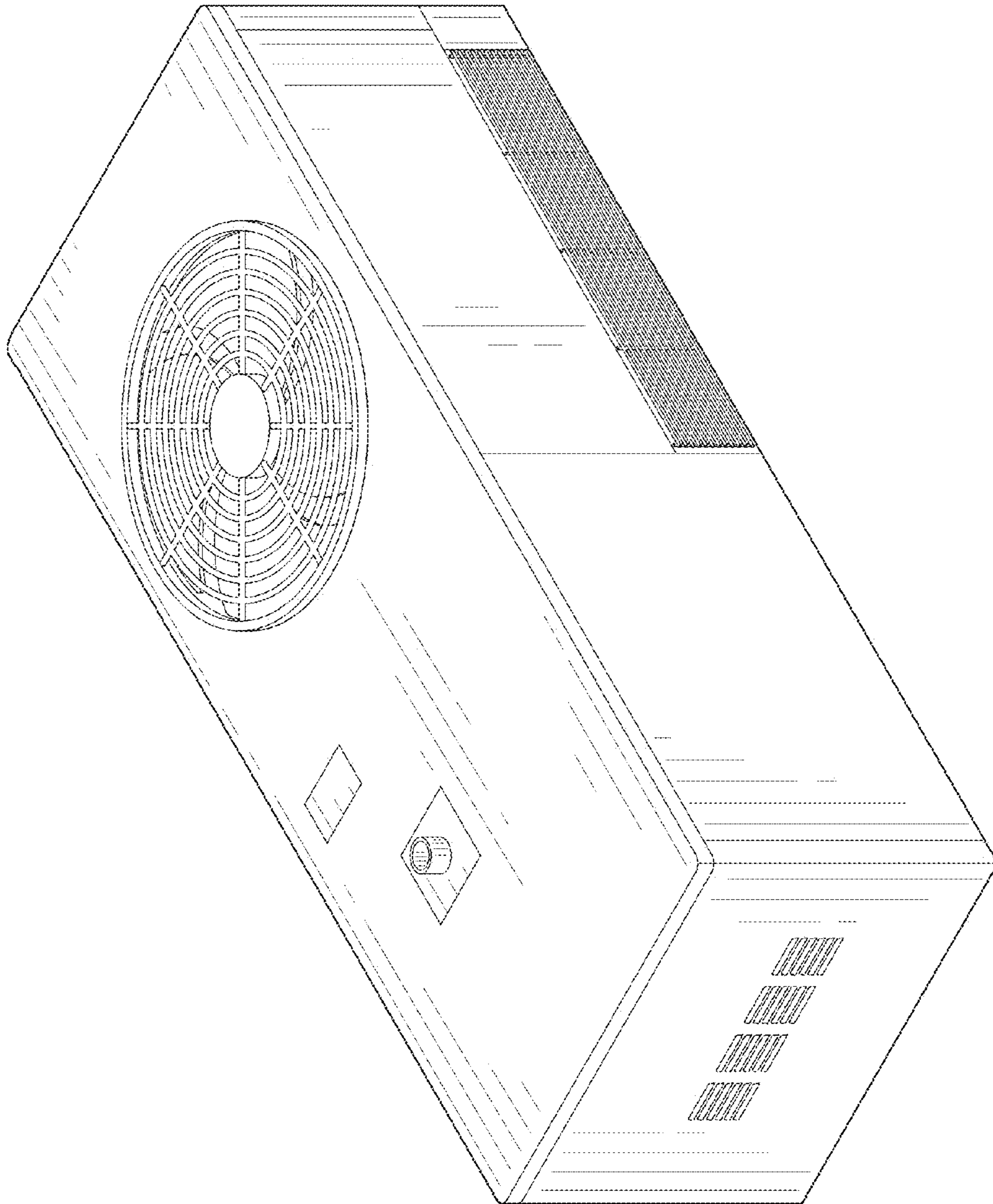


FIG.20

