



US00D758307S

(12) **United States Design Patent**
Stump et al.

(10) **Patent No.:** **US D758,307 S**
(45) **Date of Patent:** **** Jun. 7, 2016**

(54) **CARABINER CHARGING CABLE**
(71) Applicants: **John Stump**, Santa Barbara, CA (US);
Brian Hahn, San Francisco, CA (US);
Noah Dentzel, San Francisco, CA (US)
(72) Inventors: **John Stump**, Santa Barbara, CA (US);
Brian Hahn, San Francisco, CA (US);
Noah Dentzel, San Francisco, CA (US)
(**) Term: **14 Years**
(21) Appl. No.: **29/493,214**

D680,069 S * 4/2013 Symons D13/108
D685,732 S * 7/2013 Miller D13/108
8,491,330 B2 7/2013 McSweyn
D692,390 S * 10/2013 Smith D13/133
D693,207 S * 11/2013 Petzl D8/356
D704,634 S * 5/2014 Eidelman D13/108
D705,178 S * 5/2014 Olsson D13/153
D708,046 S * 7/2014 Petzl D8/356
D708,047 S * 7/2014 Petzl D8/356
D716,224 S * 10/2014 Blumin D13/108
D723,474 S * 3/2015 Olsson D13/153
D725,034 S * 3/2015 Chen D13/108
D725,998 S * 4/2015 McEvilly D8/367
D734,272 S * 7/2015 Dang D13/153
D736,151 S * 8/2015 Dentzel D13/108

(Continued)

(22) Filed: **Jun. 6, 2014**
(51) **LOC (10) Cl.** **13-02**
(52) **U.S. Cl.**
USPC **D13/108; D13/153**
(58) **Field of Classification Search**
USPC D13/107-110, 118-119, 153, 184, 199;
D14/251, 253, 432, 434; D8/356;
D3/208
CPC Y02E 60/12; Y02T 90/14; Y02T 90/122;
Y02T 90/128; Y02T 90/163; H02J 7/025;
H02J 7/0042; H02J 7/0044; H02J 7/0045;
H02J 7/0003; H01F 38/14; H01R 13/6675;
H01M 2/1022; H01M 2/1055; H01M 10/44;
H01M 10/46; H01M 10/425; B60L 11/182
See application file for complete search history.

Primary Examiner — Rosemary K Tarcza
(74) *Attorney, Agent, or Firm* — QuickPatents, LLC; Kevin Prince

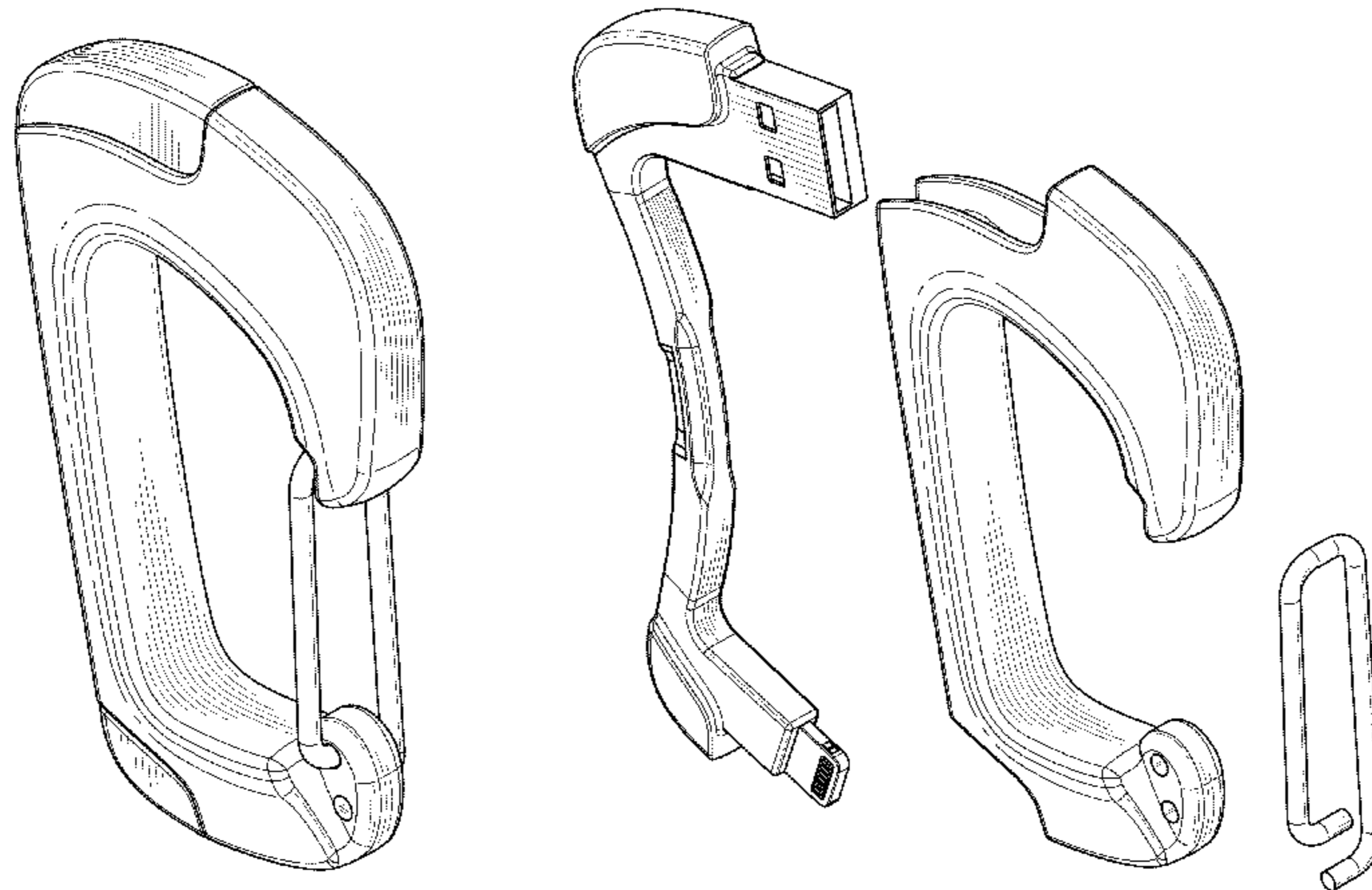
(57) **CLAIM**
We claim the ornamental design for a carabiner charging cable, as shown and described.

DESCRIPTION

FIG. 1 is a perspective view of a carabiner charging cable, showing our new design;
FIG. 2 is a front elevational view thereof;
FIG. 3 is a rear elevational view thereof;
FIG. 4 is a left-side elevational view thereof;
FIG. 5 is a right-side elevational view thereof;
FIG. 6 is a bottom plan view thereof;
FIG. 7 is a top plan view thereof;
FIG. 8 is an exploded perspective view thereof;
FIG. 9 is an exploded front elevational view thereof;
FIG. 10 is an exploded rear elevational view thereof;
FIG. 11 is an exploded left-side elevational view thereof;
FIG. 12 is an exploded right-side elevational view thereof;
FIG. 13 is an exploded bottom plan view thereof;
FIG. 14 is an exploded top plan view thereof; and,
FIG. 15 is a left-side elevational view thereof, illustrated with a connector cable in a flexed configuration.

1 Claim, 9 Drawing Sheets

(56) **References Cited**
U.S. PATENT DOCUMENTS
D478,823 S * 8/2003 Kelleghan D10/68
D533,427 S * 12/2006 Barber D8/356
D652,379 S * 1/2012 Vandiver D13/108
D653,207 S * 1/2012 Vandiver D13/108
D656,096 S * 3/2012 Sasada D13/108
D659,094 S * 5/2012 Brand D13/108
D663,684 S * 7/2012 Yang D13/108
D663,685 S * 7/2012 Yang D13/108
D670,902 S 11/2012 McSweyn et al.
D673,110 S * 12/2012 Sasada D13/108
D673,111 S * 12/2012 Lo D13/108
D673,908 S * 1/2013 Koch D13/108



US D758,307 S

Page 2

(56)

References Cited

U.S. PATENT DOCUMENTS

D736,705 S * 8/2015 Brogan D13/108
D737,761 S * 9/2015 Zhuang D13/108
D741,797 S * 10/2015 Liu D13/108

D736,704 S * 8/2015 Liu D13/108 * cited by examiner

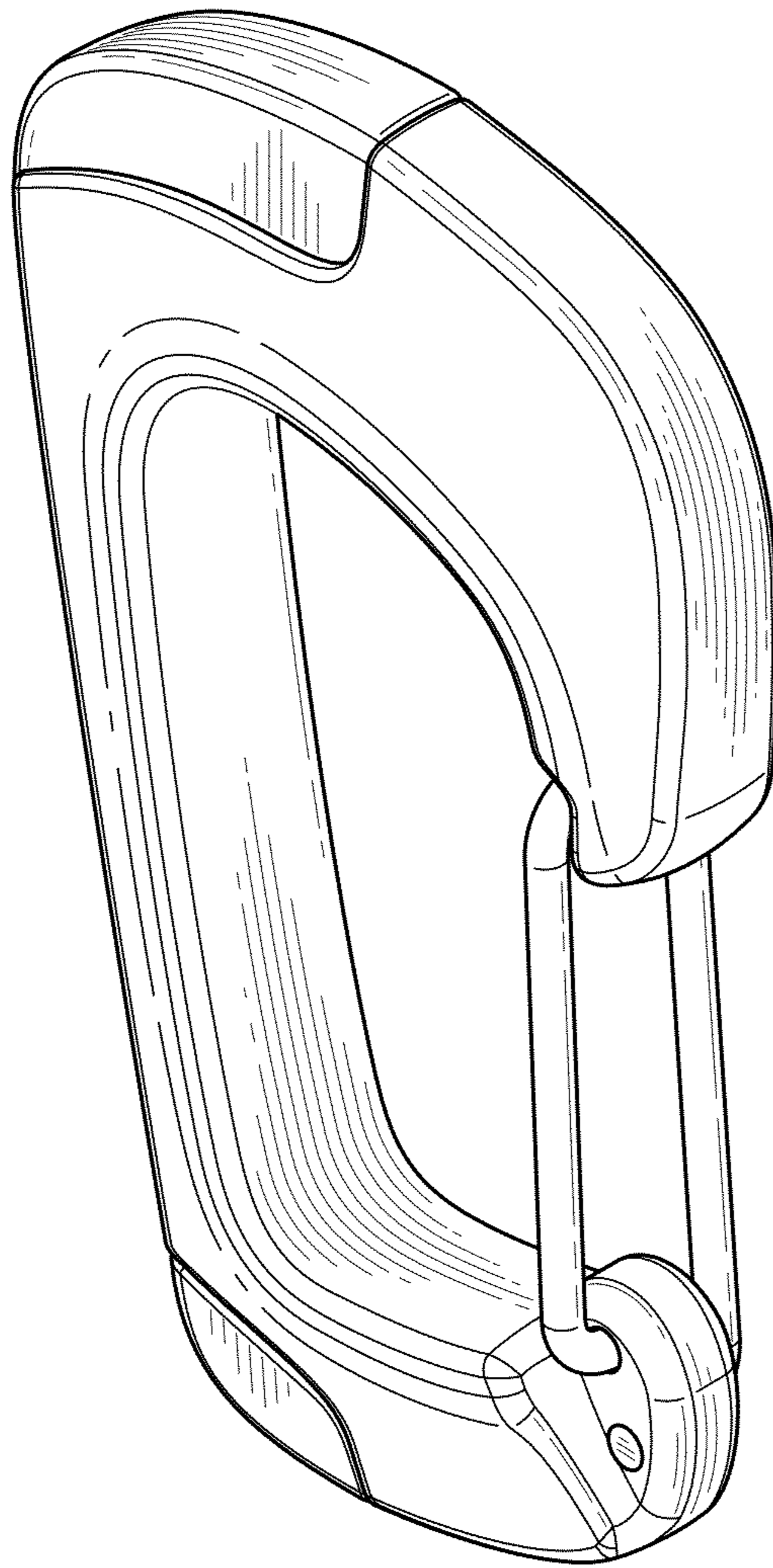


FIG. 1

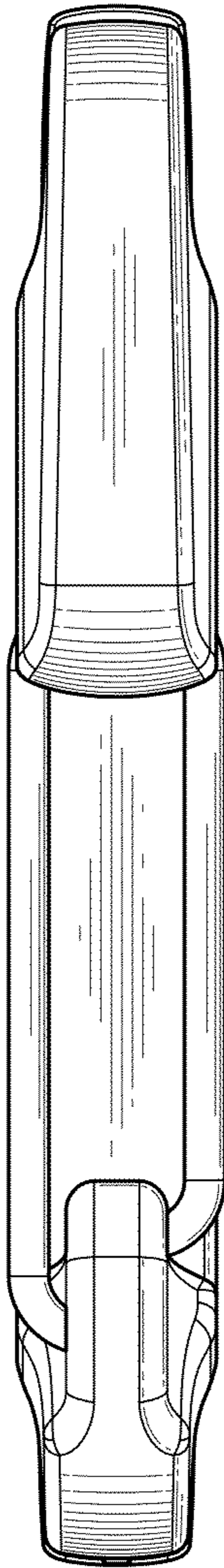


FIG. 2

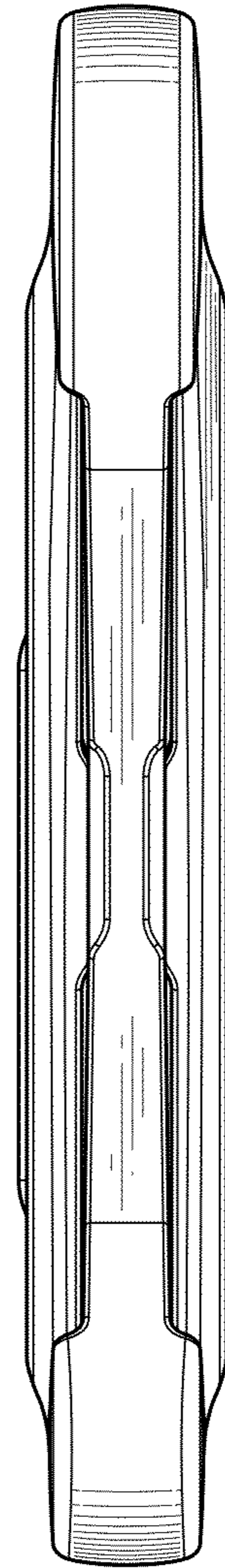


FIG. 3

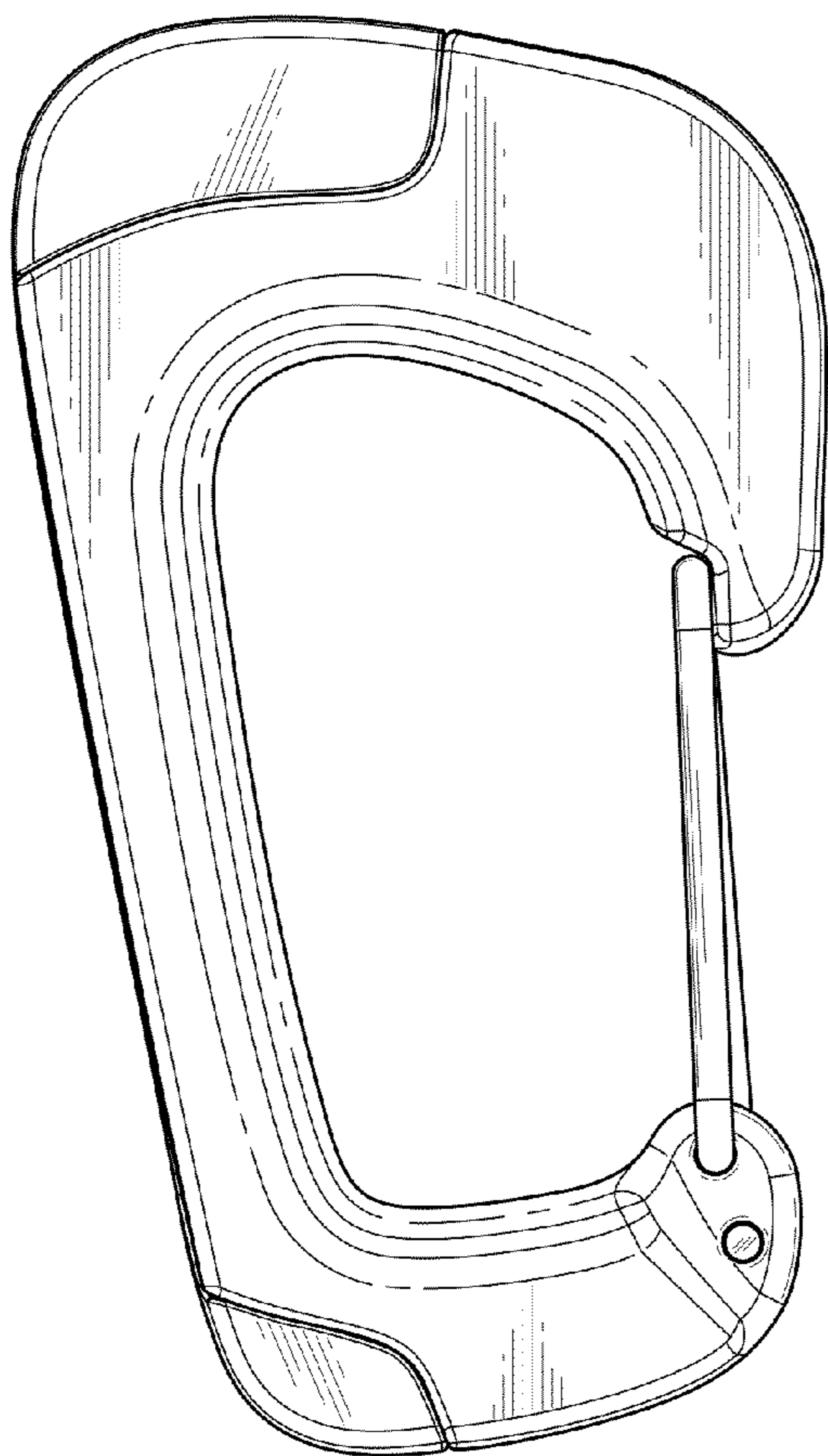


FIG. 4

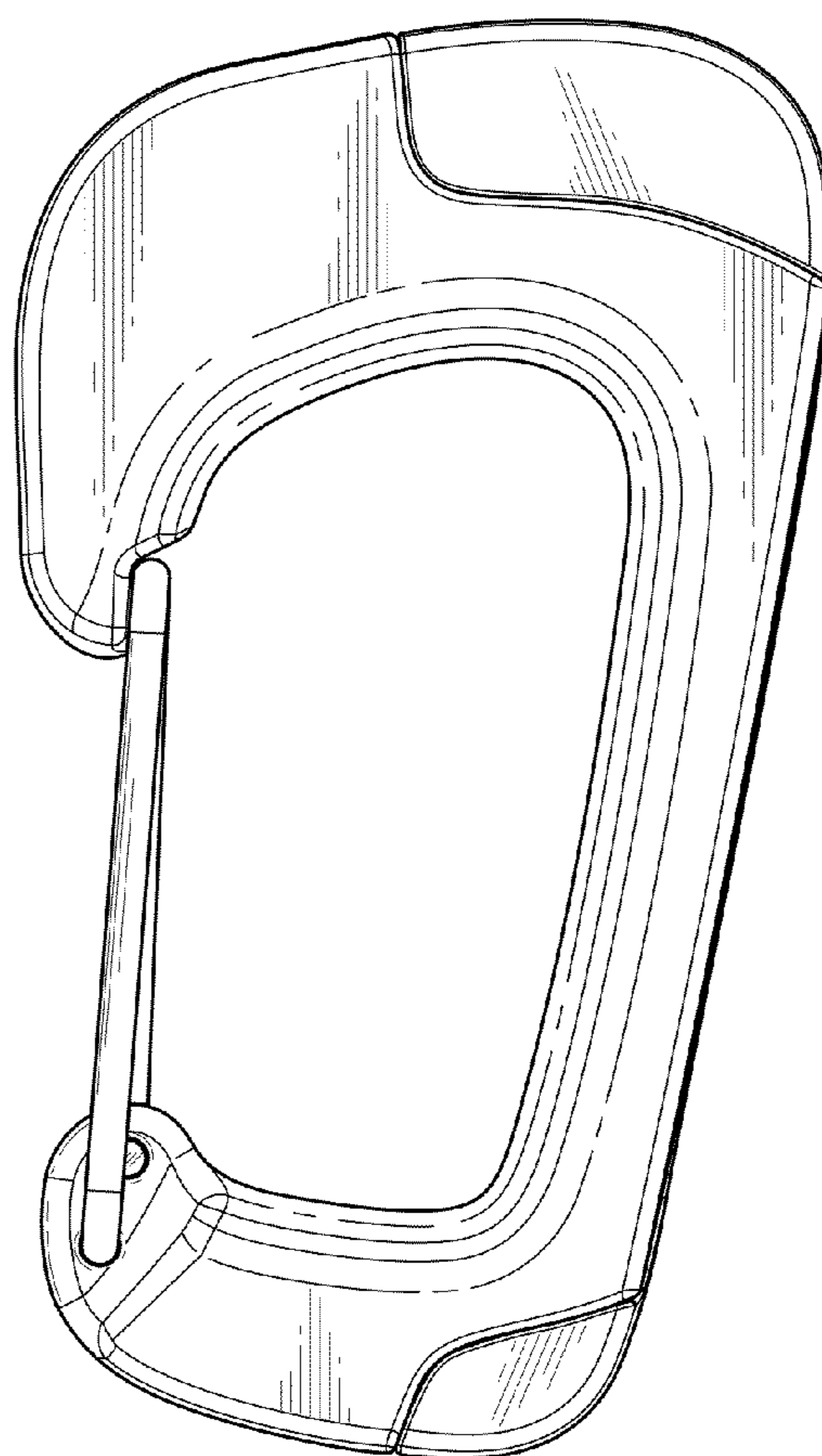


FIG. 5

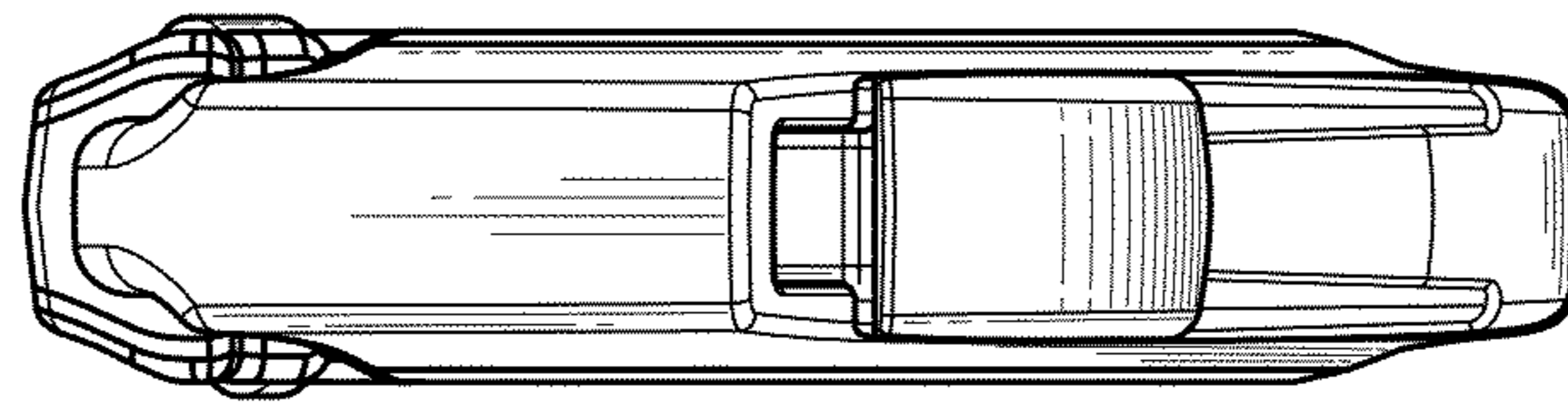


FIG. 6

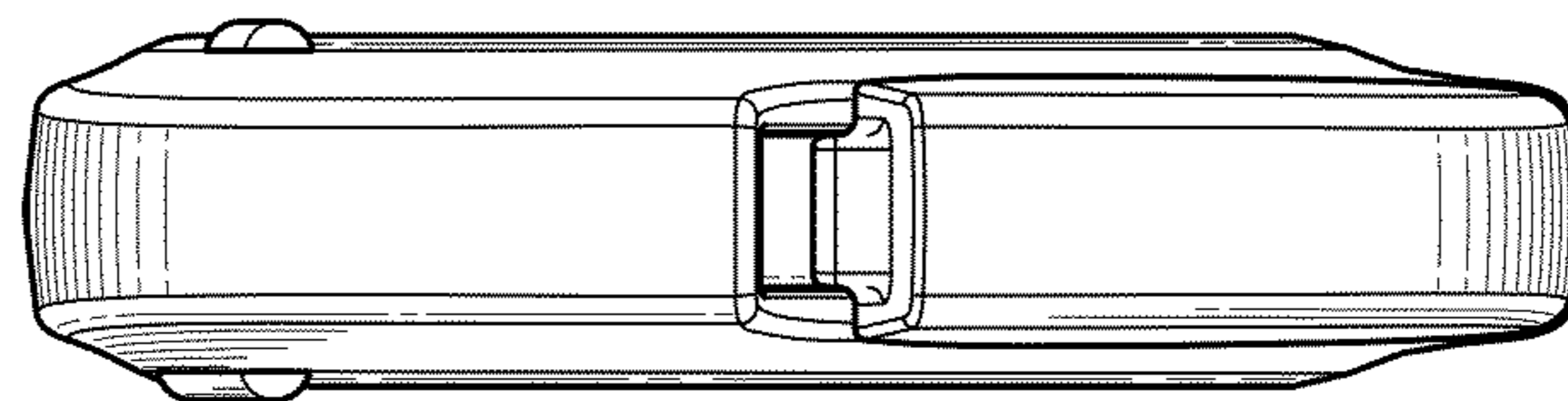


FIG. 7

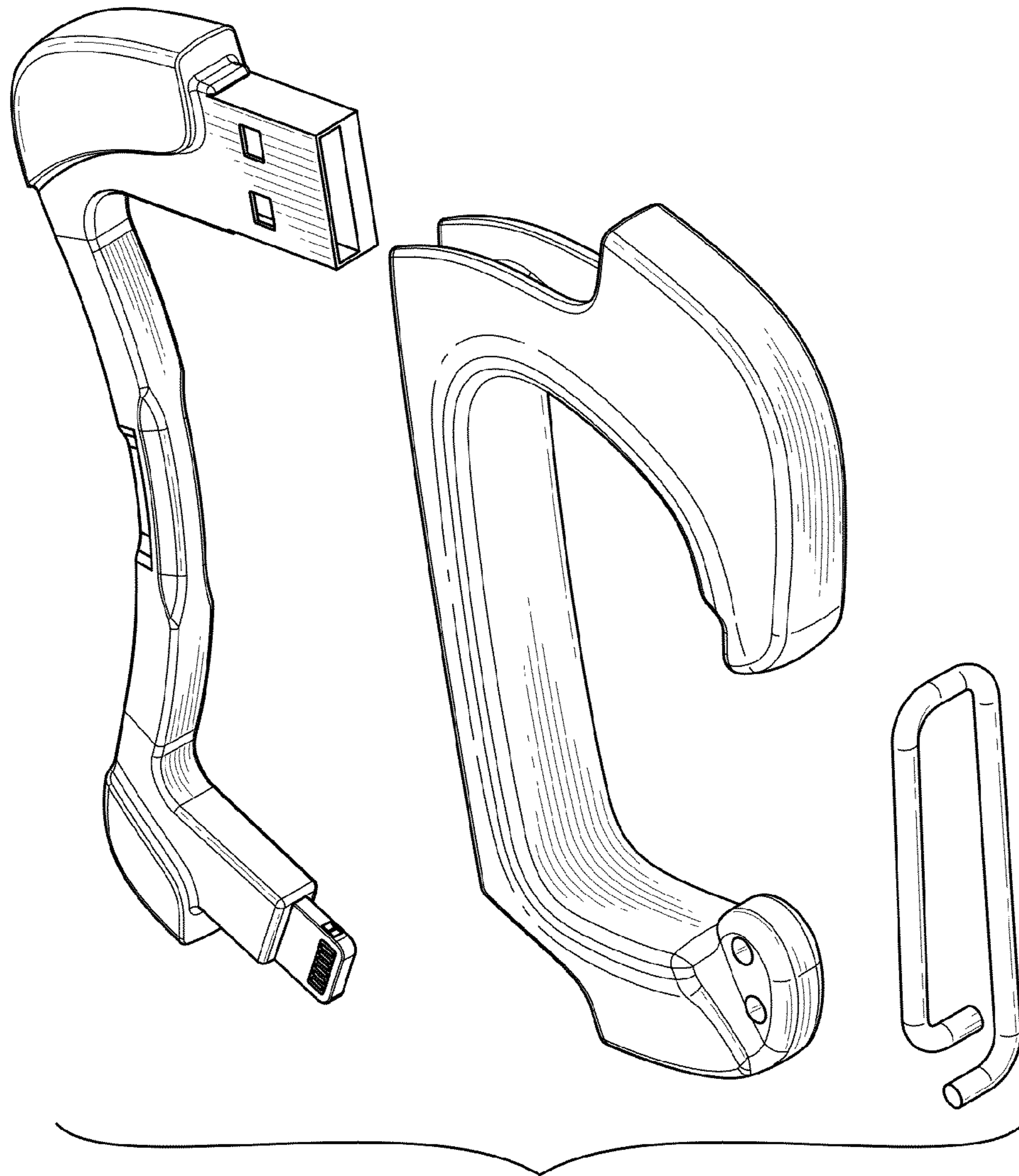


FIG. 8

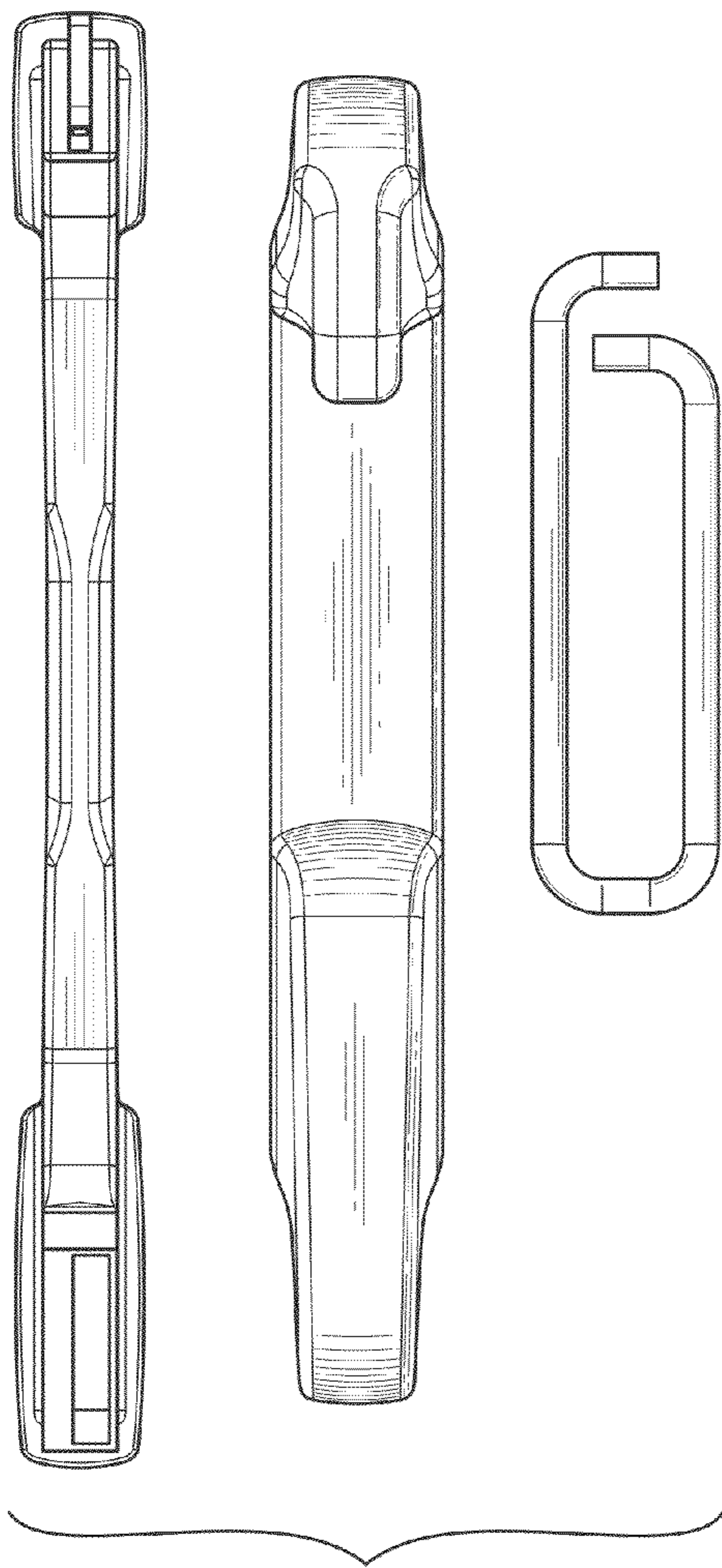


FIG. 9

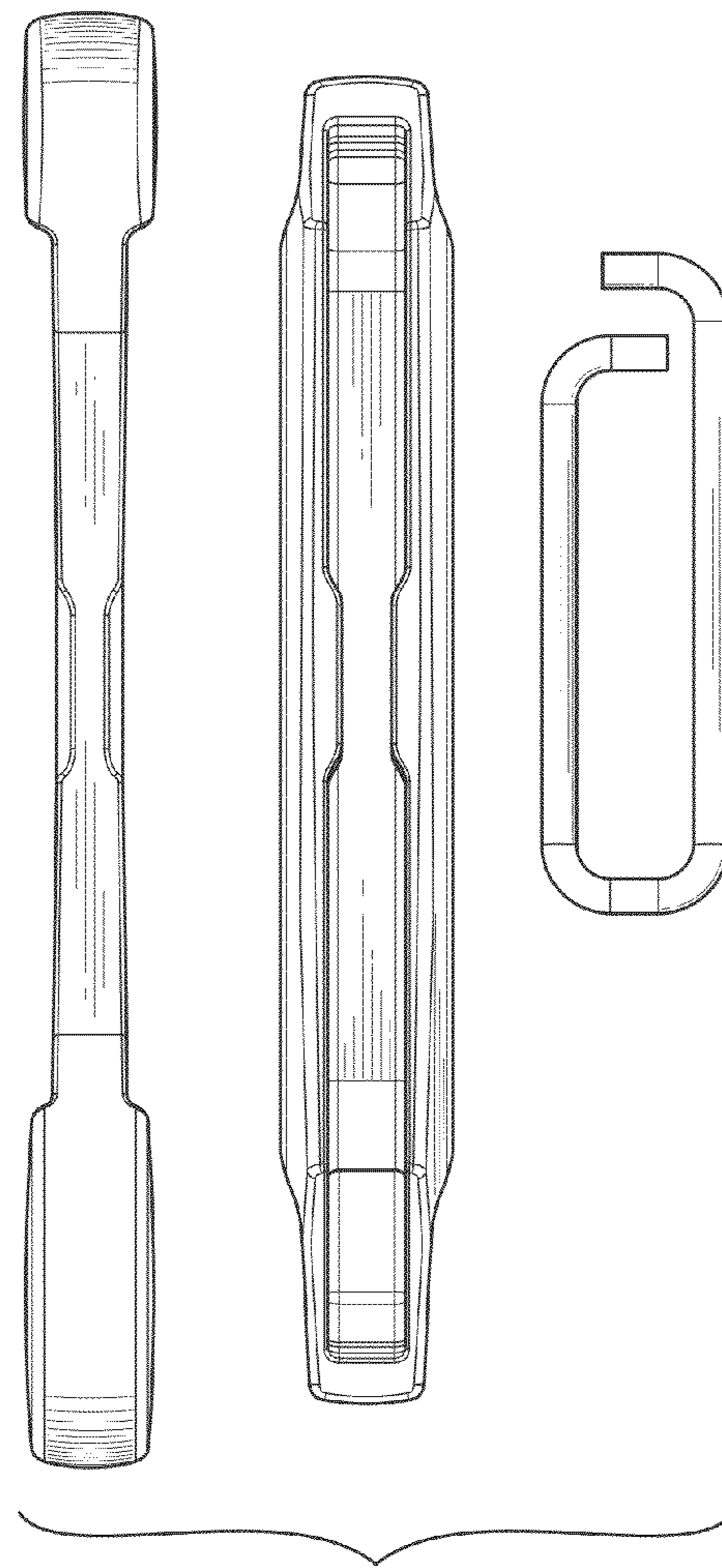


FIG. 10

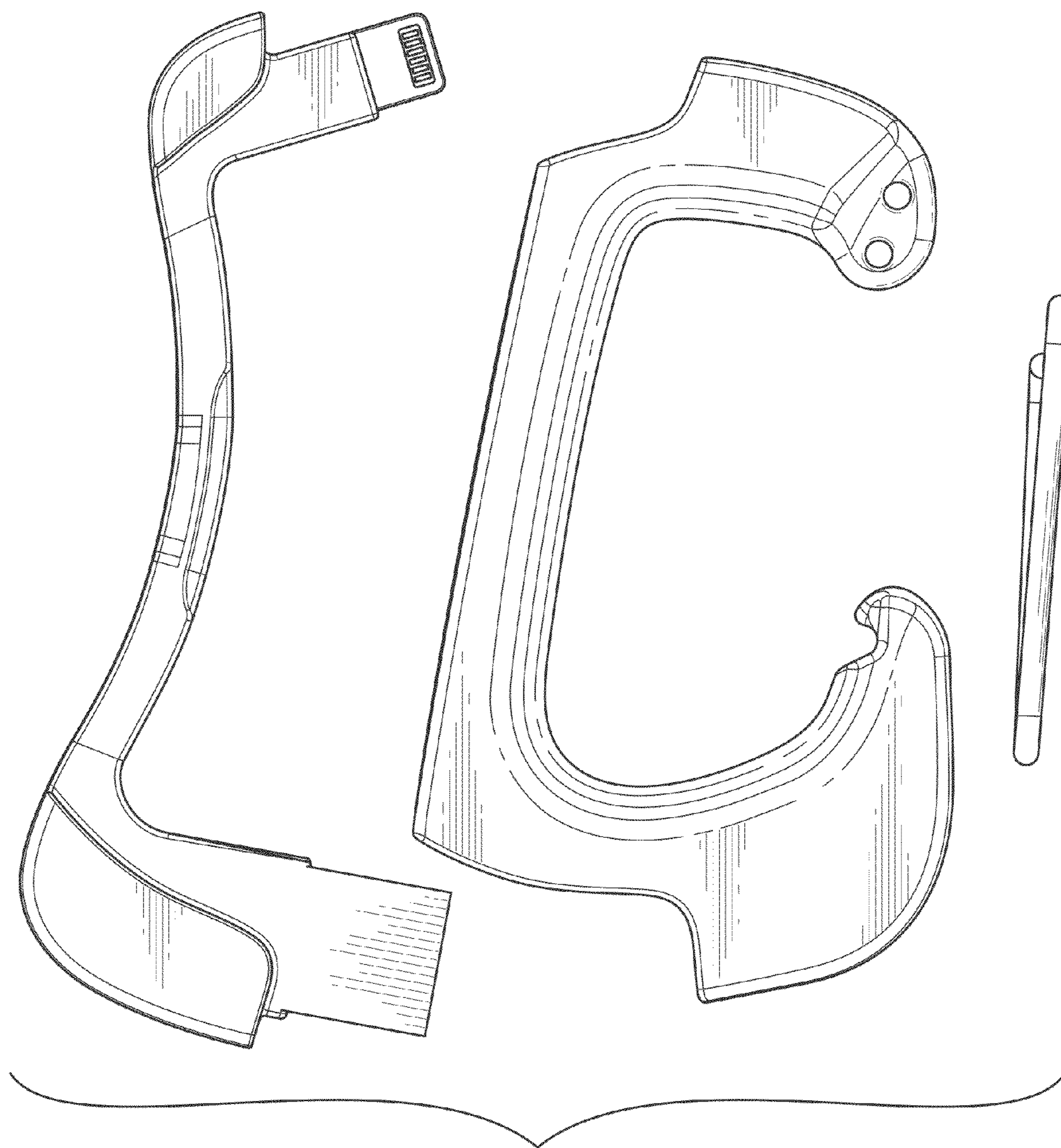


FIG. 11

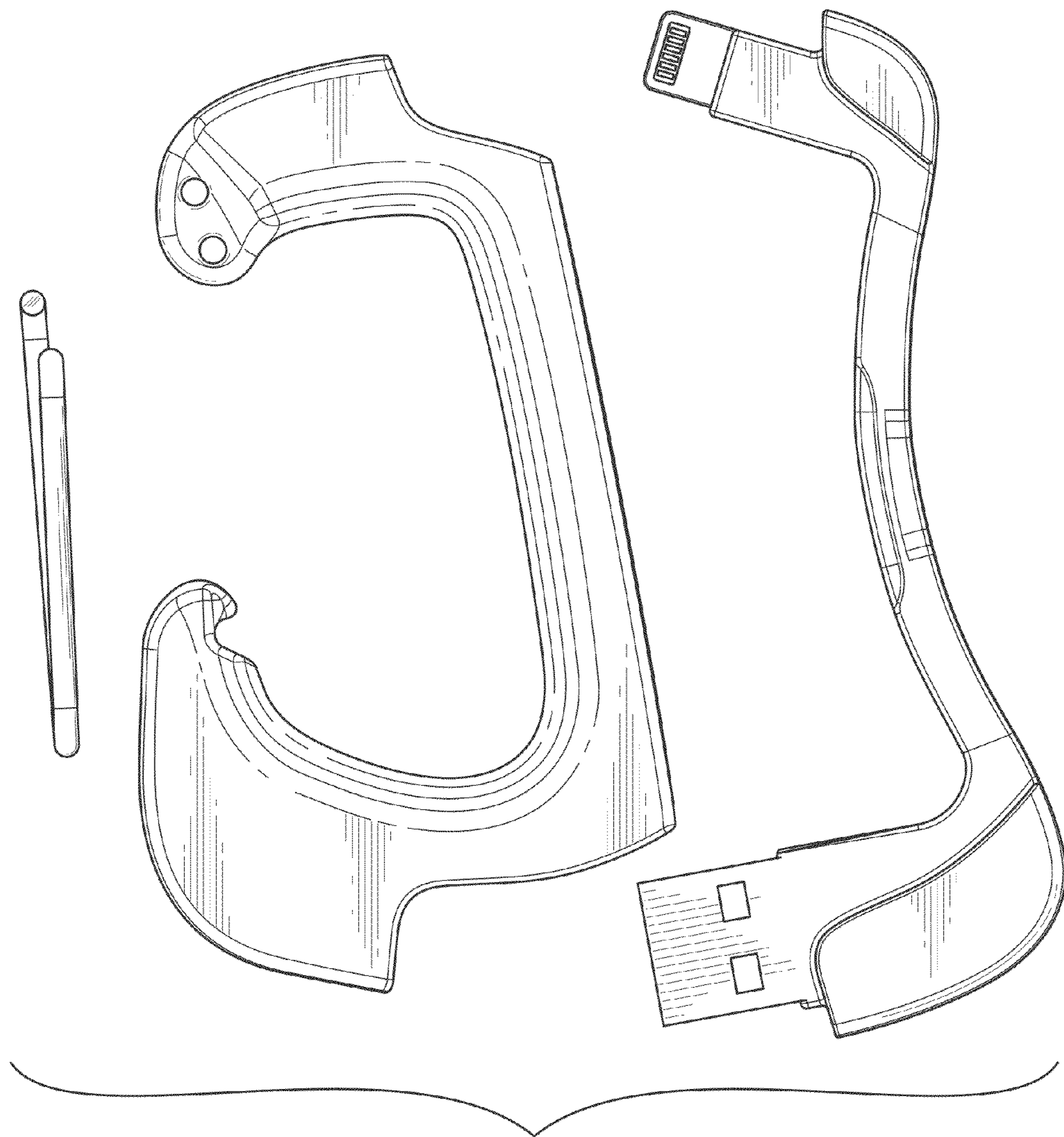


FIG. 12

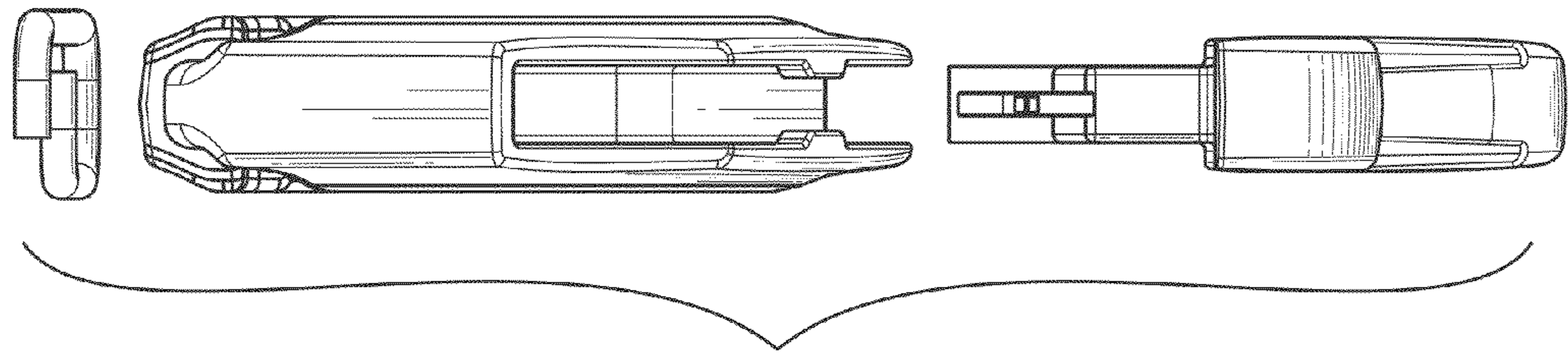


FIG. 13

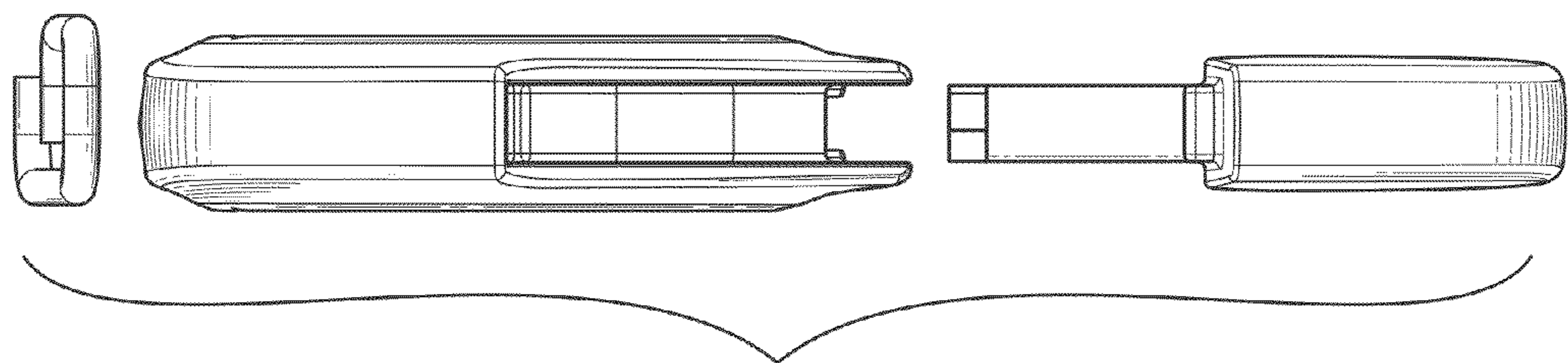


FIG. 14

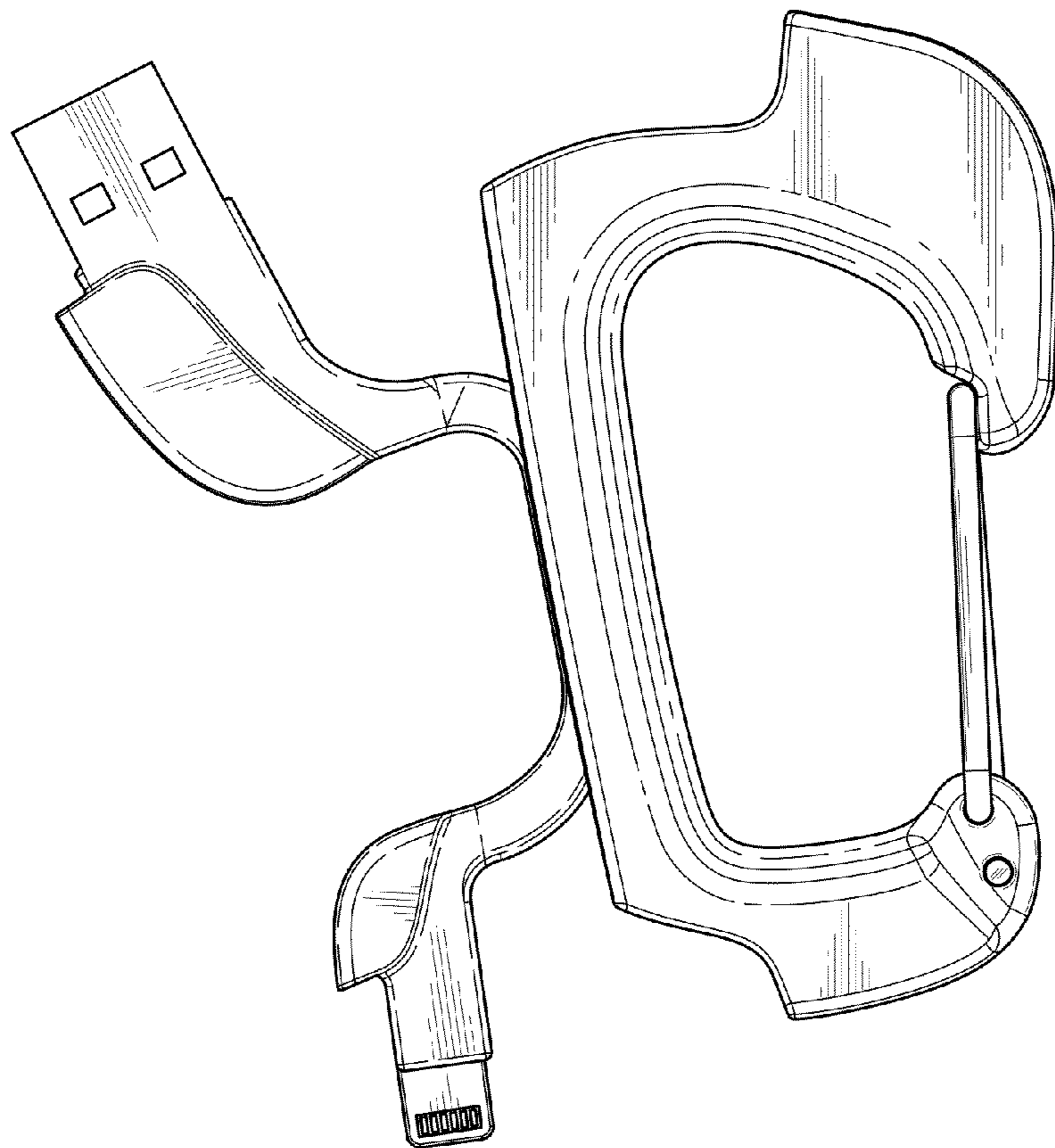


FIG. 15