



US00D758306S

(12) **United States Design Patent**  
**Collé**

(10) **Patent No.:** **US D758,306 S**  
(45) **Date of Patent:** **\*\* Jun. 7, 2016**

(54) **CHARGER**

(71) Applicant: **WAHL GmbH**, Unterkirnach (DE)

(72) Inventor: **Carine Collé**, Sanem (LU)

(73) Assignee: **Wahl GmbH**, Unterkirnach (DE)

(\*\*) Term: **14 Years**

(21) Appl. No.: **29/489,434**

(22) Filed: **Apr. 30, 2014**

(30) **Foreign Application Priority Data**

Nov. 18, 2013 (EM) ..... 001393995

(51) **LOC (10) Cl.** ..... **13-02**

(52) **U.S. Cl.**  
USPC ..... **D13/108**

(58) **Field of Classification Search**  
USPC ..... D13/107-110, 118-119, 182, 199;  
D14/251, 253, 432, 434; 320/107-115  
CPC ..... Y02E 60/12; Y02T 90/14; Y02T 90/122;  
Y02T 90/128; Y02T 90/163; H02J 7/025;  
H02J 7/0042; H02J 7/0044; H02J 7/0045;  
H02J 7/0003; H01F 38/14; H01R 13/6675;  
H01M 2/1022; H01M 2/1055; H01M 10/44;  
H01M 10/46; H01M 10/425; B60L 11/182  
See application file for complete search history.

(56) **References Cited**

U.S. PATENT DOCUMENTS

D488,439 S *	4/2004	Orthey	.....	D13/107
D515,502 S *	2/2006	Wen	.....	D13/108
D547,265 S *	7/2007	Aglassinger	.....	D13/108
D615,491 S *	5/2010	Emminger	.....	D13/108
D634,271 S *	3/2011	Kessler et al.	.....	D13/108
D676,377 S *	2/2013	Nokuo	.....	D13/108
D697,474 S *	1/2014	Manneschi	.....	D13/108

\* cited by examiner

*Primary Examiner* — Rosemary K Tarcza

(74) *Attorney, Agent, or Firm* — Muirhead and Saturnelli, LLC

(57) **CLAIM**

The ornamental design for a charger, as shown and described.

**DESCRIPTION**

FIG. 1 is a perspective view showing a new design for a charger.

FIG. 2 is a front elevational view thereof.

FIG. 3 is a back elevational view thereof.

FIG. 4 is a left side elevational view thereof.

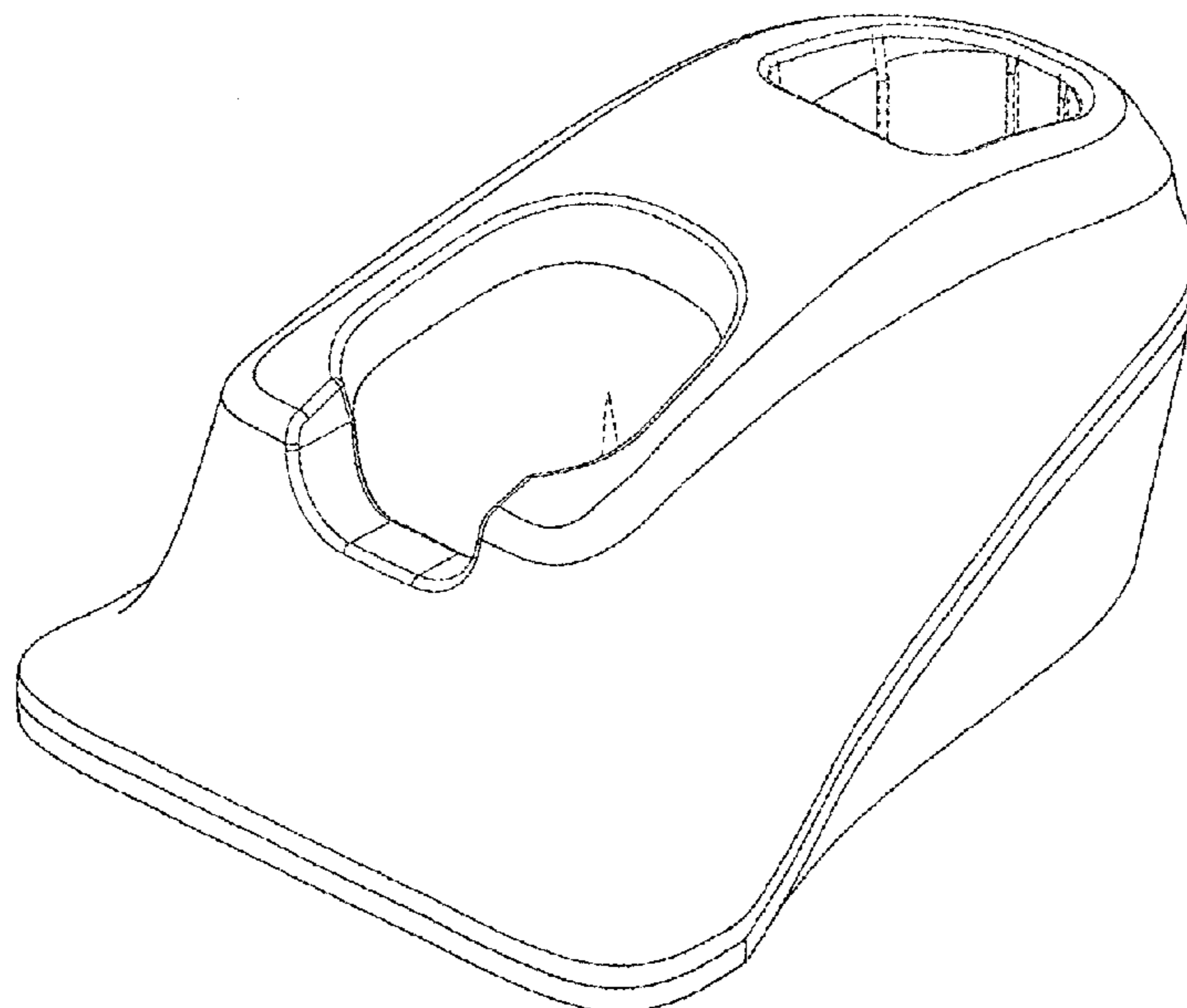
FIG. 5 is a right side elevational view thereof.

FIG. 6 is a top plan view thereof; and,

FIG. 7 is a bottom plan view thereof.

The broken lines shown in the drawings illustrate portions of environmental structure and form no part of the claimed design.

**1 Claim, 7 Drawing Sheets**



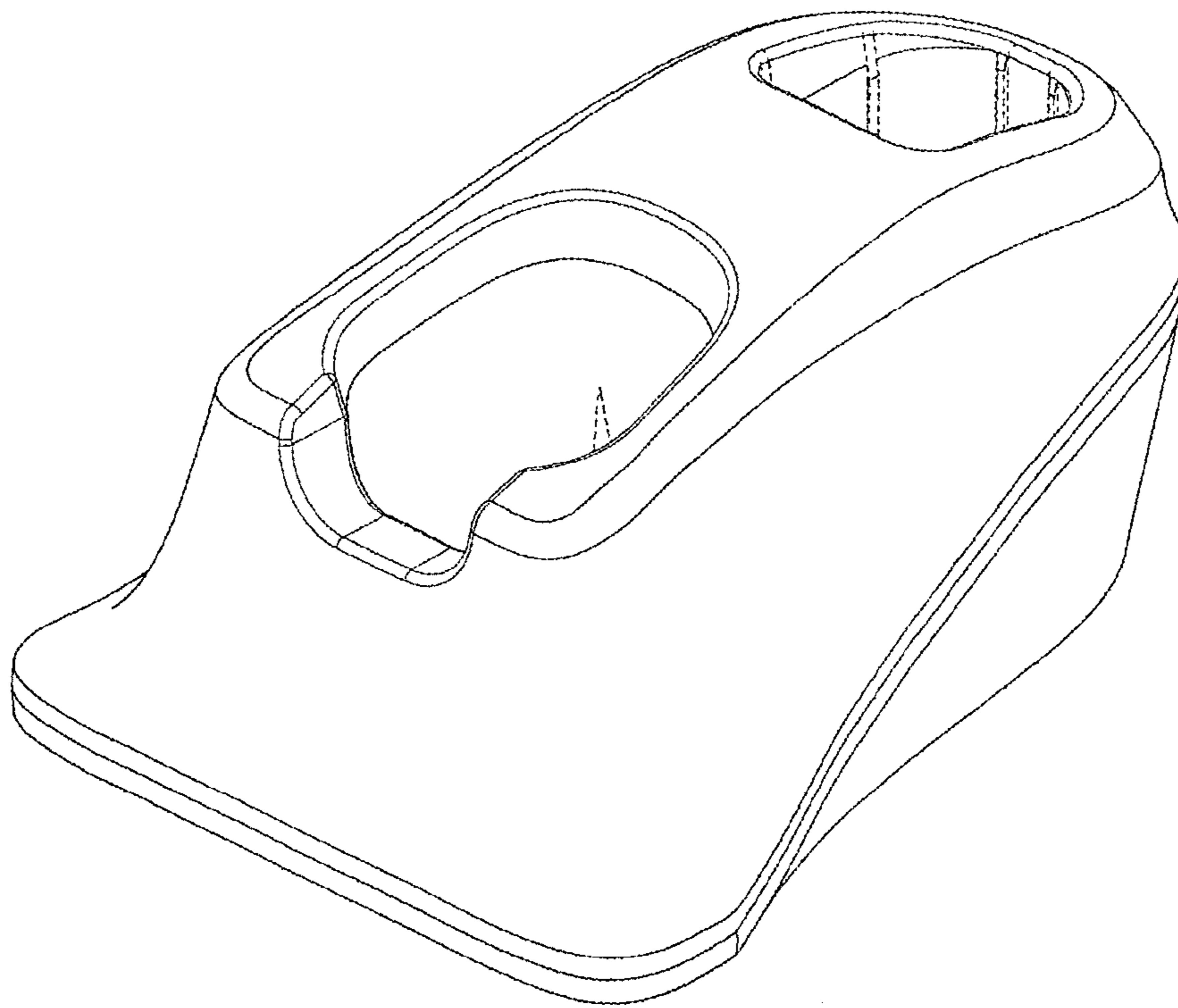


FIG. 1

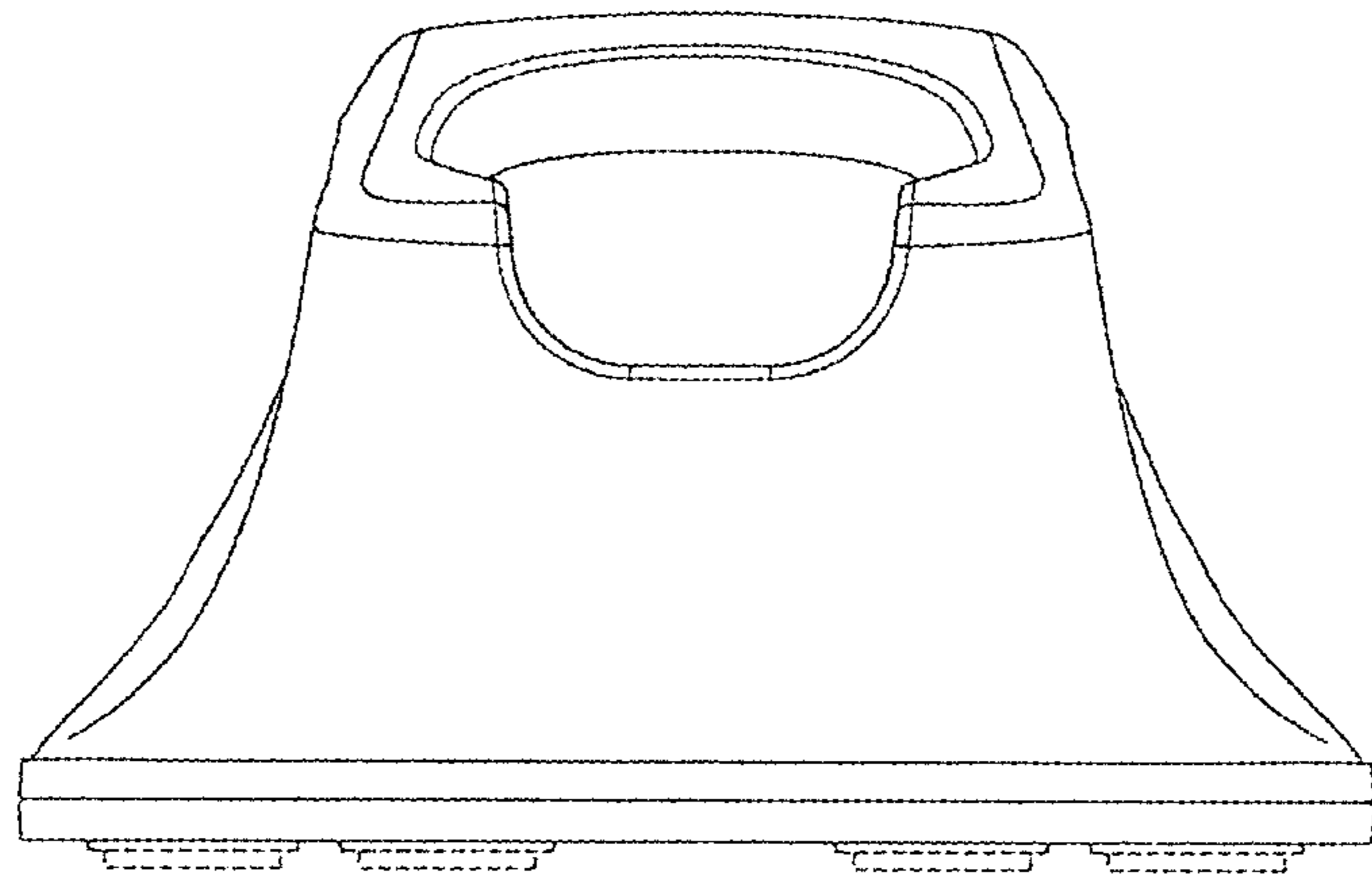


FIG. 2

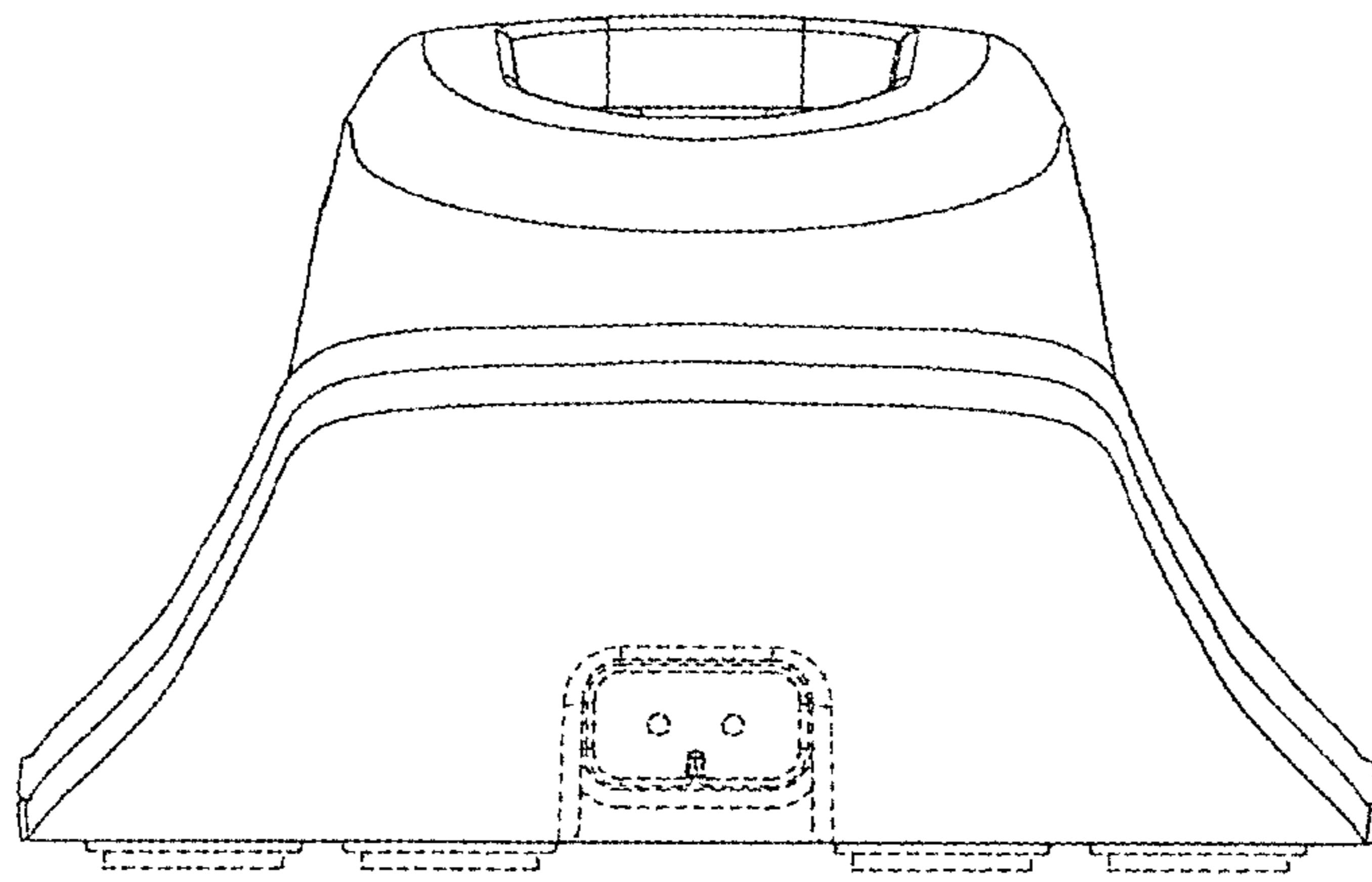


FIG. 3

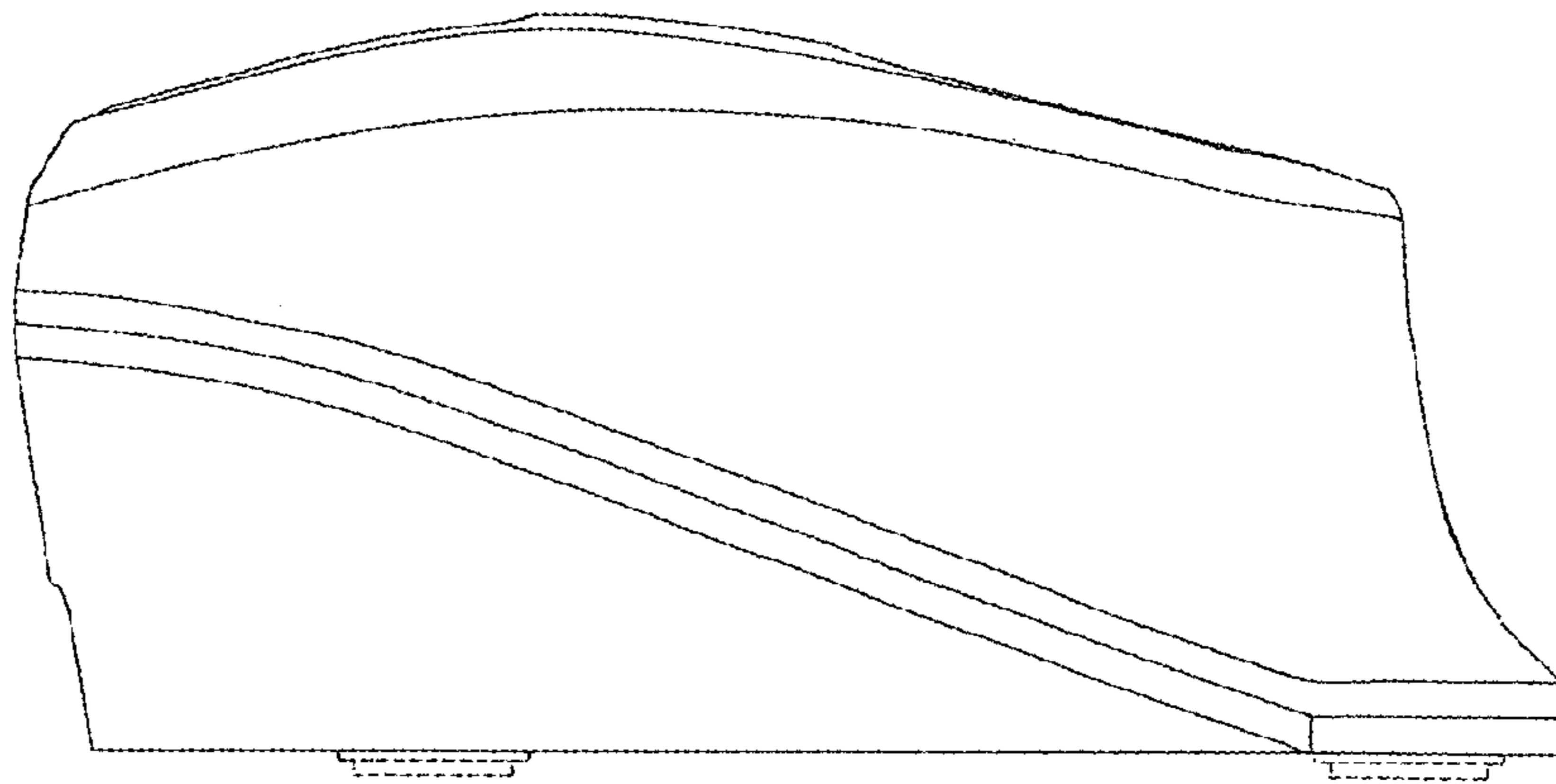


FIG. 4

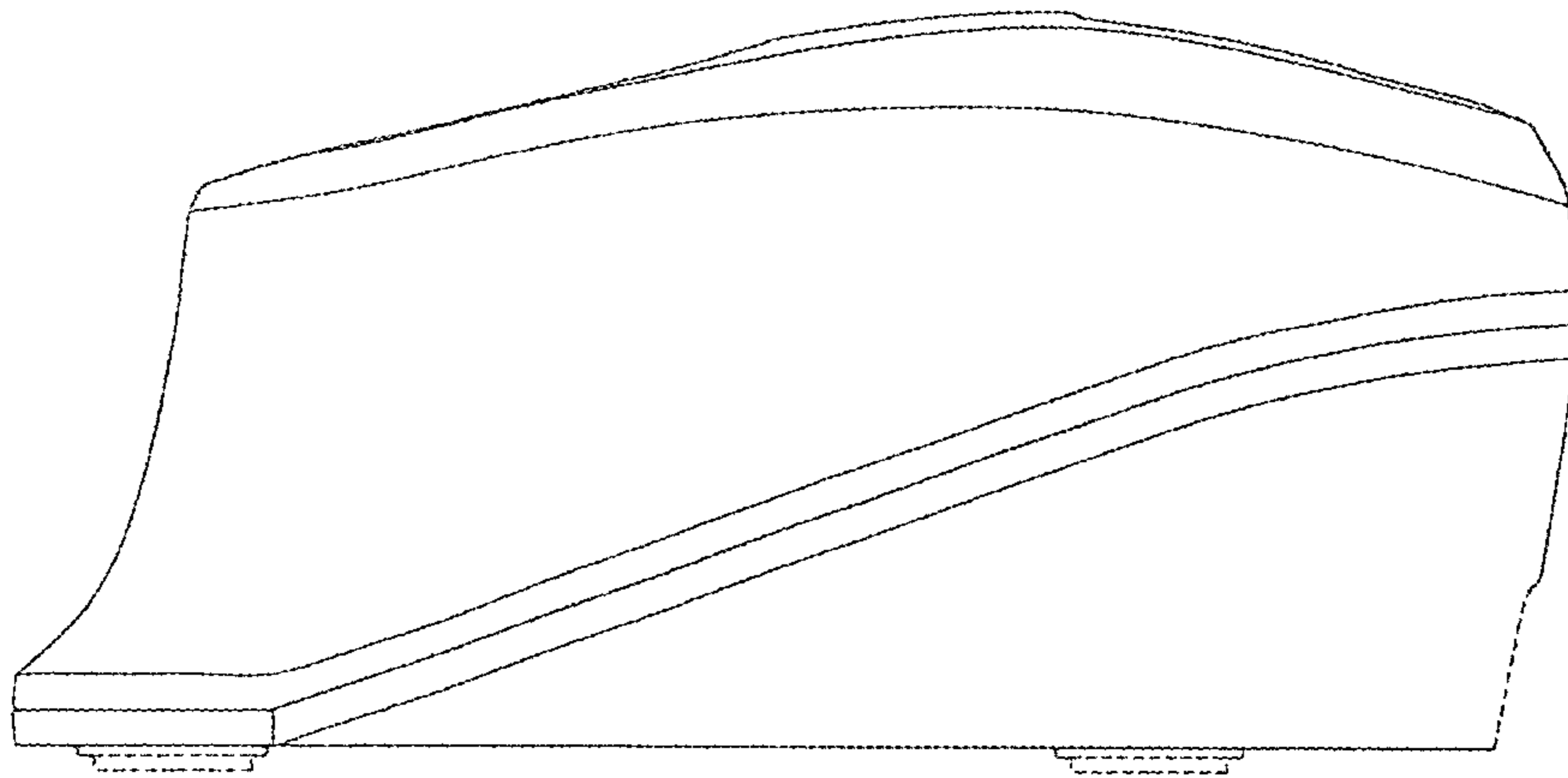


FIG. 5

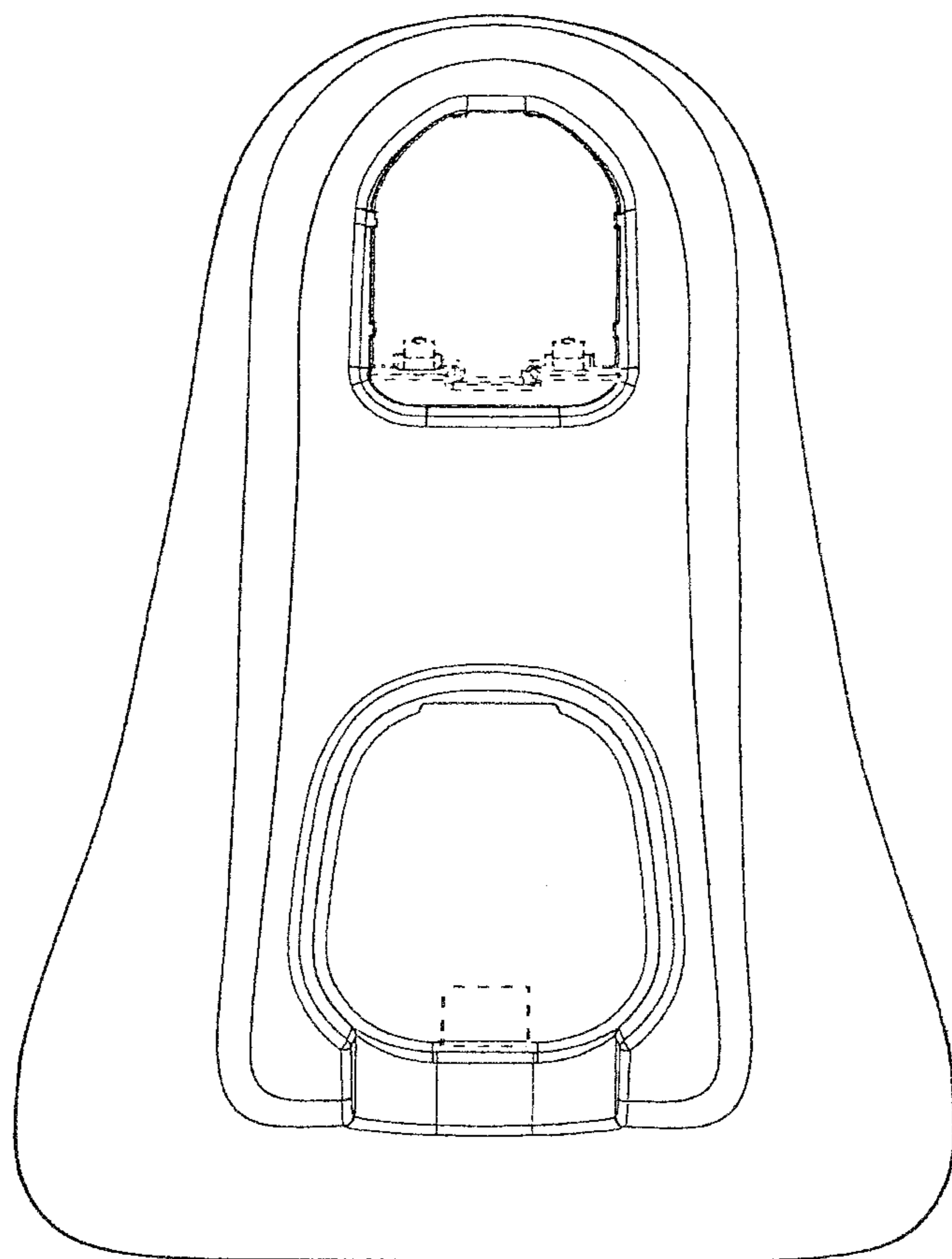


FIG. 6

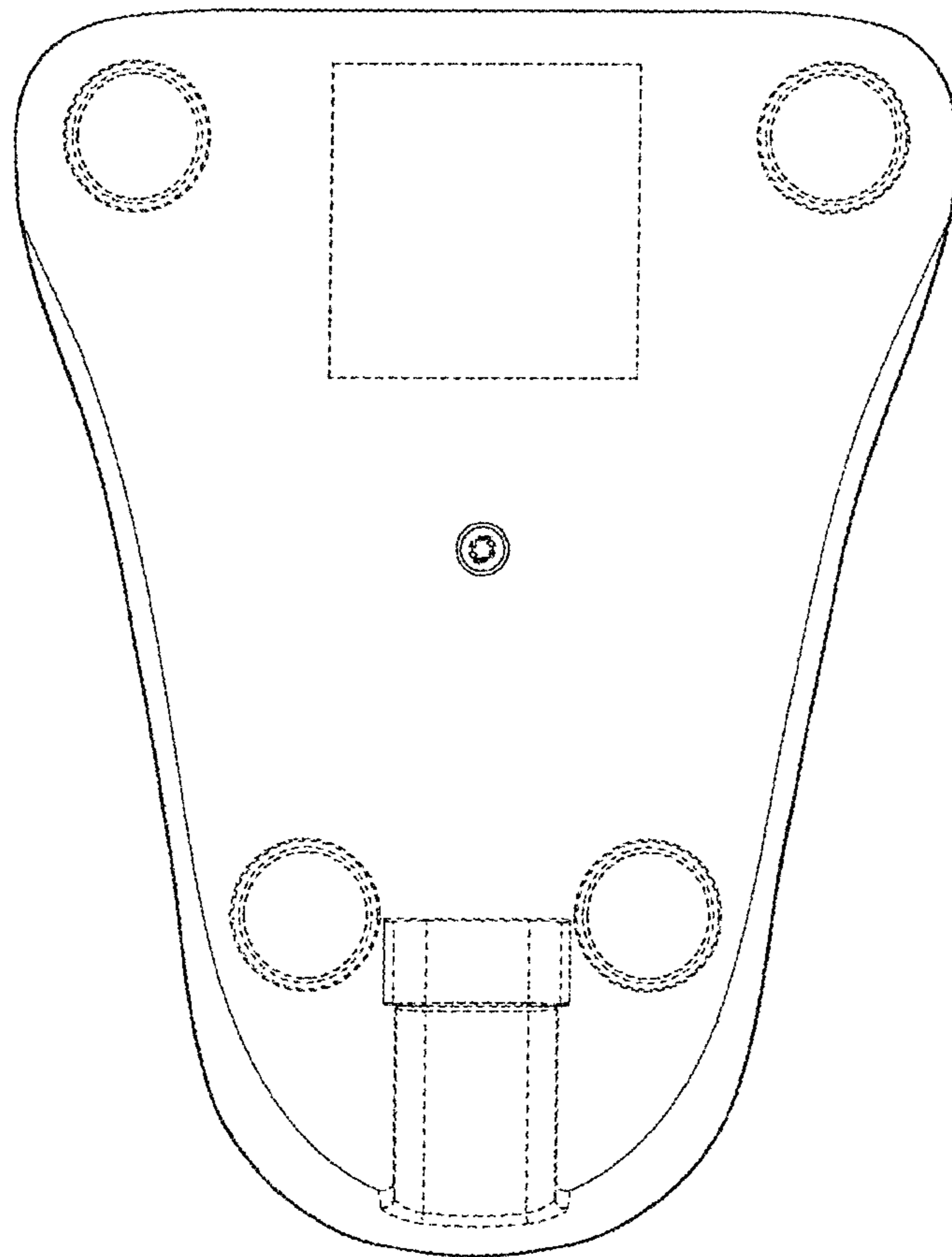


FIG. 7