



US00D758305S

(12) **United States Design Patent**
Dorn et al.

(10) **Patent No.:** **US D758,305 S**
(45) **Date of Patent:** **** Jun. 7, 2016**

(54) **CHARGER**

(71) Applicant: **Raffel Systems, LLC**, Germantown, WI (US)

(72) Inventors: **Douglas A. Dorn**, Brookfield, WI (US);
Paul F. Stangl, West Bend, WI (US)

(73) Assignee: **RAFFEL SYSTEMS, LLC**,
Germantown, WI (US)

(**) Term: **14 Years**

(21) Appl. No.: **29/520,386**

(22) Filed: **Mar. 13, 2015**

(51) **LOC (10) Cl.** **13-02**

(52) **U.S. Cl.**
USPC **D13/107**

(58) **Field of Classification Search**

USPC D13/102–110, 118–119, 184, 199, 133,
D13/144; D14/251, 253, 432, 434, 356,
D14/155, 163, 176, 250; 439/300, 620.01,
439/638, 668–669, 675, 825; 320/107–115
CPC Y02E 60/12; Y02E 60/10; Y02E 60/122;
Y02E 60/124; Y02E 60/50; Y02T 90/14;
Y02T 90/122; Y02T 90/128; Y02T 90/163;
H02J 7/025; H02J 7/0042; H02J 7/0044;
H02J 7/0045; H02J 7/0003; H01F 38/14;
H01R 13/6675; H01M 2/1022; H01M 2/1055;
H01M 10/44; H01M 10/46; H01M 10/425;
B60L 11/182

See application file for complete search history.

(56) **References Cited**

U.S. PATENT DOCUMENTS

D272,732 S *	2/1984	Moore	D13/152
5,903,133 A *	5/1999	Amero, Jr.	H02J 7/0044 320/107
D473,845 S *	4/2003	Bender	D13/133
D524,243 S *	7/2006	Lee	D13/108
D531,117 S *	10/2006	Schrick	D13/103
D602,858 S *	10/2009	Ellis	D13/108
D625,264 S *	10/2010	Fredell	D13/119
D625,266 S *	10/2010	Bau	D13/108
D653,209 S *	1/2012	Lee	D13/110
D677,621 S *	3/2013	Beroukas	D13/107
D678,190 S *	3/2013	Beroukas	D13/107
D678,207 S *	3/2013	McSweyn	D13/144
2014/0141653 A1 *	5/2014	Hsieh	H01R 31/065 439/638

* cited by examiner

Primary Examiner — Rosemary K Tarcza

Assistant Examiner — Sanjeev Paul

(74) *Attorney, Agent, or Firm* — Tyler J. Sisk; Casimir Jones, S.C.

(57) **CLAIM**

The ornamental design for a charger, as shown and described.

DESCRIPTION

FIG. 1 is a three-quarter perspective view showing our new design of a charger;

FIG. 2 is a front elevational view thereof;

FIG. 3 is a rear elevational view thereof;

FIG. 4 is a left side elevational view thereof;

FIG. 5 is a right side elevational view thereof;

FIG. 6 is a top plan view thereof; and,

FIG. 7 is a bottom plan view thereof.

The broken lines shown in FIGS. 1 through 7 are for the purpose of illustrating environment, and form no part of the claimed design.

1 Claim, 7 Drawing Sheets

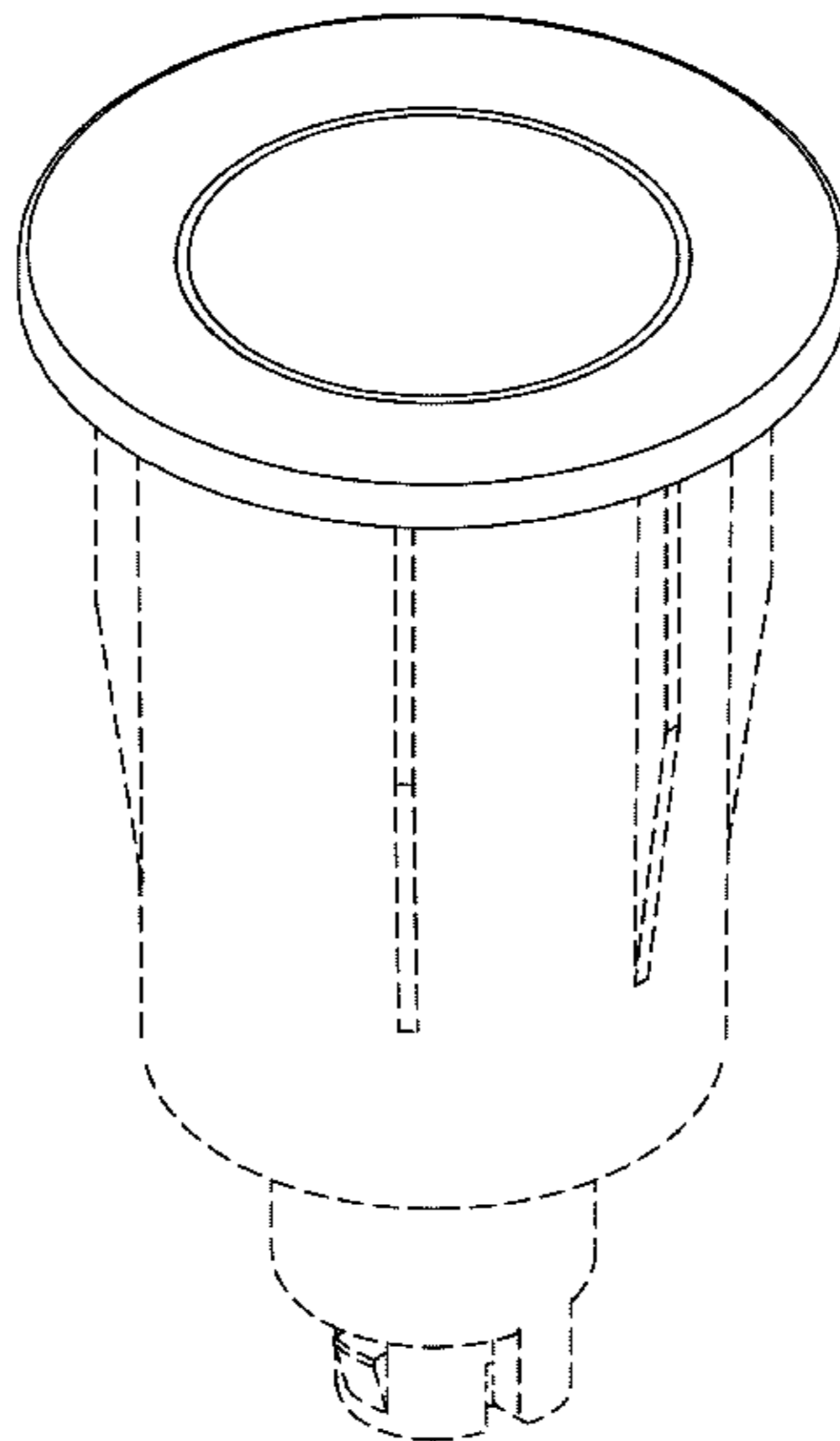


FIG. 1

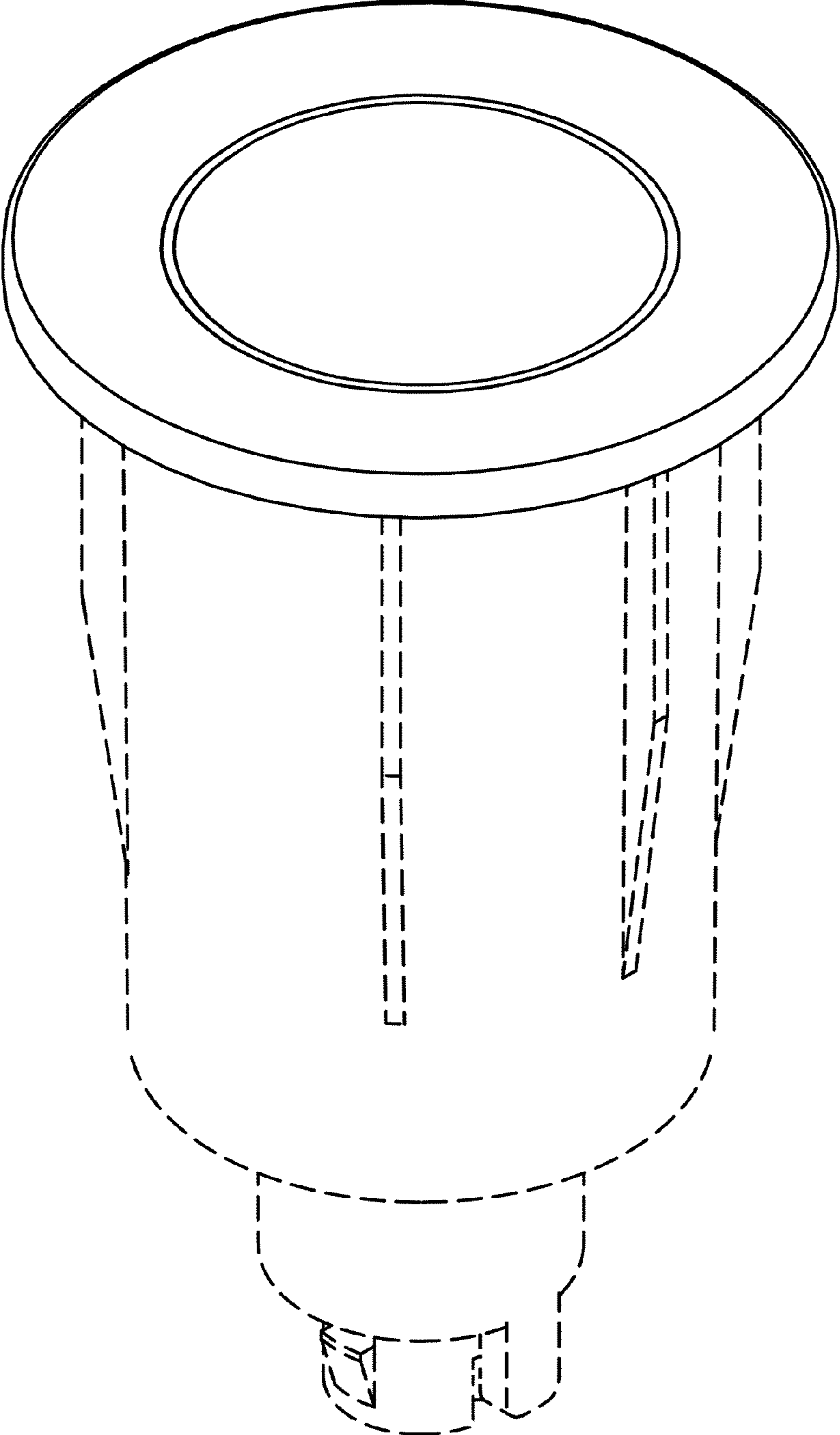


FIG. 2

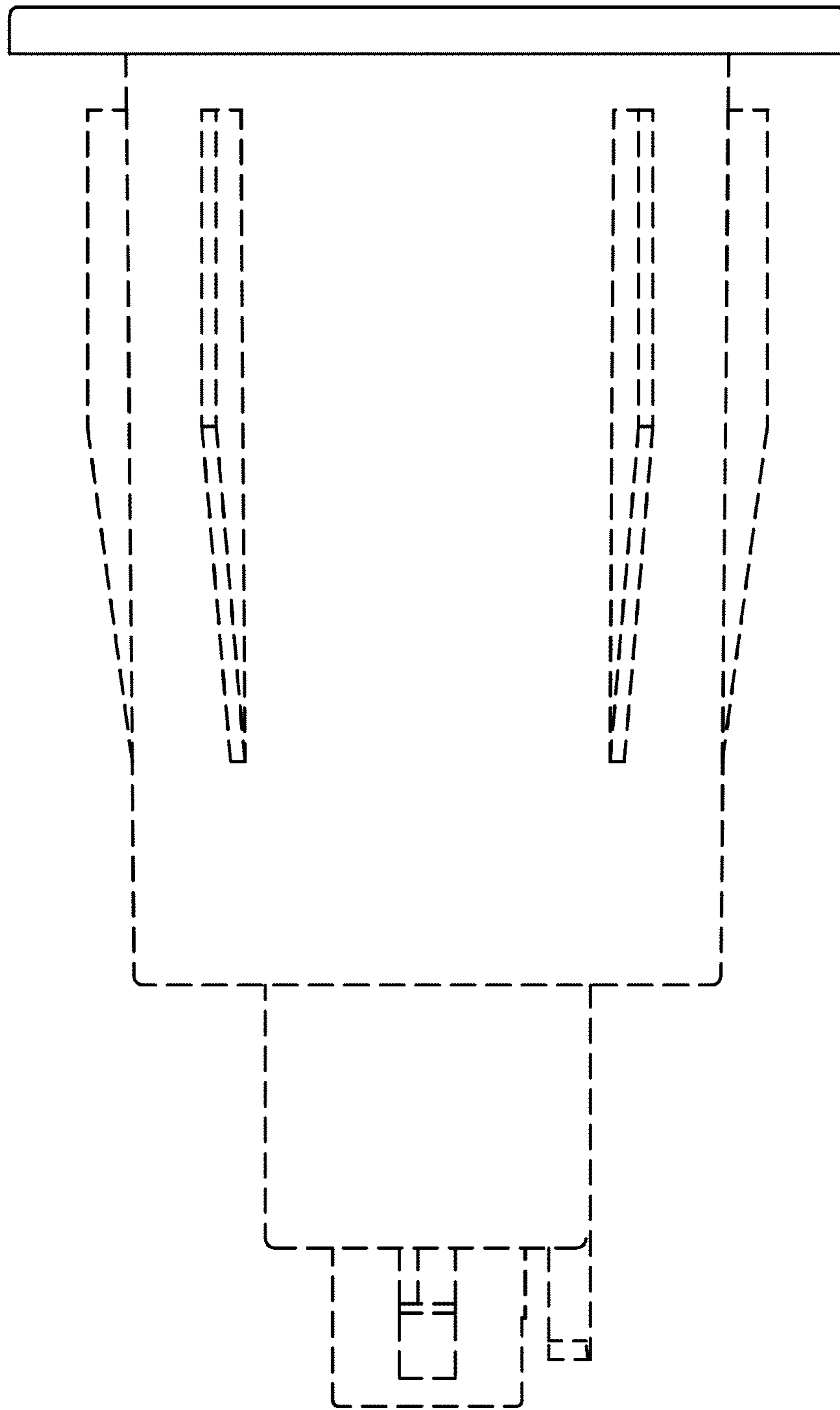


FIG. 3

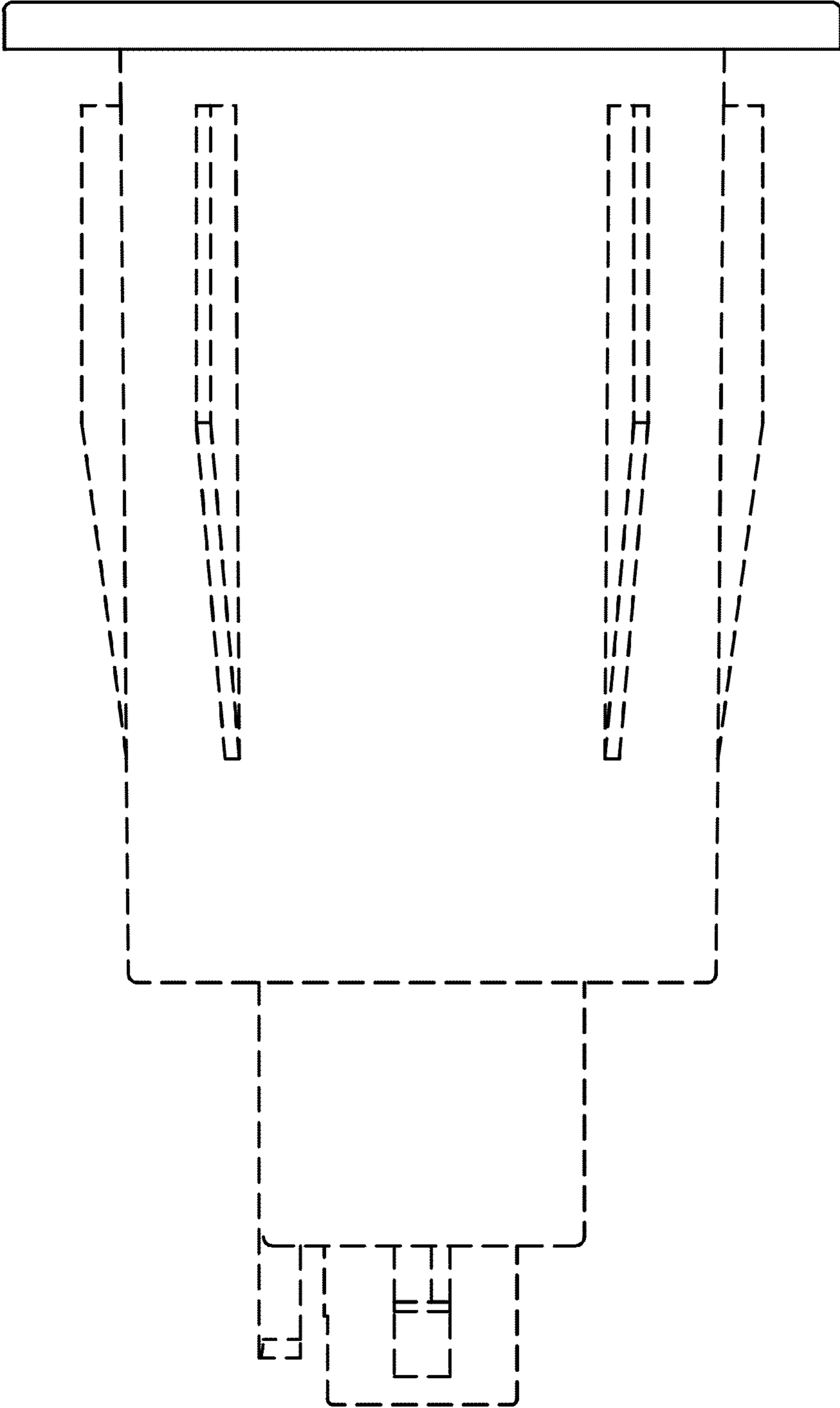


FIG. 4

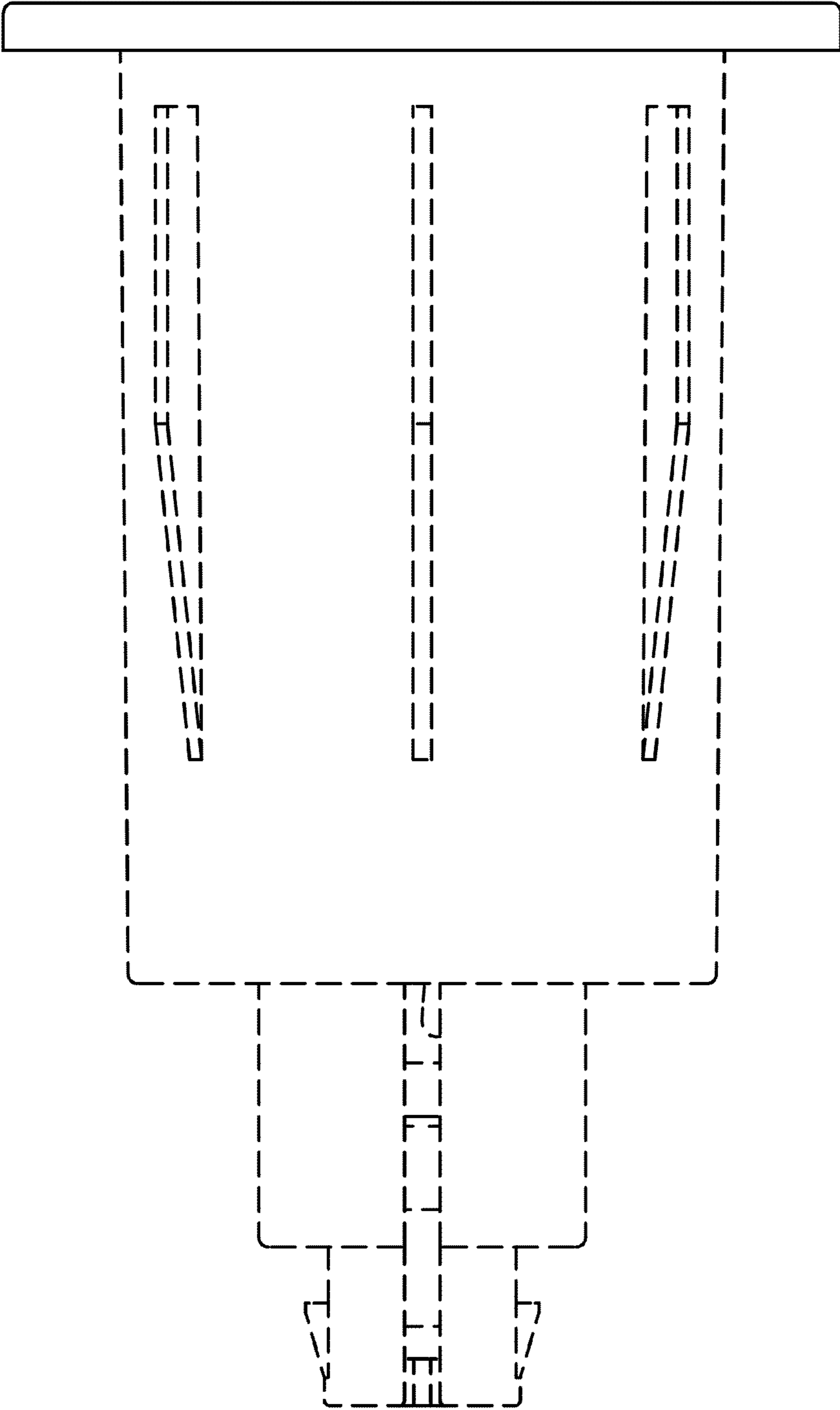


FIG. 5

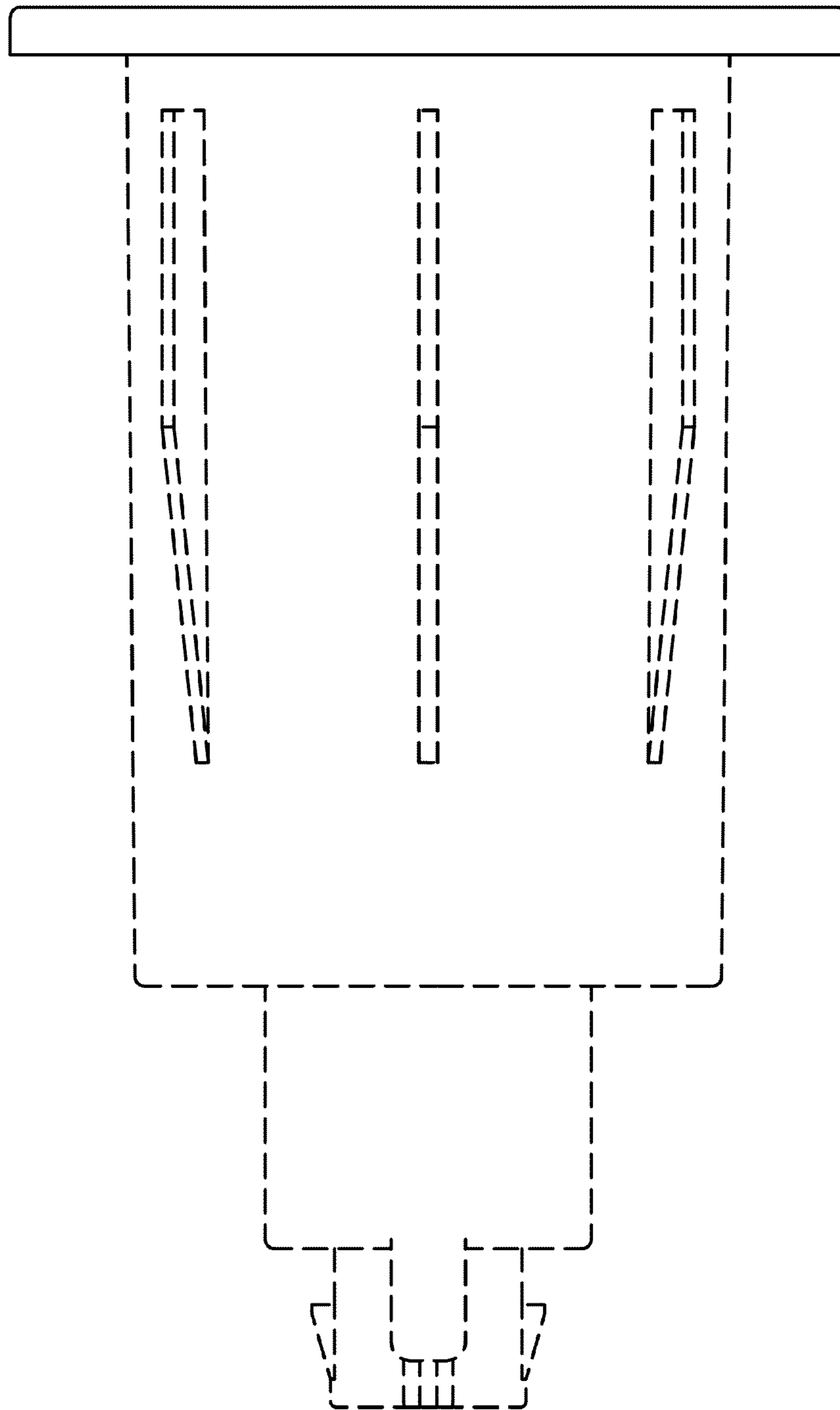


FIG. 6

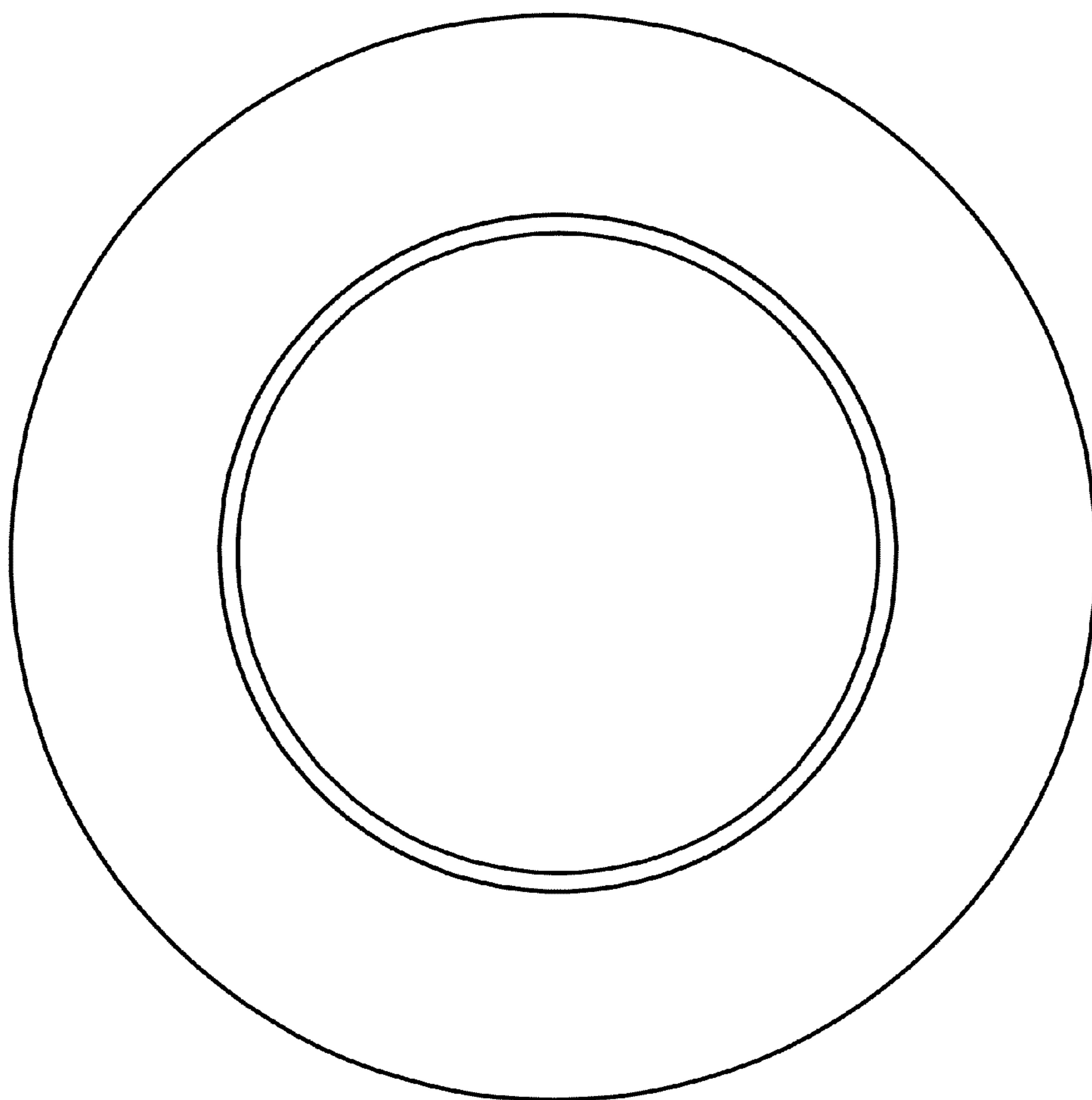


FIG. 7

