



US00D758304S

(12) **United States Design Patent**  
**Wright**

(10) **Patent No.:** **US D758,304 S**  
(45) **Date of Patent:** **\*\* Jun. 7, 2016**

- (54) **BATTERY CHARGER**
- (71) Applicant: **ELITE LIFESTYLE PRODUCTS**  
**L.P., Montreal (CA)**
- (72) Inventor: **Clifford A Wright, San Diego, CA (US)**
- (73) Assignee: **ELITE LIFESTYLE PRODUCTS**  
**L.P., Montreal (CA)**
- (\*\*) Term: **14 Years**
- (21) Appl. No.: **29/497,976**
- (22) Filed: **Jul. 30, 2014**
- (51) **LOC (10) Cl.** ..... **13-02**
- (52) **U.S. Cl.**  
USPC ..... **D13/107**

D411,507	S	*	6/1999	Reis et al.	.....	D13/107
D423,450	S	*	4/2000	Buckle	.....	D13/103
D440,202	S	*	4/2001	Heun	.....	D13/107
D440,936	S	*	4/2001	Burns	.....	D13/108
D446,184	S	*	8/2001	Parker	.....	D13/107
D480,358	S	*	10/2003	Klant	.....	D13/110
D558,208	S	*	12/2007	Ikeda et al.	.....	D14/434
7,397,654	B2	*	7/2008	Mori	.....	361/679.01
D600,204	S	*	9/2009	Woon	.....	D13/107
D668,218	S	*	10/2012	Dai et al.	.....	D13/107
D672,308	S	*	12/2012	Cobbett et al.	.....	D13/107
D685,736	S	*	7/2013	Inskeep	.....	D13/110
2005/0253555	A1	*	11/2005	Lee et al.	.....	320/115
2011/0133696	A1	*	6/2011	Scrimshaw et al.	.....	320/115
2014/0312842	A1	*	10/2014	Lee et al.	.....	320/110
2015/0035479	A1	*	2/2015	Wright	.....	320/107

\* cited by examiner

*Primary Examiner* — Rosemary K Tarcza  
*Assistant Examiner* — Sanjeev Paul

(74) *Attorney, Agent, or Firm* — McDonnell Boehnen Hulbert & Berghoff LLP

- (58) **Field of Classification Search**  
USPC ..... D13/102–110, 118–119, 184, 199, 133,  
D13/144; D14/251, 253, 432, 434, 356,  
D14/155; 439/300, 620.01, 638, 668–669,  
439/675, 825; 320/107–115  
CPC ..... Y02E 60/12; Y02E 60/10; Y02E 60/122;  
Y02E 60/124; Y02E 60/50; Y02T 90/14;  
Y02T 90/122; Y02T 90/128; Y02T 90/163;  
H02J 7/025; H02J 7/0042; H02J 7/0044;  
H02J 7/0045; H02J 7/0003; H01F 38/14;  
H01R 13/6675; H01M 2/1022; H01M 2/1055;  
H01M 10/44; H01M 10/46; H01M 10/425;  
B60L 11/182

See application file for complete search history.

(56) **References Cited**

**U.S. PATENT DOCUMENTS**

D394,423	S	*	5/1998	Nagele et al.	.....	D13/107
D394,425	S	*	5/1998	Snyder et al.	.....	D13/118
D406,812	S	*	3/1999	Nagele et al.	.....	D13/108
D410,225	S	*	5/1999	Yu	.....	D13/107

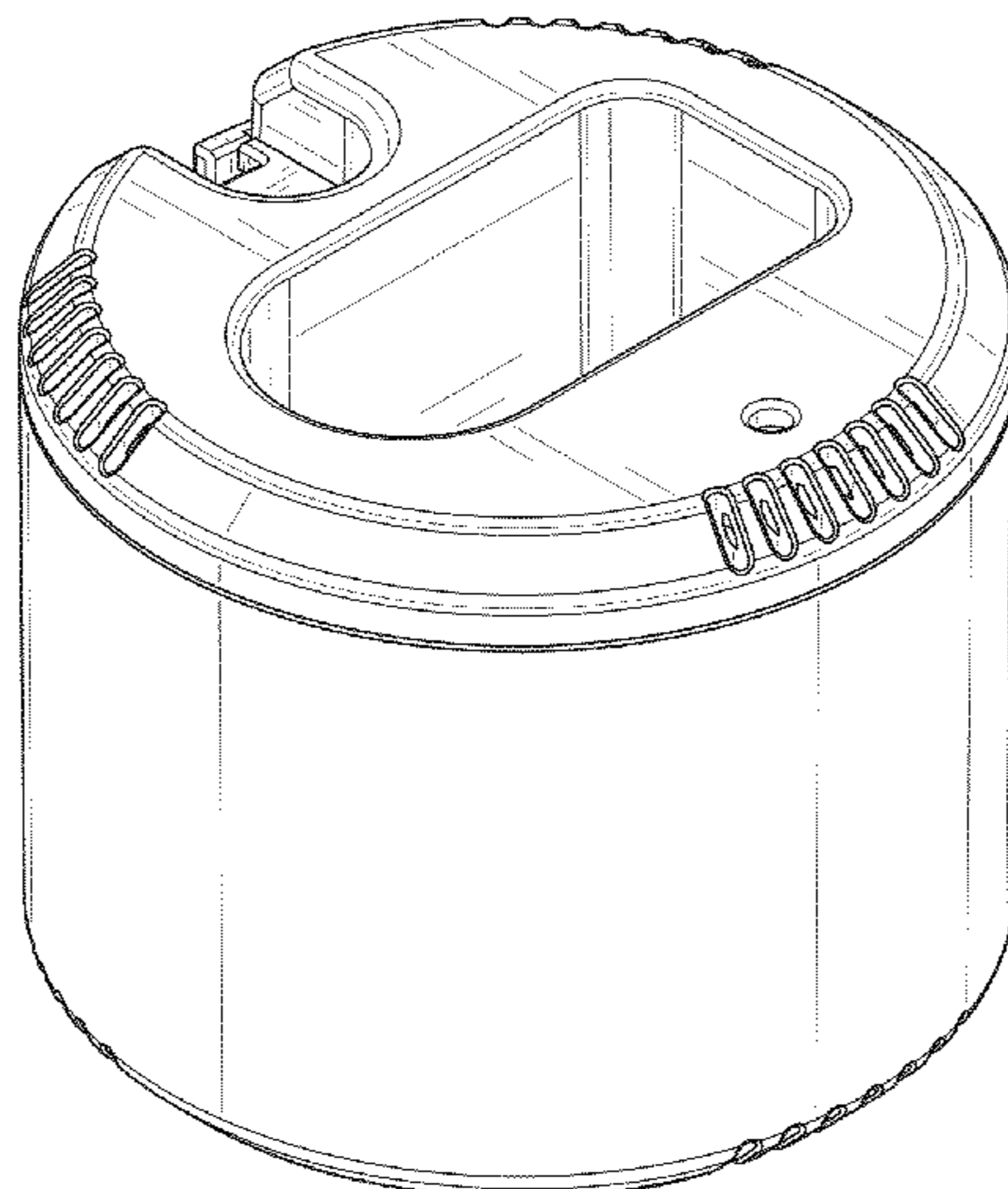
(57) **CLAIM**

I claim the design for a battery charger, as shown and described.

**DESCRIPTION**

FIG. 1 is a perspective view of a battery charger showing my new design;  
 FIG. 2 is a front view of the design of FIG. 1;  
 FIG. 3 is a right side view of the design of FIG. 1 the left side view being a mirror image thereof;  
 FIG. 4 is a rear view of the design of FIG. 1;  
 FIG. 5 is a top view of the design of FIG. 1;  
 FIG. 6 is a bottom view of the design of FIG. 1; and,  
 FIG. 7 is another perspective view of the design of FIG. 1.  
 The broken line portions are included to show environment and/or unclaimed subject matter only, and form no part of the claimed design.

**1 Claim, 7 Drawing Sheets**



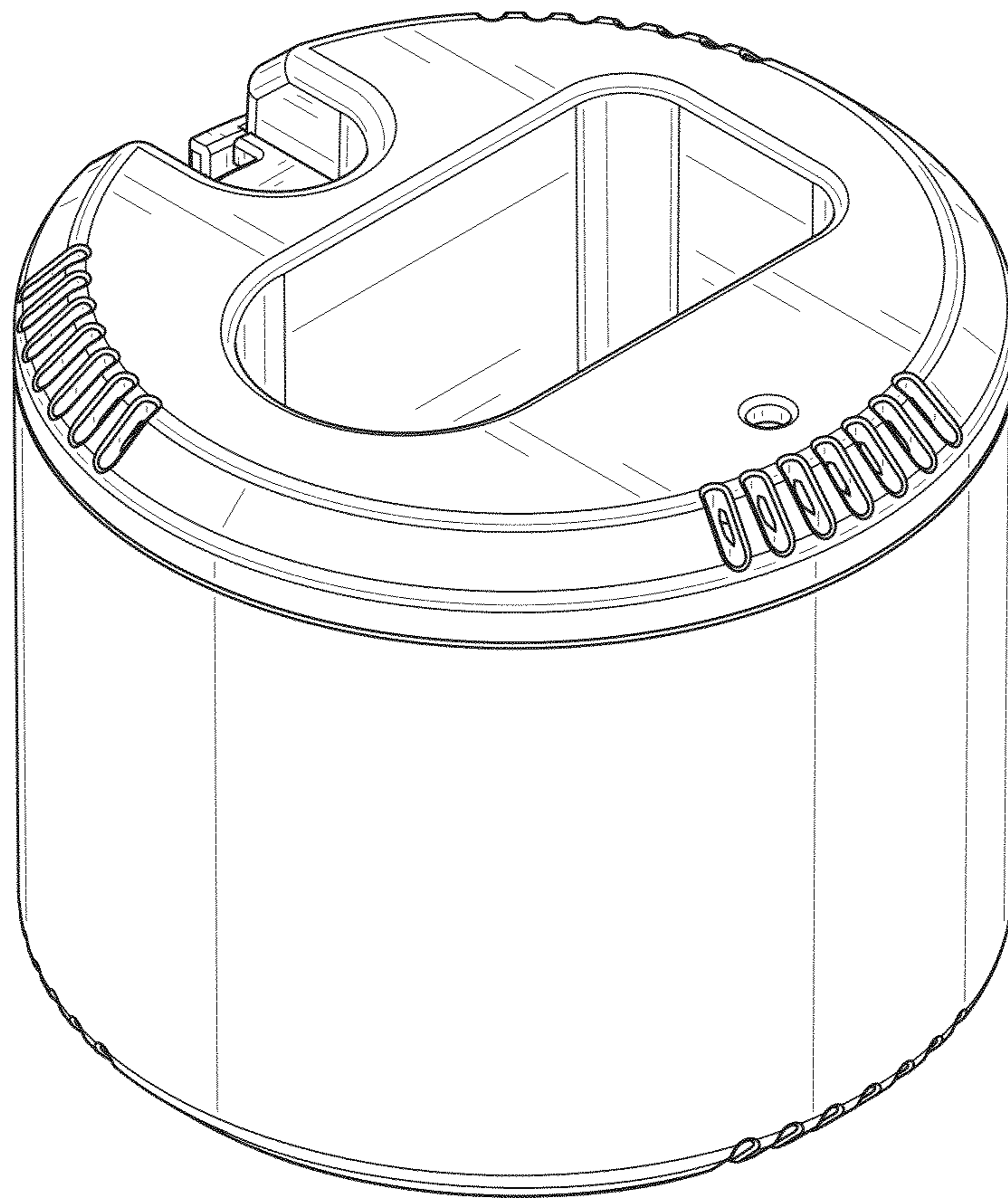


FIG. 1

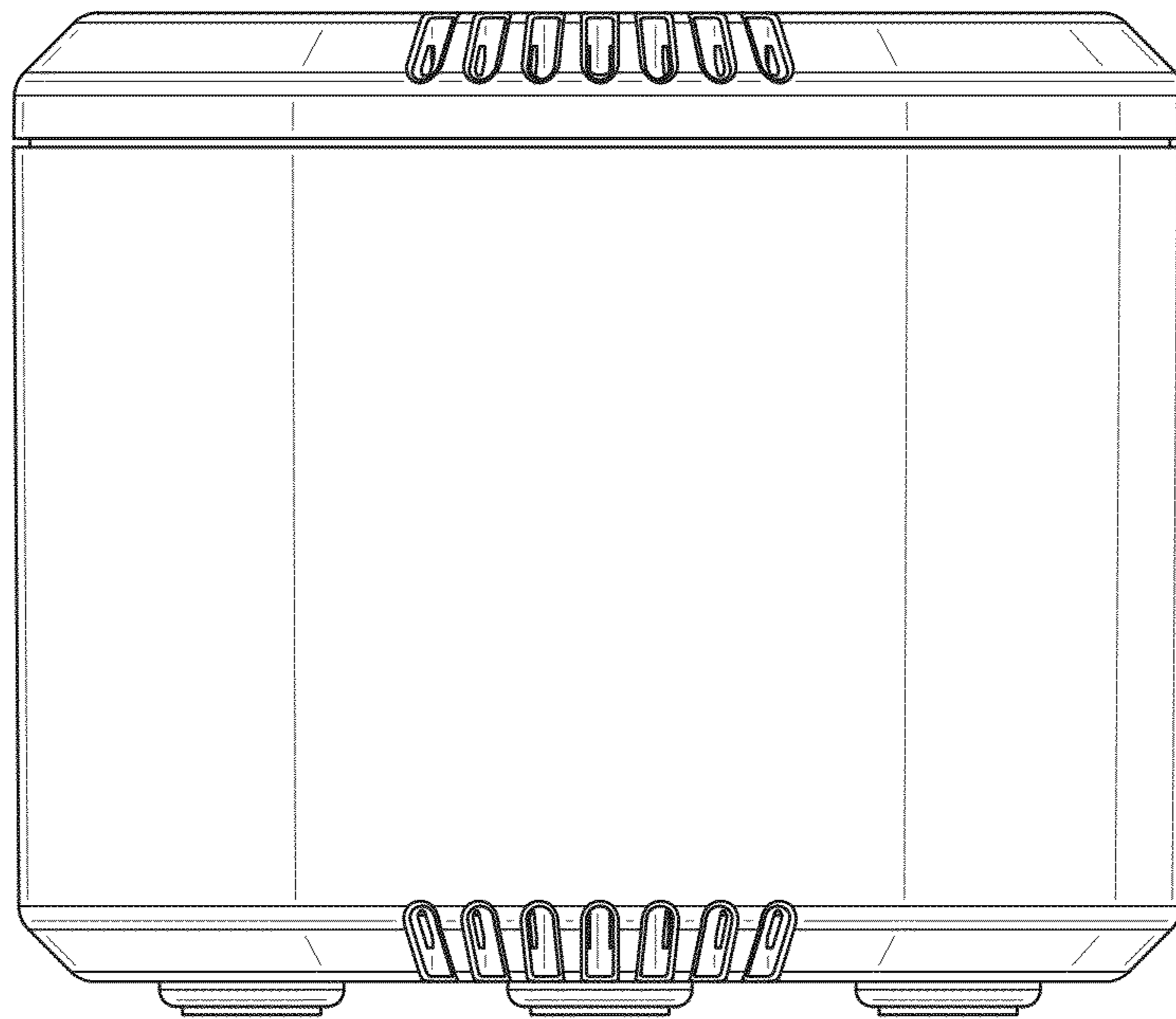


FIG. 2

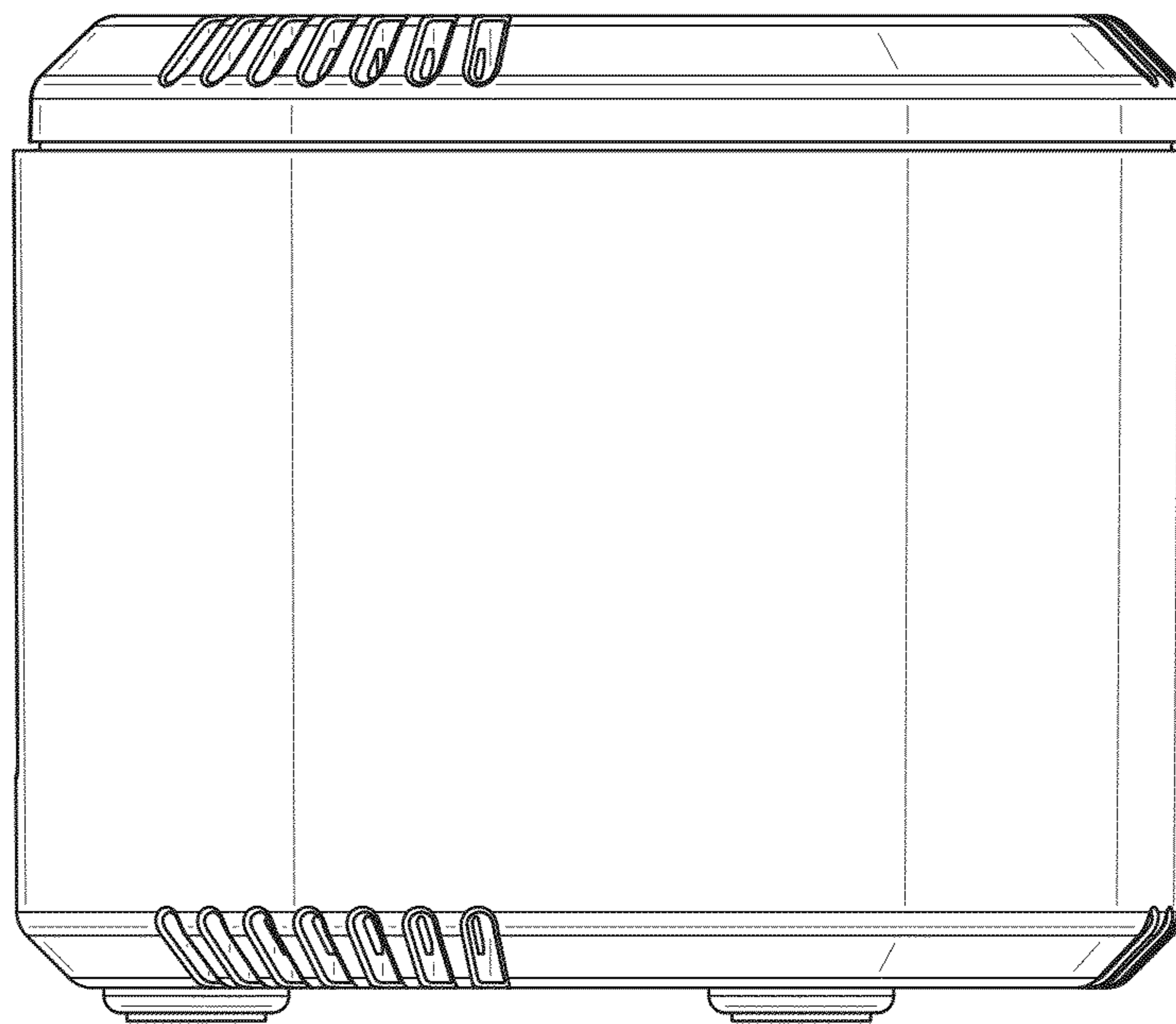


FIG. 3

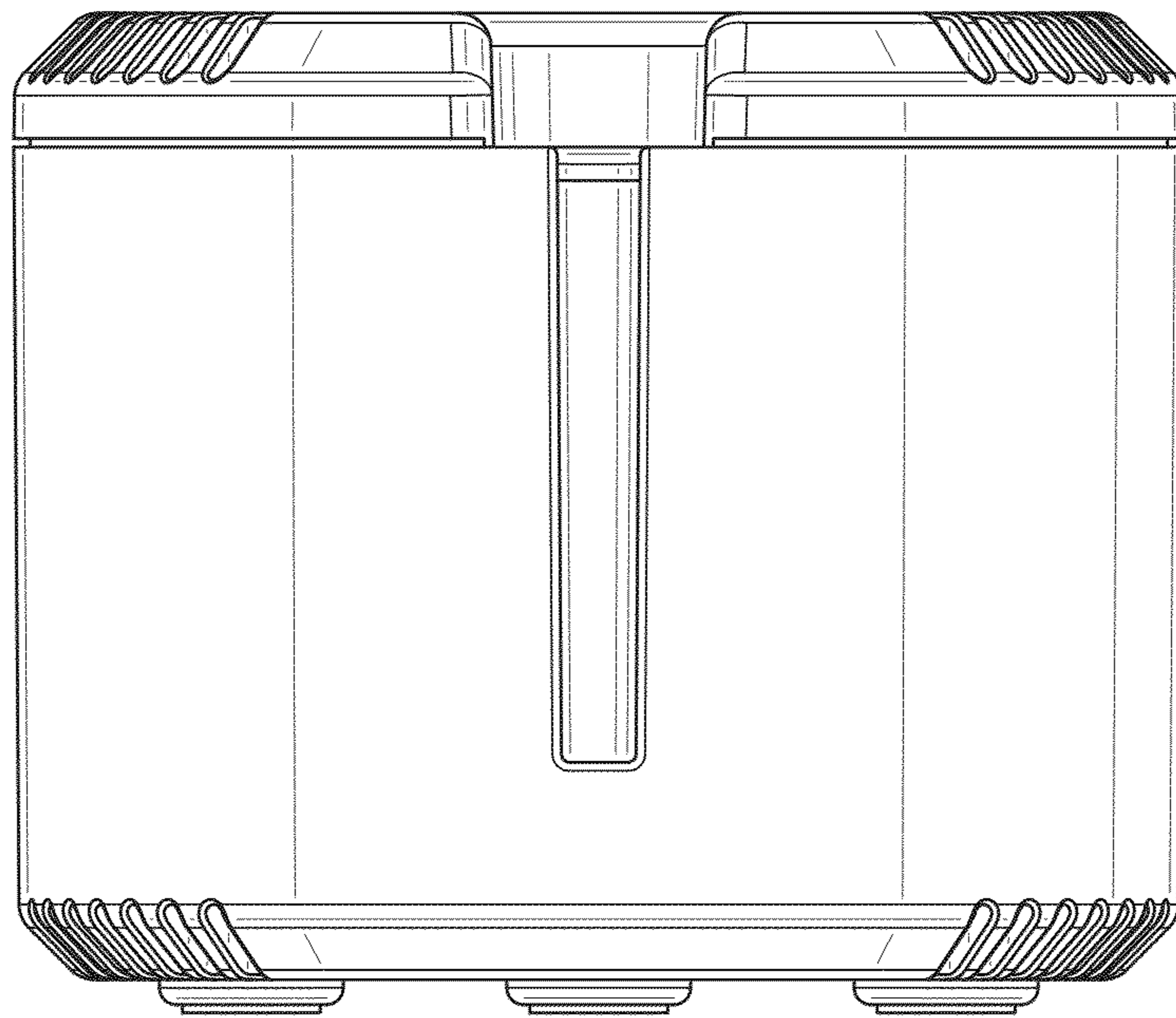


FIG. 4

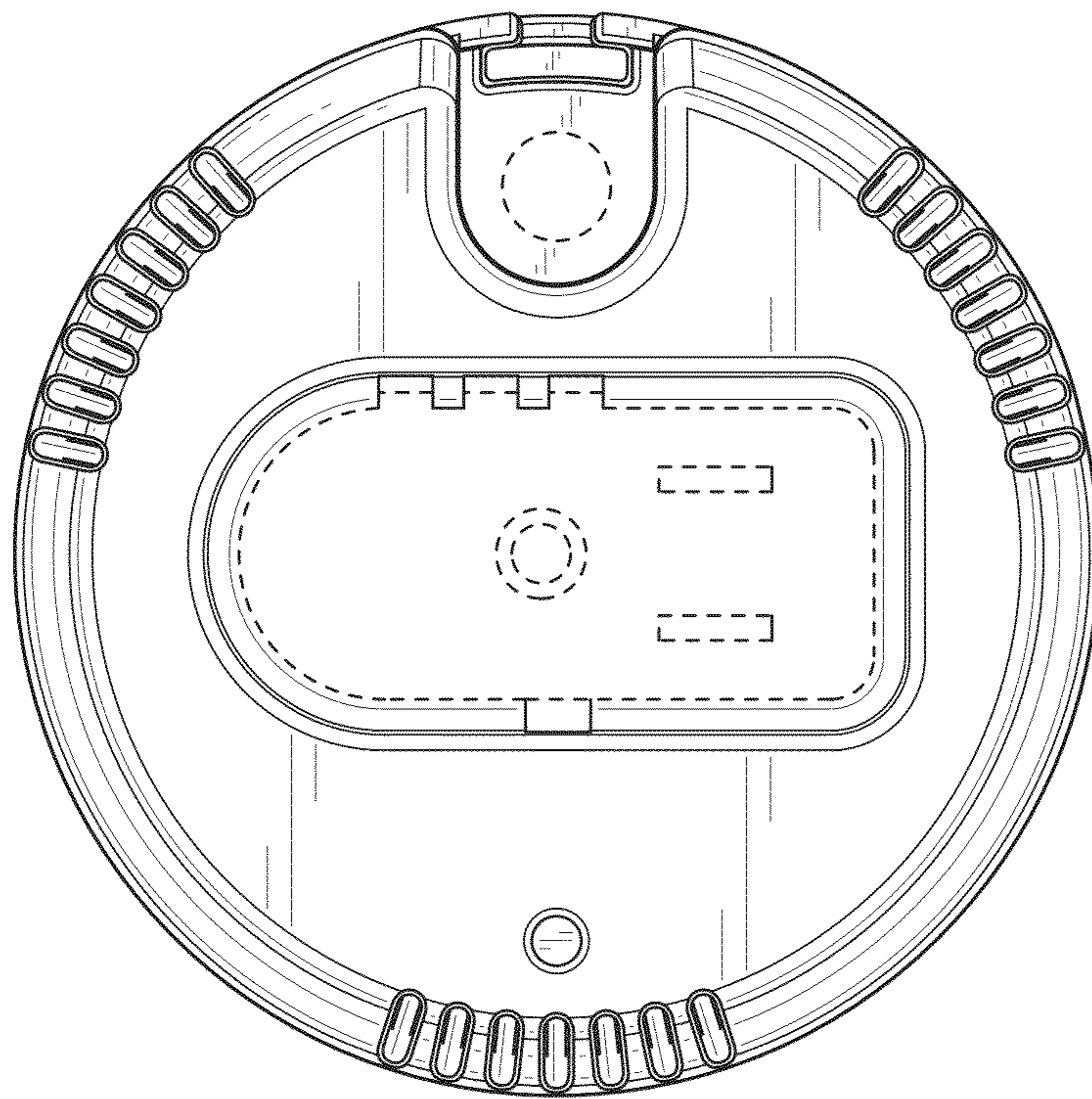


FIG. 5

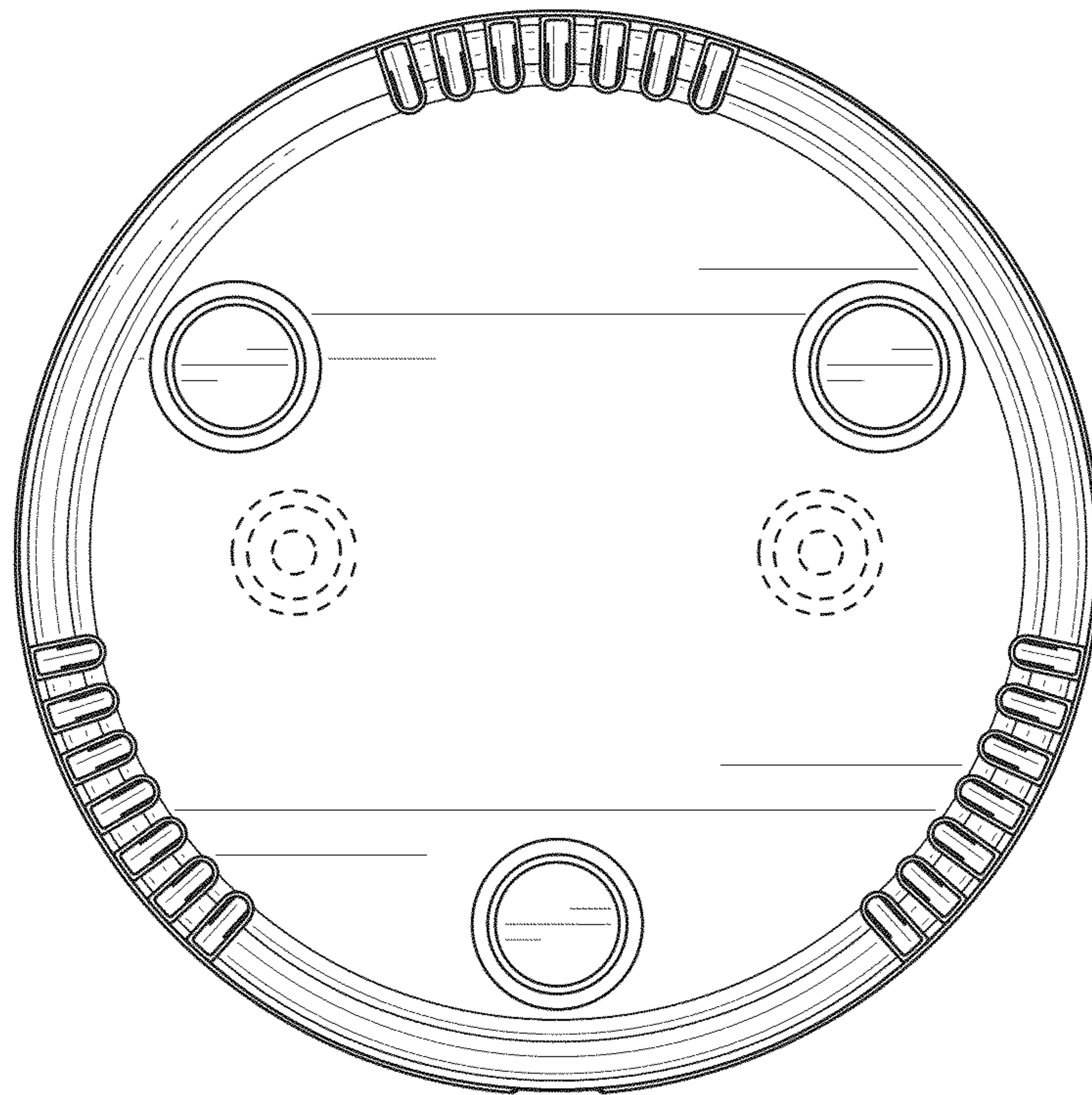


FIG. 6

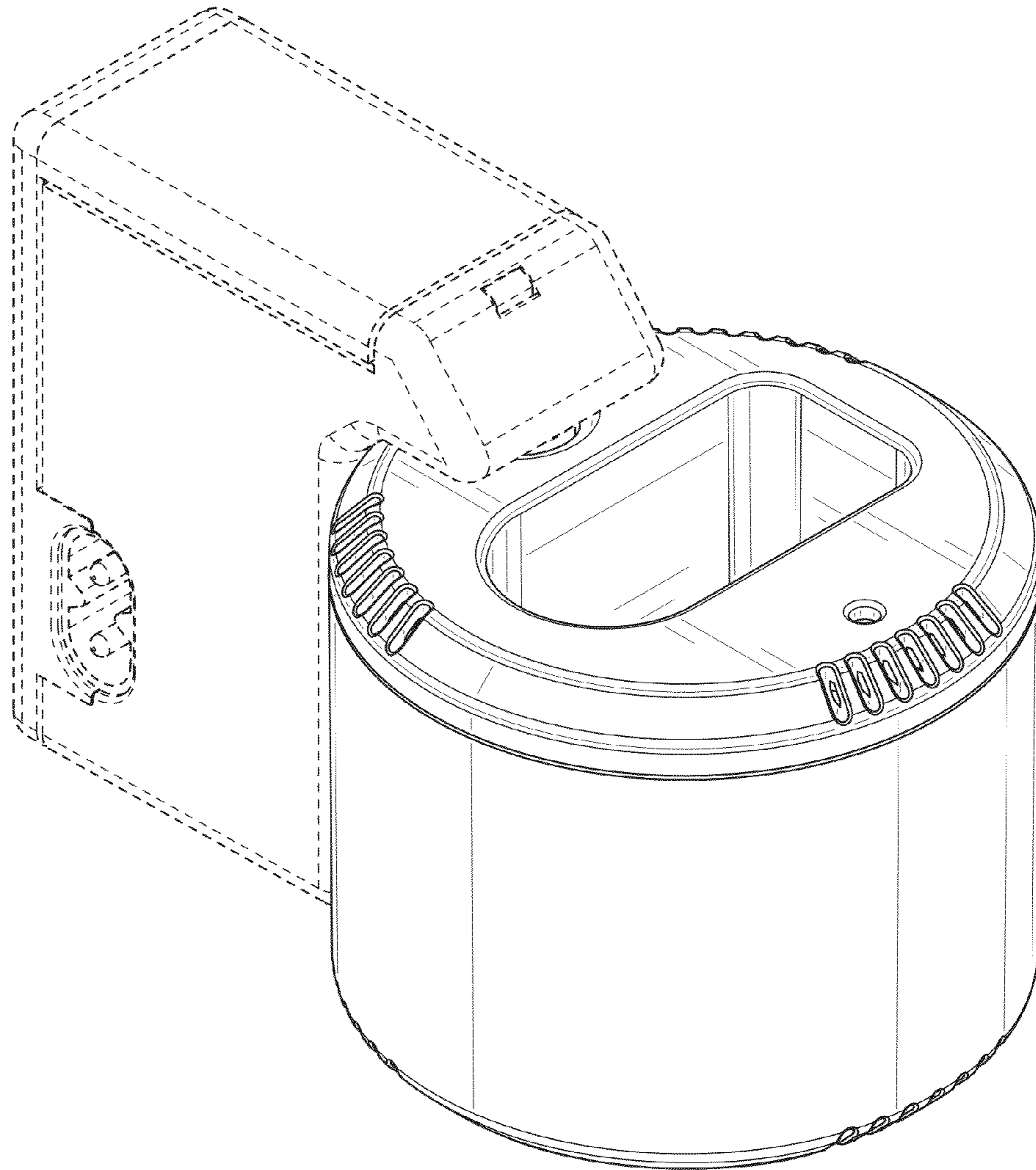


FIG. 7