



US00D758299S

(12) **United States Design Patent**  
**Lafferty**

(10) **Patent No.:** **US D758,299 S**

(45) **Date of Patent:** **\*\* \*Jun. 7, 2016**

(54) **SOLAR FLASHLIGHT DEVICE CHARGER**

(56) **References Cited**

(71) Applicant: **CellMyLight, Inc.**, West Chester, PA  
(US)

U.S. PATENT DOCUMENTS

(72) Inventor: **John P. Lafferty**, Thorndale, PA (US)

5,522,943	A *	6/1996	Spencer	.....	H01L 31/042 136/245
D475,149	S *	5/2003	Chun	.....	D26/37
D586,736	S *	2/2009	Fowler	.....	D13/102
D615,676	S *	5/2010	Lee	.....	D26/37
D619,089	S *	7/2010	Chen	.....	D13/102
D628,148	S *	11/2010	English	.....	D13/102
D630,162	S *	1/2011	Bullen	.....	D13/102
D630,577	S *	1/2011	Eubanks	.....	D13/102
D658,121	S *	4/2012	Martin	.....	D13/102
2010/0109599	A1 *	5/2010	Lin	.....	H02J 7/355 320/101

(73) Assignee: **CellMyLight, Inc.**, West Chester, PA  
(US)

(\*) Notice: This patent is subject to a terminal disclaimer.

(\*\*) Term: **14 Years**

\* cited by examiner

(21) Appl. No.: **29/492,862**

*Primary Examiner* — Derrick Holland

(22) Filed: **Jun. 3, 2014**

(74) *Attorney, Agent, or Firm* — IP Legal Services, LLC

(51) **LOC (10) Cl.** ..... **13-02**

(57) **CLAIM**

The ornamental design for a solar flashlight device charger, as shown and described.

(52) **U.S. Cl.**

**DESCRIPTION**

USPC ..... **D13/102**

(58) **Field of Classification Search**

USPC ..... D13/102, 101, 103, 107, 108, 110, 199;  
D14/140, 203.4, 483; D26/37, 38, 39,  
D26/41-44, 48, 49, 51; 136/206, 243, 244,  
136/245, 252; 320/101, 102, 114, 115, 120;  
362/157, 158, 159, 171, 183, 191, 208,  
362/257

CPC ..... H01L 31/042; H01L 35/00; Y02E 10/50;  
Y02E 10/52; H02J 7/00; H02J 7/355; H04B  
1/38

This application is related to U.S. Design application Ser. No. 29/492,860 filed on Jun. 3, 2014, the teaching of which is incorporated herein its entirety by reference.

FIG. 1 is a front and top perspective view of a solar flashlight device charger showing my new design;  
FIG. 2 is a front and bottom perspective view thereof;  
FIG. 3 is a top plan view thereof;  
FIG. 4 is a bottom plan view thereof;  
FIG. 5 is a rear view thereof;  
FIG. 6 is a front view thereof;  
FIG. 7 is a left side view thereof; and,  
FIG. 8 is a right side view thereof.

The broken lines shown represent unclaimed subject matter and form no part of the claimed design.

See application file for complete search history.

**1 Claim, 3 Drawing Sheets**

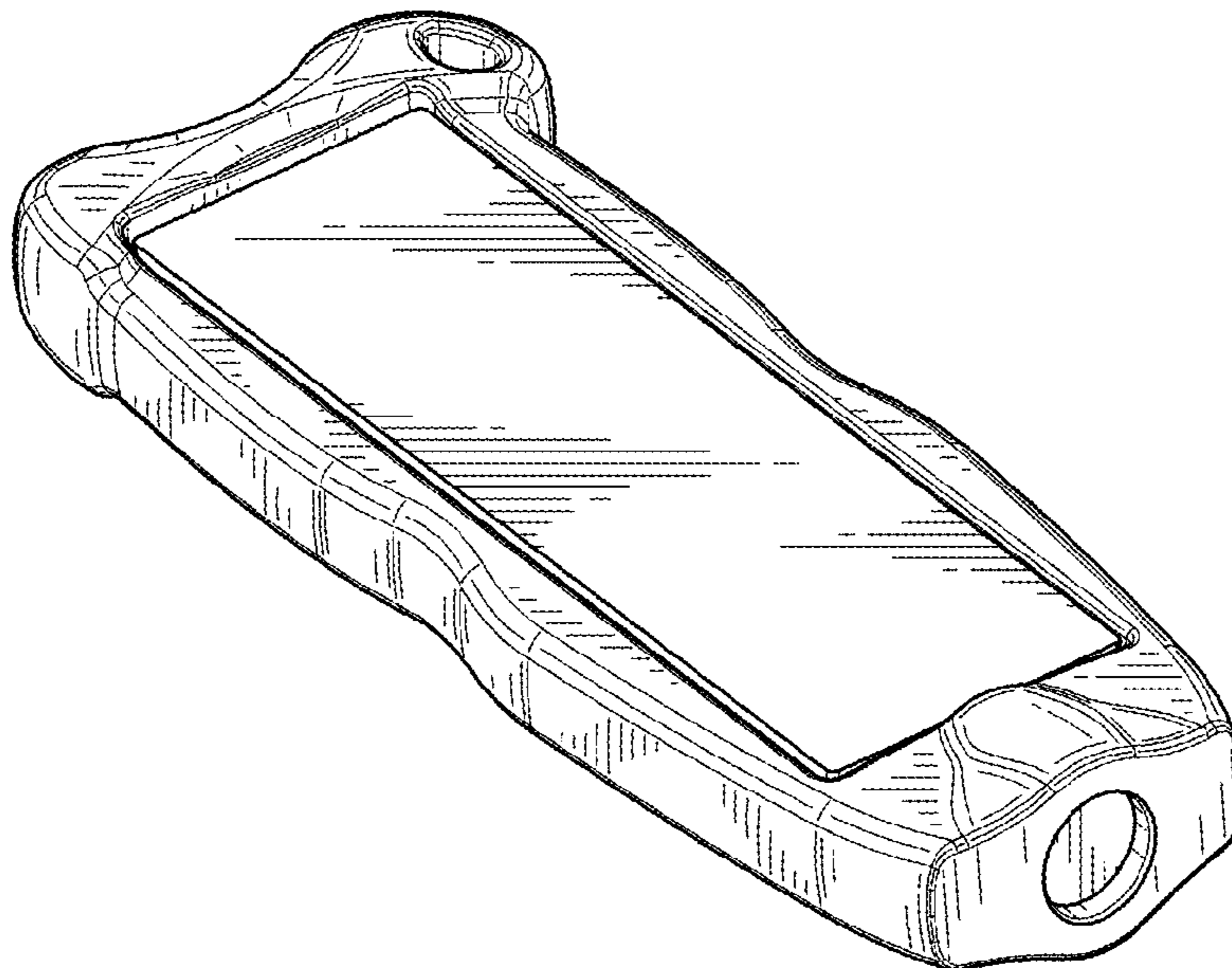


FIG. 1

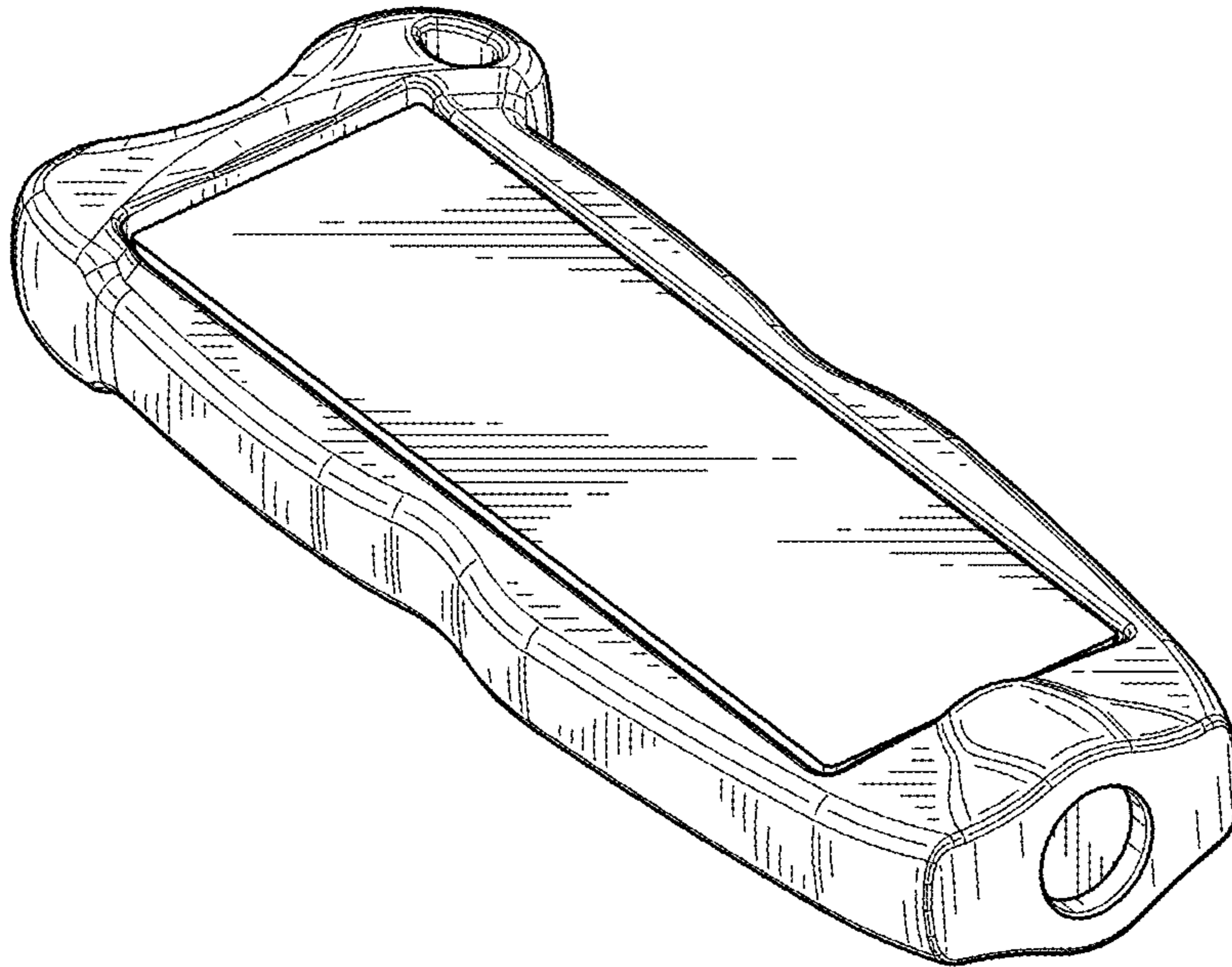


FIG. 2

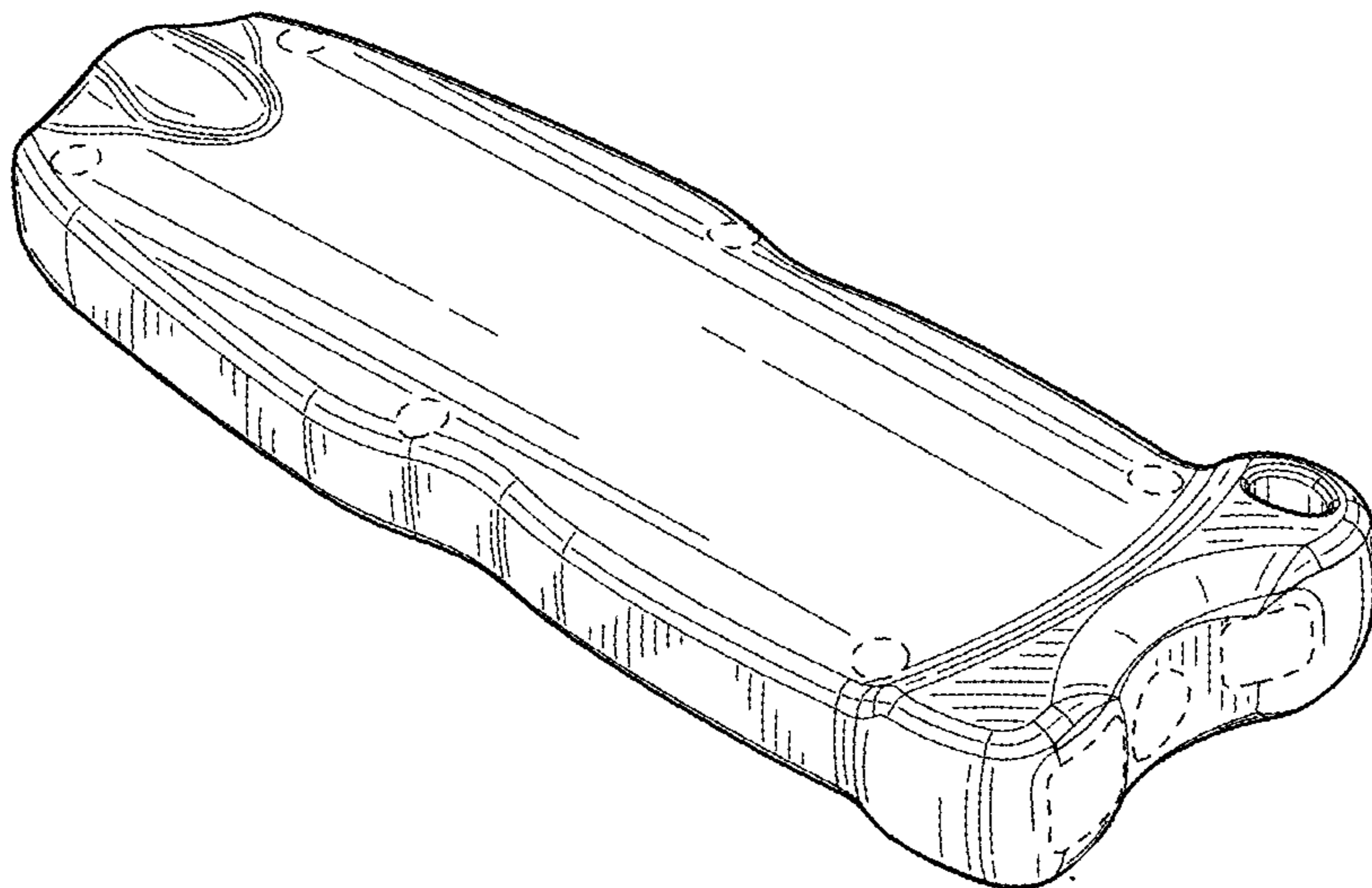


FIG. 3

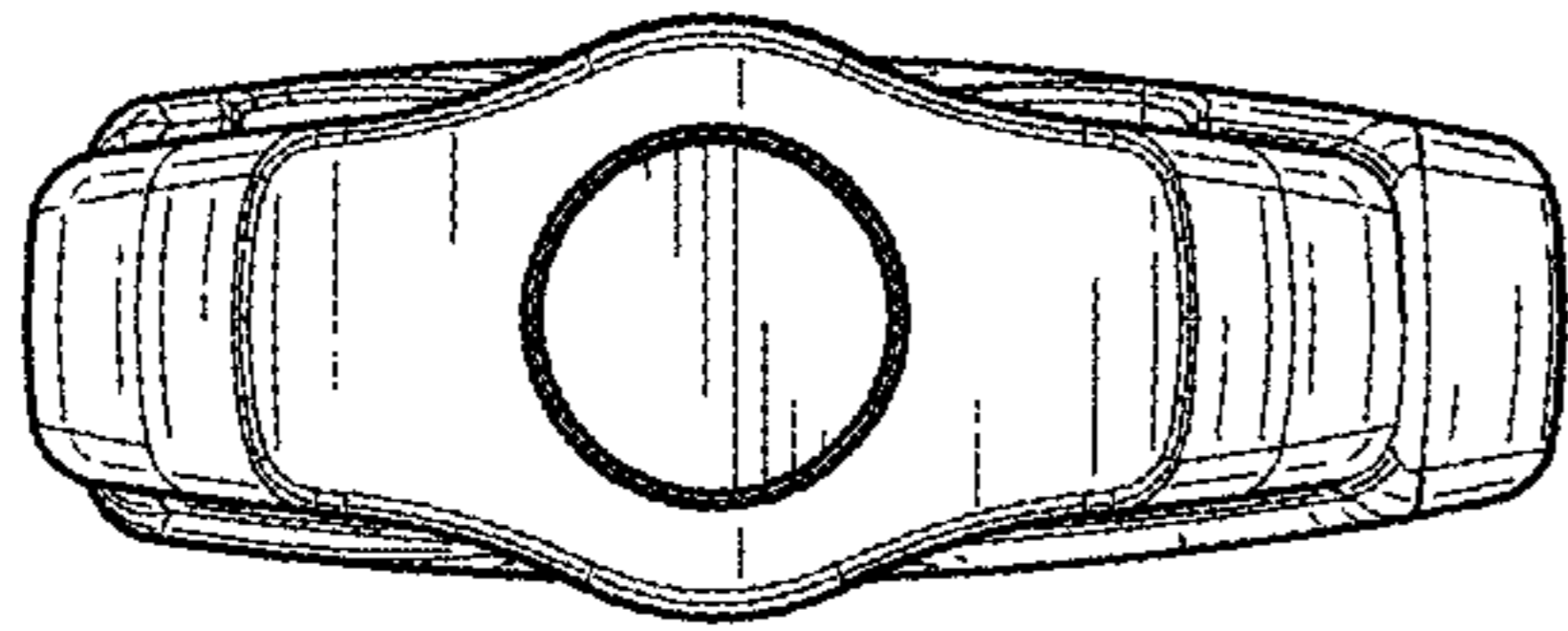


FIG. 4

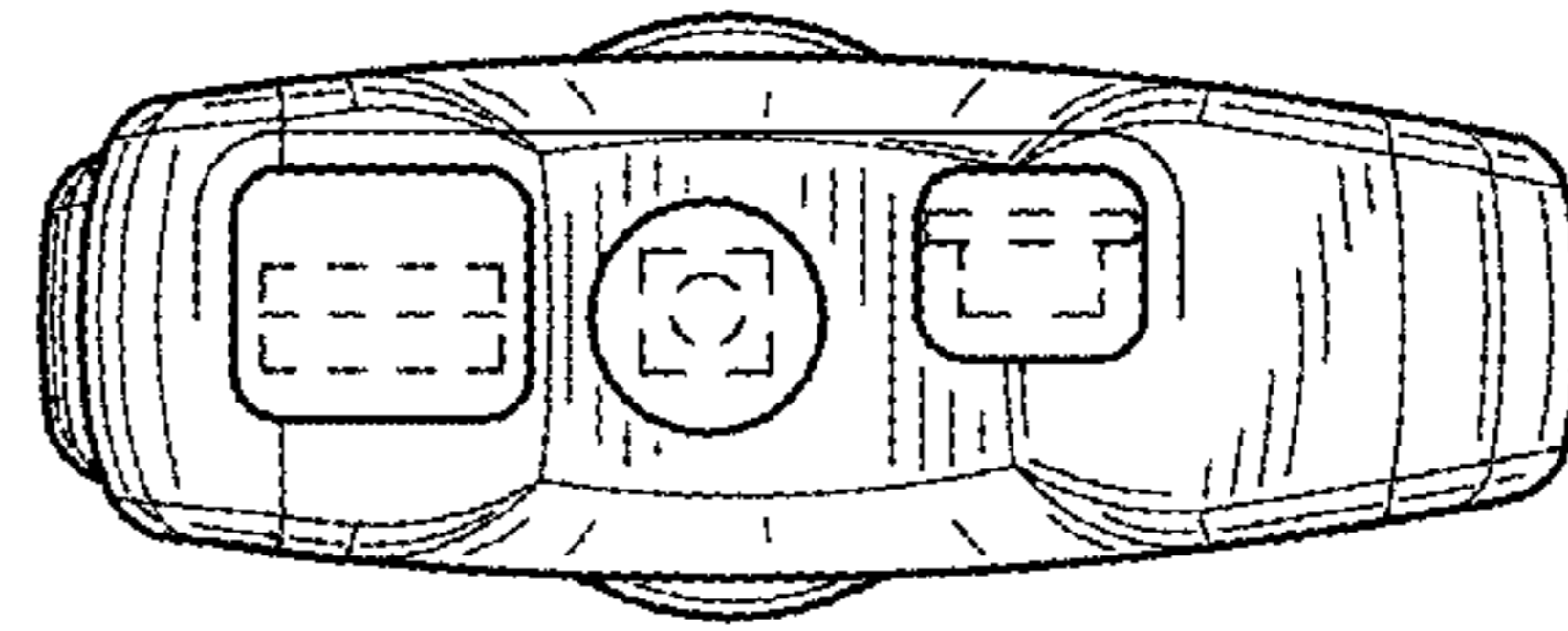


FIG. 5

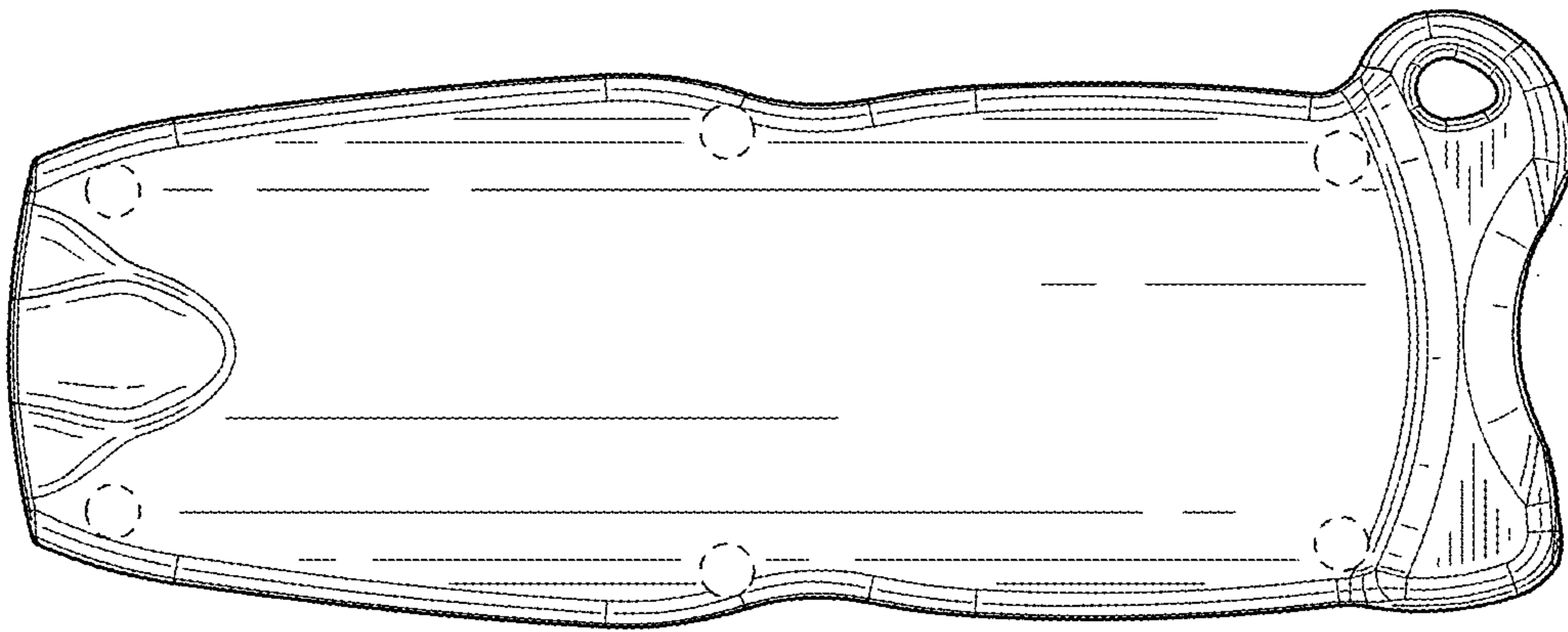


FIG. 6

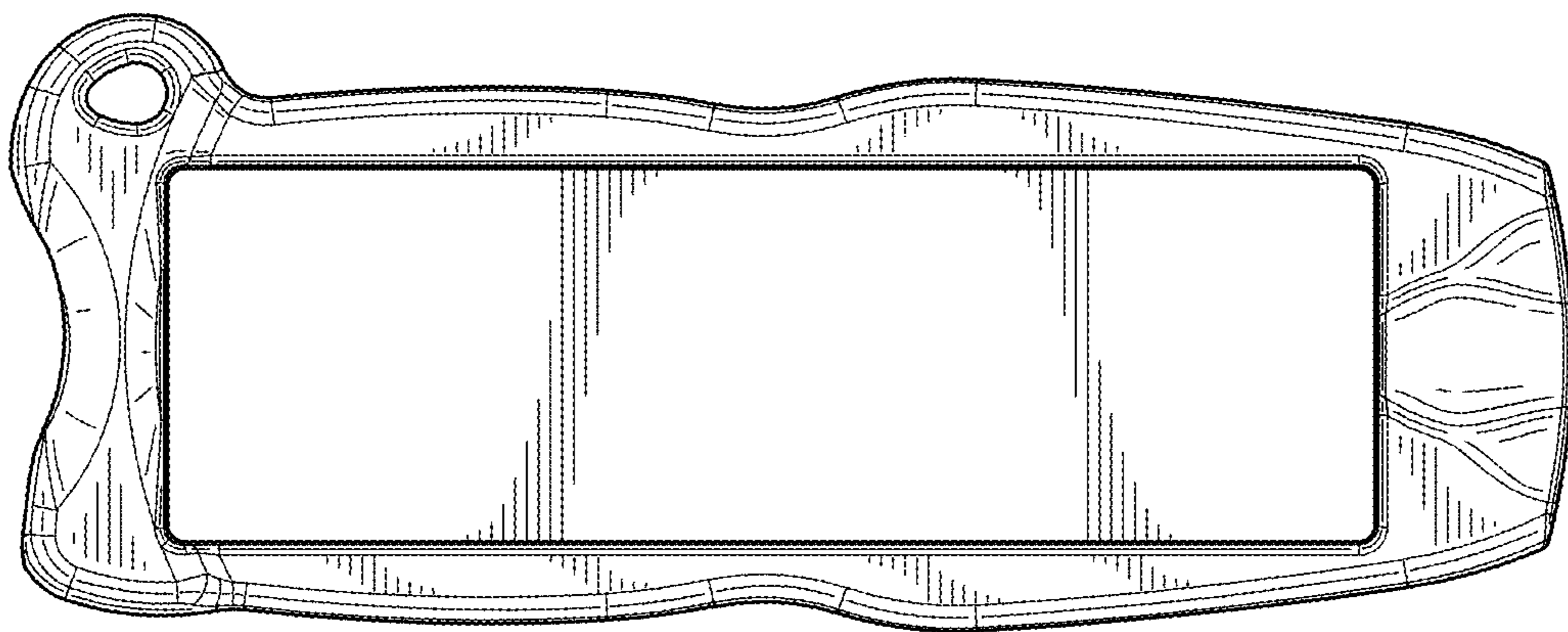




FIG. 7

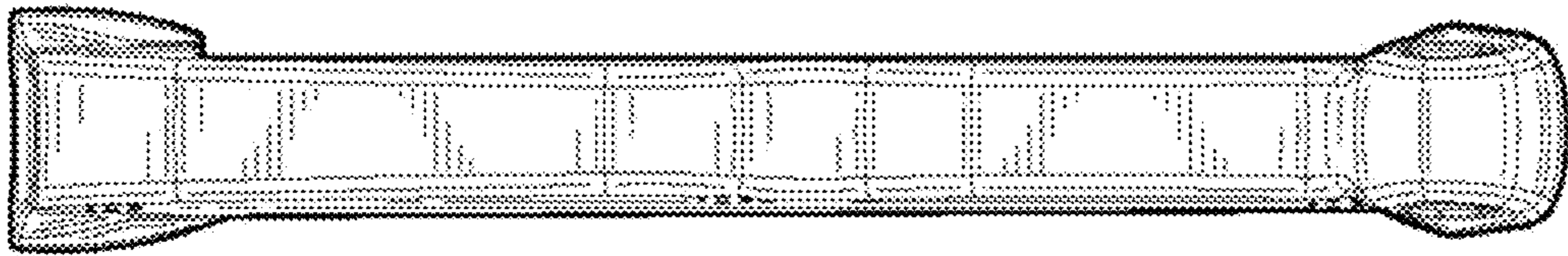


FIG. 8

