

US00D758298S

(12) **United States Design Patent**  
**Akin et al.**

(10) **Patent No.:** **US D758,298 S**  
(45) **Date of Patent:** **\*\* Jun. 7, 2016**

- (54) **FOLDABLE SOLAR PANELS FOR UMBRELLA**
- (71) Applicant: **ZON**, Manhattan Beach, CA (US)
- (72) Inventors: **Sarah Akin**, Manhattan Beach, CA (US); **David Johnson**, San Francisco, CA (US)
- (73) Assignee: **ZON**, Manhattan Beach, CA (US)
- (\*\*) Term: **14 Years**
- (21) Appl. No.: **29/484,514**
- (22) Filed: **Mar. 10, 2014**

4,527,721 A	7/1985	Goldstein	
D311,722 S *	10/1990	Cheng .....	D13/102
D336,982 S	7/1993	Johnson	
D373,465 S	9/1996	Chipman	
D373,467 S	9/1996	Chipman	
D373,468 S	9/1996	Dubinsky	
D396,741 S	8/1998	Vitali et al.	
D443,409 S	6/2001	Pilz et al.	
6,830,058 B2	12/2004	Li	
6,888,513 B1 *	5/2005	Graham .....	B64G 1/222 343/880
6,923,058 B2	8/2005	Nieman et al.	
7,000,624 B2	2/2006	Chang	
7,013,903 B2	3/2006	Li	
D530,269 S	10/2006	Fowler et al.	
D561,460 S	2/2008	Peterson	
7,562,667 B2	7/2009	Li	
D600,200 S	9/2009	Dimov et al.	

(Continued)

**Related U.S. Application Data**

- (60) Provisional application No. 29/467,880, filed on Sep. 24, 2013.
- (51) **LOC (10) Cl.** ..... **13-02**
- (52) **U.S. Cl.**  
USPC ..... **D13/102**
- (58) **Field of Classification Search**  
USPC ..... D13/102, 101, 103, 107, 118, 119, 184,  
D13/199; 126/561, 600, 605, 606, 627, 667;  
136/206, 244-251, 256, 291, 292;  
320/101, 102; 438/80  
CPC ..... H02J 7/02; H02J 7/35; H02J 7/0045;  
H02J 7/0052; H02J 2007/0062; A45B 25/02;  
A45B 23/00; A45B 3/04  
See application file for complete search history.

**References Cited**

**U.S. PATENT DOCUMENTS**

1,397,789 A	11/1921	Stonestreet	
D151,655 S	11/1948	Preaus	
D248,042 S	5/1978	Ouelette	
4,193,389 A	3/1980	Ku	
4,252,107 A *	2/1981	Horton .....	F24J 2/07 126/605

**OTHER PUBLICATIONS**

Solar Powered Umbrella with USB Ports Product Reference, Apr. 5, 2013, 17 pages.

*Primary Examiner* — Derrick Holland

(74) *Attorney, Agent, or Firm* — Aka Chan LLP

(57) **CLAIM**

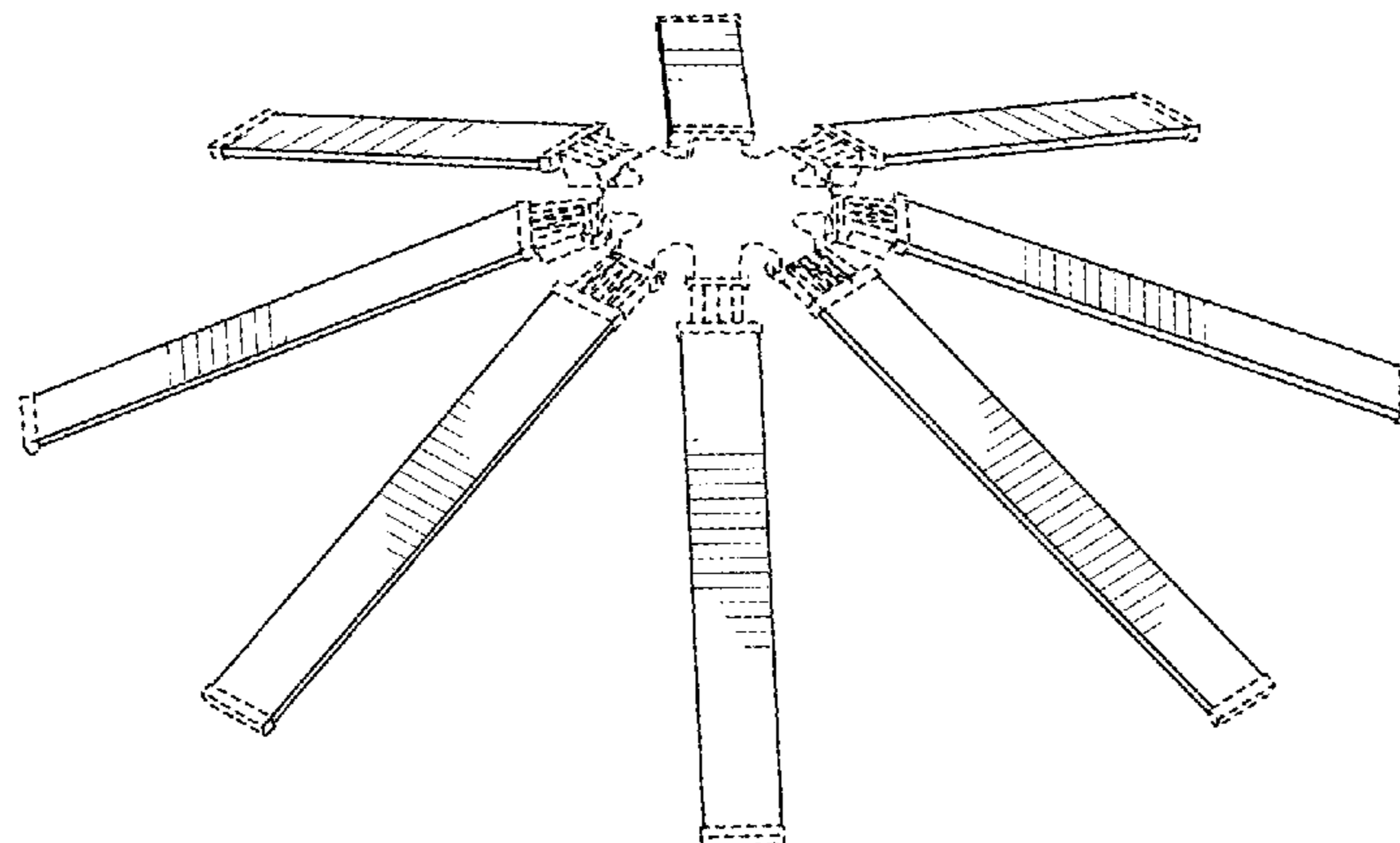
The ornamental design for a foldable solar panels for umbrella, as shown and described.

**DESCRIPTION**

FIG. 1 is a perspective view of a foldable solar panels for umbrella showing our new design in an open position; FIG. 2 is a top plan view thereof; FIG. 3 is a side view thereof; FIG. 4 is a side view thereof, in a closed position; and, FIG. 5 is a perspective view thereof, shown in environmental use.

The broken lines shown represent unclaimed subject matter and form no part of the claimed design.

**1 Claim, 4 Drawing Sheets**



(56)

**References Cited**

U.S. PATENT DOCUMENTS

D624,491 S *	9/2010	Xuan .....	D13/102	8,497,656 B2 *	7/2013	Portis, Jr. ....	A45B 3/00 136/243
D668,443 S	10/2012	Sims, II		D688,621 S	8/2013	Mozzardi et al.	
8,360,079 B2	1/2013	Li		2005/0161067 A1 *	7/2005	Hollins .....	A45B 23/00 135/16
D680,949 S	4/2013	Swatek		2009/0058354 A1 *	3/2009	Harrison .....	A45B 3/00 320/101
D681,548 S	5/2013	Zhang et al.					

\* cited by examiner

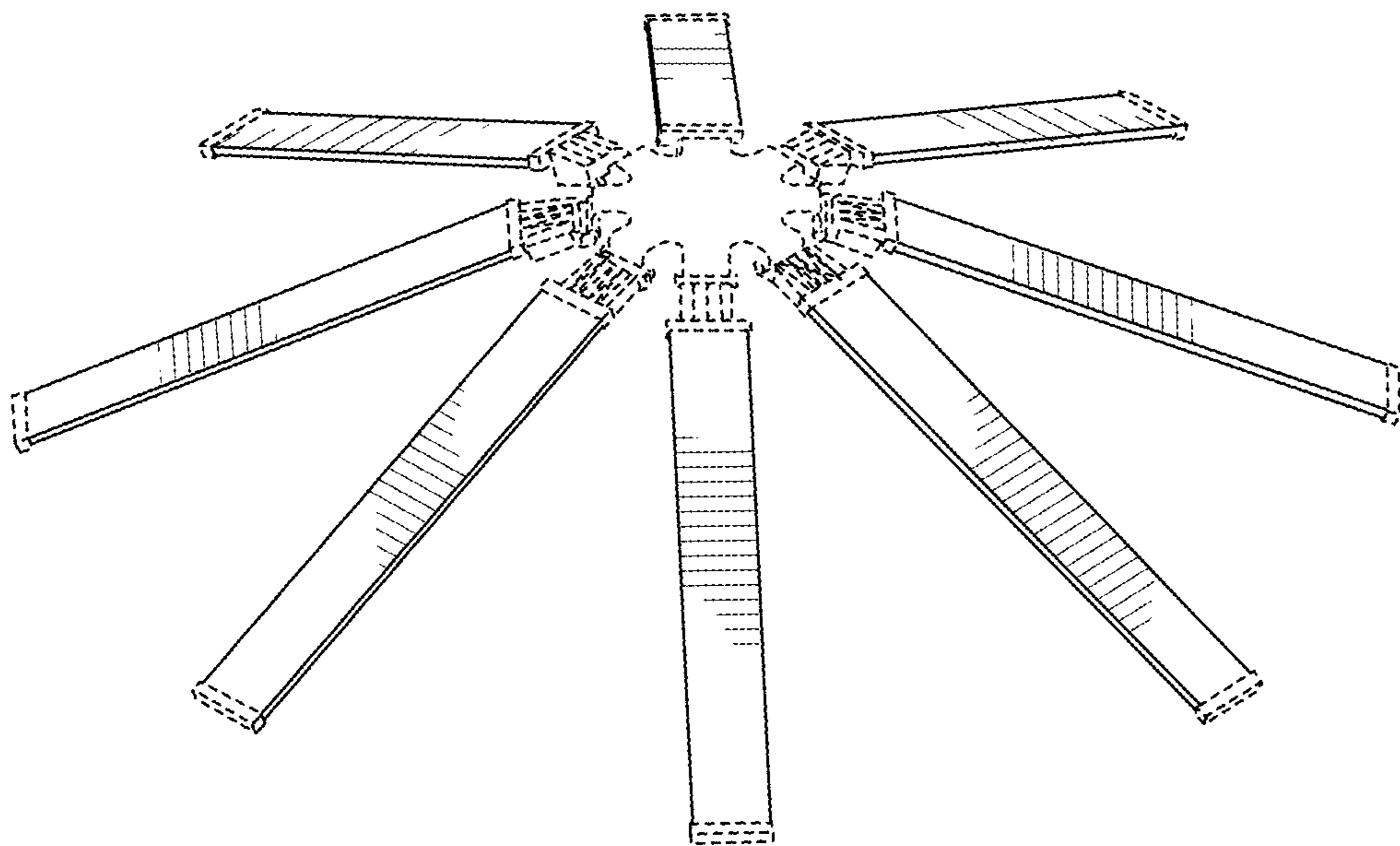


FIG. 1

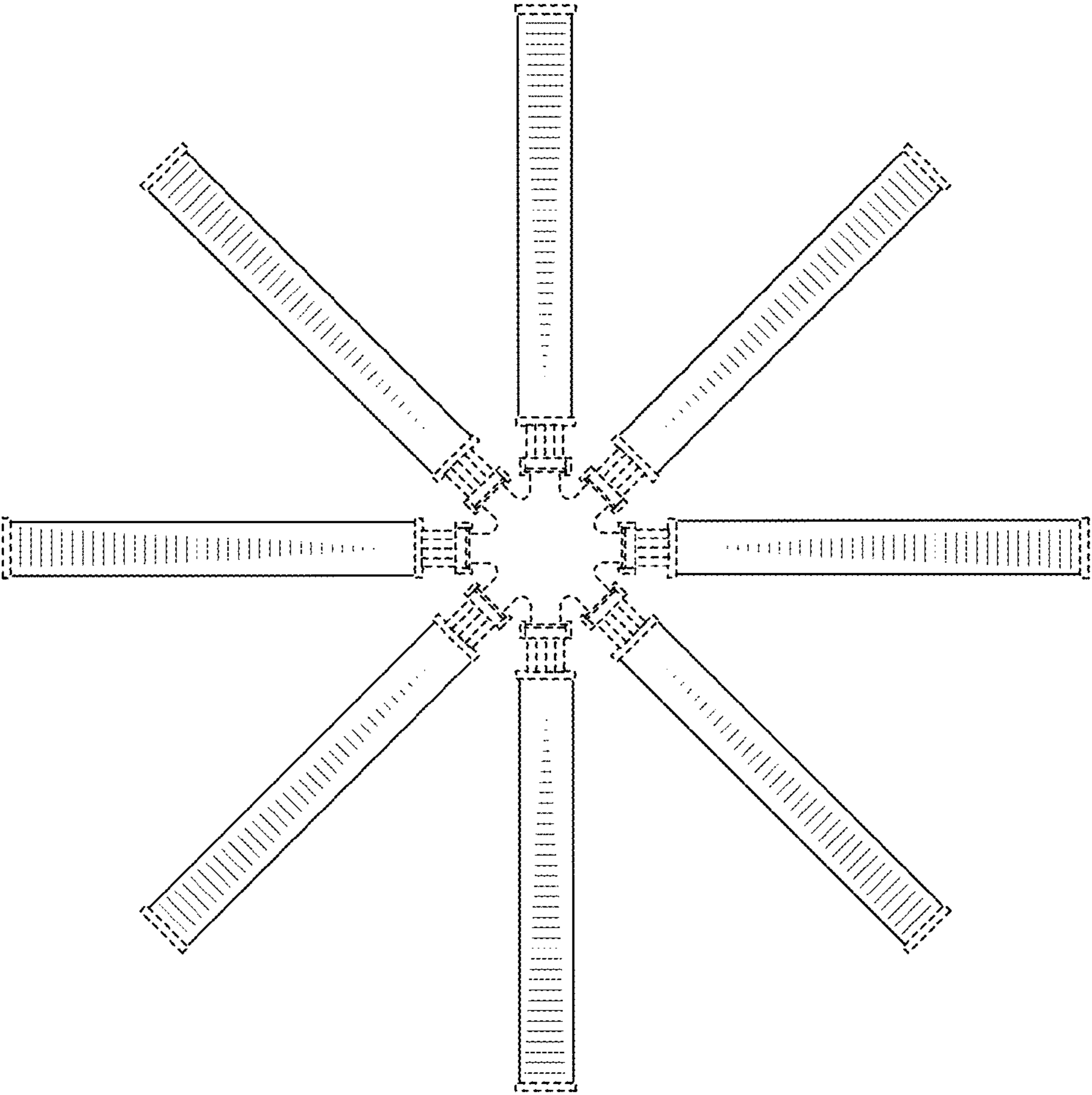


FIG. 2

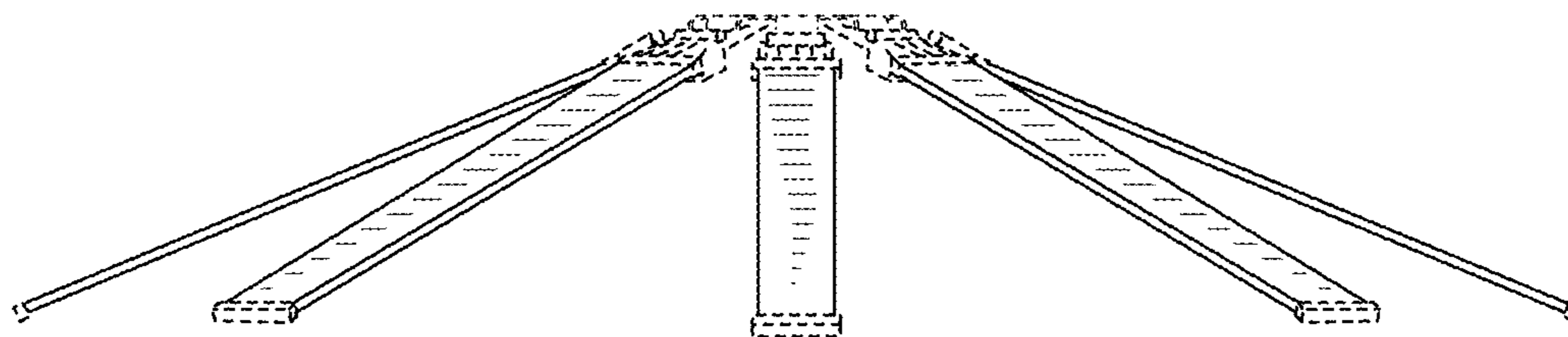


FIG. 3

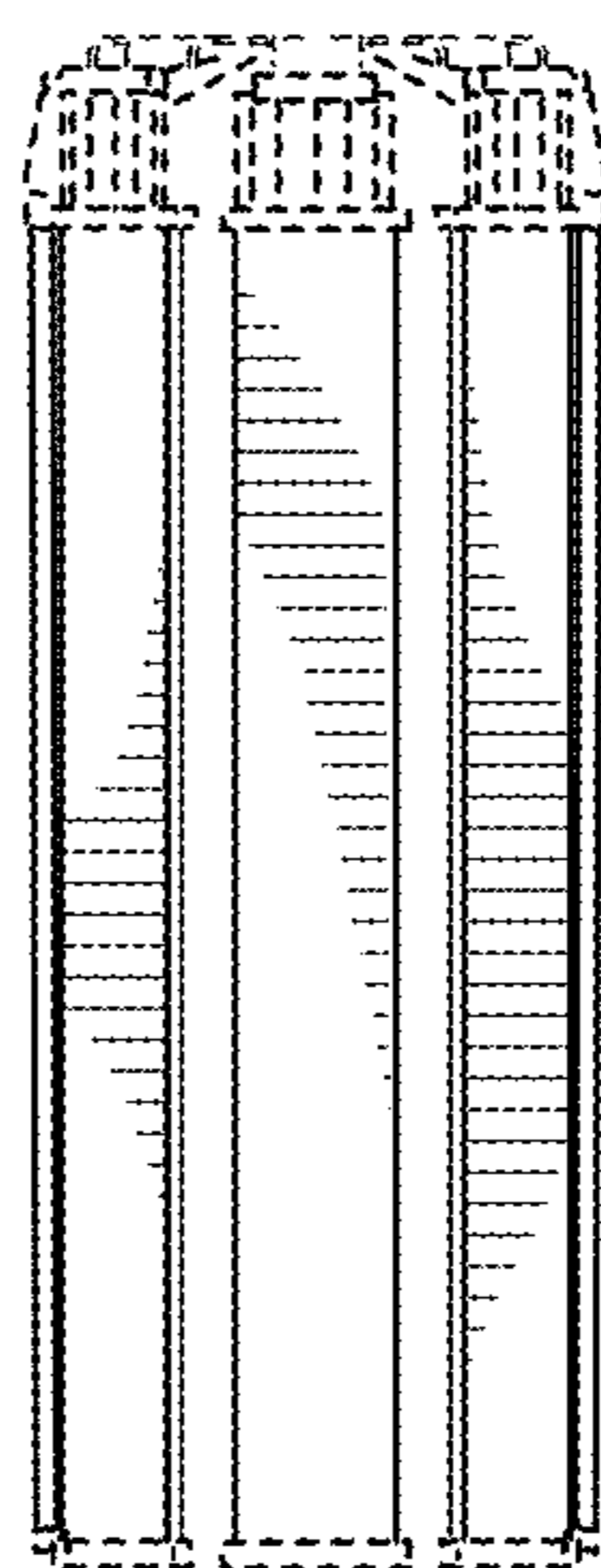


FIG. 4

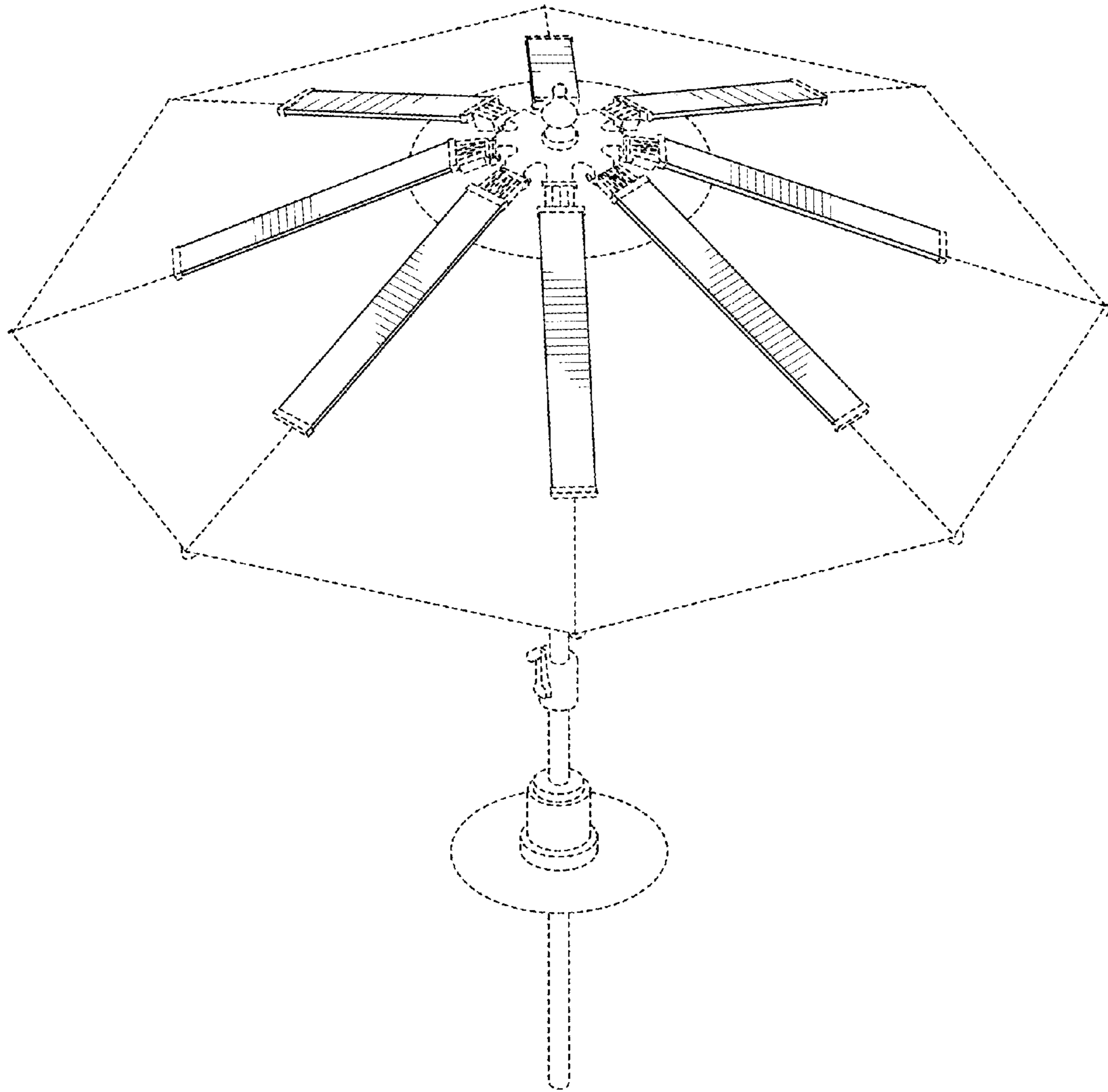


FIG. 5