



US00D758297S

(12) **United States Design Patent**
Kidney

(10) **Patent No.:** **US D758,297 S**
(45) **Date of Patent:** **** Jun. 7, 2016**

(54) **TIRE TREAD PERFORMANCE INDICATOR**

FOREIGN PATENT DOCUMENTS

(71) Applicant: **Bridgestone Americas Tire Operations, LLC**, Nashville, TN (US)

EM 0008603900001 1/2008
EM 0008603900002 1/2008
JP 1319191 1/2008

(72) Inventor: **Jacob R. Kidney**, Wadsworth, OH (US)

OTHER PUBLICATIONS

(73) Assignee: **Bridgestone Americas Tire Operations, LLC**, Nashville, TN (US)

Platin RP 50 Winter tires, available online as early as Feb. 17, 2013, <http://web.archive.org/web/20130217041322/http://www.platin-wheels.com/en/platin-tyre-rp-50-winter.php#>.*

(**) Term: **14 Years**

ABC teach, Shapebook snowflake with lines, copyright 2003, <http://www.abcteach.com/documents/shapebook-snowflake-primary-7646>.*

(21) Appl. No.: **29/485,302**

Kato, Maju, Search Report with English Translation from Japanese Application # 2014020523, 2 pp. (Mar. 3, 2015).

(22) Filed: **Mar. 18, 2014**

(51) **LOC (10) Cl.** **12-15**

* cited by examiner

(52) **U.S. Cl.**
USPC **D12/604**

Primary Examiner — Cynthia M Chin

(58) **Field of Classification Search**
USPC D12/503, 604; D14/488, 489, 492, 494, D14/495; D18/27
CPC Y10T 152/10027; B60C 11/24; B60C 11/243; B60C 11/246
See application file for complete search history.

(74) *Attorney, Agent, or Firm* — Shaun J. Fox

(57) **CLAIM**

The ornamental design for a tire tread performance indicator, as shown and described.

DESCRIPTION

(56) **References Cited**

U.S. PATENT DOCUMENTS

D623,194 S * 9/2010 Cook D14/488
D649,557 S * 11/2011 Duchene D14/488
8,695,655 B2 * 4/2014 Cuny B60C 11/1384
152/154.2
D723,054 S * 2/2015 Nagaoka D14/486
2011/0126949 A1 * 6/2011 Cuny B29D 30/0606
152/154.2

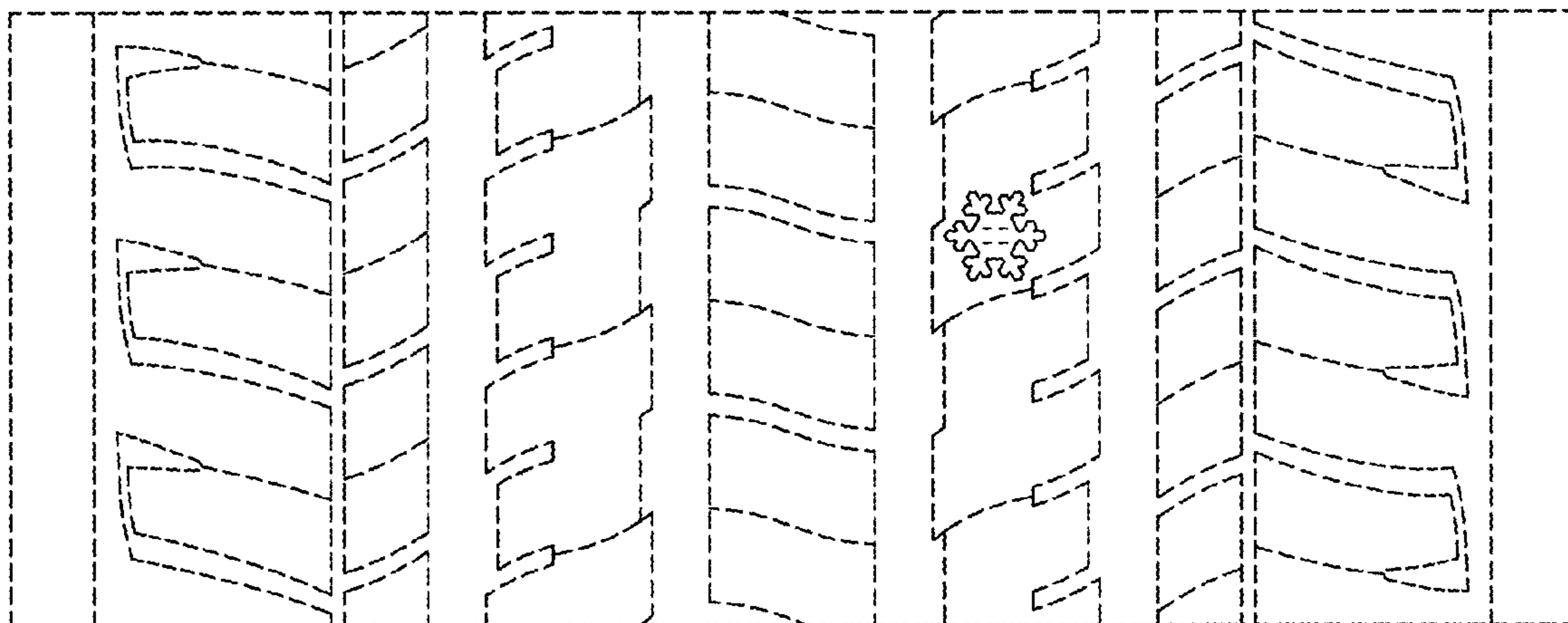
FIG. 1 is a side perspective view of a tire tread performance indicator showing my new design;

FIG. 2 is a front elevational view thereof; and,

FIG. 3 is an enlarged fragmentary front elevational view thereof.

The dashed lines within the tire tread performance indicator form a part of the claimed design.

1 Claim, 6 Drawing Sheets



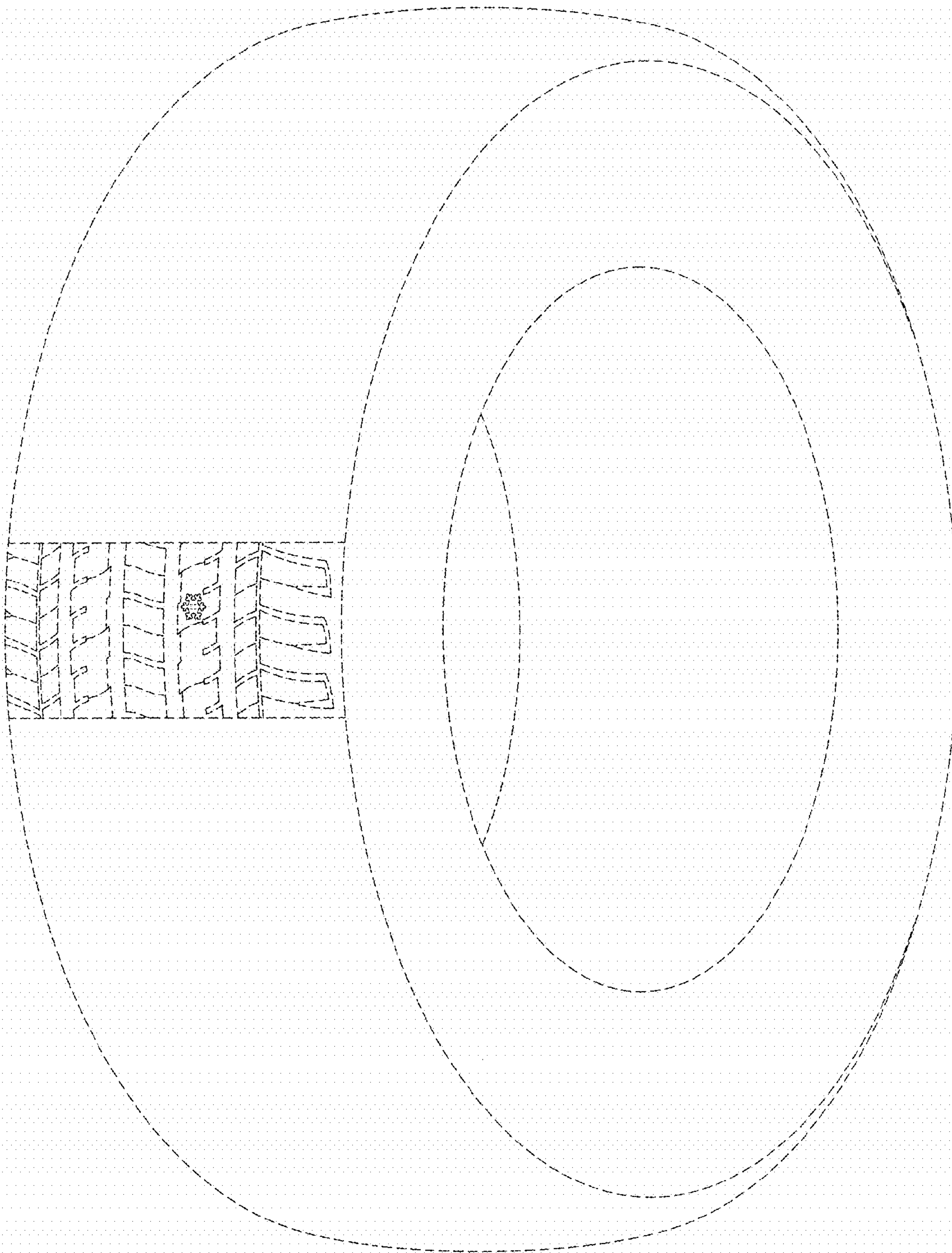


FIG 1

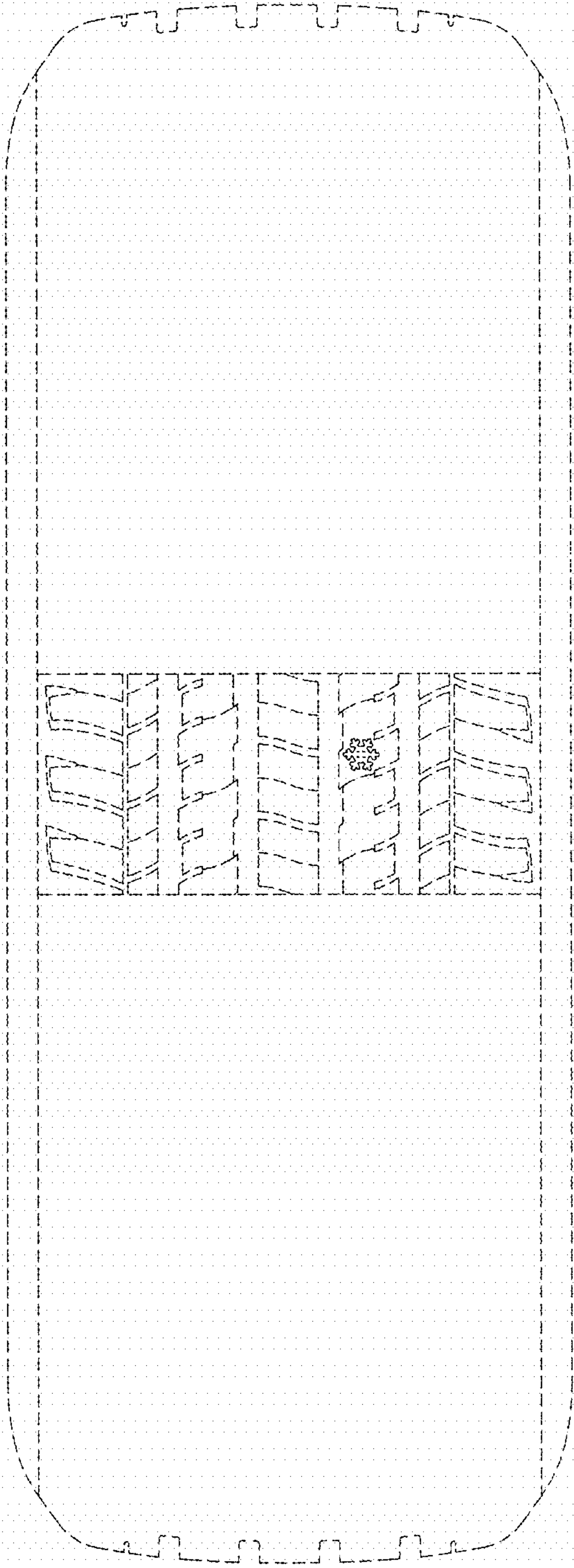
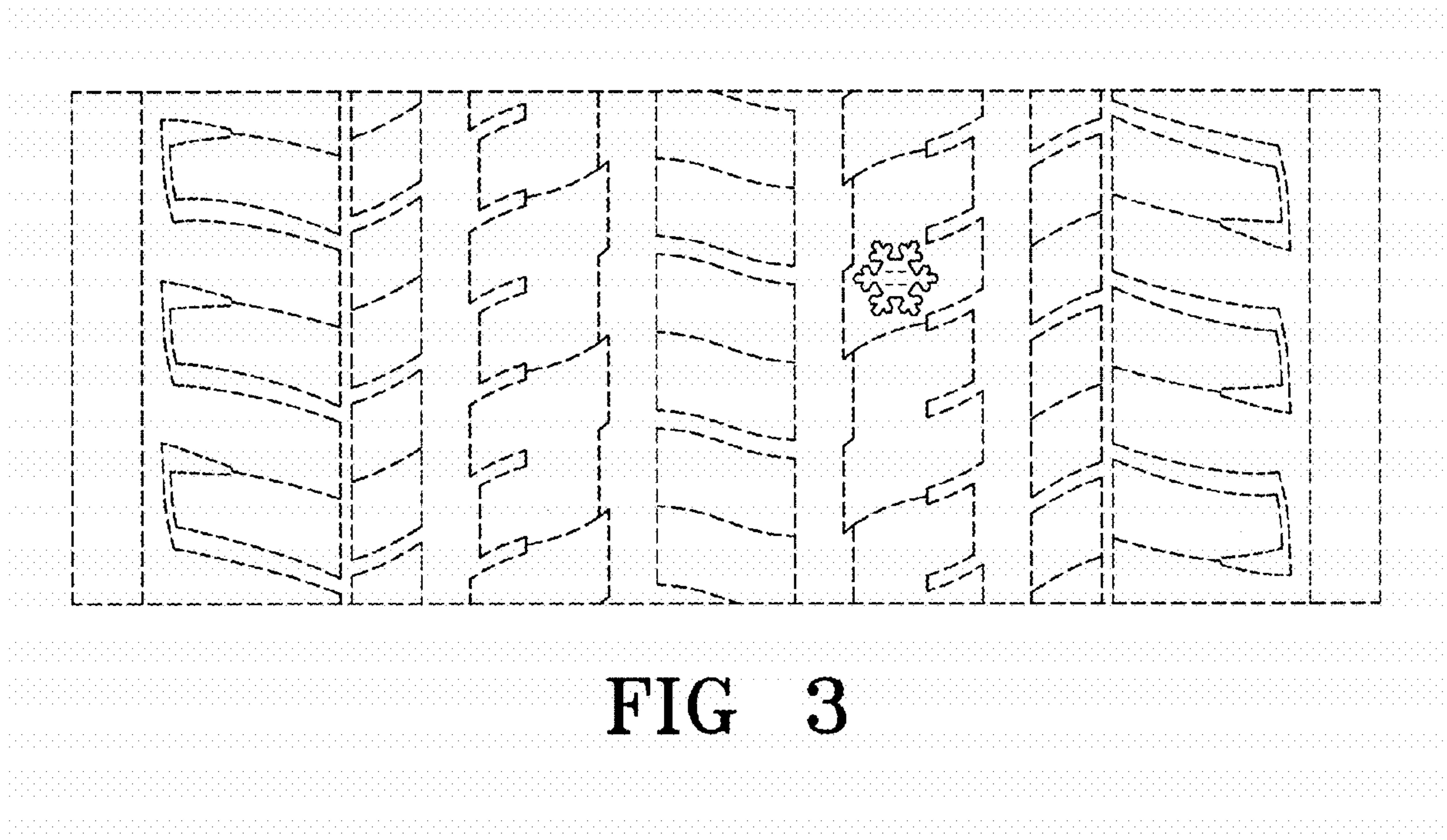


FIG 2



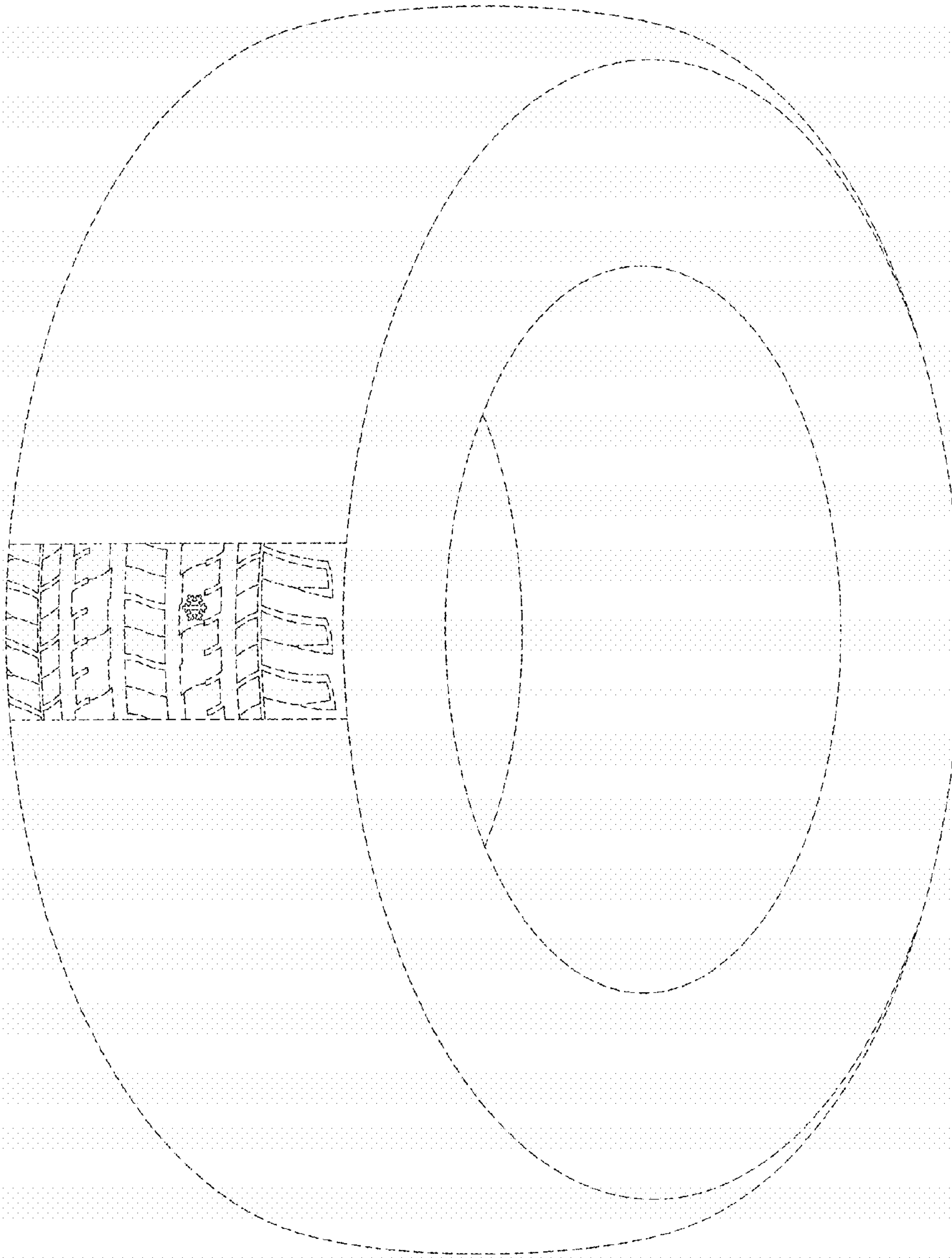


FIG 4

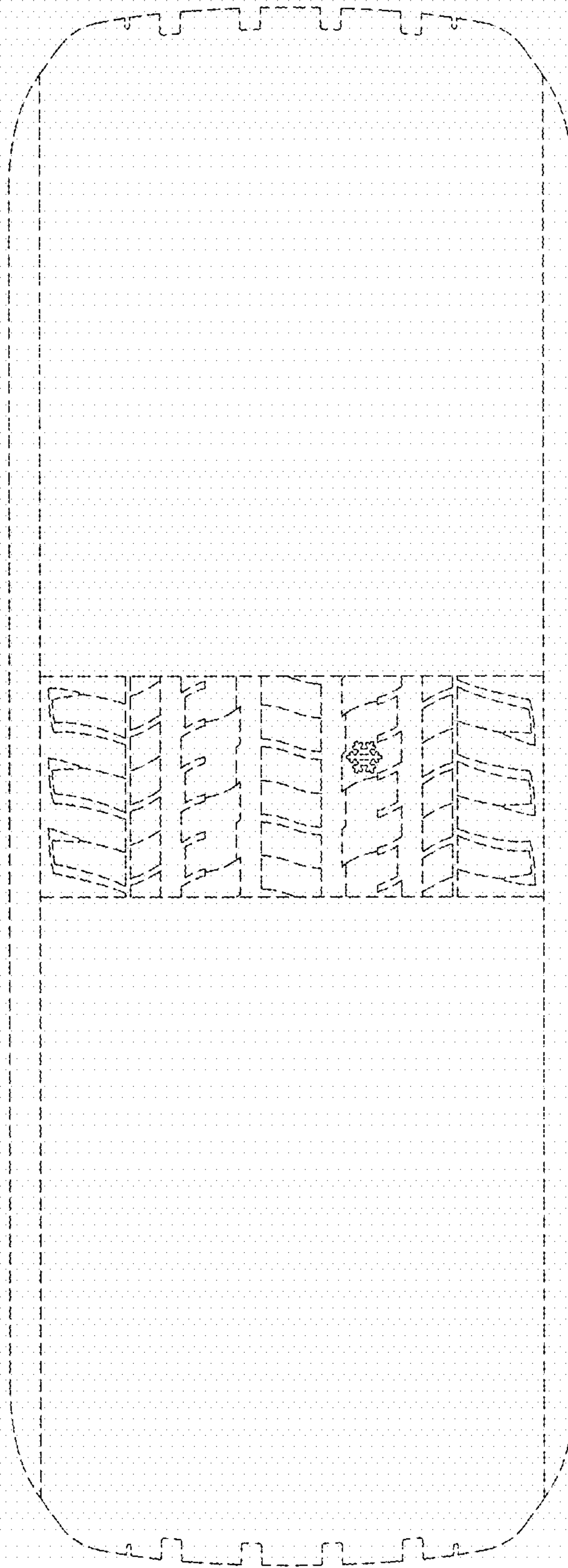


FIG 5

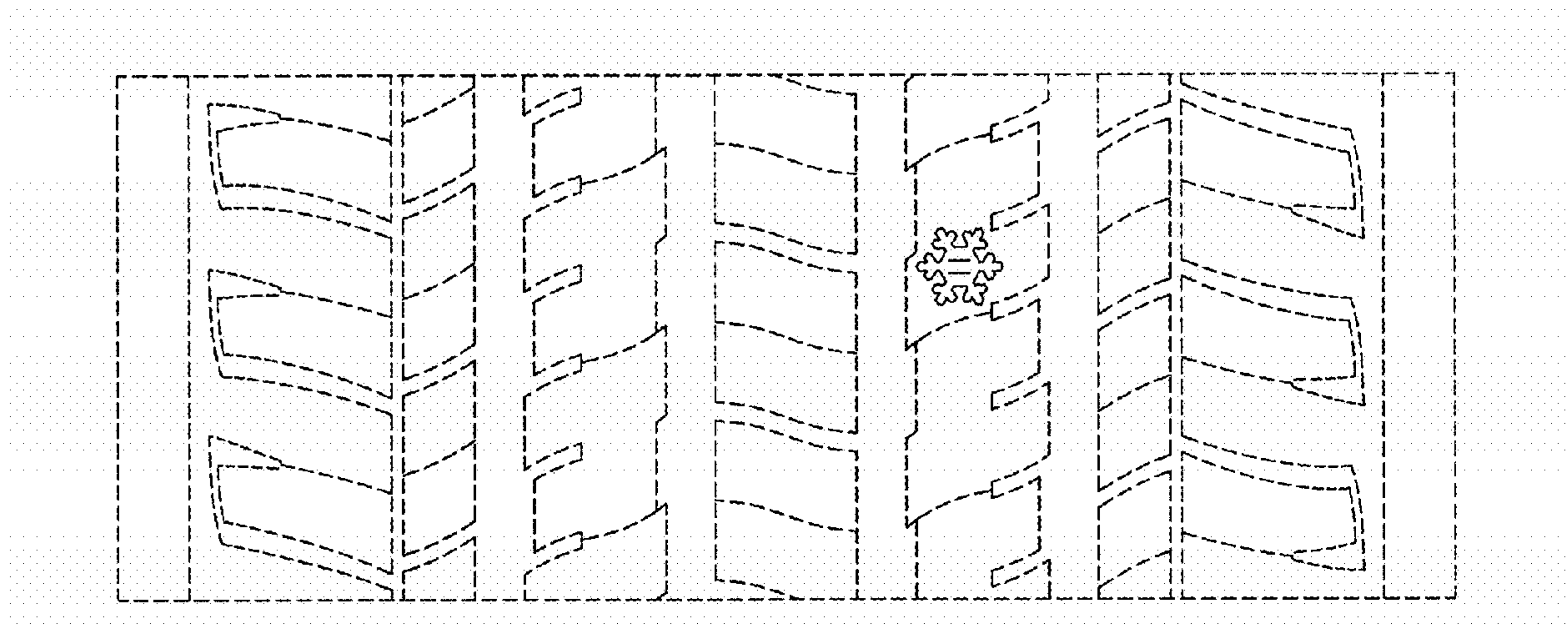


FIG 6