



US00D758291S

(12) **United States Design Patent**
Sareen

(10) **Patent No.:** **US D758,291 S**
(45) **Date of Patent:** **** Jun. 7, 2016**

- (54) **TIRE TREAD**
- (71) Applicant: **Omni United (S) Pte Ltd.**, Singapore (SG)
- (72) Inventor: **Gajendra Singh Sareen**, Singapore (SG)
- (73) Assignee: **Omni United (S) Pte. Ltd.**, Singapore (SG)
- (**) Term: **15 Years**
- (21) Appl. No.: **29/532,848**
- (22) Filed: **Jul. 10, 2015**
- (51) **LOC (10) Cl.** **12-15**
- (52) **U.S. Cl.**
USPC **D12/583**
- (58) **Field of Classification Search**
USPC D12/582, 583, 584, 596, 600
CPC B60C 2011/0346
See application file for complete search history.

D472,517 S	4/2003	Hutz et al.	
D534,117 S	12/2006	Welbes et al.	
D603,788 S	11/2009	Lundgren	
D606,010 S *	12/2009	Martin	D12/583
D610,530 S	2/2010	Perdriat	
D624,490 S	9/2010	Kaji	
D635,088 S	3/2011	Sareen	
D647,471 S	10/2011	Youkong	
D648,265 S	11/2011	Kim et al.	
D726,102 S	4/2015	Yamada	
D727,840 S	4/2015	Rolland et al.	
D742,809 S *	11/2015	Renis	D12/583
9,221,305 B2 *	12/2015	Washizuka	B60C 11/0311

* cited by examiner

Primary Examiner — Robert M Spear
(74) *Attorney, Agent, or Firm* — Perkins Coie LLP

(57) **CLAIM**
The ornamental design for a tire tread, as shown and described.

DESCRIPTION

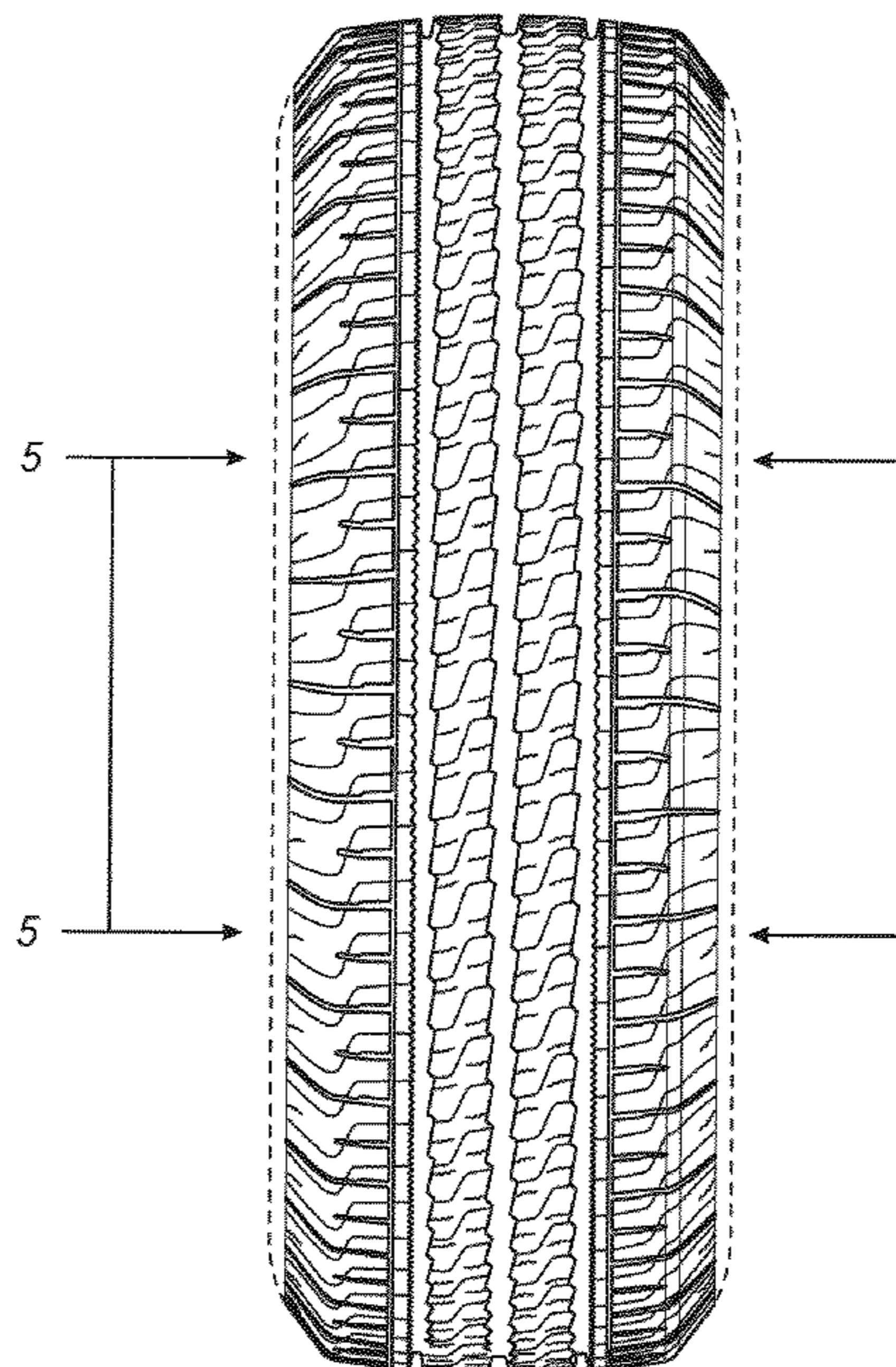
FIG. 1 is a perspective view of a tire tread, showing my new design;
FIG. 2 is a front view thereof;
FIG. 3 is a side view thereof;
FIG. 4 is an enlarged perspective view of a section of the tire tread defined by lines 4-4 in FIG. 1;
FIG. 5 is an enlarged front view of a section of the tire tread as defined by lines 5-5 in FIG. 2; and,
FIG. 6 is an enlarged side view of a section of the tire tread as defined by lines 6-6 in FIG. 3.
The broken lines in FIGS. 1-6 show portions of the tire which form no part of the claimed design.

1 Claim, 6 Drawing Sheets

(56) **References Cited**

U.S. PATENT DOCUMENTS

D194,771 S	3/1963	Jones et al.	
D305,220 S *	12/1989	Kemp	D12/583
D316,065 S *	4/1991	Tsuda	D12/583
D335,109 S	4/1993	Serpaggi	
D336,267 S	6/1993	Bonvini et al.	
D387,711 S	12/1997	Shirai et al.	
D416,218 S	11/1999	Lassan et al.	
D426,794 S *	6/2000	Meer	D12/583
D449,571 S	10/2001	Dumigan et al.	
D451,437 S *	12/2001	Reid	D12/582
D469,396 S	1/2003	Hutson et al.	



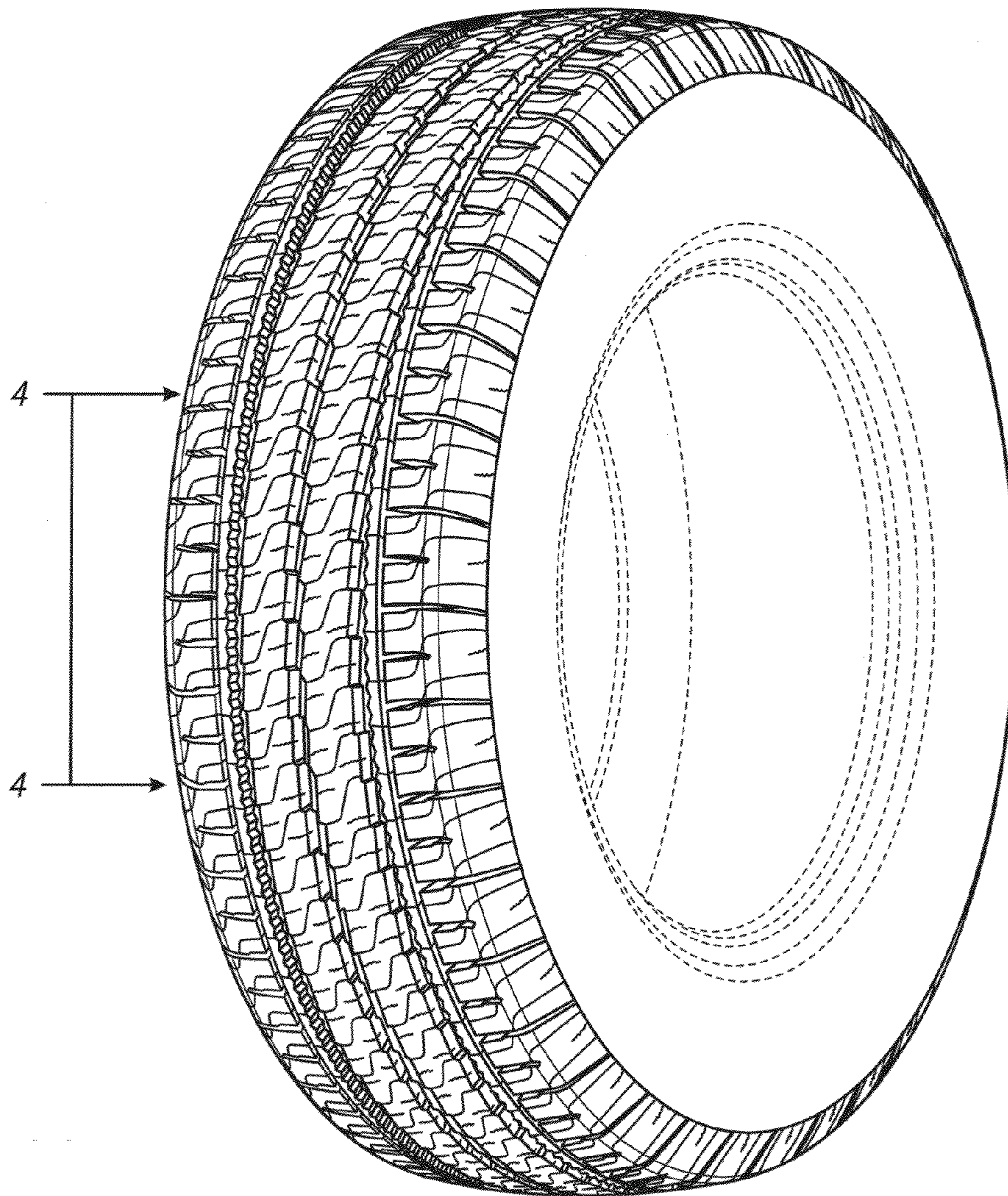


FIG. 1

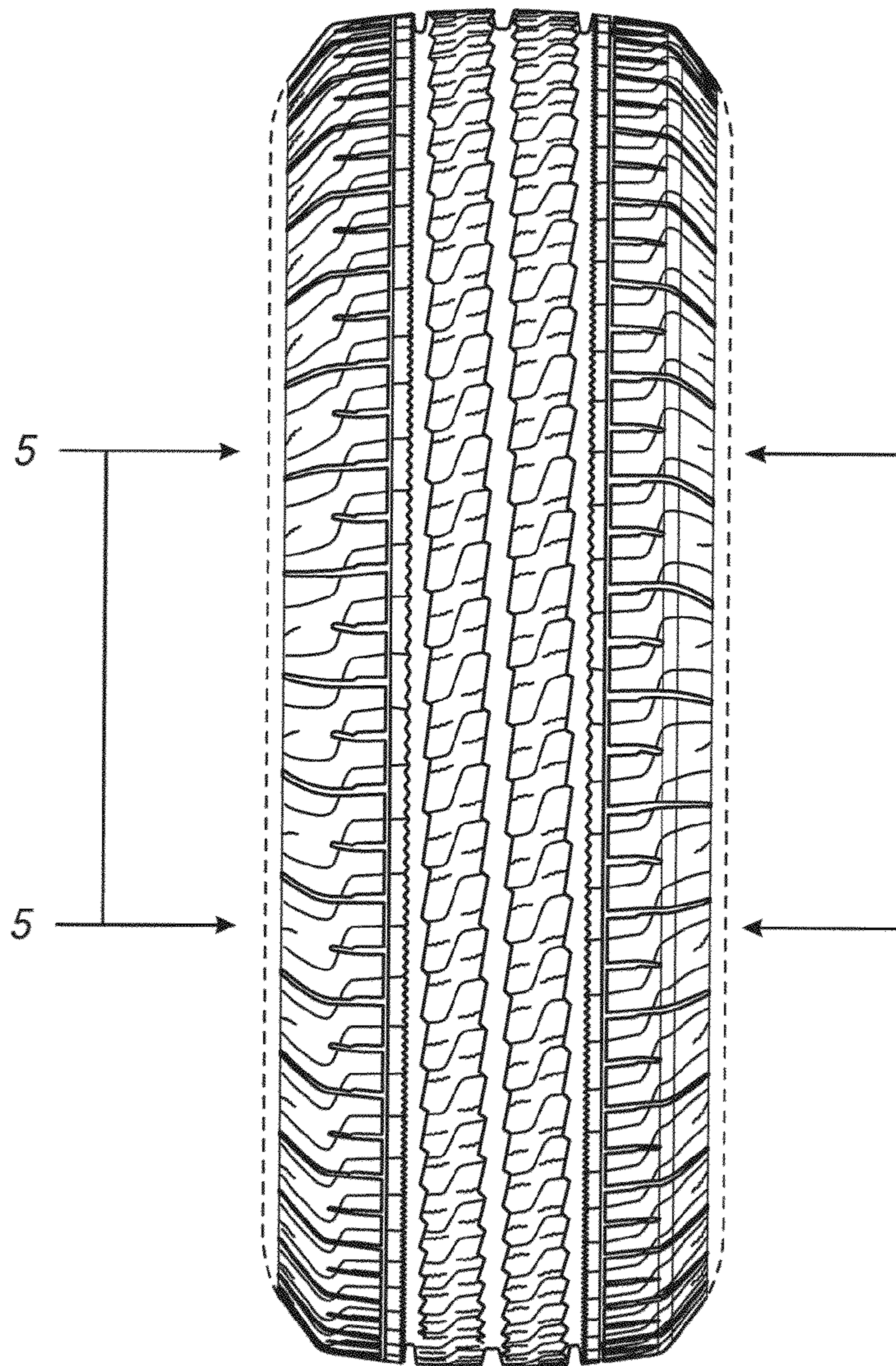


FIG. 2

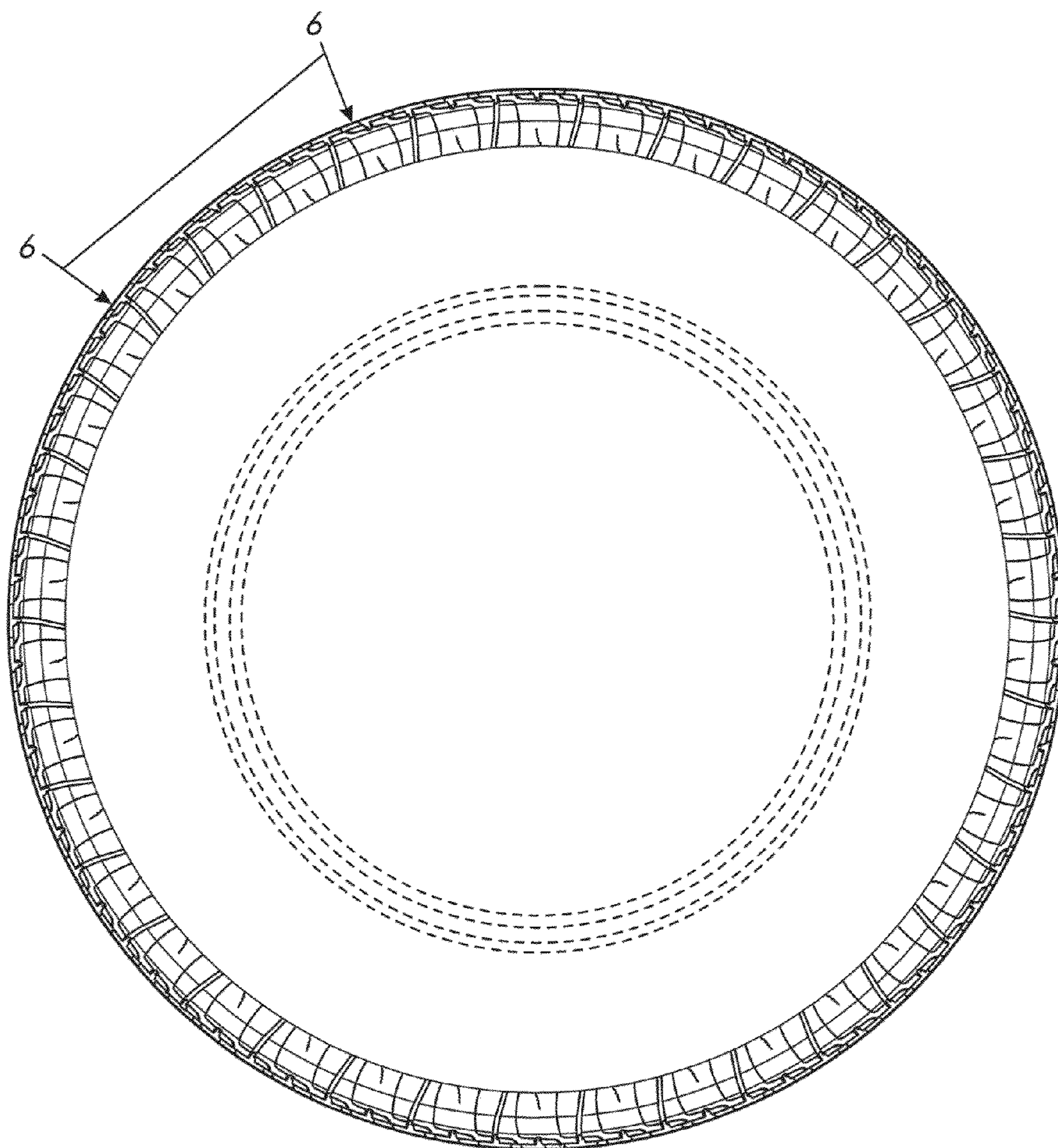


FIG. 3

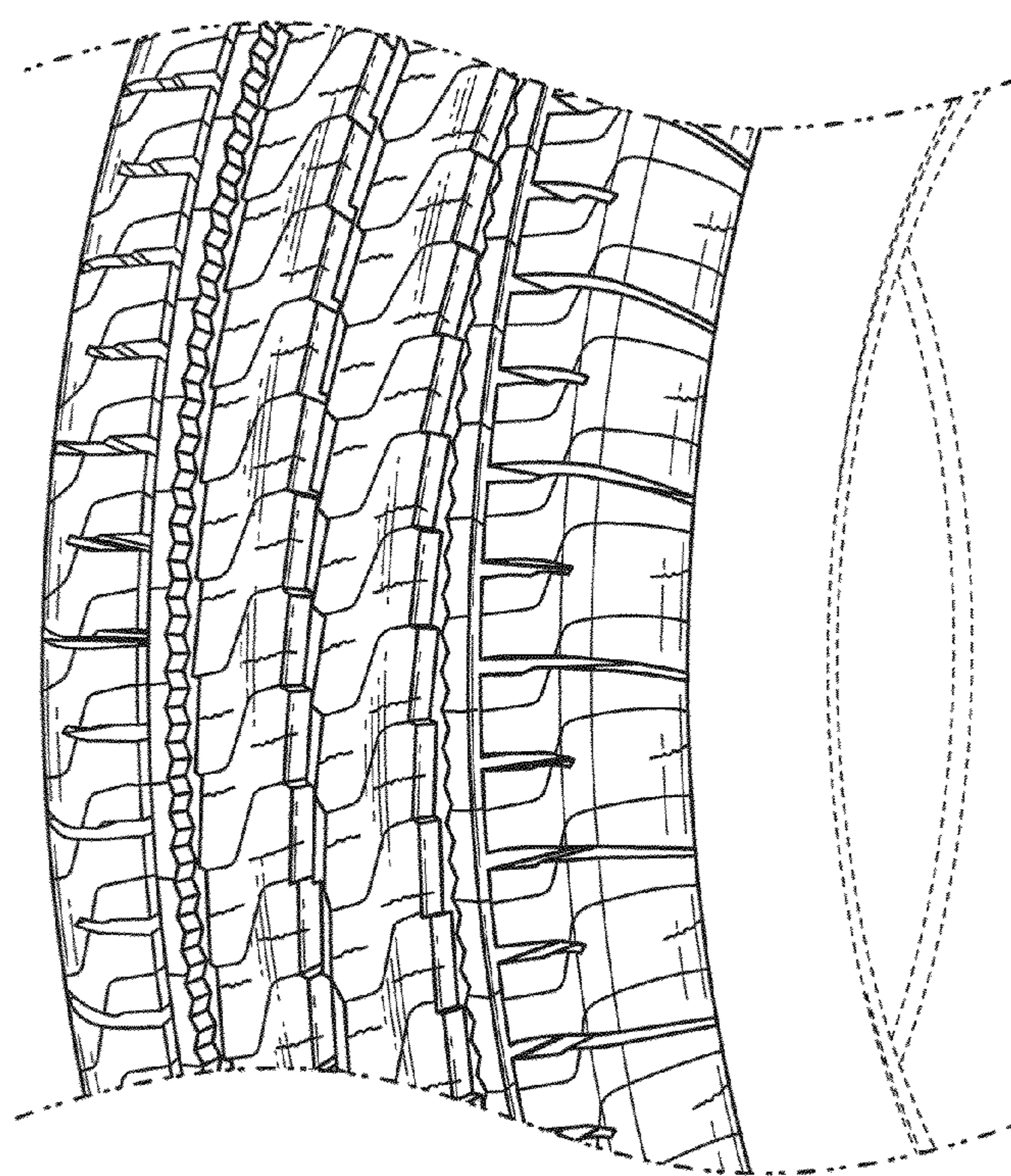


FIG. 4

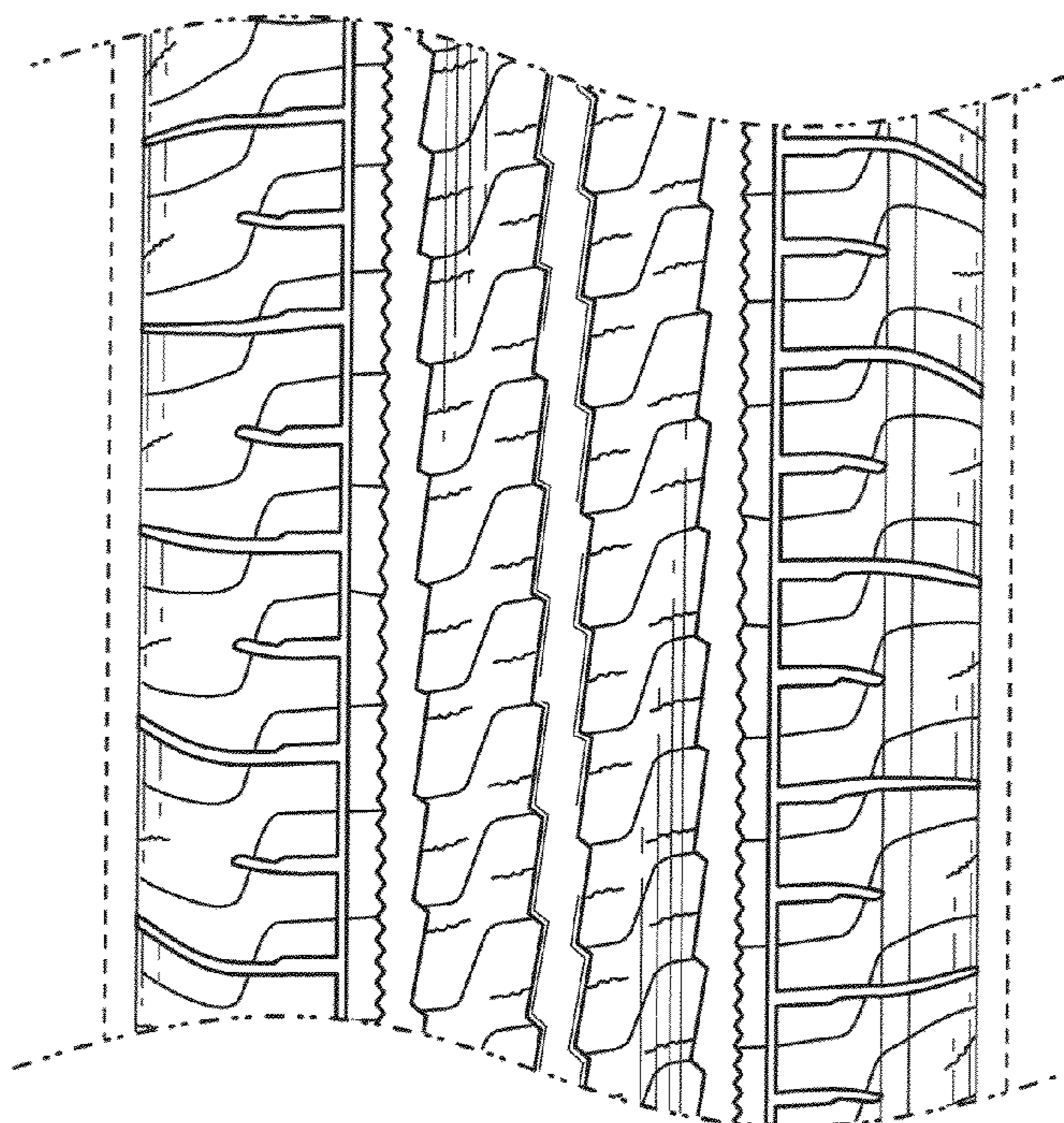


FIG. 5

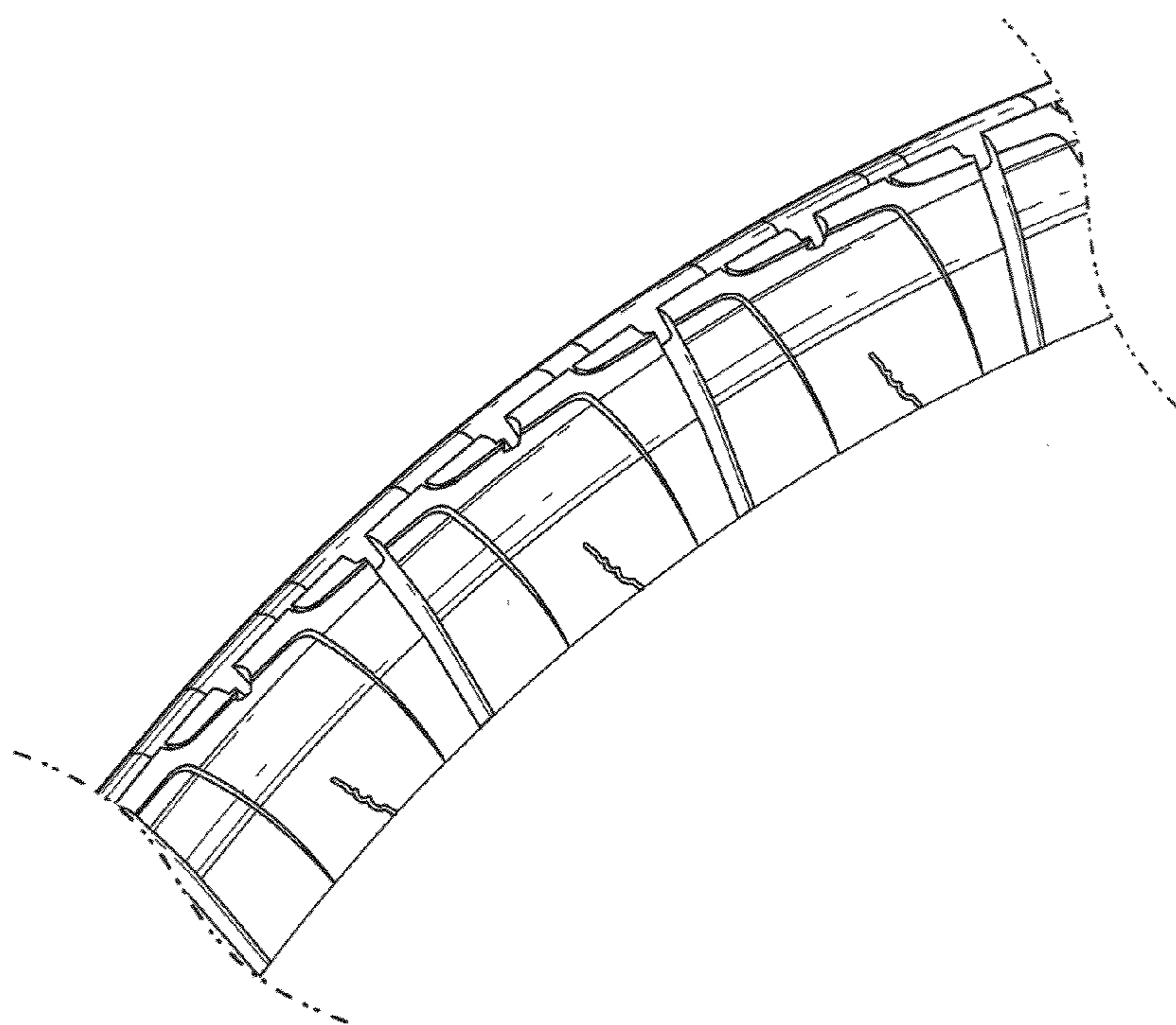


FIG. 6