



US00D758284S

(12) **United States Design Patent**
Ringer et al.

(10) **Patent No.:** **US D758,284 S**
(45) **Date of Patent:** **** Jun. 7, 2016**

(54) **VEHICLE CONTROL INTERFACE**
(71) Applicant: **ET Works, LLC**, Mooresville, IN (US)
(72) Inventors: **Chad Ringer**, Trafalgar, IN (US);
Jarrett Waters, Camby, IN (US); **Adam Minniear**, West Lafayette, IN (US);
Justin Honegger, Plainfield, IN (US)
(73) Assignee: **ET Works, LLC**, Mooresville, IN (US)
(**) Term: **14 Years**
(21) Appl. No.: **29/497,265**

D711,810 S * 8/2014 Matsuo D12/424
D729,144 S * 5/2015 Yamamoto D12/415
D742,299 S * 11/2015 Williams D12/415
D742,300 S * 11/2015 Fontaeus D12/415

* cited by examiner

Primary Examiner — Katrina A Betton
(74) *Attorney, Agent, or Firm* — Maginot, Moore & Beck LLP

(22) Filed: **Jul. 22, 2014**
(51) **LOC (10) Cl.** **12-16**
(52) **U.S. Cl.**
USPC **D12/415**
(58) **Field of Classification Search**
USPC D12/415, 416, 417, 418, 419, 420, 400,
D12/191, 106, 195, 345, 96, 99, 246
CPC B60R 7/08; B60R 7/04
See application file for complete search history.

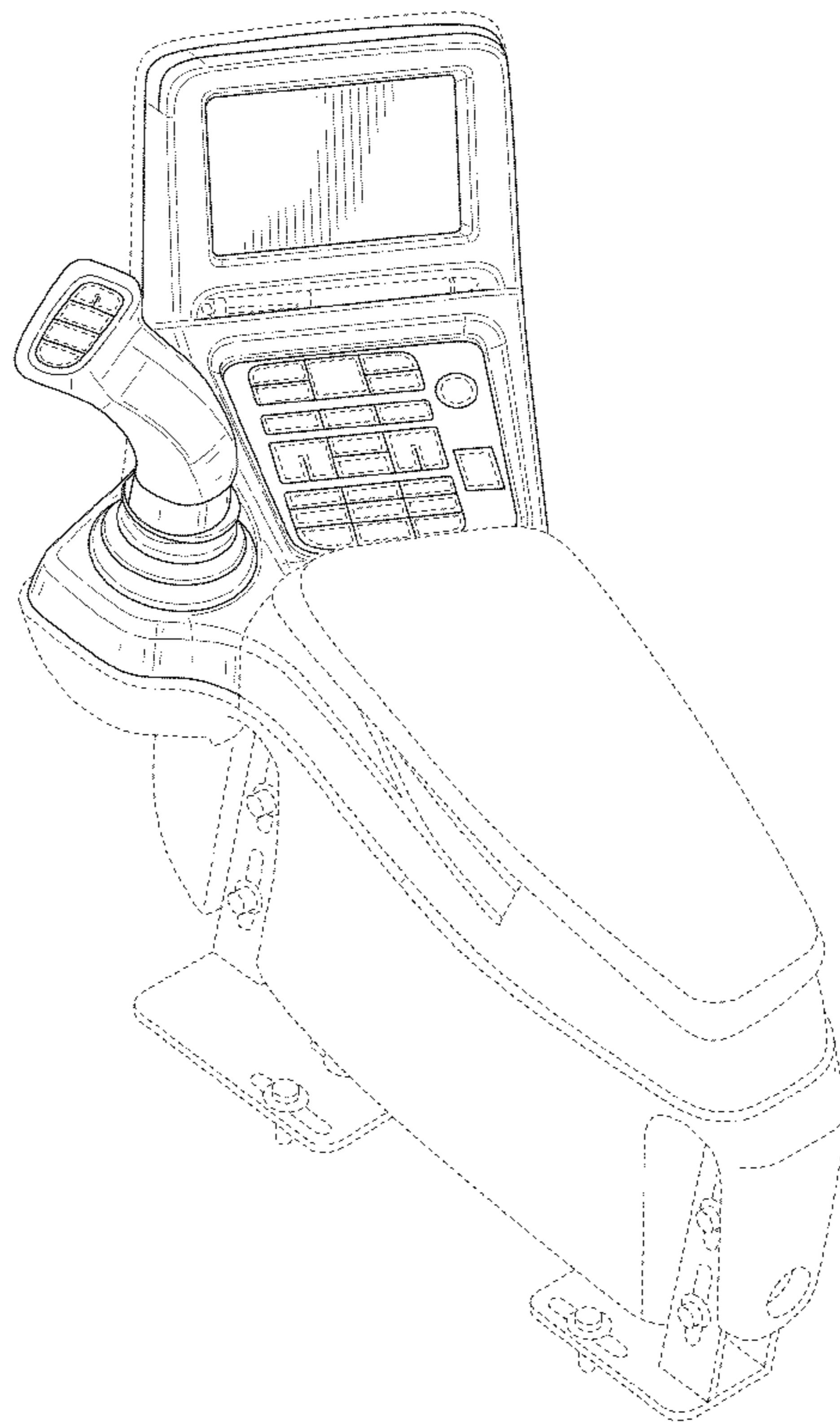
(57) **CLAIM**
The ornamental design for a vehicle control interface, as shown and described.

DESCRIPTION

FIG. 1 is a perspective view of a vehicle control interface showing our new design;
FIG. 2 is a left side elevational view showing the design for the vehicle control interface of FIG. 1;
FIG. 3 is a right side elevational view showing the design for the vehicle control interface of FIG. 1;
FIG. 4 is a front elevational view showing the design for the vehicle control interface of FIG. 1;
FIG. 5 is a top plan view showing the design for the vehicle control interface of FIG. 1; and,
FIG. 6 is a bottom plan view showing the design for the vehicle control interface of FIG. 1.
In the drawings, the broken lines in the figures depict portions of the article that form no part of the claimed design.

(56) **References Cited**
U.S. PATENT DOCUMENTS
7,806,470 B2 * 10/2010 Steege B60N 2/4693
297/188.17
D632,639 S * 2/2011 Rosenbohm D12/415
D673,496 S * 1/2013 Kikuta D12/415
D710,785 S * 8/2014 Jacobsthal D12/415

1 Claim, 6 Drawing Sheets



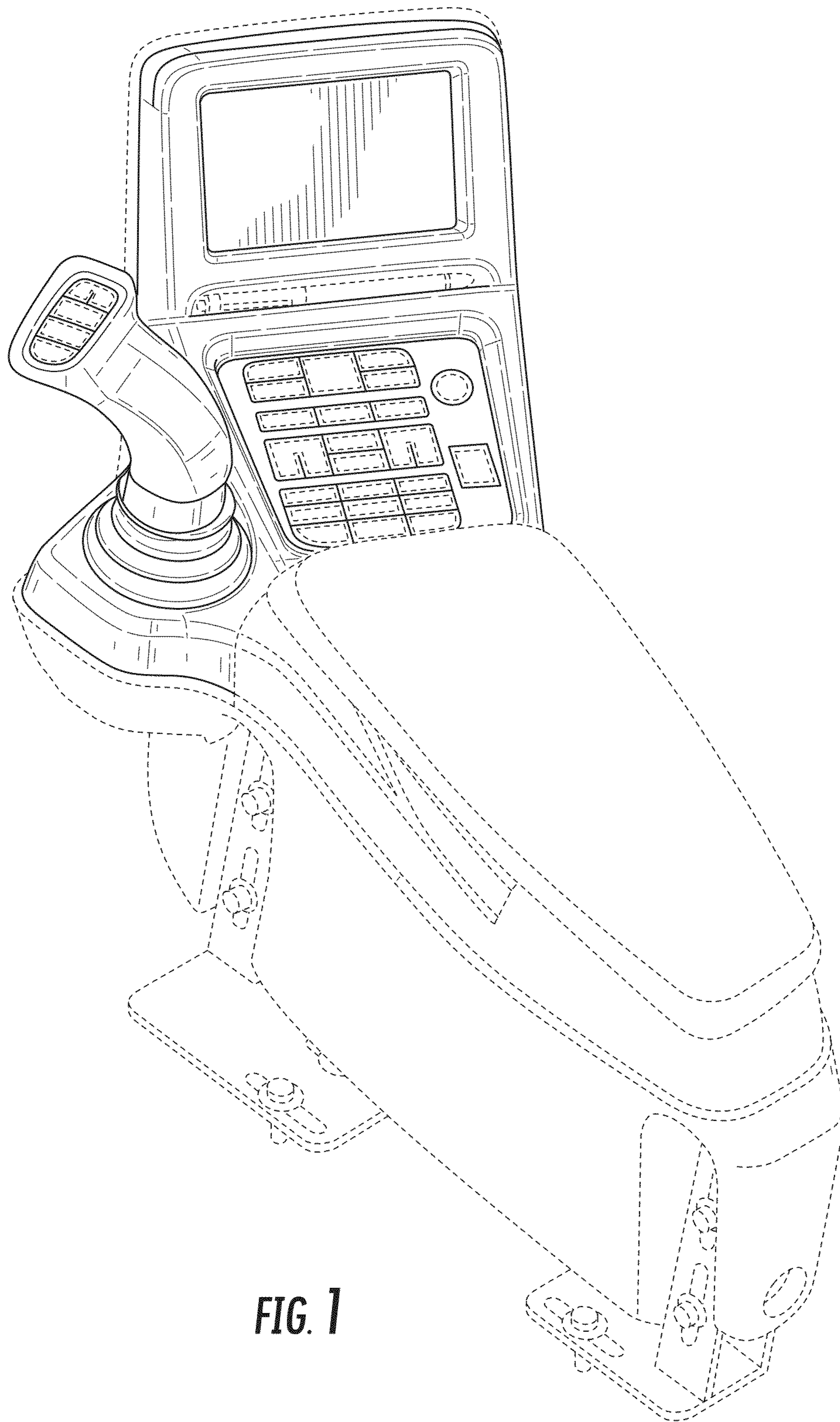


FIG. 1

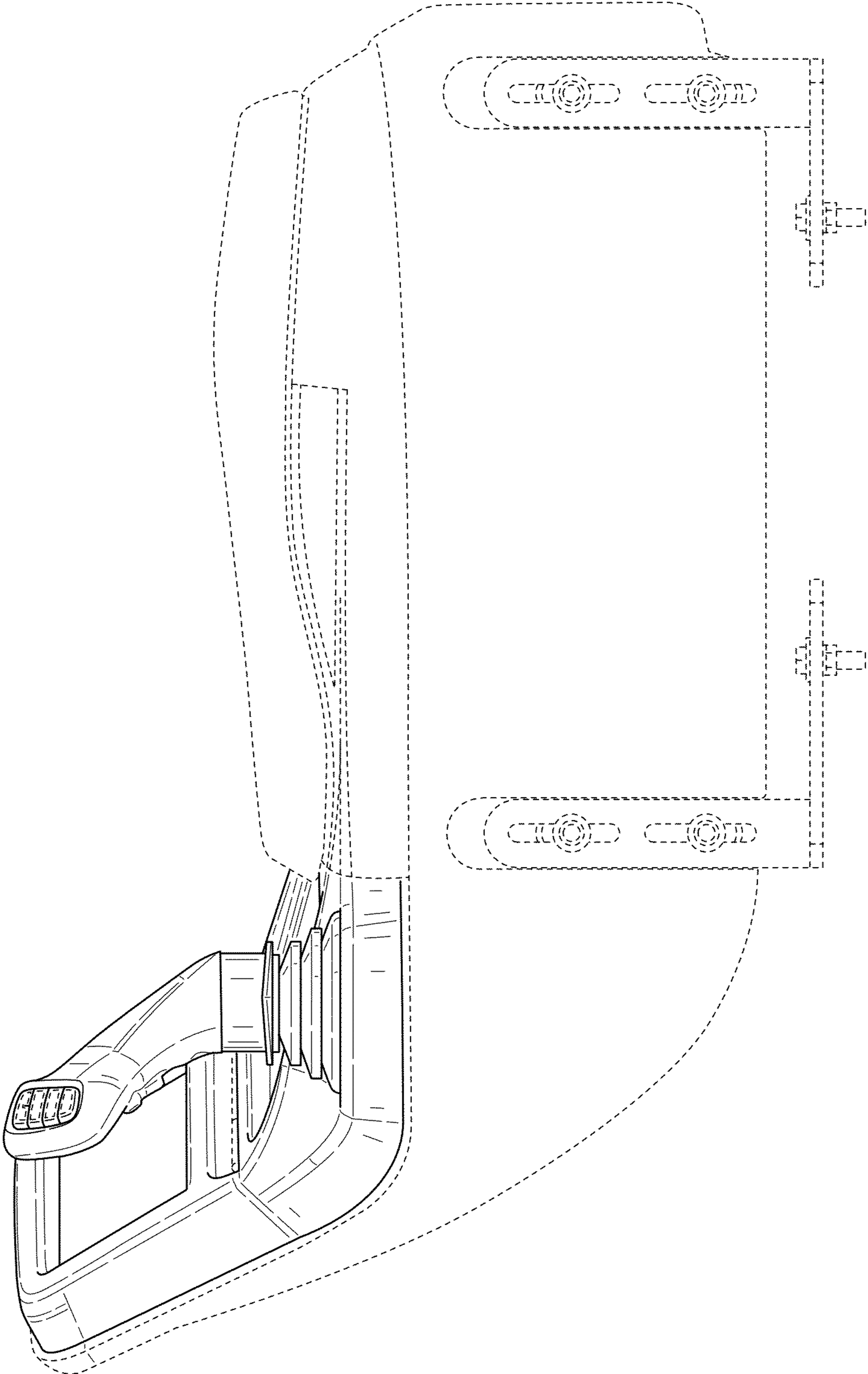


FIG. 2

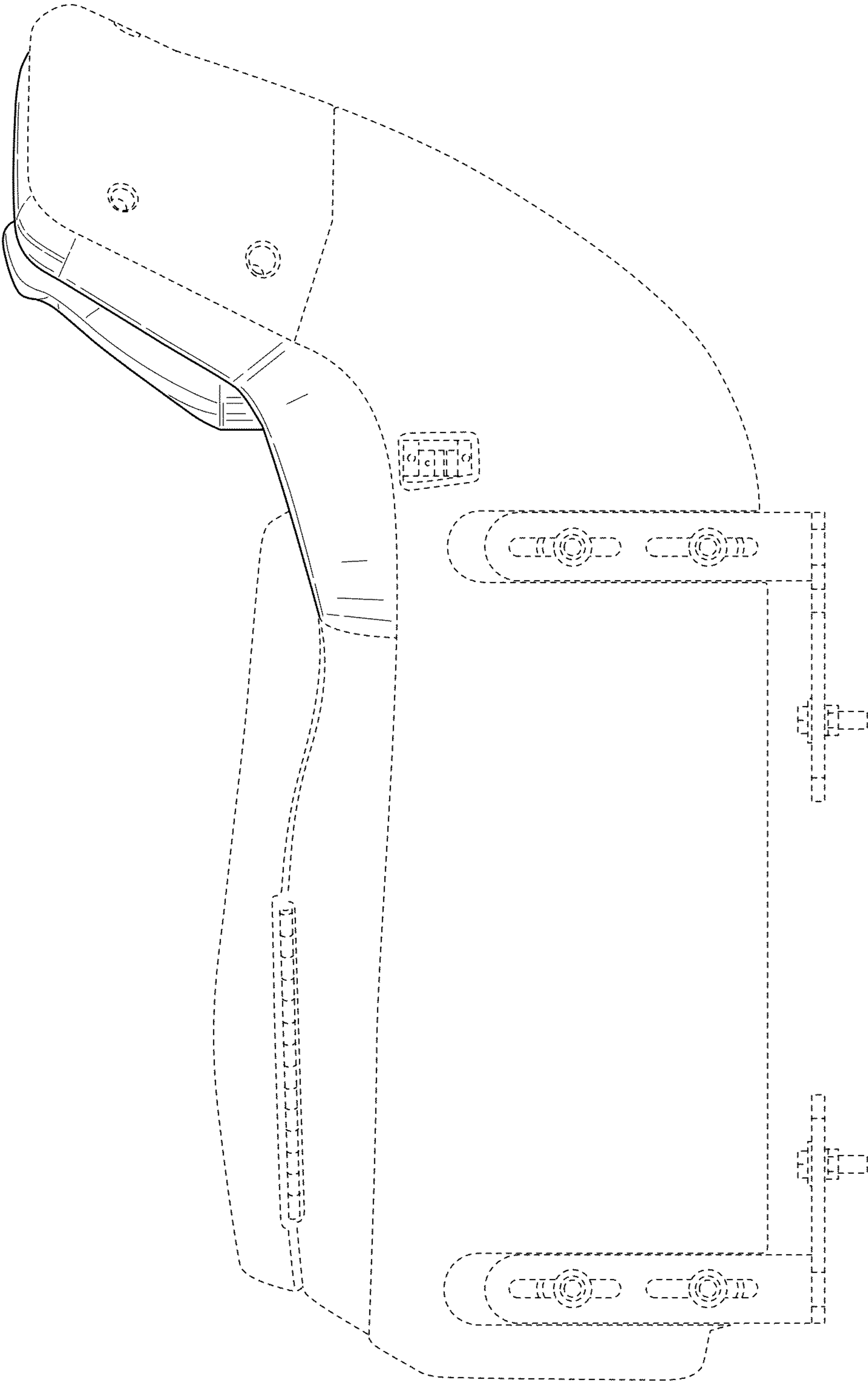


FIG. 3

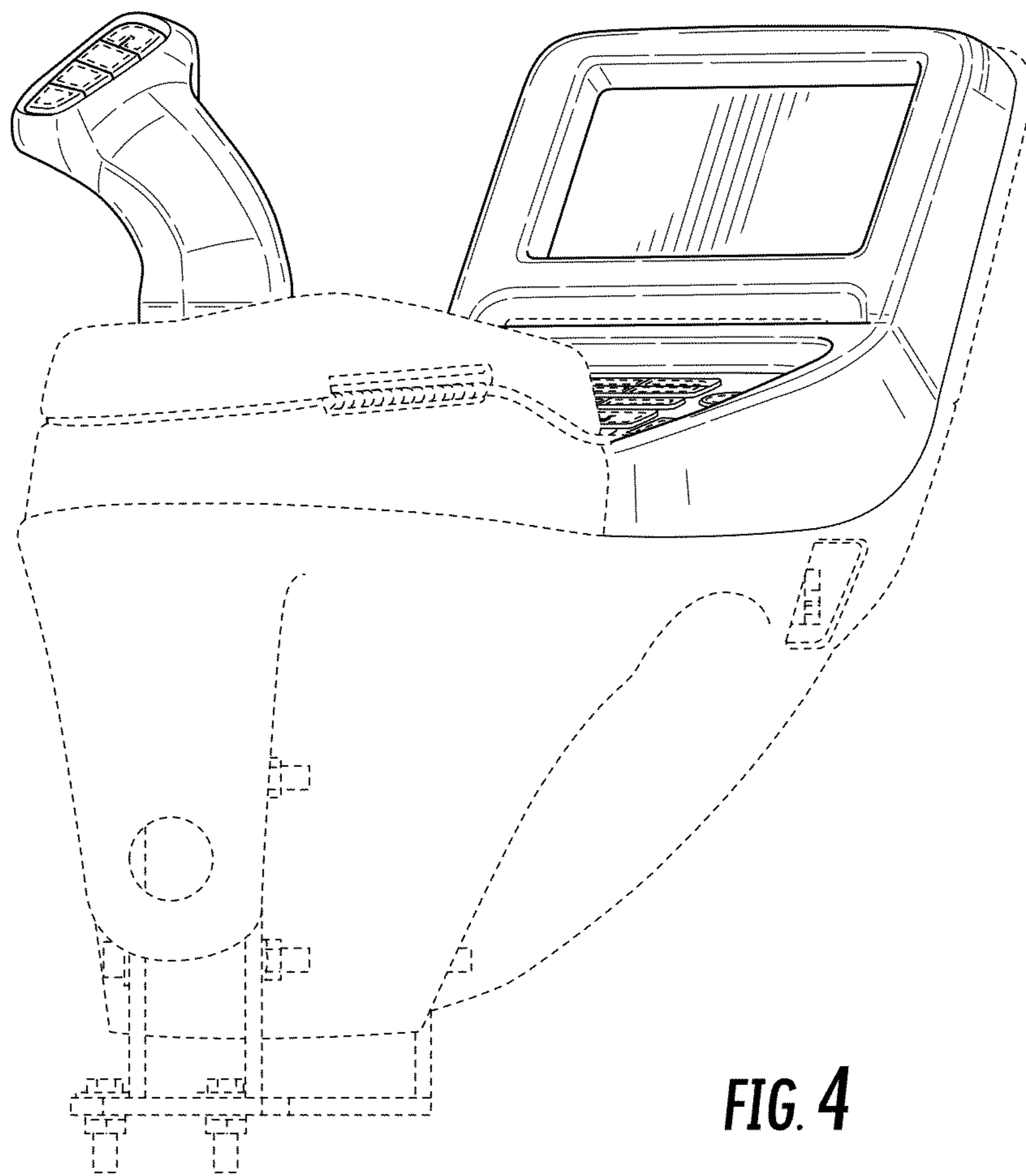


FIG. 4

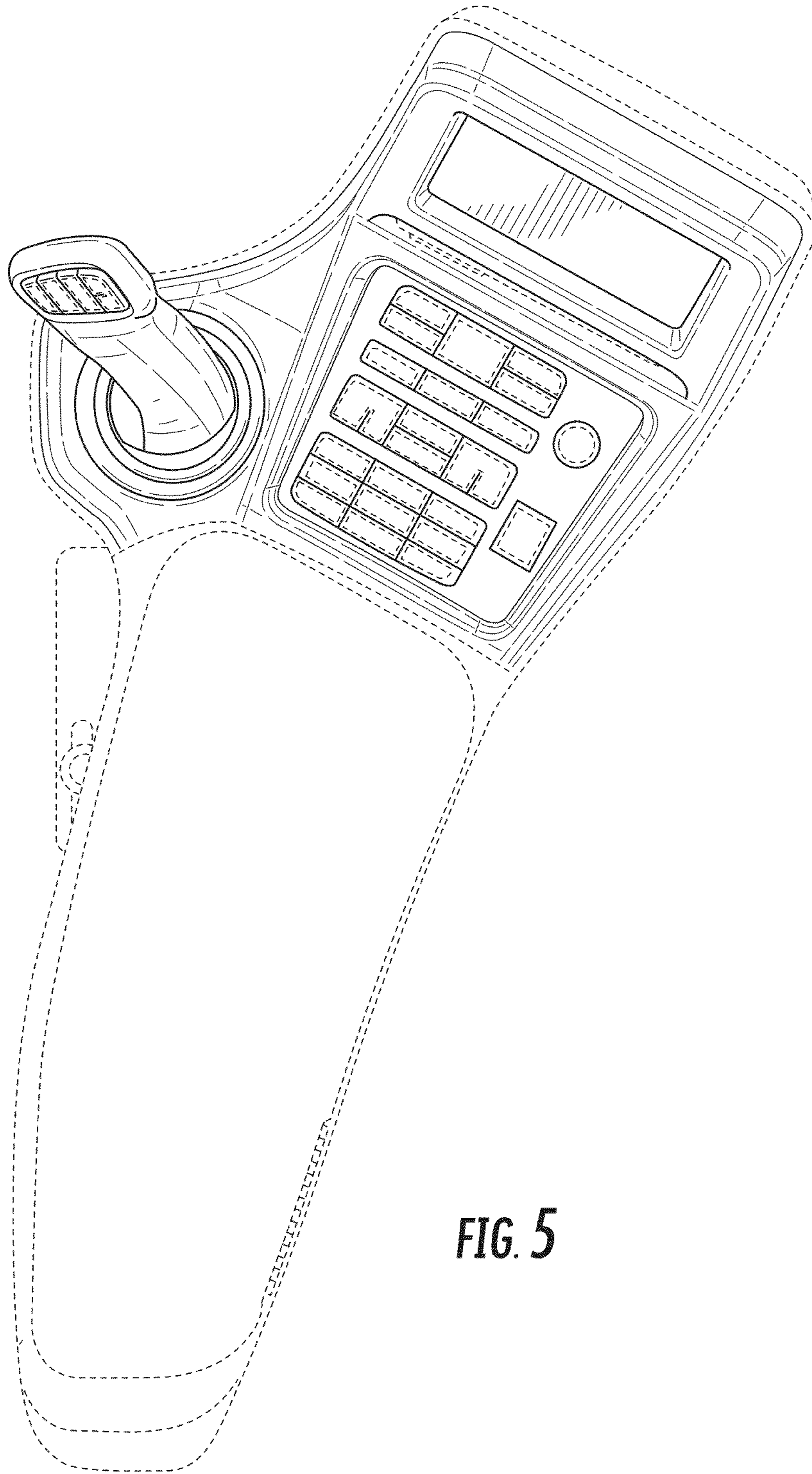


FIG. 5

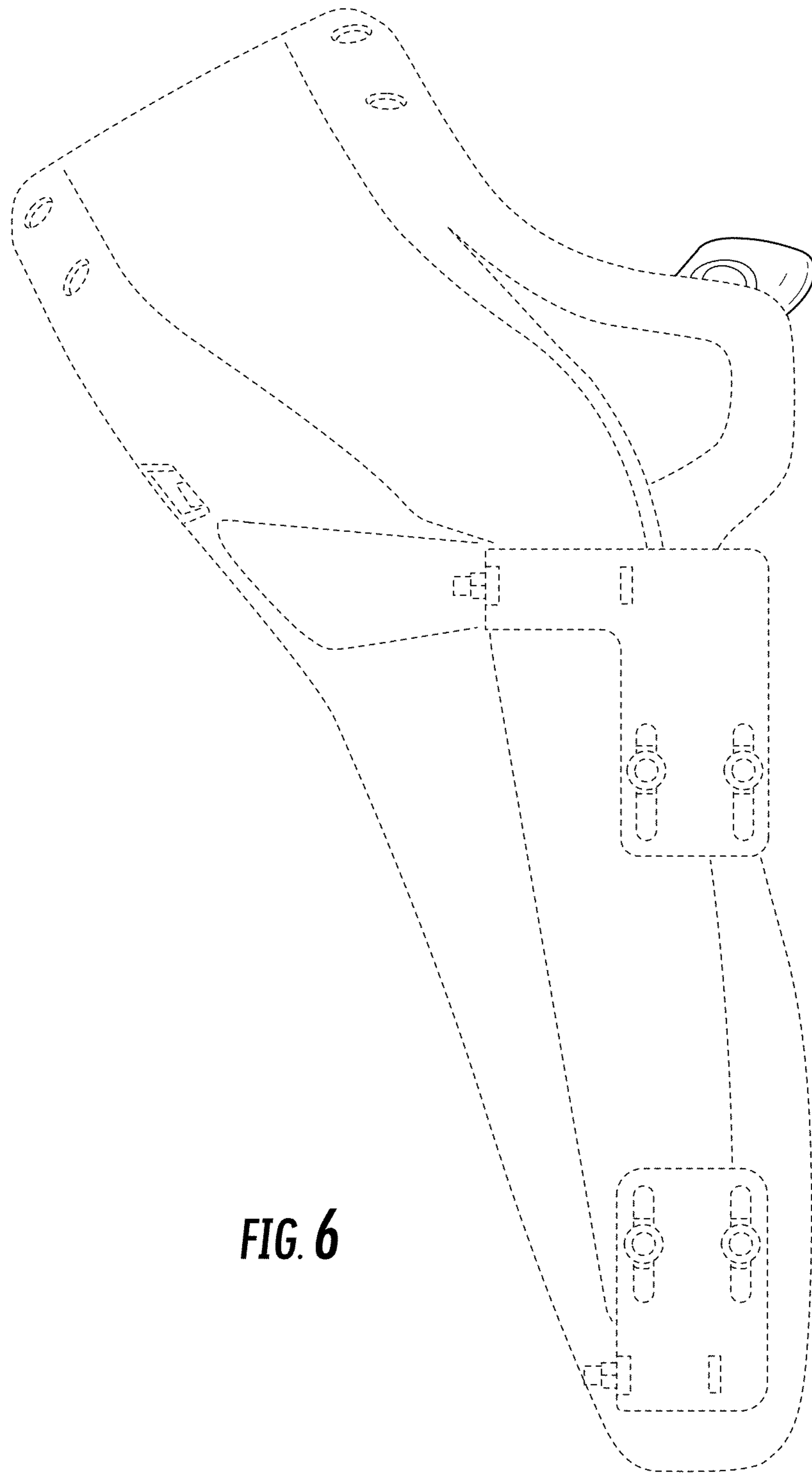


FIG. 6